

# **P**ARTS MANUAL

---

## *70F Fork Clamp*

*Manual Number 228957 R-0*

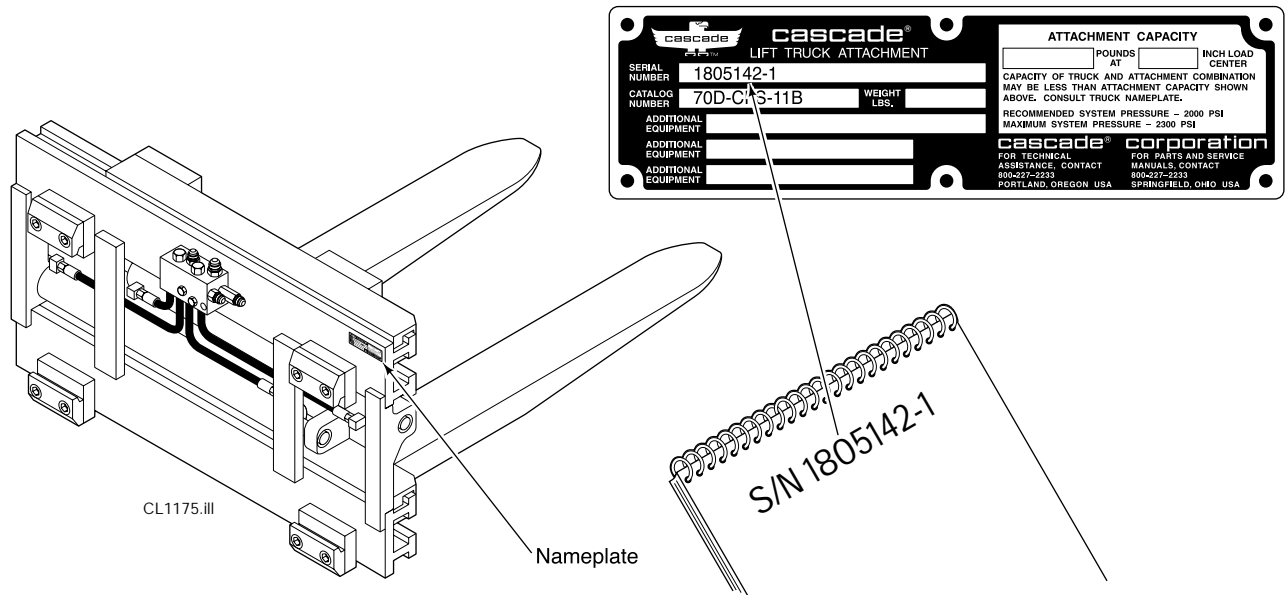
**cascade**<sup>®</sup>

Cascade is a Registered Trademark of Cascade Corporation

# About This Manual

## Introduction

This Manual shows the parts breakdown for standard production 70F Fork Clamps. Locate the product nameplate on the baseplate as shown below. If the nameplate is missing, all necessary information is stamped into the baseplate at the same location. The serial number must be used when ordering replacement parts for this product.



## Ordering Parts

**Customers** – Cascade parts and service literature is available through authorized lift truck dealers. To place an order, contact the lift truck dealer of your choice.

**Lift Truck Dealers** – To order parts and service literature contact:

**Cascade Parts Sales**  
2501 Sheridan Avenue  
Springfield, OH 45505  
Telephone: 888-CASCADE (227-2233)  
FAX: 888-329-0234

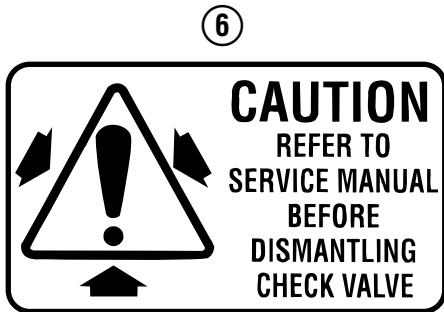
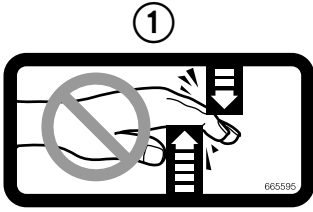


**WARNING:** For safety of yourself and others, DO NOT install the parts shown in this manual unless you have thoroughly reviewed the appropriate Service Manual.

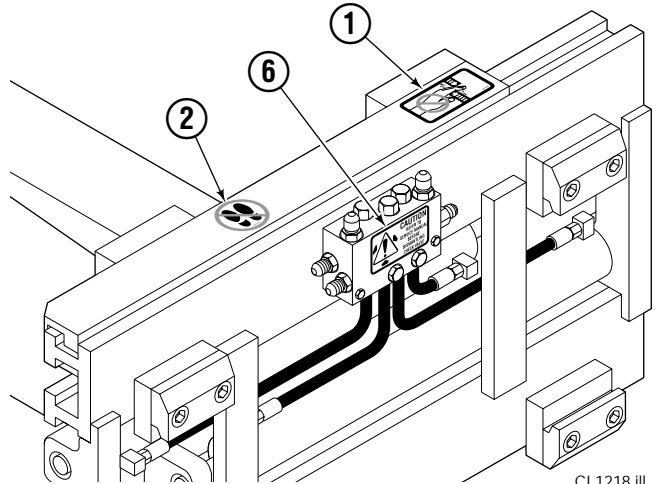
# Product Identification Index

70F Fork Clamps										
Model Type	Serial Number	Frame Group	Cylinder Group	Valve Group	Fittings	Hose Group	Bale Arm	Fork Arm	Arm Bases	Mount Group
70F-CFS-11B	1805142	1	2	3	4	5	-	6	-	7, 8
70F-CFS-11C	1805143	1	2	3	4	5	-	6	-	7, 8
70F-CFS-12B	1805144	1	2	3	4	5	-	6	-	7, 8
70F-CFS-12C	1805145	1	2	3	4	5	-	6	-	7, 8
70F-CFS-13B	1805146	1	2	3	4	5	-	6	-	7, 8
70F-CFS-13C	1805147	1	2	3	4	5	-	6	-	7, 8
70F-CFS-14B	1805148	1	2	3	4	5	-	6	-	7, 8
70F-CFS-14C	1805149	1	2	3	4	5	-	6	-	7, 8

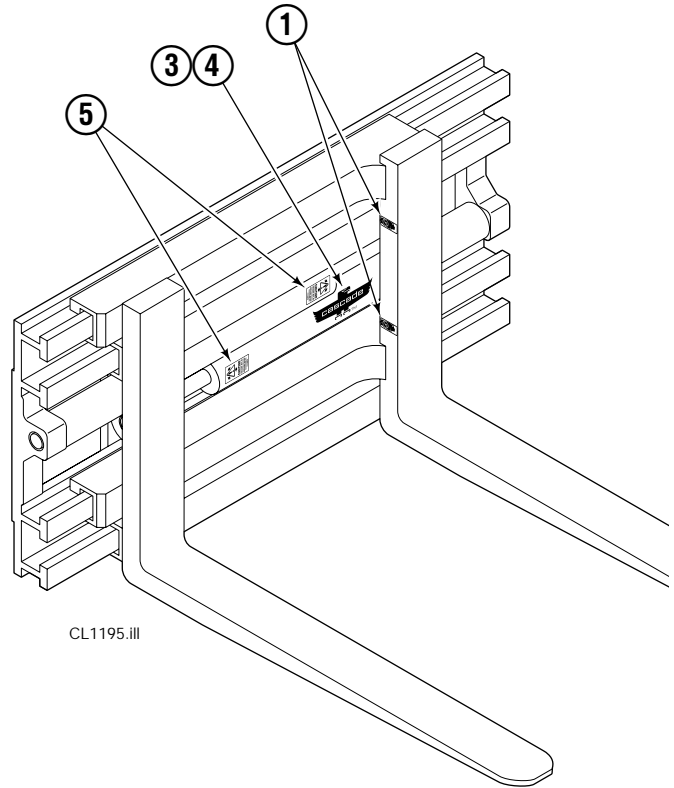
# Decals



CL0941.iii



CL1218.iii

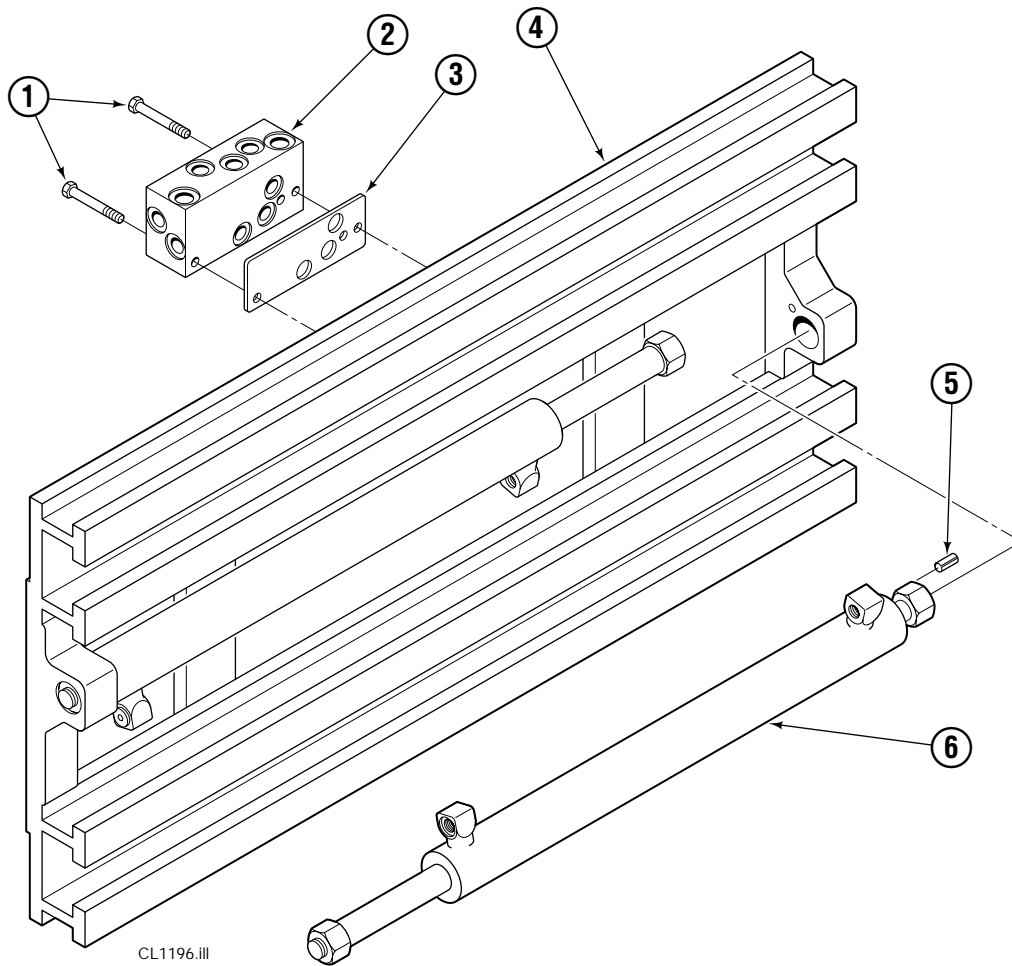


CL1195.iii

All Clamps			
REF	QTY	PART NO.	DESCRIPTION
1	12	665595	No Hand Hold Decal
2	6	679150	No Step Decal
3	1	211274	Eagle - 80 mm
4	2	211276	Eagle - 240 mm
5	2	665677	Pressure Warning
6	2	18018269	Pressure Warning

# Frame Group

## Rear Mounted Valve

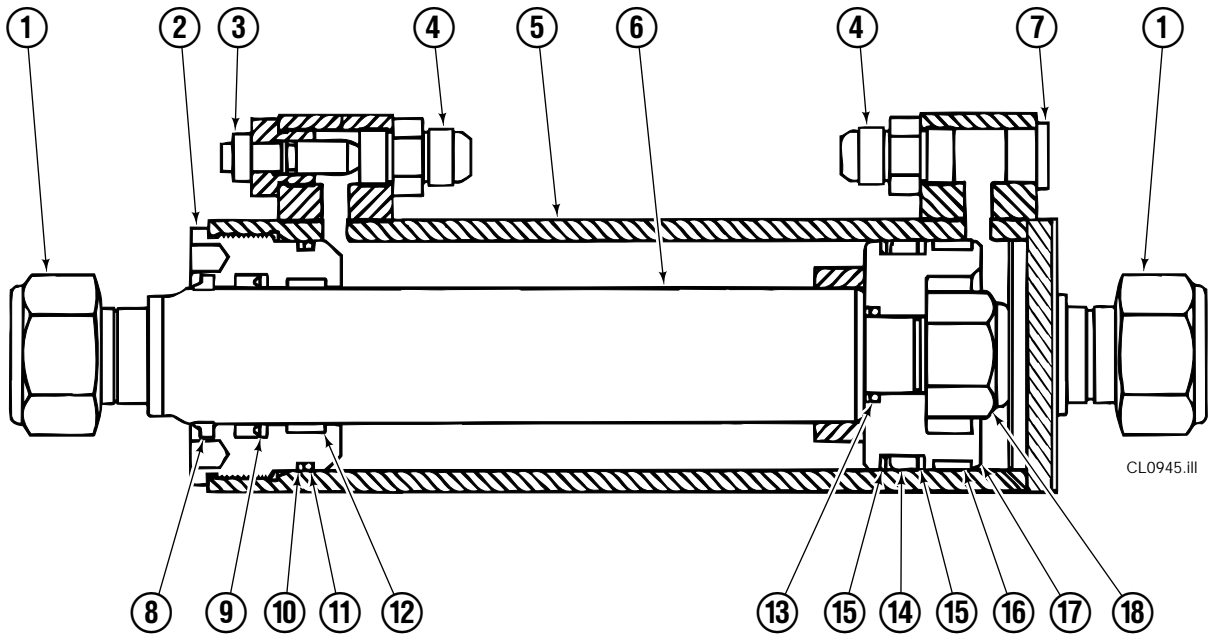


<b>70F</b>				
<b>REF</b>	<b>QTY</b>	<b>Class III PART NO.</b>	<b>Class IV PART NO.</b>	<b>DESCRIPTION</b>
1	2	768532	768532	Capscrew, M8x1.25x75L
2	1	1808009	1808009	Valve Assembly – Rear Mount ★
3	1	1808045	—	Spacer Plate
4	1	1803326	1803326	Frame Assembly – 1270mm (51.0 in.)
5	2	769028	769028	Roll Pin
6	2	1806044	1806044	Cylinder – 1270mm (51.0 in.) ●

★ See Valve page for parts breakdown.

● See Cylinder page for parts breakdown.

# Cylinder – 3 in. Bore



## 70F

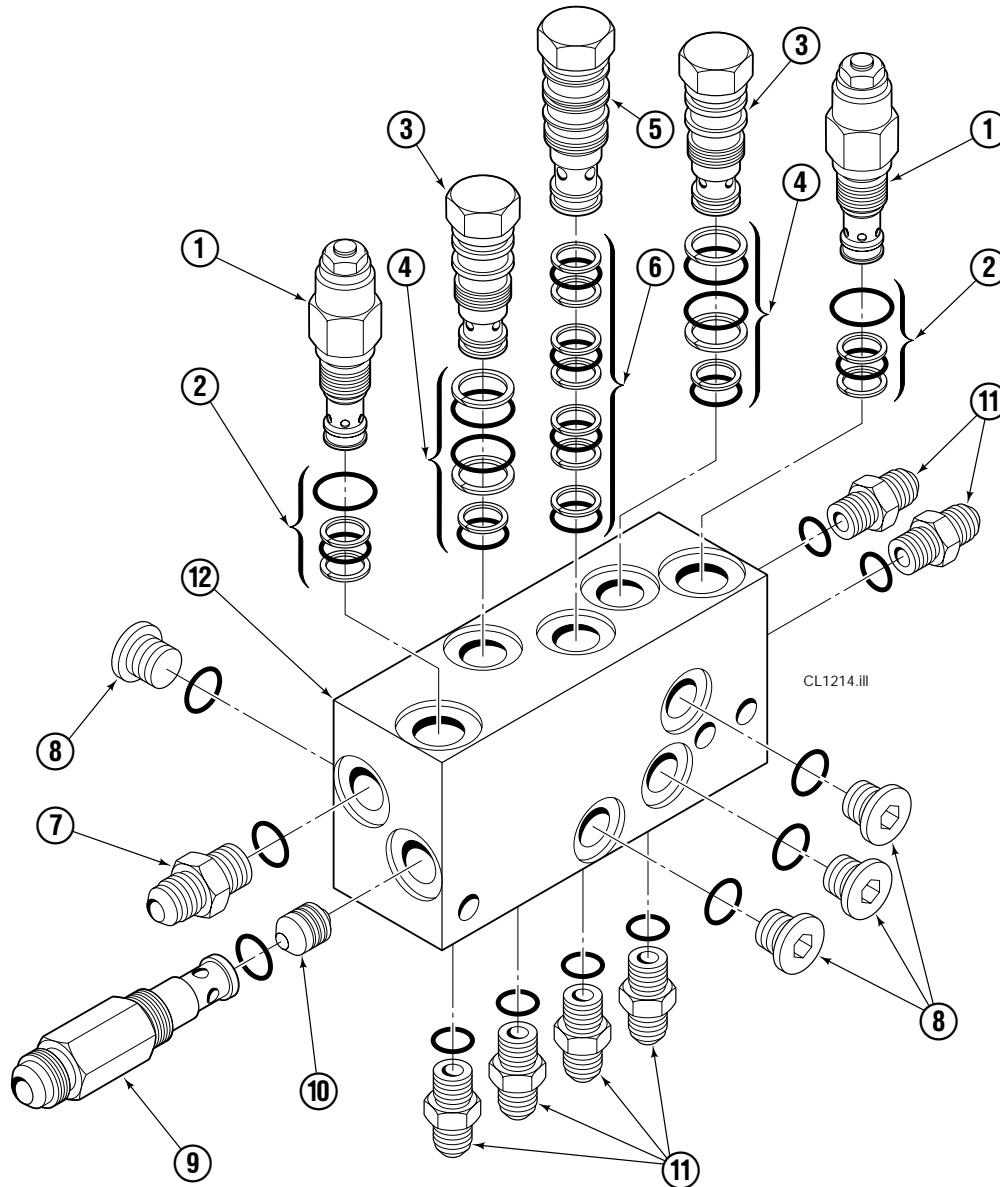
REF	QTY	PART NO.	DESCRIPTION
		1806044	Cylinder
1	2	1806049	Nut
2	1	1802264	Gland Nut
3	1	1806002	● Restrictor Cartridge
4	2	601377	Fitting, 8-8
5	1	1807060	Barrel
6	1	1802187	Rod
7	1	602580	Plug
8	1	644691	◆ Wiper
9	1	1808275	◆ Seal
10	1	615136	◆ Backup Ring
11	1	2793	◆ O-ring
12	1	660759	◆ Wear Ring
13	1	2714	◆ O-ring
14	1	1808275	◆ Seal
15	2	1802323	◆ Backup Ring
16	1	660765	◆ Wear Ring
17	1	1802263	Piston
18	1	1808267	Nut
	1	1808204	Service Kit

◆ Included in Service Kit 1808204.

● See Restrictor Cartridge page for parts breakdown.

# Valve Assembly

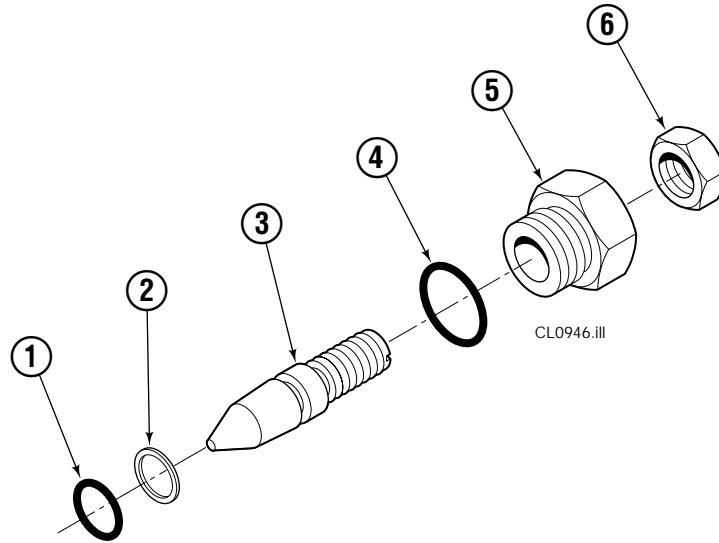
## Relief on Open/Close/Sideshift



70F			
REF	QTY	PART NO.	DESCRIPTION
		1808009	Valve Assembly
1	2	1808248	Relief Valve
	2	1808329	◆ Seal Kit
3	2	659058	Check Valve
4	2	661347	◆ Seal Kit
5	1	204922	Check Valve
6	1	1808326	◆ Seal Kit
7	1	601377	Fitting, 8-8
8	4	604510	Plug
9	1	1808032	Fitting, Extended
10	1	1808033	Plunger
11	6	604511	Fitting, 6-6
12	1	1808038	Valve Body
	1	1808332	Service Kit

◆ Included in Service Kit 1808332

# Restrictor Cartridge



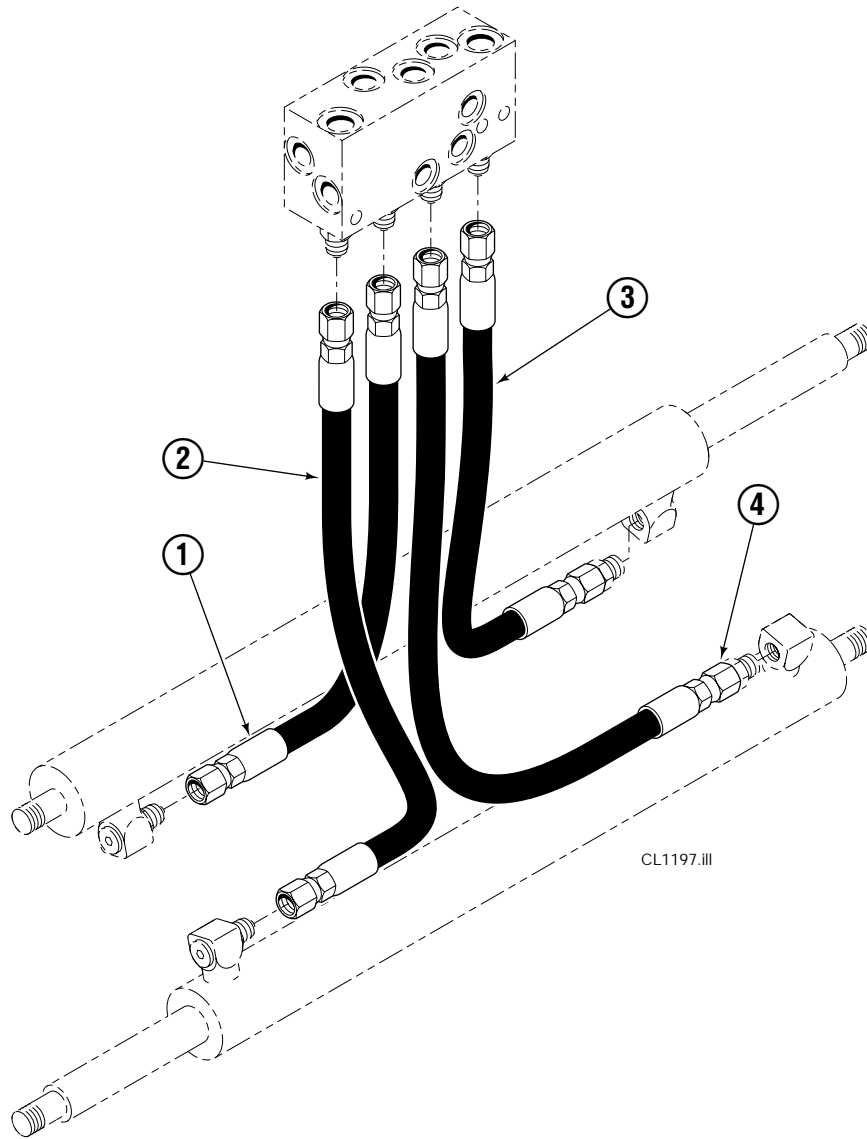
70F			
REF	QTY	PART NO.	DESCRIPTION
		1806002	Restrictor Cartridge
1	1	2841	◆ O-Ring
2	1	615005	◆ Backup Ring
3	1	1802032	Plunger
4	1	2701	◆ O-ring
5	1	1802031	Body
6	1	5768	Lock Nut
	1	1808201	Service Kit

◆ Included in Service Kit 1808201.



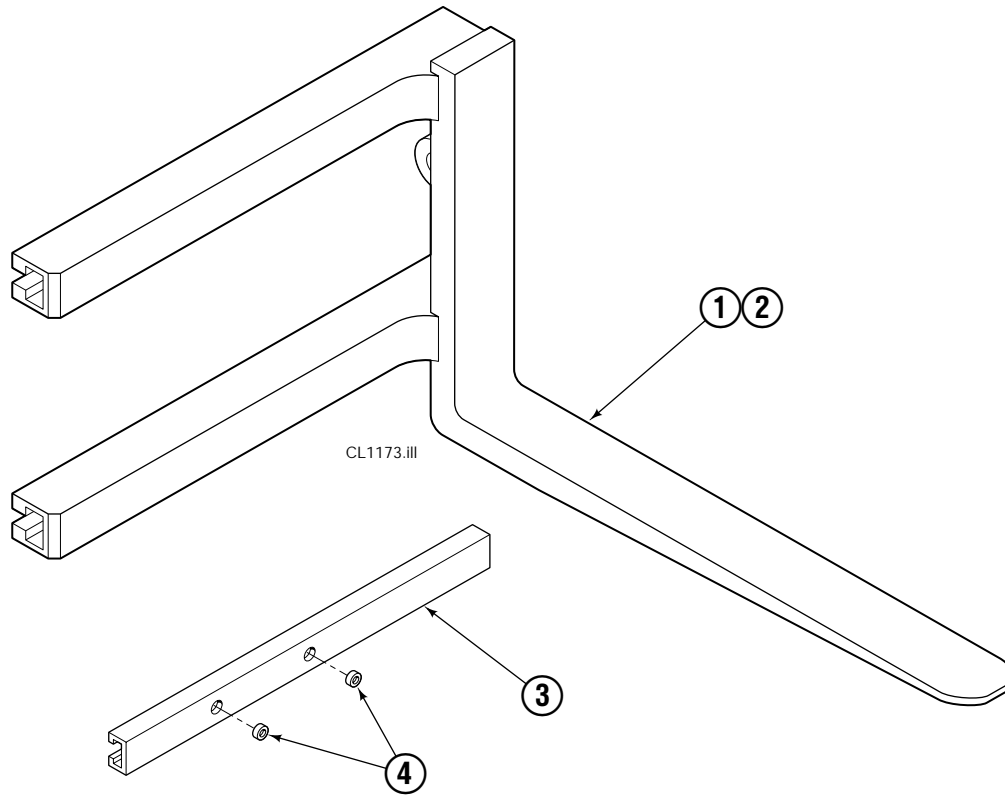
# Hose Group

## Rear Mounted Valve



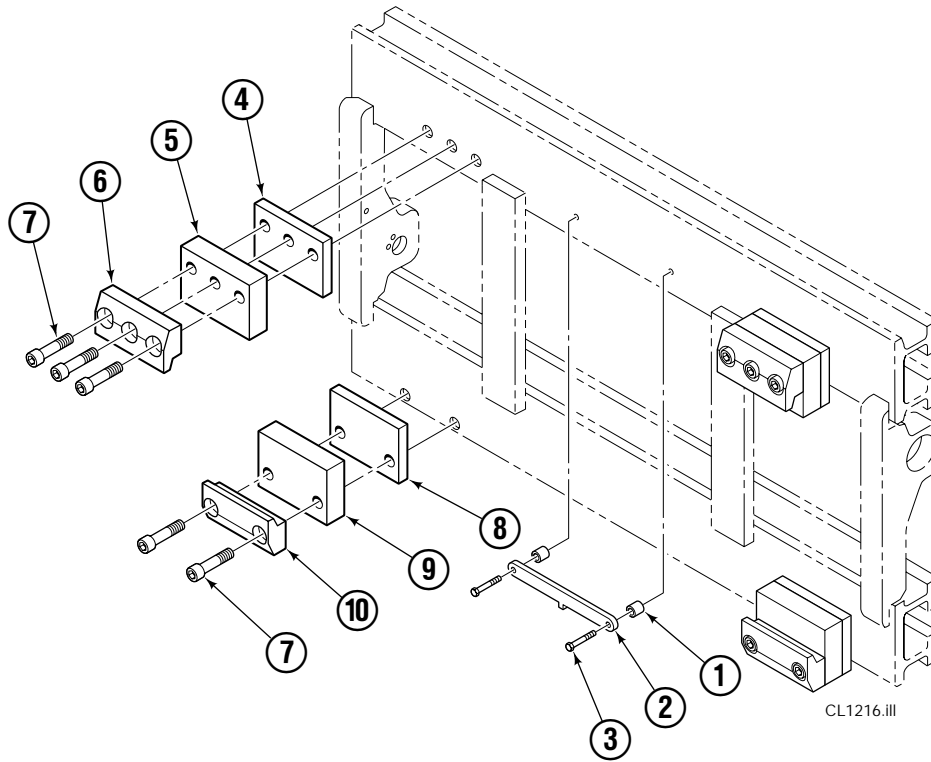
<b>70F</b>				
REF	QTY	Class III PART NO.	Class IV PART NO.	DESCRIPTION
		1808130	—	Hose Group
1	1	1801859	1801863	Hose
2	1	1801860	1801864	Hose
3	1	1801861	1801865	Hose
4	1	1801862	1801866	Hose

# Pallet Fork Arms

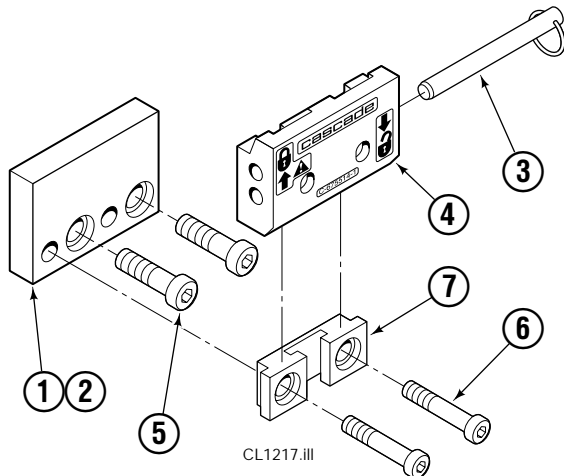


70F						
REF	QTY	Fork Arms – L x W (mm)				DESCRIPTION
		1070x125 PART NO.	1220x125 PART NO.	1370x125 PART NO.	1525x150 PART NO.	
1	1	1803234	1803235	1803236	1803237	Fork Arm, RH
2	1	1803268	1803269	1803270	1803271	Fork Arm, LH
3	2	1808077	1808077	1808077	1808077	Bearing
4	6	1800038	1800038	1800038	1800038	Retainer Plugs

# Class III Mounting Group

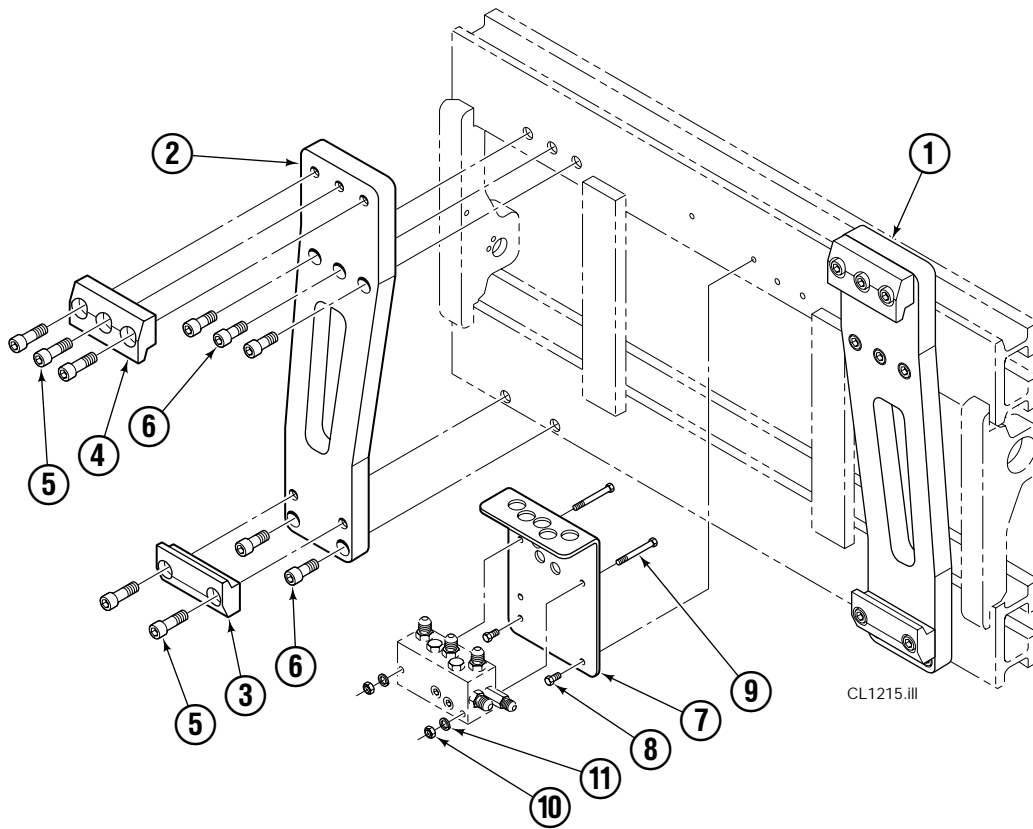


70F – Class III			
REF	QTY	PART NO.	DESCRIPTION
1	2	1800104	Spacer
2	1	1800315	Bracket
3	2	1808277	Capscrew
4	2	1800188	Spacer, 5mm
5	2	1800004	Packer, 25mm
6	2	1800020	Upper Hook
7	10	769584	Capscrew, M20 x 70
8	2	1800189	Spacer, 5mm
9	2	1800003	Packer, 25mm
10	2	1800023	Lower Hook



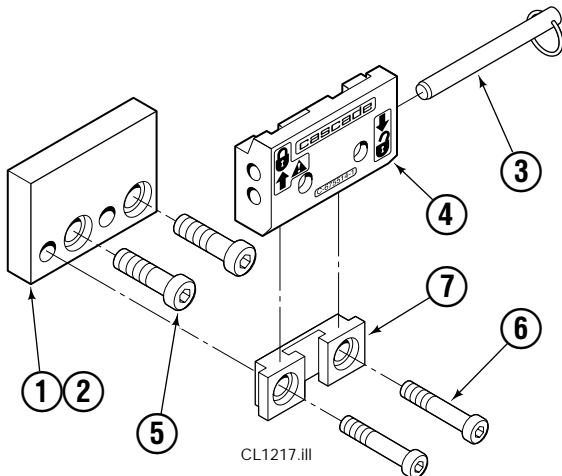
Class III – QD Hooks			
REF	QTY	PART NO.	DESCRIPTION
1	1	1800570	Adapter Plate, RH
2	1	1800571	Adapter Plate, LH
3	2	678832	Pin
4	2	675957	Lower Hook
5	4	775559	Capscrew
6	4	622467	Capscrew
7	2	675958	Guide

# Class IV Mounting Group



## 70F – Class IV

REF	QTY	PART NO.	DESCRIPTION
1	1	1800607	Adapter, RH
2	1	1800608	Adapter, LH
3	2	1800454	Lower Hook
4	2	1800568	Upper Hook
5	10	769582	Capscrew, M20 x 50
6	10	769579	Capscrew, M20 x 40
7	1	1808049	Valve Mounting Plate
8	2	767961	Capscrew, M8 x 16
9	2	768532	Capscrew, M8 x 75
10	2	767414	Nut, M8
11	2	787398	Washer, M8



## Class IV – QD Hooks

REF	QTY	PART NO.	DESCRIPTION
1	1	—	Adapter Plate, RH
2	1	—	Adapter Plate, LH
3	2	679831	Pin
4	2	679829	Lower Hook
5	4	622467	Capscrew
6	4	638601	Capscrew
7	2	679830	Guide

**Do you have questions you need answered right now?** Call your nearest Cascade Parts Department.

**Cascade Corporation**  
2501 Sheridan Avenue  
Springfield, OH 45505  
Tel: 888-CASCADE (227-2233)  
FAX: 888-329-0234

**Cascade Canada Inc.**  
5570 Timberlea Blvd.  
Mississauga, Ontario  
Canada L4W-4M6  
Tel: 905-629-7777  
FAX: 905-629-7785

**Cascade GmbH**  
D-41199 Monchengladbach  
Klosterhofweg 52  
Germany  
Tel: 21-66-602091  
FAX: 21-66-680947

**Cascade Finland**  
01370 Vantas  
Finland  
Tel: 358-0-836-1925  
FAX: 358-0-836-1935

**Cascade N.V.  
European Headquarters**  
P.O. Box 3009  
1300 El Almere  
Damsluisweg 56  
1332 ED Almere  
The Netherlands  
Tel: 31-36-5492911  
FAX: 31-36-5492964

**Cascade N.V.  
Benelux Sales and Service**  
P.O. Box 3009  
1300 El Almere  
Damsluisweg 56  
1332 ED Almere  
The Netherlands  
Tel: 31-36-5492950  
FAX: 31-36-5492974

**Cascade (UK) Ltd.**  
15, Orgreave Crescent  
Dore House Industrial Estate  
Handsworth  
Sheffield S13 9NQ  
England  
Tel: 742-697524  
FAX: 742-695121

**Cascade Scandinavia  
Hydraulik A.B.**  
Muskötgatan 19, E8-9  
S25466 Helsingborg  
Sweden  
Tel: 42-151135  
FAX: 42-152997

**Cascade Norway**  
Østerliveien 37A  
1153 Oslo  
Norway  
Tel: 47-22-743160  
FAX: 47-22-743157

**Cascade France S.A.R.L.**  
11, Rue Jean Charcot  
Zone Industrielle Sud or  
B.P. 22  
91421 Morangis Cedex  
France  
Tel: 1- 64547501  
FAX: 1-9790584

**Cascade Hispania S.A.**  
Avenida De La Fabregada, 7  
Hospitalet De Llobregat  
Barcelona  
Spain  
Tel: 3-335-5158  
FAX: 3-335-4756

**Cascade Japan Ltd.**  
5-5-41,  
Torikai Kami  
Settsu, Osaka  
Japan, 566  
Tel: 81-726-53-3490  
FAX: 81-726-53-3497

**Cascade Korea**  
Room 508, Pum Yang Bldg.  
750-14, Bang Bac-Dong  
Se-Cho Ku, Seoul  
Korea  
Tel: 2599-7131 ext. 512  
FAX: 2533-8089

**HYCO-Cascade Pty. Ltd.**  
1445 Ipswich Road  
Rocklea,  
Queensland 4107  
Australia  
Tel: 3-274-2722  
FAX: 3-274-3456

**HYCO-Cascade (NZ) Ltd.**  
15 Ra Ora Drive, East Tamaki  
P.O. Box 38-440  
Howick, Auckland  
New Zealand  
Tel: 9-273-9136  
FAX: 9-273-9137

**Cascade (Africa) Pty. Ltd.**  
P.O. Box 625, Isando 1600  
60A Steel Road  
Sparton, Kempton Park  
South Africa  
Tel: 975-9240  
FAX: 394-1147

**Cascade-Xiamen**  
Wanshan No. 1 Workshop  
Huli Road  
Xiamen 361006  
Fujian, PRC  
Tel: 592-562-4600  
FAX: 592-562-4671

**Cascade (Singapore)  
Trading Co.**  
Four Seasons Park  
Autumn Block - Apt. 1802  
12 Cascaden Walk  
Singapore  
Tel: 65-834-1935  
FAX: 65-834-1936

