

U *SER MANUAL*

DAGS

Magnetic Fork Cover

Part Number 6827709-R1

cascade[®]
corporation

Cascade is a Registered Trademark of Cascade Corporation

DAGS User Manual

Anti-Scratch and Anti-Slip Device

	Page
Summary	1
Intended Use	2
Components	2
DAGS xRB (Rubber)	2
Information on physical and mechanical characteristics	3
Application of DAGS	3
CORRECT Positioning	3
INCORRECT Positioning	4
Removal of DAGS	4
Checks and Controls	4
Recommendations during Use	5
Disposal of DAGS	5
Information on DAGS Usage and Magnetic fields	5
Storage	5
CORRECT Use	6
INCORRECT Use	7-10

Weighted Emission Sound Pressure Level - Weighted emission sound pressure level (L_{pA}) does not exceed 70 dB(A).

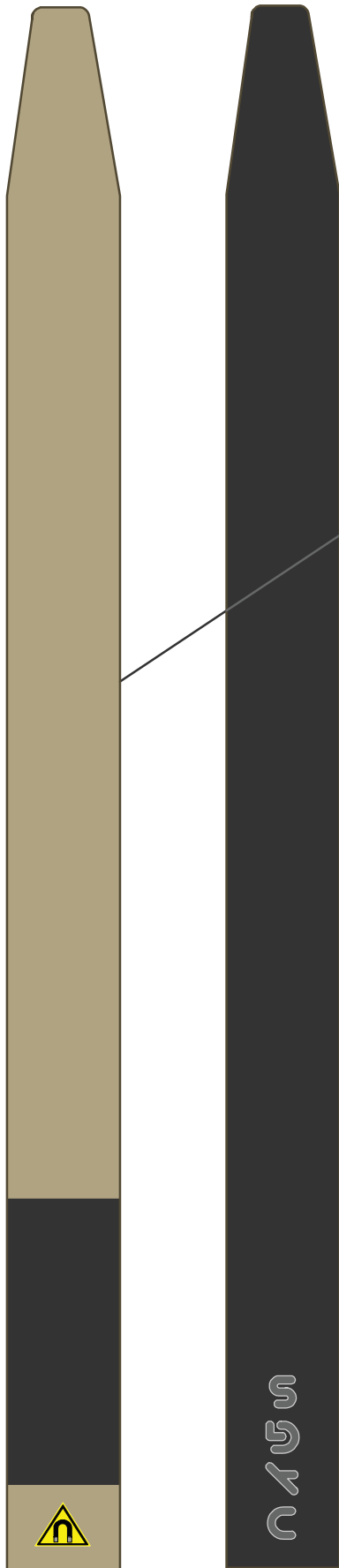
Measured Value of Whole Body Vibration - Measured value of whole body vibration (m/s^2) does not exceed 0,5 m/s^2 .

Measured Value of Hand-Arm Vibration - Measured value of hand-arm vibration (m/s^2) does not exceed 2,5 m/s^2 .

PATENT PENDING



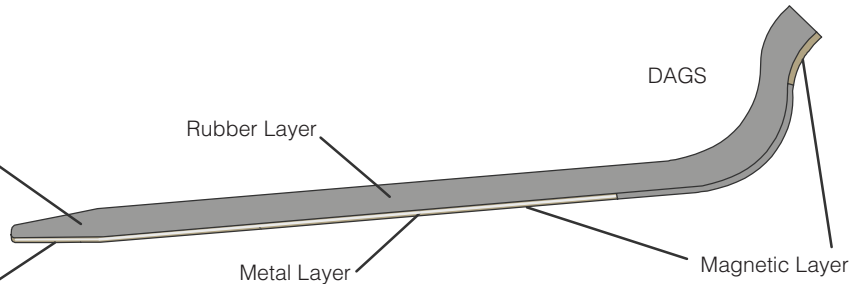
FK0148.eps



Intended Use

The DAGS can be attached to any kind of metal lifting fork to increase the friction between the forks and the material being moved, increasing safety of movement in every respect.

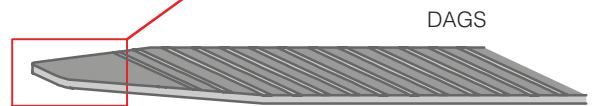
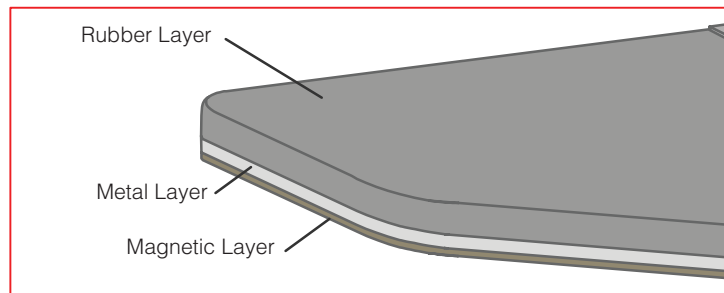
The DAGS also prevent materials from coming in the direct contact with the metal forks while being moved.



Components

The shape and size of the DAGS resembles the forks on which they are positioned. The layers of the DAGS are as illustrated below.

The magnetic layer holds the DAGS securely to the fork; the metal layer gives strength to the structure; the rubber protects the surfaces of moved materials from scratching and wear; the transverse ribbing facilitates gripping of the materials.



FK0150.eps

DAGS xRB (Rubber)

The model has a 3 mm (approx.) thick layer of black rubber, which is resistant to abrasions, atmospheric agents and oils, with 9 cm transverse ribbing.

It serves for any industrial sector where the forks need to be covered to deep from damaging the goods being moved e.g.: metal-works, painted metals, heavy electric steel... or in the aluminum manufacturing and sales industry.

It improves stability while moving materials and metal or plastic containers.

FK0149.eps

Information on physical and mechanical characteristics	Rubber Hardness SHORE A	70 +/- 2 shore A
	Length of one DAGS mm	1400-1550-2000-2500 mm
	Width of one DAGS mm	80-98-118-148 mm
	Thickness of one DAGS mm	6, 6-9 mm
	Weight of one DAGS mm	2,80 to 9,30 kg
	Magnetic Field generated by one DAGS on contact max. mT	max. mT 19,25
	Maximum operating temperature	70/80 °C



Application of DAGS

Wear suitable protective gloves and do not wear metal-based necklaces, bracelets, etc., because they will be attracted to the magnetic field generated by the magnets on the bottom side of the DAGS.

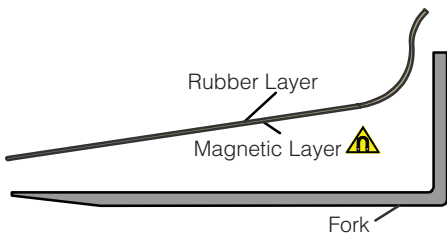
The minimum width of forks suitable for DAGS application is 10 cm.

The DAGS should not extend beyond the edge of the fork.

Make sure the fork surfaces are clean, dry and free of foreign objects.

Open the package and separate the devices from one another.

Installation Instructions



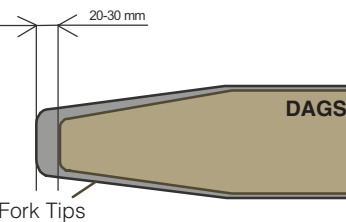
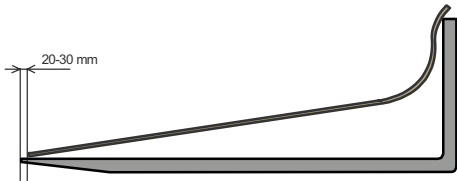
While positioning the DAGS, keep fingers free of the space between the fork surface and the DAGS, DUE TO RISK OF CRUSHING BETWEEN THE SURFACES.



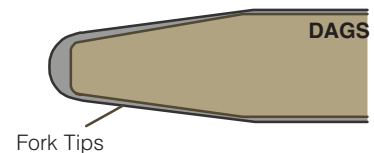
Identify the magnetized side and turn it facing downwards, positioning the point of the DAGS about 2-3 cm from the pointed end of the metal fork.

After the DAGS has adhered, test the grip and ensure that the device follows the outline of the fork precisely without protruding past the edges.

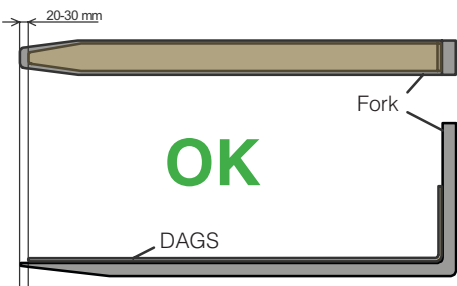
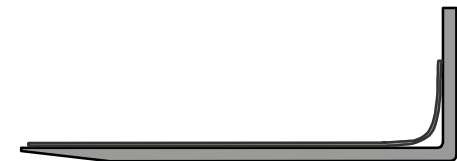
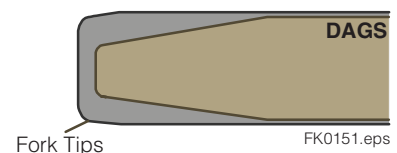
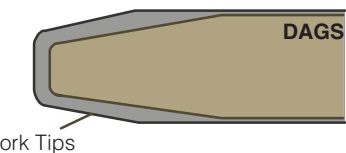
Dispose of all packaging materials as indicated by current regulations.



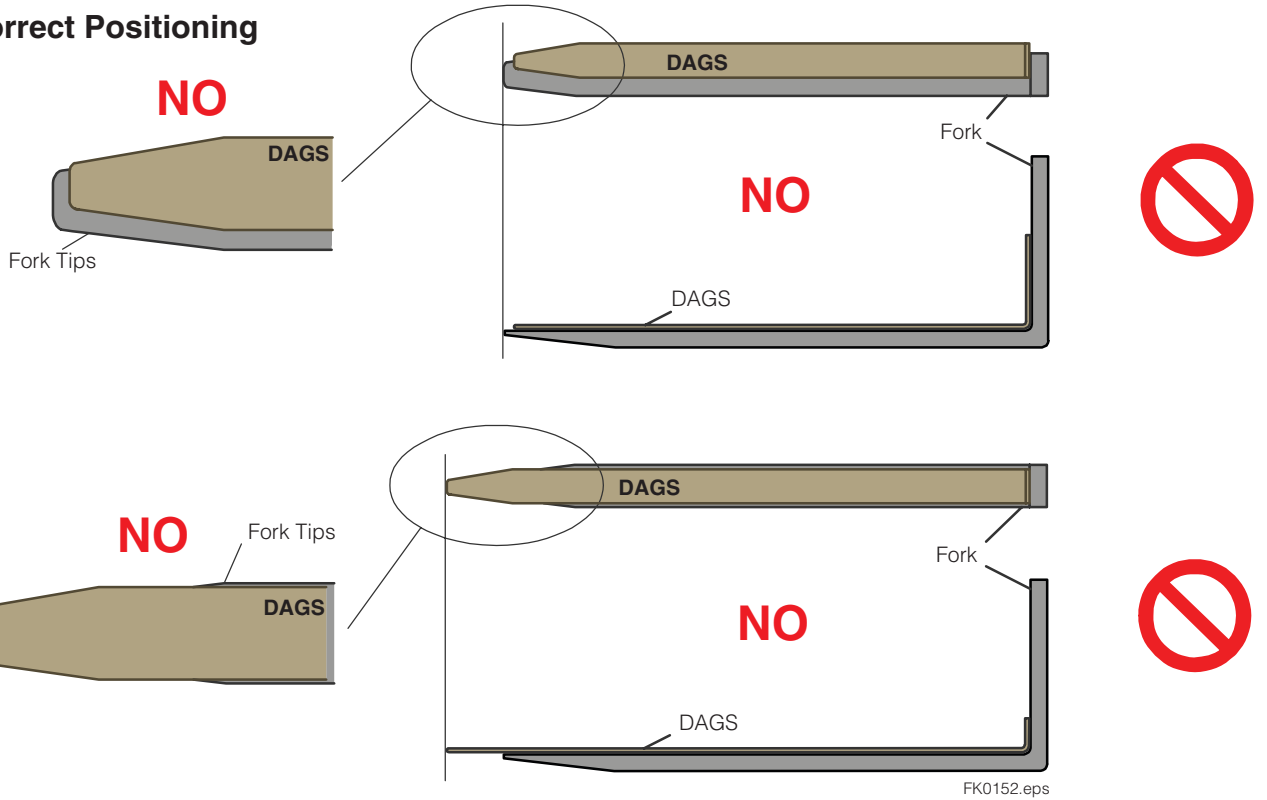
Correct Positioning



OK



Incorrect Positioning



Removal of DAGS

Wear suitable protective gloves and do not wear metal-based necklaces, bracelets, etc., because they will be attracted to the magnetic field generated by the magnets on the bottom side of the DAGS. To remove the DAGS, grip a posterior corner and lift the device upwards.



During removal of the DAGS, be careful not to place your fingers between the fork surface and the DAGS. DUE TO RISK OF CRUSHING BETWEEN THE SURFACES.



CAUTION: Magnetic field.

Checks and Controls

Check the top surface of the DAGS on a regular basis, when the rubber surface is torn, the DAGS loses its anti-scratch characteristics.



Always check and test the magnetic layer of the DAGS and the strength of adhesion to the metal surface. Remove any foreign material that can adhere to the magnetic layer.

FK0153.eps



Recommendations during Use

Excessive rubbing of material on the rubber surface may leave a gum residue on the product.

The operator must use the DAGS as indicated in the USER and MAINTENANCE manual.

While using forklift trucks, users should always follow the work safety guidelines prescribed by existing laws and especially Legislative Decree 81/2008, as amended.

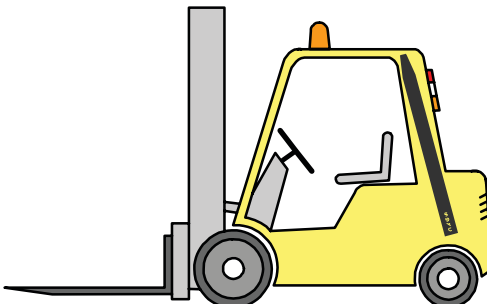
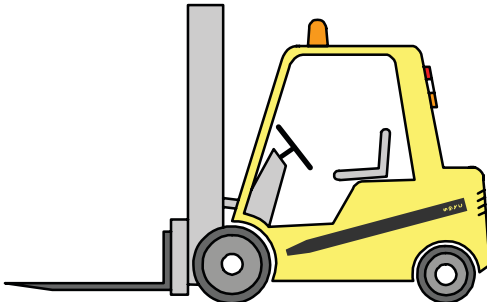
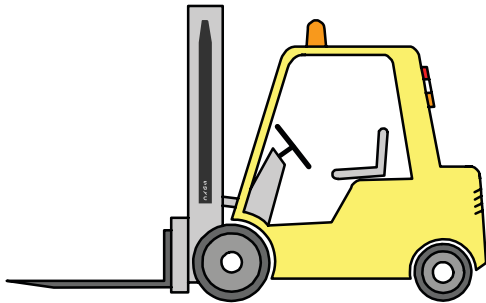
Note that Legislation Decree 81/2008 also requires forklift truck drivers to be adequately informed and trained, which holds equally true for preparation for proper usage of the DAGS.

Disposal of DAGS

When necessary, disposal of the DAGS should be conducted in accordance with current regulations.

Information on DAGS Usage and Magnetic Fields

The maximum value of the magnetic field on contact is 19.25 mT; this value classifies the DAGS as a category 0 Device.



FK0154.eps

Storage

When not in use it can be attached to the forklift.

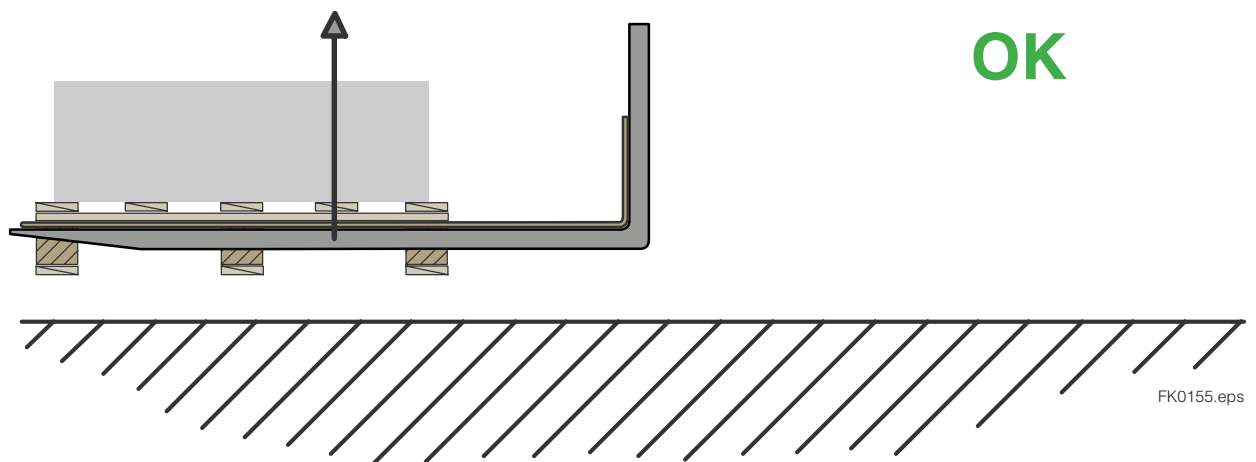
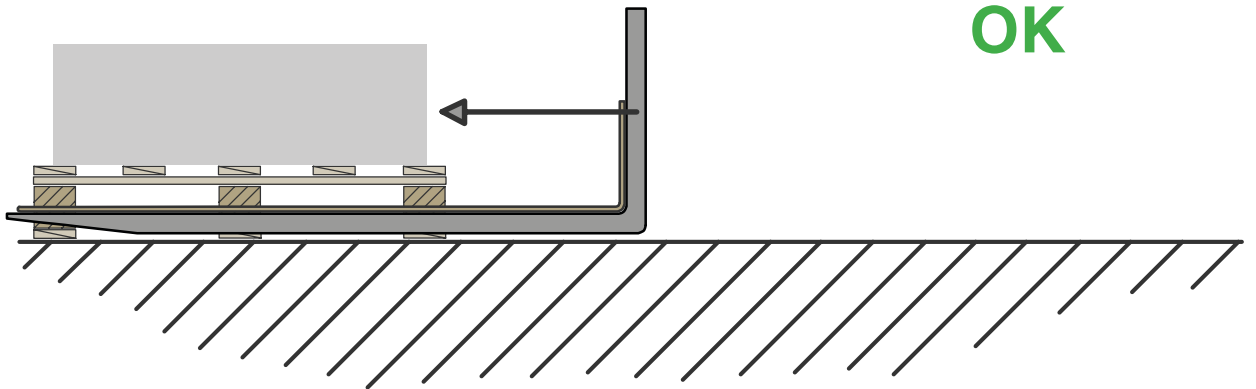
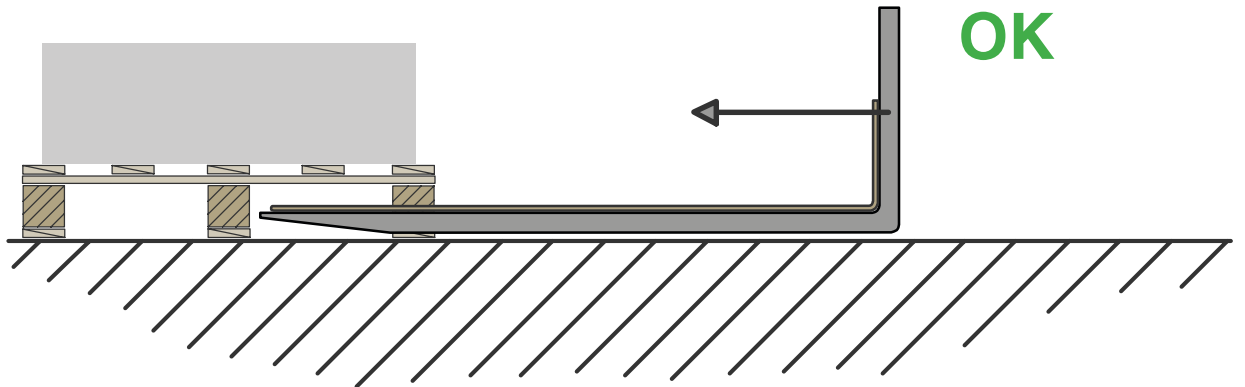
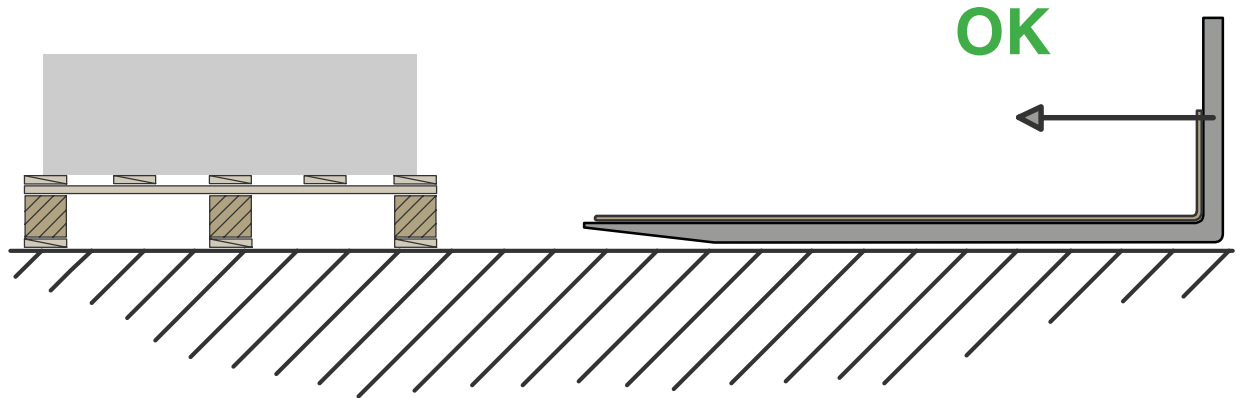
Different solutions are represented here.



Correct Use

The example shows the correct use of DAGS.

Utilization of pallet is only by way of example, and not restrictive.

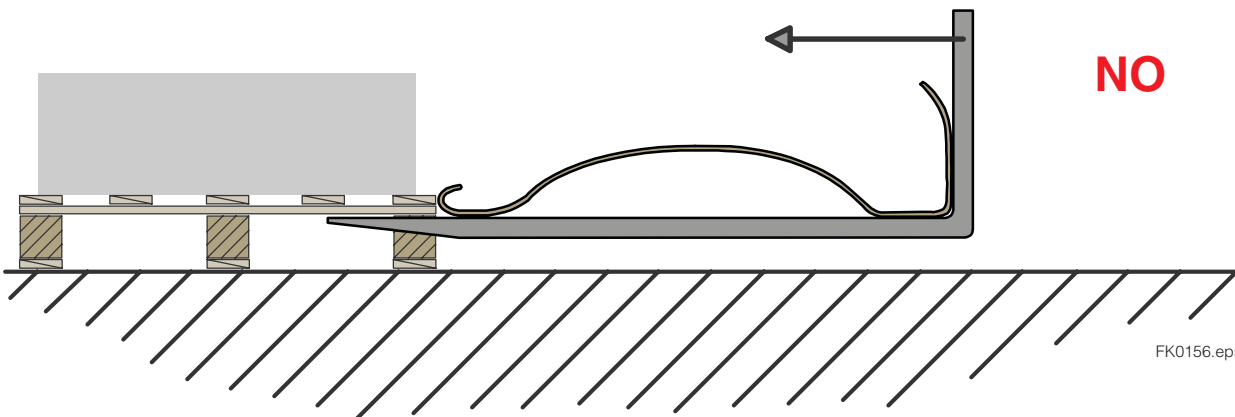
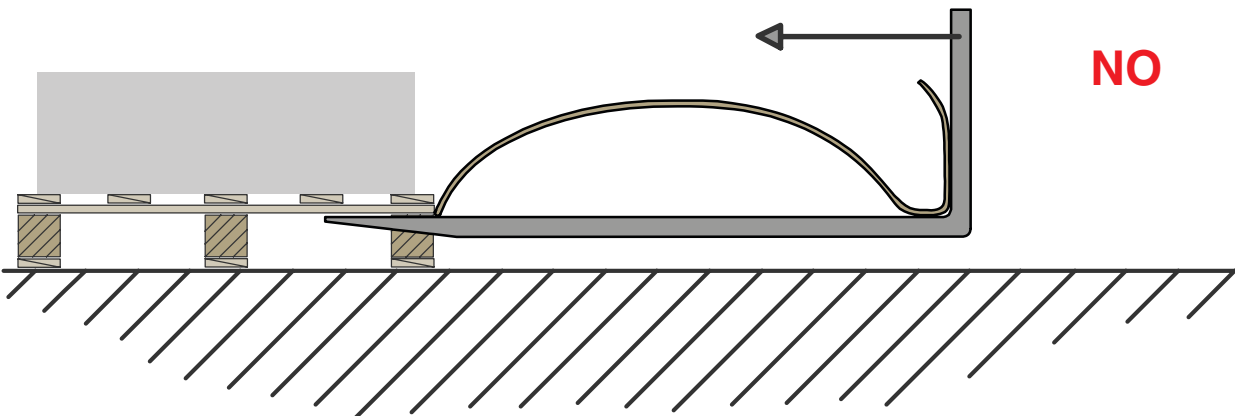
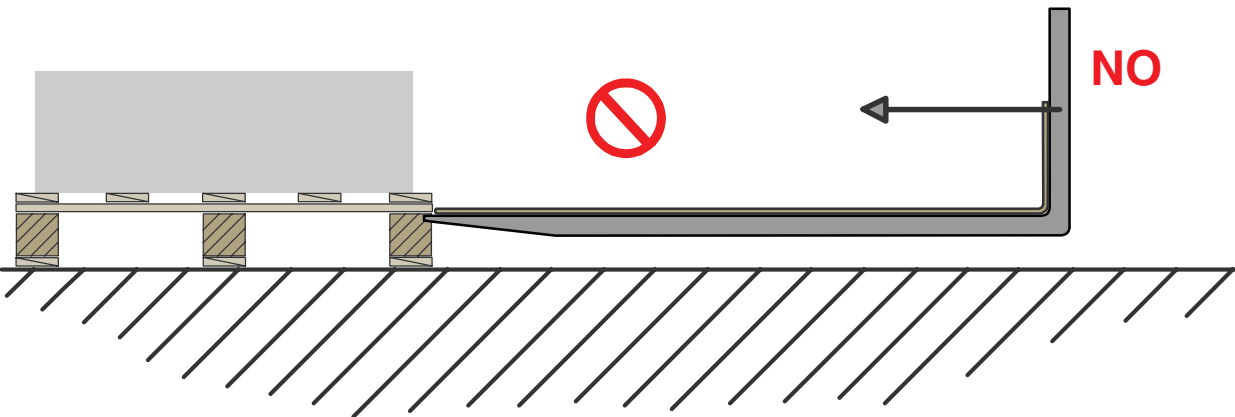
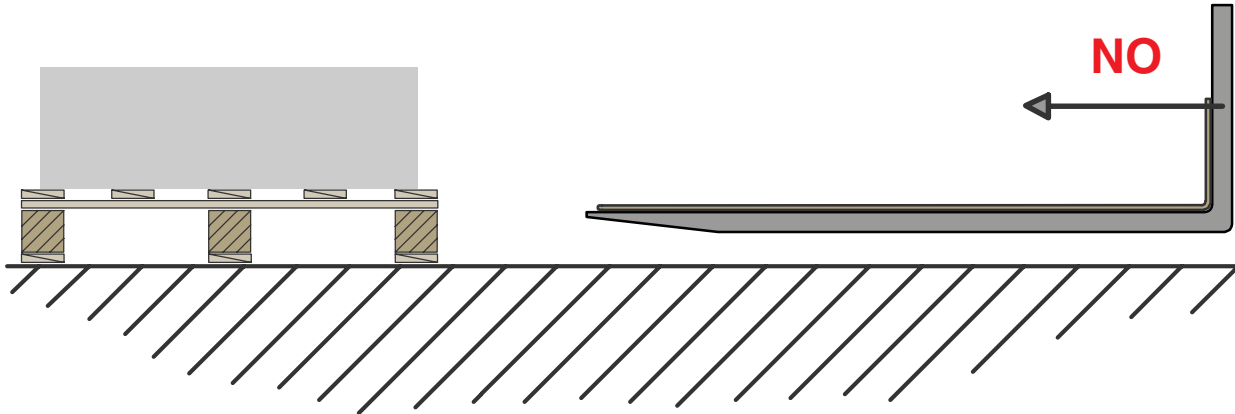




Incorrect Use

The example shows the incorrect use of DAGS.

Utilization of pallet is only by way of example, and not restrictive. Improper handling can damage the DAGS.



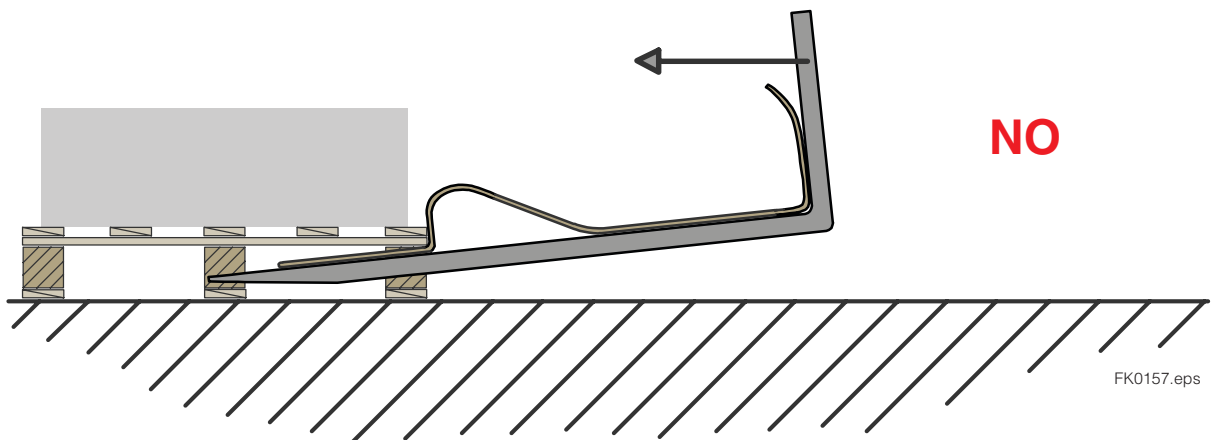
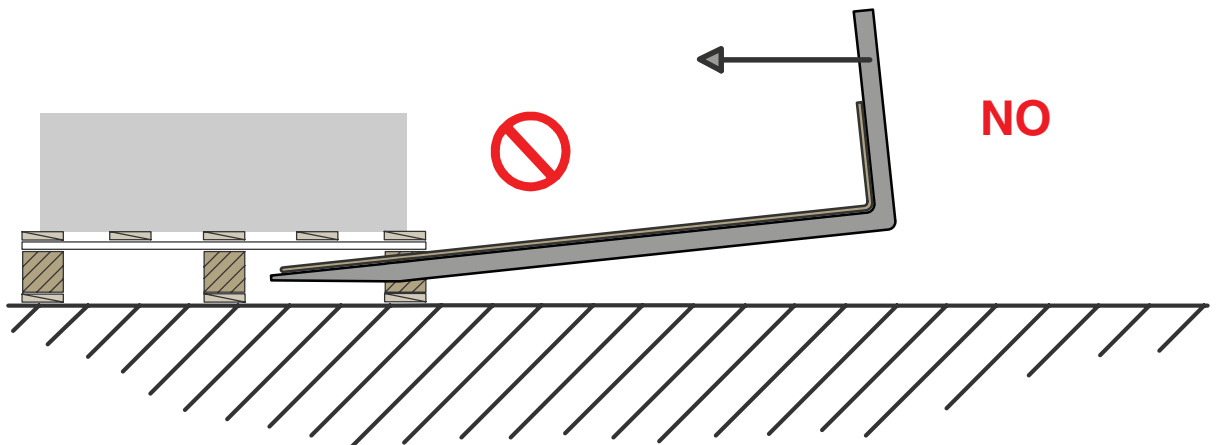
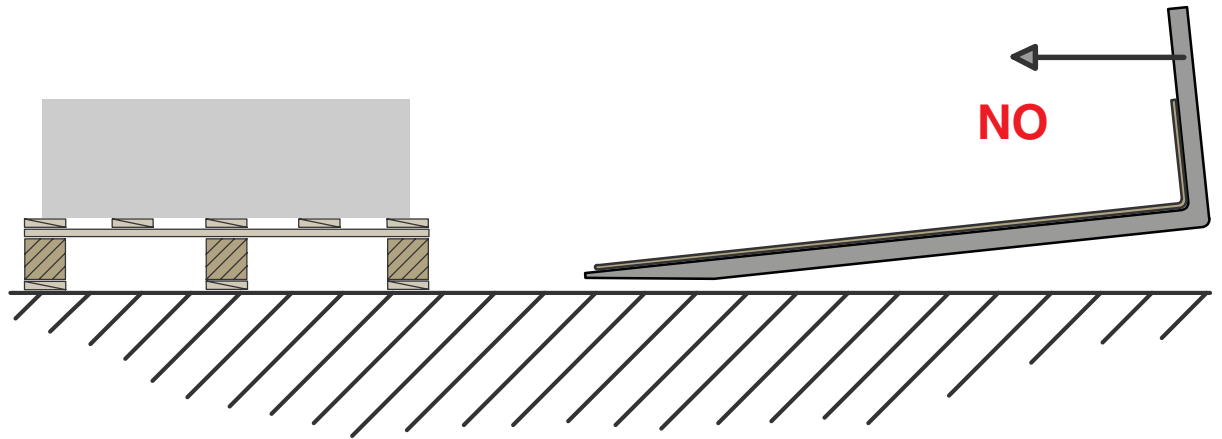
FK0156.eps



Incorrect Use

The example shows the incorrect use of DAGS.

Utilization of pallet is only by way of example, and not restrictive. Improper handling can damage the DAGS.



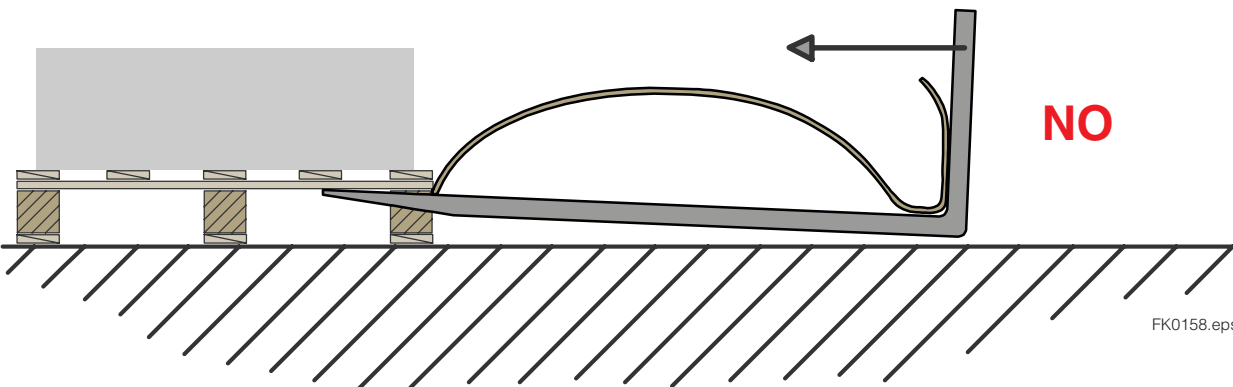
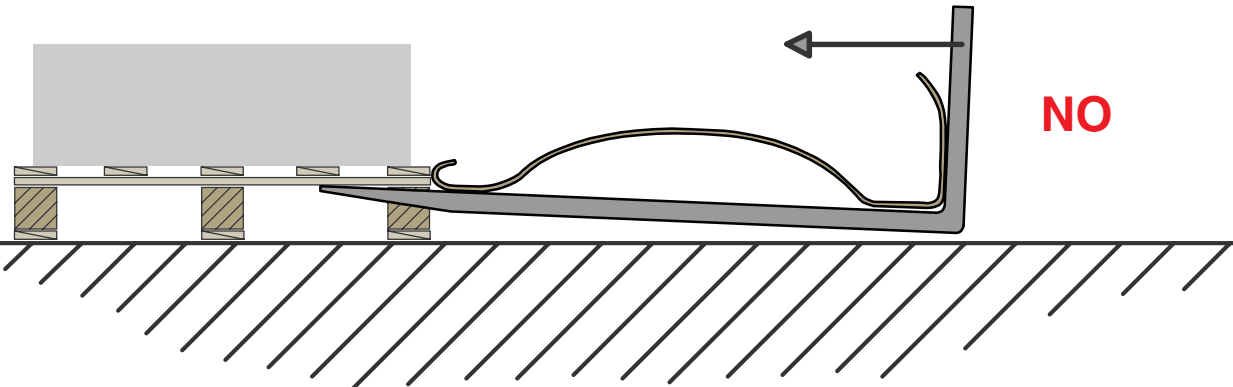
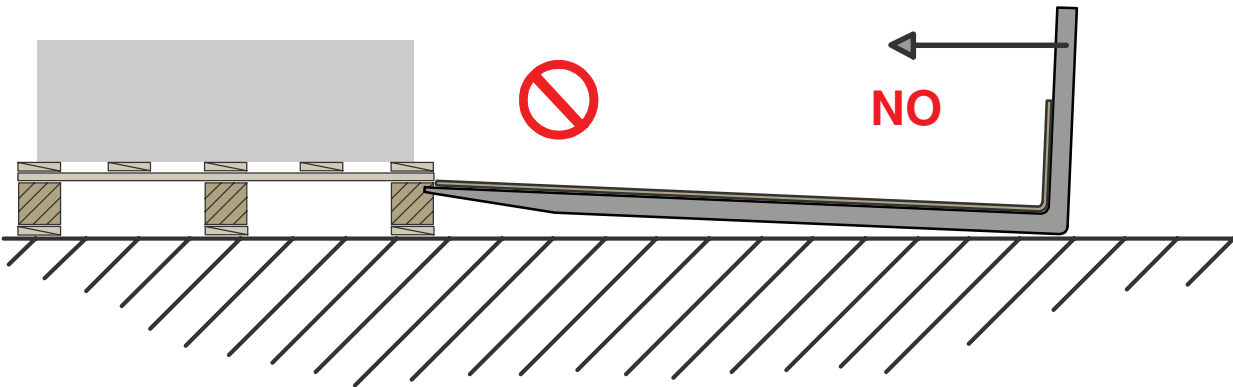
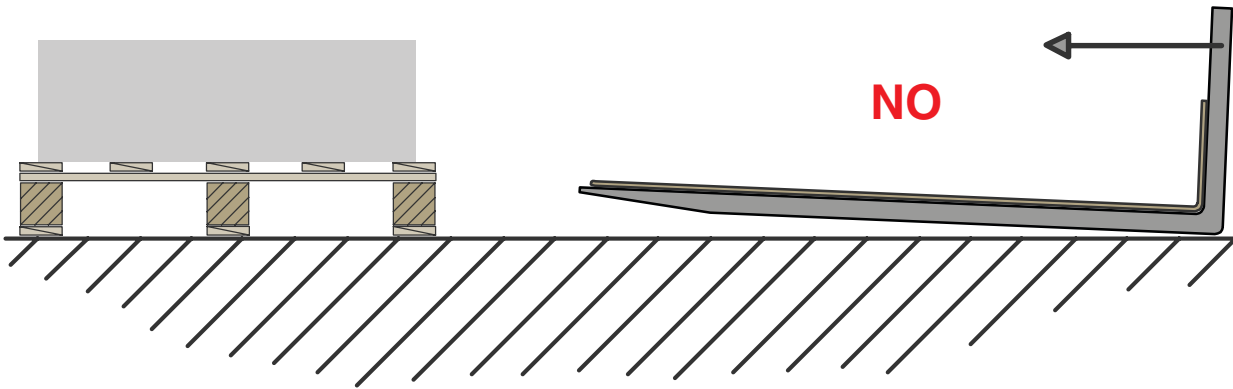
FK0157.eps



Incorrect Use

The example shows the incorrect use of DAGS.

Utilization of pallet is only by way of example, and not restrictive. Improper handling can damage the DAGS.



FK0158.eps

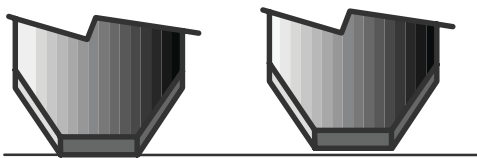
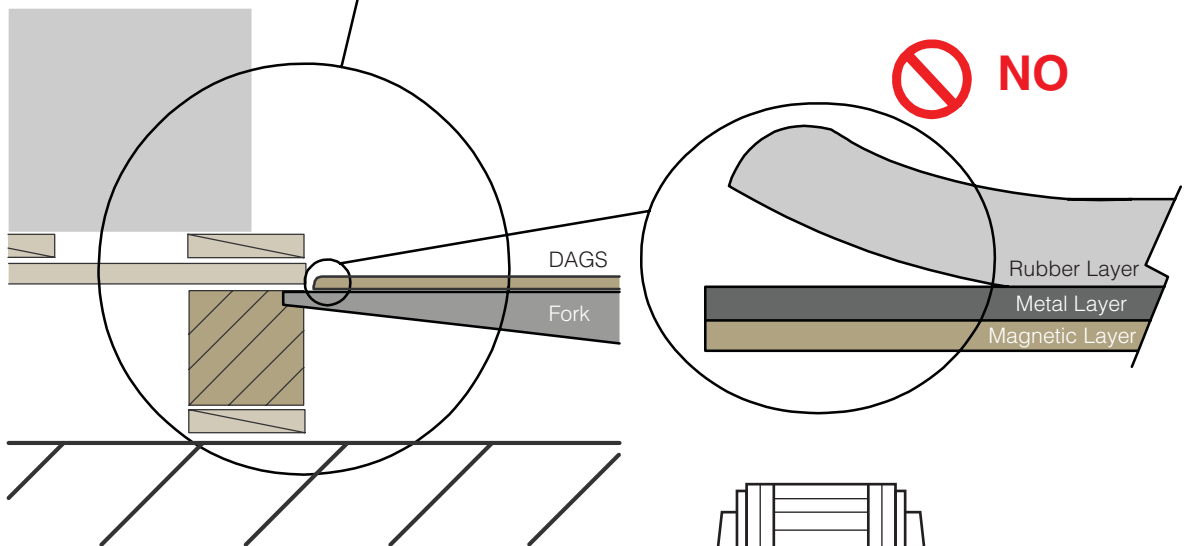
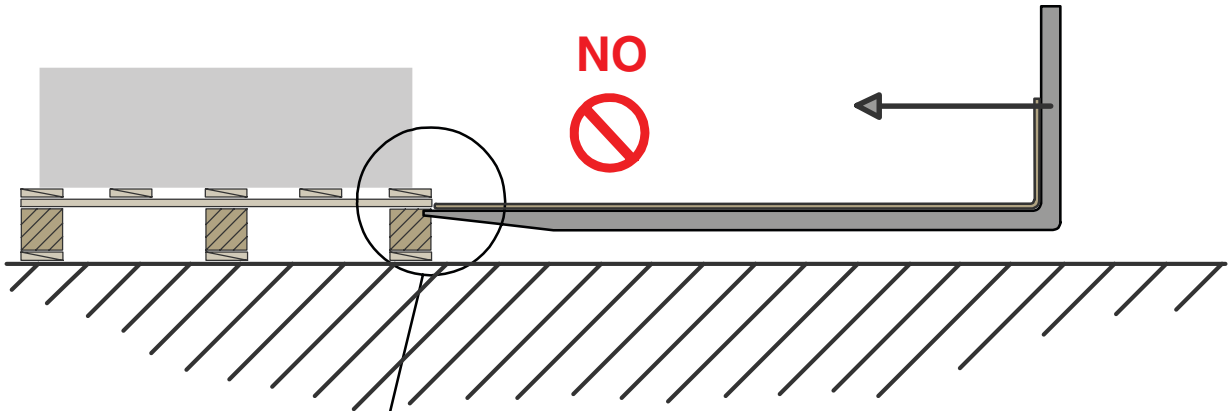


Incorrect Use

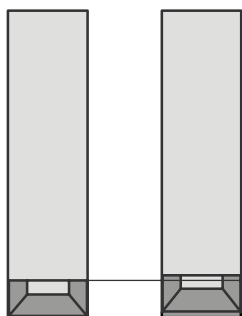
The example shows the incorrect use of DAGS.

Utilization of pallet is only by way of example, and not restrictive. Improper handling can damage the DAGS.

Using forks that are not aligned can cause wear on the DAGS.



Match Tip Length



Match Tip Height



NO

Do not position forks with raised load.

FK0159.eps

Do you have questions you need answered right now? Call your nearest Cascade Service Department. Visit us online at www.cascorp.com

Zijn er vragen waarop u direct een antwoord nodig hebt? Neem dan contact op met uw dichtstbijzijnde serviceafdeling van Cascade. Of ga naar www.cascorp.com

Haben Sie Fragen, für die Sie sofort eine Antwort benötigen? Wenden Sie sich an Ihren nächsten Cascade-Kundendienst. Besuchen Sie uns online: www.cascorp.com

En cas de questions urgentes, contactez le service d'entretien Cascade le plus proche. Visitez le site Web www.cascorp.com.

Per domande urgenti contattare l'Ufficio Assistenza Cascade più vicino. Visitate il nostro sito all'indirizzo www.cascorp.com

¿Tiene alguna consulta que deba ser respondida de inmediato? Llame por teléfono al servicio técnico de Cascade más cercano. Visítenos en www.cascorp.com

AMERICAS

**Cascade Corporation
U.S. Headquarters**
2201 NE 201st
Fairview, OR 97024-9718
Tel: 800-CASCADE (227-2233)
Fax: 888-329-8207

Cascade Canada Inc.
5570 Timberlea Blvd.
Mississauga, Ontario
Canada L4W-4M6
Tel: 905-629-7777
Fax: 905-629-7785

Cascade do Brasil
Rua João Guerra, 134
Macuco, Santos - SP
Brasil 11015-130
Tel: 55-13-2105-8800
Fax: 55-13-2105-8899

EUROPE-AFRICA

**Cascade Italia S.R.L.
European Headquarters**
Via Dell'Artigianato 1
37030 Vago di Lavagno (VR)
Italy
Tel: 39-045-8989111
Fax: 39-045-8989160

Cascade (Africa) Pty. Ltd.
PO Box 625, Isando 1600
60A Steel Road
Sparton, Kempton Park
South Africa
Tel: 27-11-975-9240
Fax: 27-11-394-1147

ASIA-PACIFIC

Cascade Japan Ltd.
2-23, 2-Chome,
Kukuchi Nishimachi
Amagasaki, Hyogo
Japan, 661-0978
Tel: 81-6-6420-9771
Fax: 81-6-6420-9777

Cascade Korea
121B 9L Namdong Ind.
Complex, 691-8 Gojan-Dong
Namdong-Ku
Inchon, Korea
Tel: +82-32-821-2051
Fax: +82-32-821-2055

Cascade-Xiamen
No. 668 Yangguang Rd.
Xinyang Industrial Zone
Haicang, Xiamen City
Fujian Province
P.R. China 361026
Tel: 86-592-651-2500
Fax: 86-592-651-2571

**Cascade India Material
Handling Private Limited**
No 34, Global Trade Centre
1/1 Rambaugh Colony
Lal Bahadur Shastri Road,
Navi Peth, Pune 411 030
(Maharashtra) India
Phone: +91 020 2432 5490
Fax: +91 020 2433 0881

Cascade Australia Pty. Ltd.
1445 Ipswich Road
Rocklea, QLD 4107
Australia
Tel: 1-800-227-223
Fax: +61 7 3373-7333

Cascade New Zealand
15 Ra Ora Drive
East Tamaki, Auckland
New Zealand
Tel: +64-9-273-9136
Fax: +64-9-273-9137

**Sunstream Industries
Pte. Ltd.**
18 Tuas South Street 5
Singapore 637796
Tel: +65-6795-7555
Fax: +65-6863-1368

