



Parts Manual

Model 25D Carton Clamp

Serial Number 25D-CCS-35Q R3

cascade[®]
corporation

For Technical Assistance call: 800-227-2233, Fax: 888-329-8207

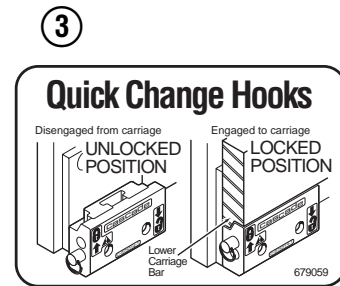
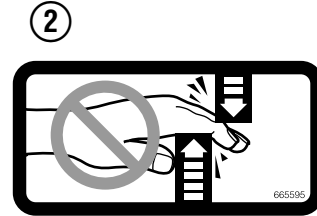
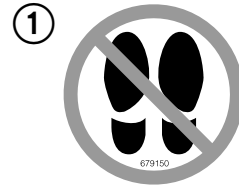
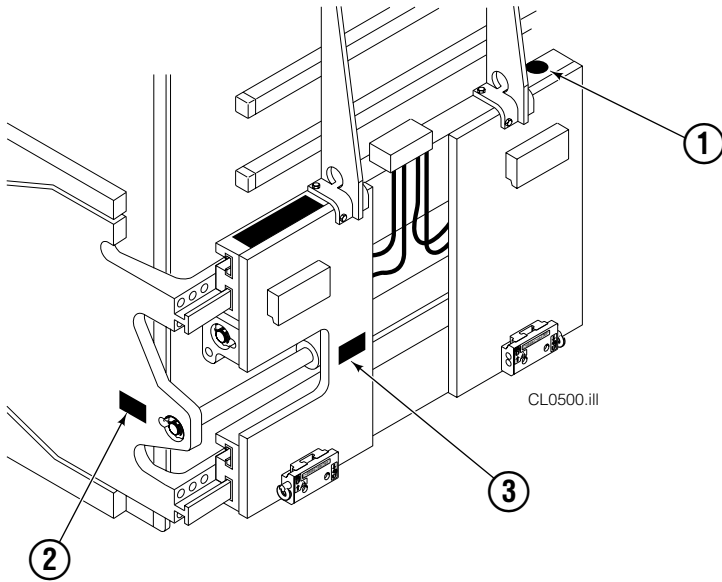
To Order Parts call: 888-227-2233, Fax: 888-329-0234

OR

Write: Cascade Corporation, P.O. Box 20187, Portland, OR 97220

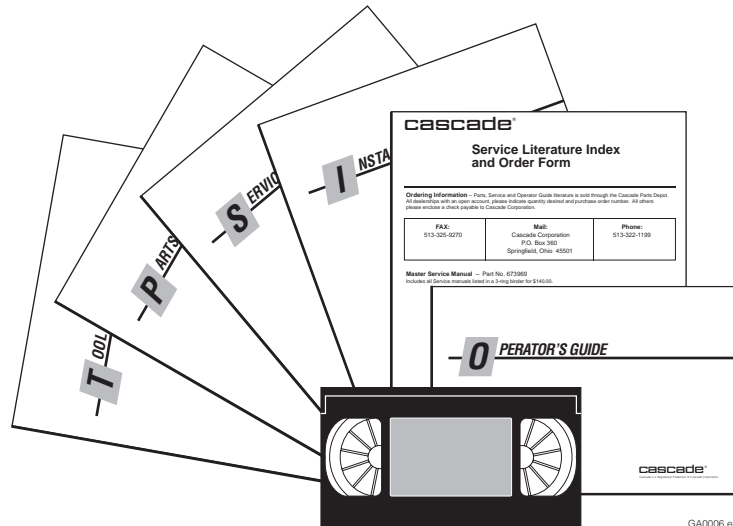
Internet: www.cascorp.com

Safety Decals



REF	QTY	PART NO.	DESCRIPTION
1	1	679150	No Step Decal
2	2	665595	No Hand Hold Decal
3	1	679059	Quick Change Hook Decal

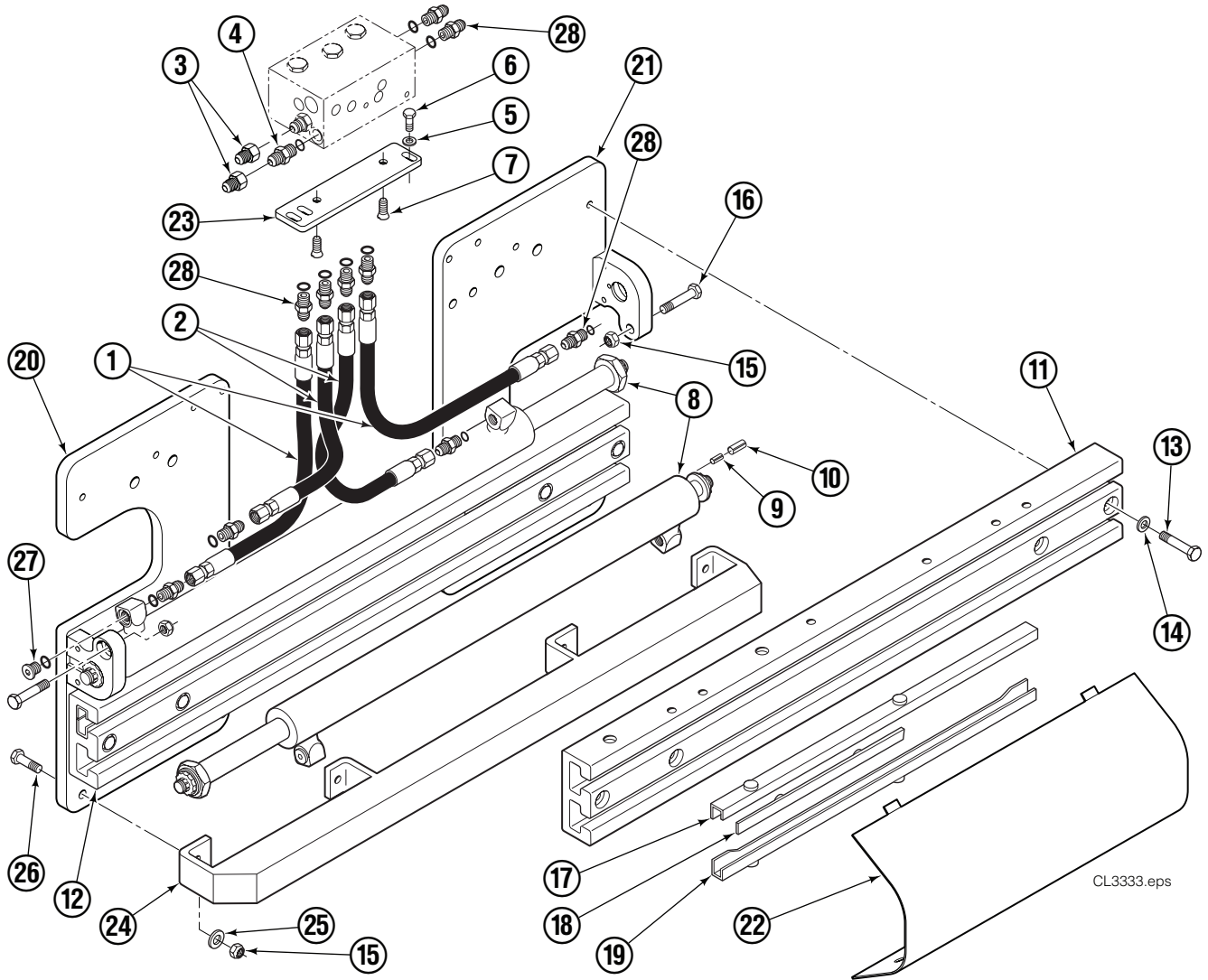
Publications



GA0006.eps

PART NO.	DESCRIPTION
670487	Service Manual
670834	Operators Guide
670488	Installation Instructions
680664	Servicing Cascade Cylinders-VHS
679929	Tool Catalog
673964	Literature Index Order Form

Base Unit Group

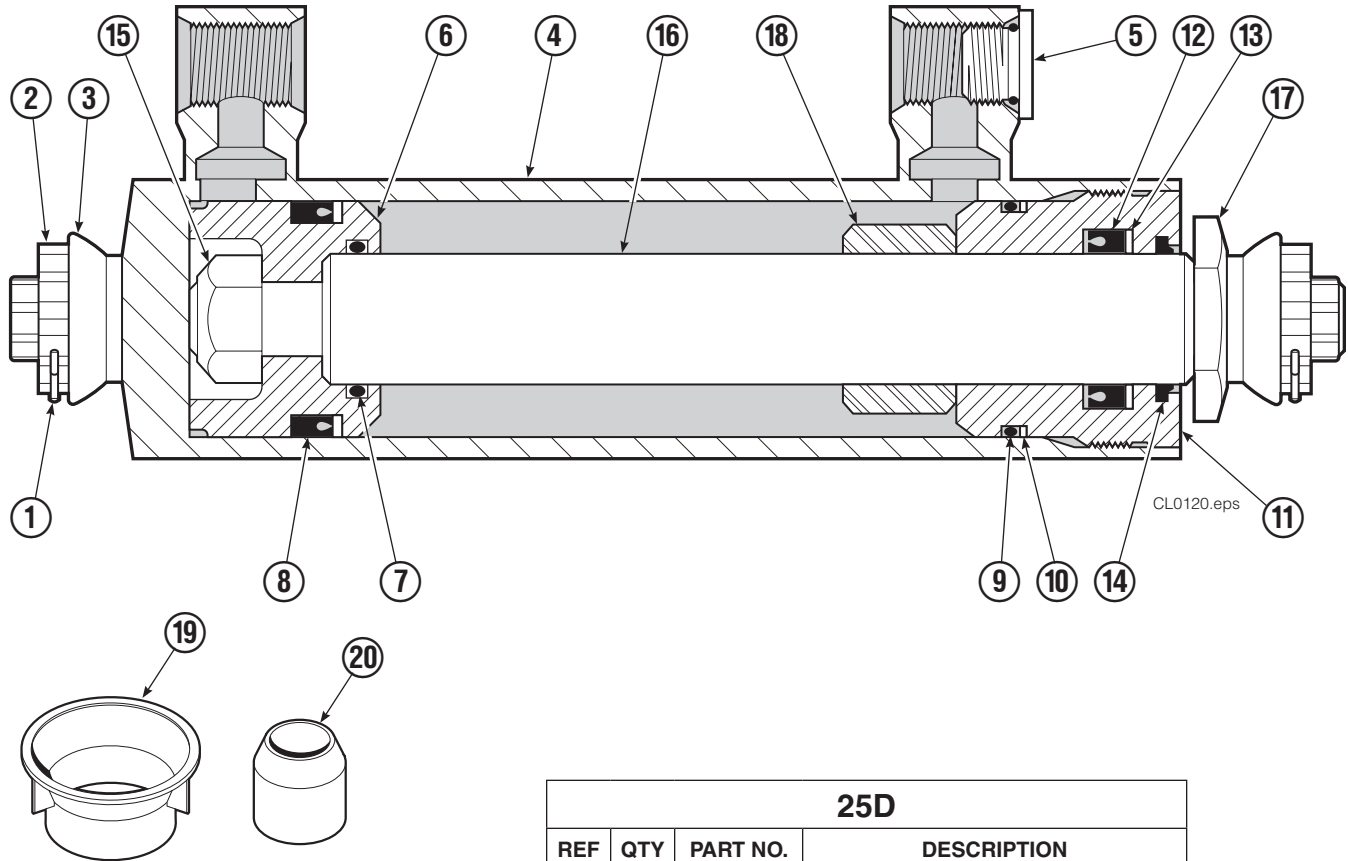


25D							
REF	QTY	PART NO.	DESCRIPTION	REF	QTY	PART NO.	DESCRIPTION
		6056700	Base Unit	15	6	773842	Nut, M12
1	2	207425	Hose, 24.00 in.	16	2	768414	Capscrew, M12 x 65
2	2	675055	Hose, 17.50 in.	17	4	208858	Bearing
3	2	6019053	Fitting, 8-6	18	4	667663	Bearing
4	1	601377	Fitting, 8-8	19	4	208857	Bearing
5	2	209021	Washer, M10	20	1	6056535	Mounting Plate – RH
6	2	684594	Capscrew, M10 x 20	21	1	6056533	Mounting Plate – LH
7	2	766646	Capscrew, M10 x 20	22	1	6055842	Bumper
8	2	671570	Cylinder ◆	23	1	669957	Adaptor Plate
9	2	768953	Roll Pin – Inner	24	1	671545	Bumper – Lower
10	2	769009	Roll Pin – Outer	25	4	6205	Washer
11	1	6056594	Frame – Upper	26	4	768556	Capscrew, M12 x 45
12	1	6056651	Frame – Lower	27	2	602580	Fitting, 8
13	8	6405045	Capscrew, M12 x 70	28	10	611288	Fitting, 6-8
14	8	667910	Washer				

◆ See Cylinder page for parts breakdown.

Reference: SK-8753.

Cylinder Assembly



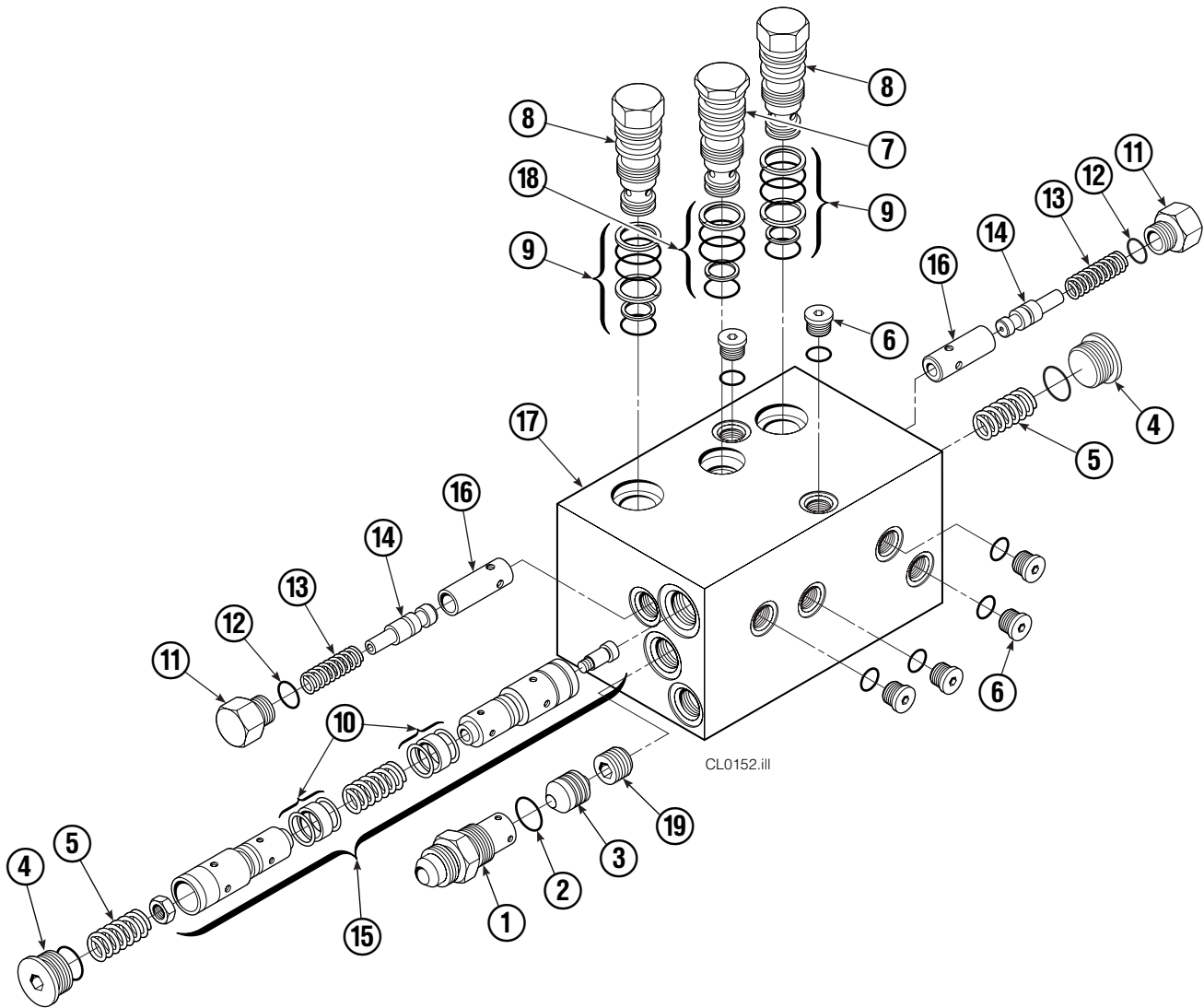
25D			
REF	QTY	PART NO.	DESCRIPTION
		671570	Cylinder Assembly
1	2	6510	■ Cotter Pin
2	2	667624	■ Nut Retainer
3	2	667625	■ Nut
4	1	671572	Shell
5	1	602580	Fitting
6	1	558200	Piston
7	1	2716	◆ O-Ring
8	1	662452	◆ Seal
9	1	2785	◆ O-Ring
10	1	615128	◆ Back-Up Ring
11	1	563906	Retainer
12	1	662448	◆ Seal
13	1	638243	◆ Nylon Ring
14	1	636853	◆ Wiper
15	1	667623	Nut
16	1	671571	Rod
17	1	667626	Washer
18	1	—	Spacer
19	1	671047	◆ Seal Loader, Piston
20	1	671051	◆ Seal Loader, Retainer
		668021	Service Kit

■ Included in Nut Service Kit 668926.

◆ Included in Service Kit 668021.

Reference: S-7605, S-7658.

Check Valve



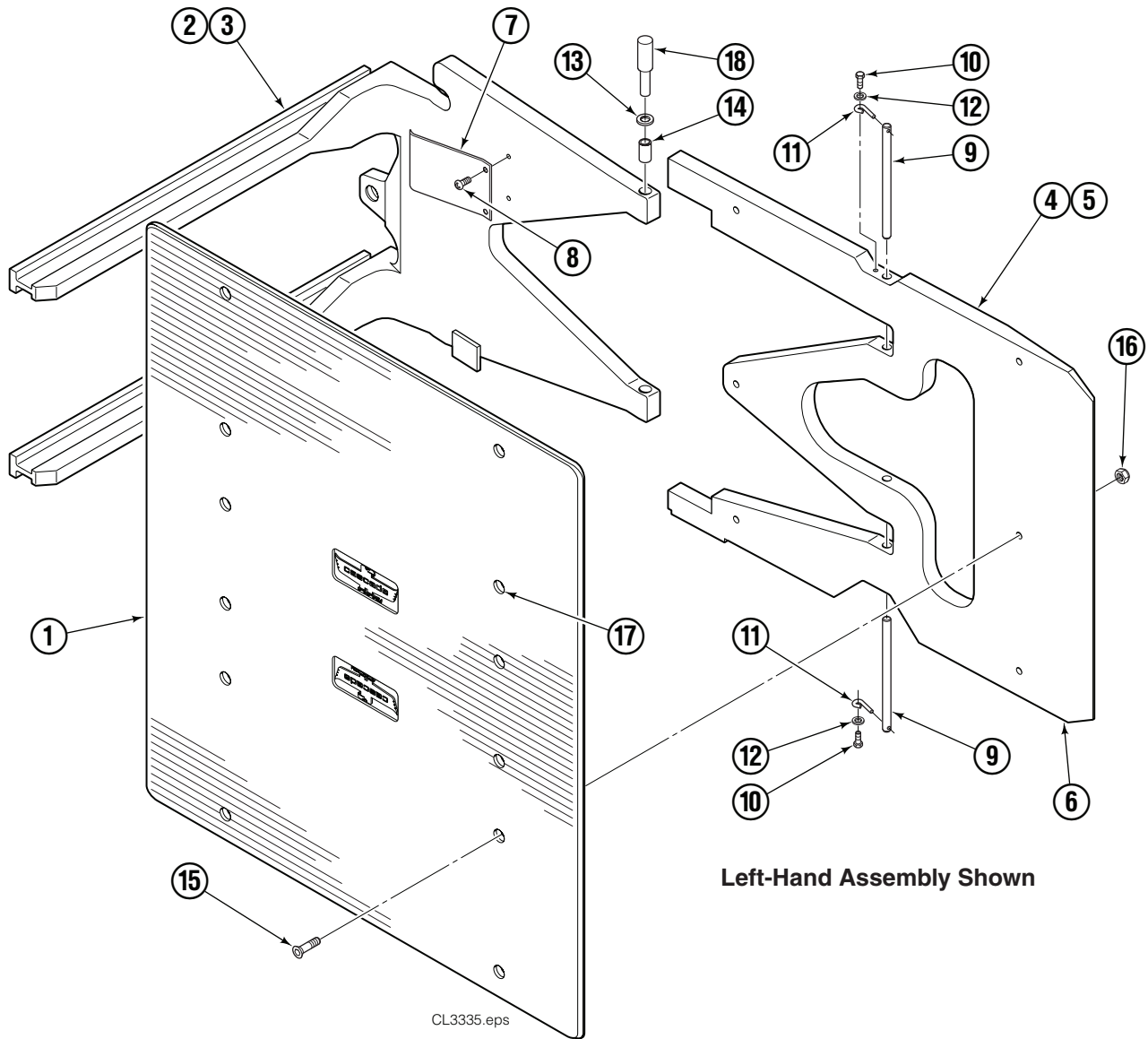
REF	QTY	PART NO.	DESCRIPTION	REF	QTY	PART NO.	DESCRIPTION
		669762	Check Valve – Flow Divider	11	2	667494	Fitting
1	1	667490	Special Fitting	12	2	2840	O-Ring ●
2	1	2841	O-Ring ●	13	2	673098	Spring
3	1	667471	Spool	14	2	667492	Poppet
4	2	609453	Fitting, 10	15	1	673089	Spool Assembly
5	2	667487	Spring	16	2	667491	Sleeve
6	6	604510	Fitting, 6	17	1	669763	Valve Body
7	1	678270	Check Valve – VPO	18	1	661347	Service Kit ●
8	2	659058	Check Valve – PO	19	1	676343	Regeneration Elimination Plug ■
9	2	667516	Service Kit ●			667513	Service Kit
10	1	679846	Low Flow Spool Kit				

● Included in Service Kit 667513.

■ For eliminating regeneration circuit only. See Technical Bulletin 121.

Reference: SK-5302.

Arms and Pads



Left-Hand Assembly Shown

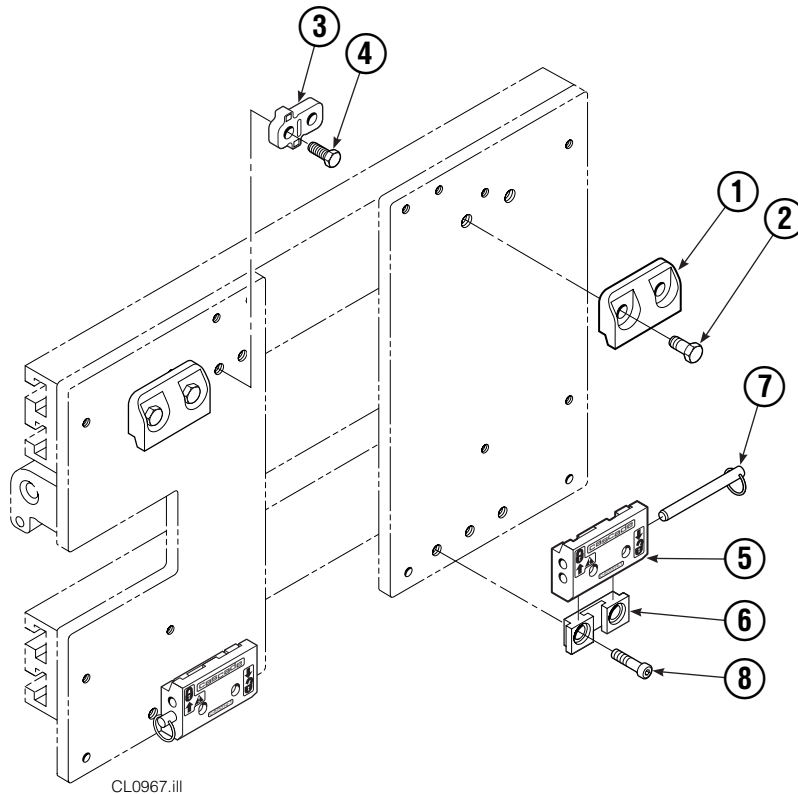
15D/25D

REF	QTY	PART NO.	DESCRIPTION	REF	QTY	PART NO.	DESCRIPTION
		6056889	Stabilizer Group ◆	9	4	6057546	Pin
		6057713	Common Parts ●	10	4	787372	Capscrew, M8 x 20
1	2	6055245	Contact Pad	11	4	6020429	Eye Pin
2	1	6054456	Arm – LH	12	4	787398	Washer, M8
3	1	6054454	Arm – RH	13	10	675620	Washer, M10
4	1	6054195	Stabilizer – LH	14	8	200590	Bushing
5	1	6054991	Stabilizer – RH	15	12	768706	Capscrew, M12 x 35
6	2	208860	Stabilizer Wear Tile	16	12	773842	Nut, M12
7	2	210154	Spring	17	■	676841	Contact Pad Repair Kit
8	4	203405	Capscrew, M10 x 16	18	1	675626	Tool – Bushing Driver

- ◆ Includes items 4-6.
- Includes items 7-16.

- Repairs one hole.
- Reference: SK-8753.

Quick-Change Mounting Group



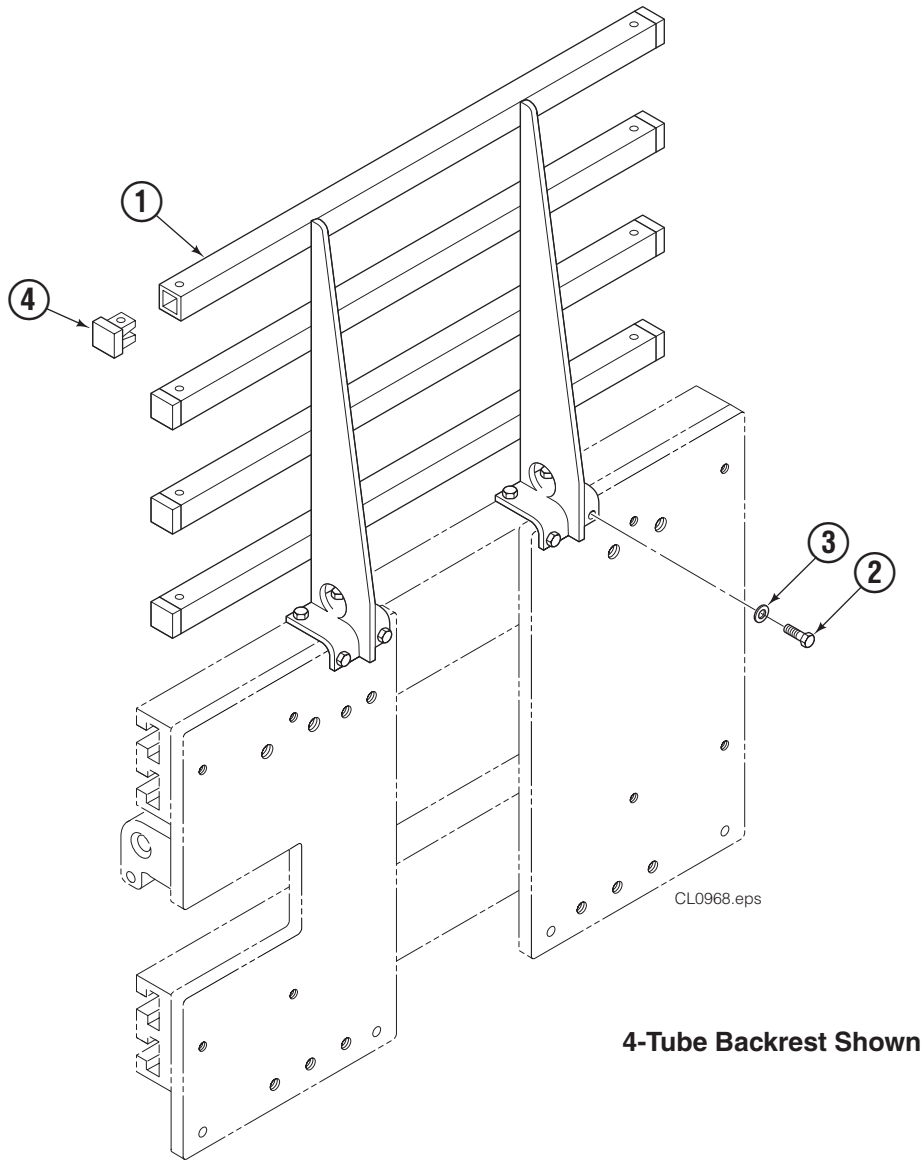
REF	QTY	ITA II	DESCRIPTION
		PART NO.	
		211162	Upper Mounting Group ▲
		211174	Lower Mounting Group ●
1	2	210491	Upper Hook
2	4	768577	Capscrew, M20 x 35
3	1	212999	Center Key
4	2	211129	Capscrew, M16 x 35
5	2	675514	Lower Hook
6	2	675515	Guide
7	2	678832	Pin
8	4	211180	Capscrew, M16 x 30

▲ Includes items 1–4.

● Includes items 5–8.

Reference: SK-6390.

Backrest Group



15D/25D			
REF	QTY	PART NO.	DESCRIPTION
		6056676	Backrest Group
1	1	6056588	Backrest
2	8	767810	Capscrew, M12 x 25
3	8	667910	Washer
4	8	674356	Tube End

Do you have questions you need answered right now?

Call your nearest Cascade Parts Department.

Visit us online at www.cascorp.com

AMERICAS

**Cascade Corporation
Parts Sales**

2501 Sheridan Ave.
Springfield, OH 45505
Tel: 888-CASCADE (227-2233)
Fax: 888-329-0234

Cascade Canada Inc.

5570 Timberlea Blvd.
Mississauga, Ontario
Canada L4W-4M6
Tel: 905-629-7777
Fax: 905-629-7785

Cascade do Brasil

Rua João Guerra, 134
Macuco, Santos - SP
Brasil 11015-130
Tel: 55-13-2105-8800
Fax: 55-13-2105-8899

EUROPE-AFRICA

**Cascade Italia S.R.L.
European Headquarters**

Via Dell'Artigianato 1
37030 Vago di Lavagno (VR)
Italy
Tel: 39-045-8989111
Fax: 39-045-8989160

Cascade (Africa) Pty. Ltd.

PO Box 625, Isando 1600
60A Steel Road
Sparton, Kempton Park
South Africa
Tel: 27-11-975-9240
Fax: 27-11-394-1147

ASIA-PACIFIC

Cascade Japan Ltd.

2-23, 2-Chome,
Kukuchi Nishimachi
Amagasaki, Hyogo
Japan, 661-0978
Tel: 81-6-6420-9771
Fax: 81-6-6420-9777

Cascade Korea

121B 9L Namdong Ind.
Complex, 691-8 Gojan-Dong
Namdong-Ku
Inchon, Korea
Tel: +82-32-821-2051
Fax: +82-32-821-2055

Cascade-Xiamen

No. 668 Yangguang Rd.
Xinyang Industrial Zone
Haicang, Xiamen City
Fujian Province
P.R. China 361026
Tel: 86-592-651-2500
Fax: 86-592-651-2571

**Cascade India Material
Handling Private Limited**

No 34, Global Trade Centre
1/1 Rambaugh Colony
Lal Bahadur Shastri Road,
Navi Peth, Pune 411 030
(Maharashtra) India
Phone: +91 020 2432 5490
Fax: +91 020 2433 0881

Cascade Australia Pty. Ltd.

1445 Ipswich Road
Rocklea, QLD 4107
Australia
Tel: 1-800-227-223
Fax: +61 7 3373-7333

Cascade New Zealand

15 Ra Ora Drive
East Tamaki, Auckland
New Zealand
Tel: +64-9-273-9136
Fax: +64-9-273-9137

**Sunstream Industries
Pte. Ltd.**

18 Tuas South Street 5
Singapore 637796
Tel: +65-6795-7555
Fax: +65-6863-1368

