



Parts Manual

Model QFM Sheet-Sav Push/Pull

Catalog Number 45E-QPA-127

cascade®
corporation

For Technical Assistance call: 800-227-2233, Fax: 888-329-8207

To Order Parts call: 888-227-2233, Fax: 888-329-0234

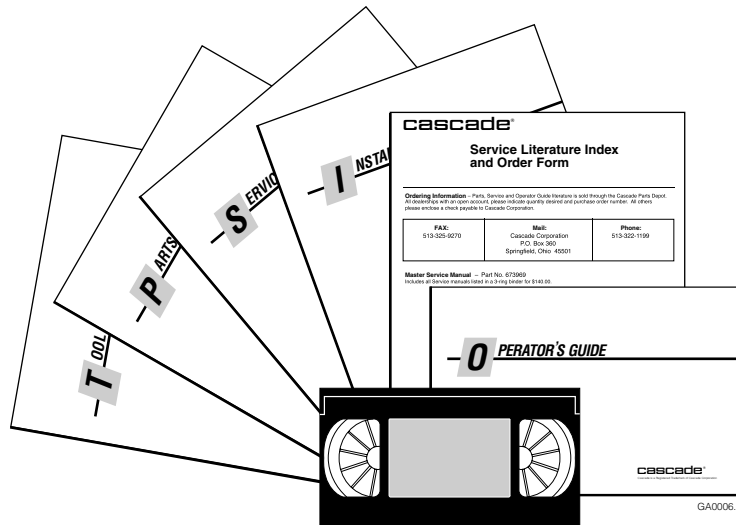
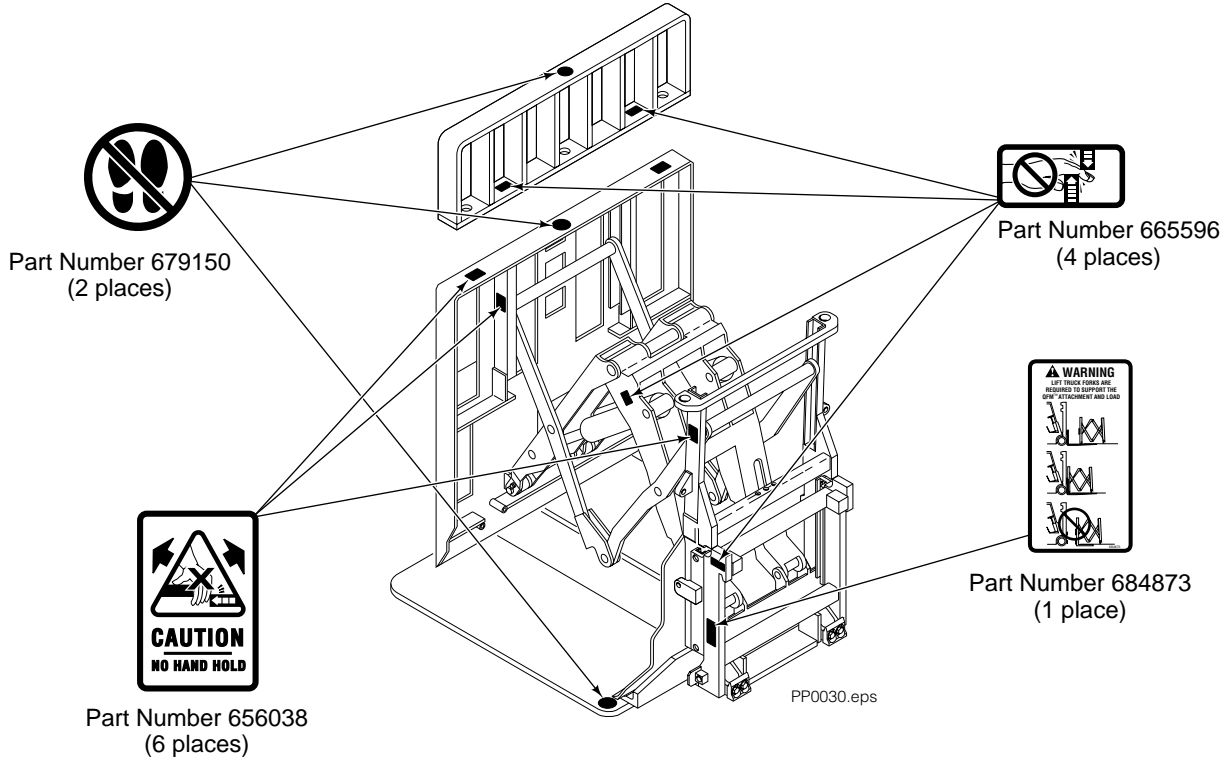
OR

Write: Cascade Corporation, P.O. Box 20187, Portland, OR 97220

Internet: www.cascorp.com

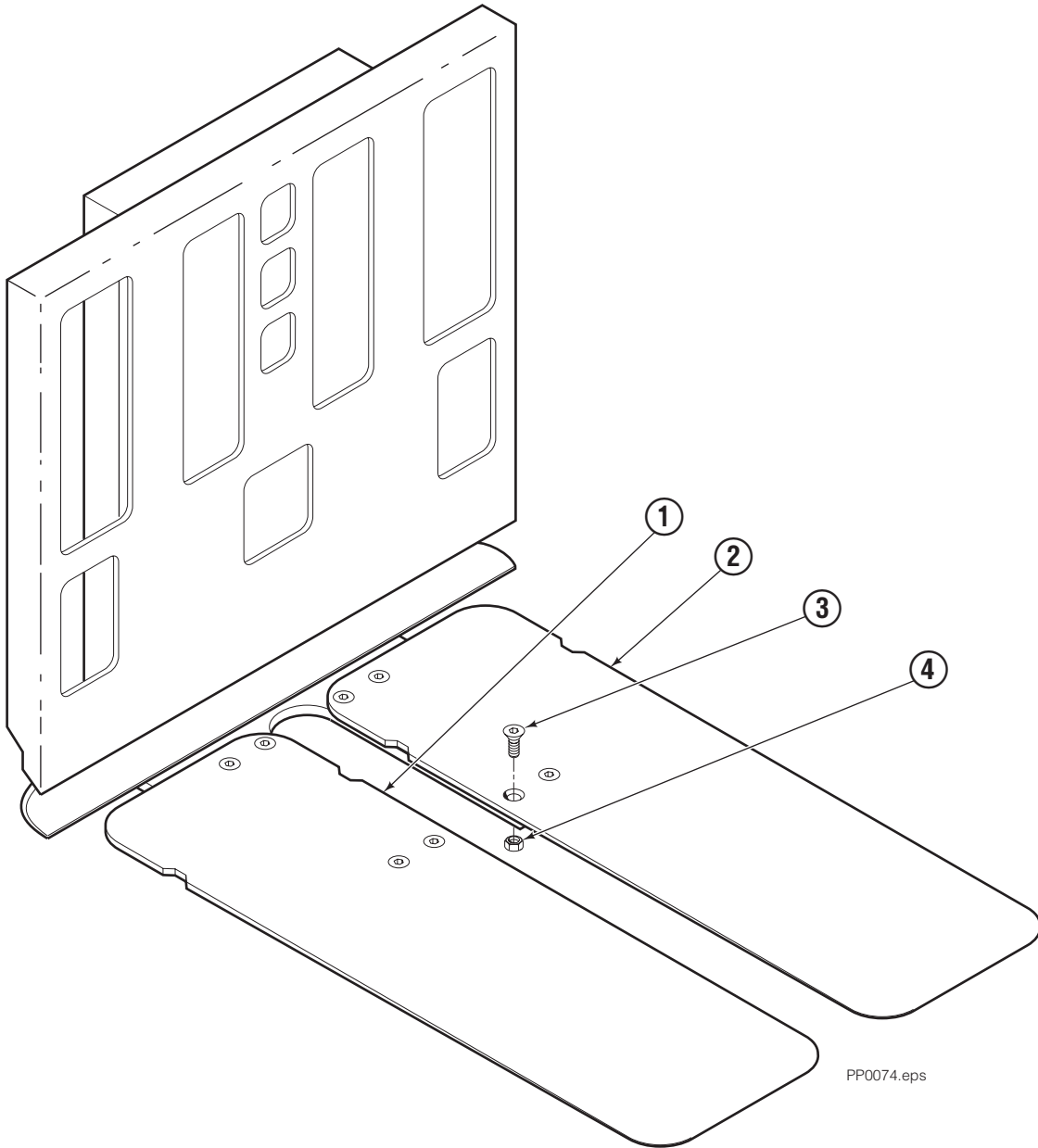
Decals

35E/45E QFM™ Sheet-Sav



PART NO.	DESCRIPTION
686455	Service Manual
684945	Operators Guide
685531	Operators Pocket Guide
684948	Installation Instructions
680664	Servicing Cascade Cylinders-VHS
679929	Tool Catalog
673964	Literature Index Order Form

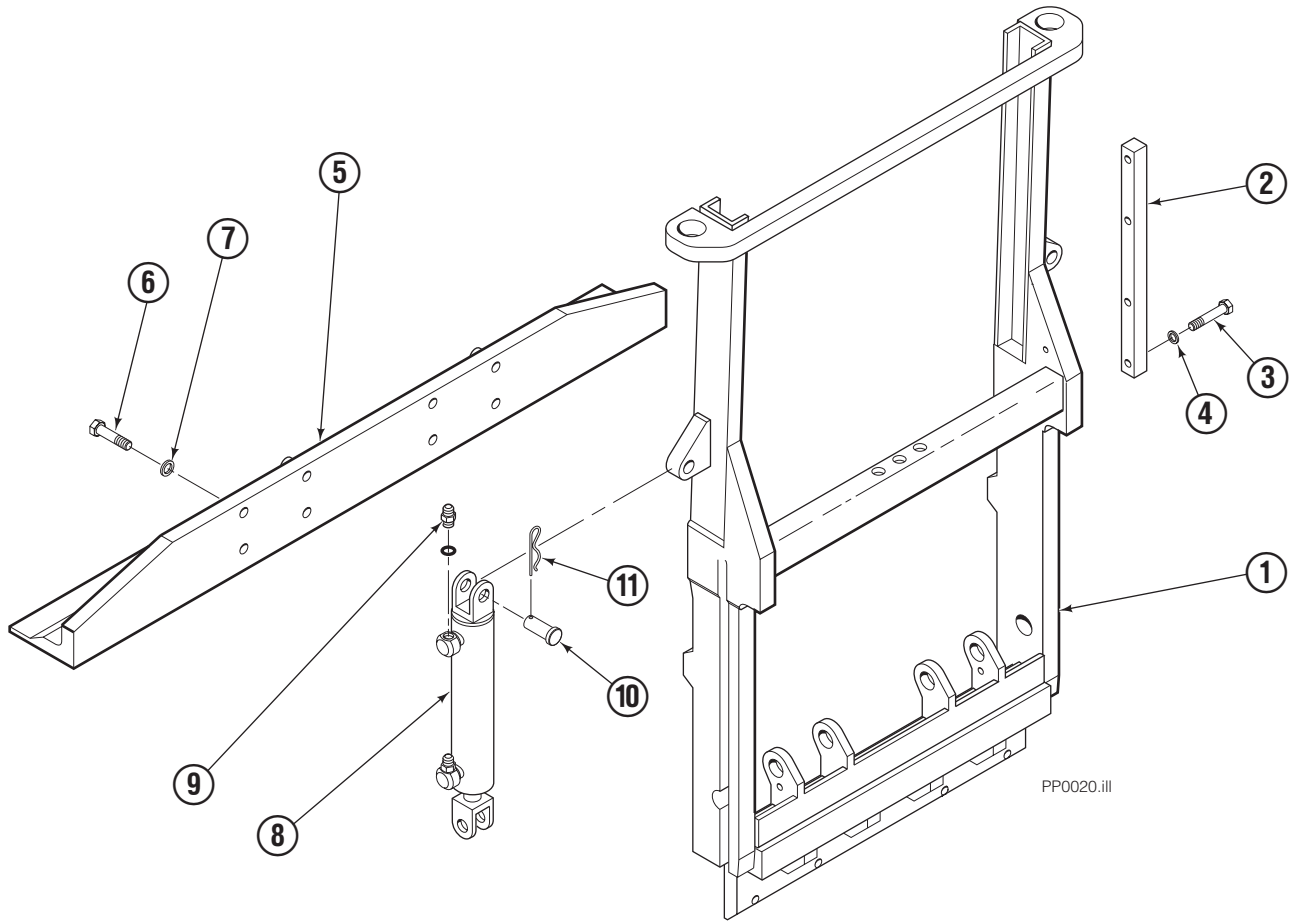
Platen Group



35E			
REF	QTY	PART NO.	DESCRIPTION
		207029	Platen Group
1	1	207034	Platen – RH, 18" x 48"
2	1	207033	Platen – LH, 18" x 48"
3	8	768705	Capscrew, M12 x 30
4	8	773842	Nut, M12

Reference: S-3351.

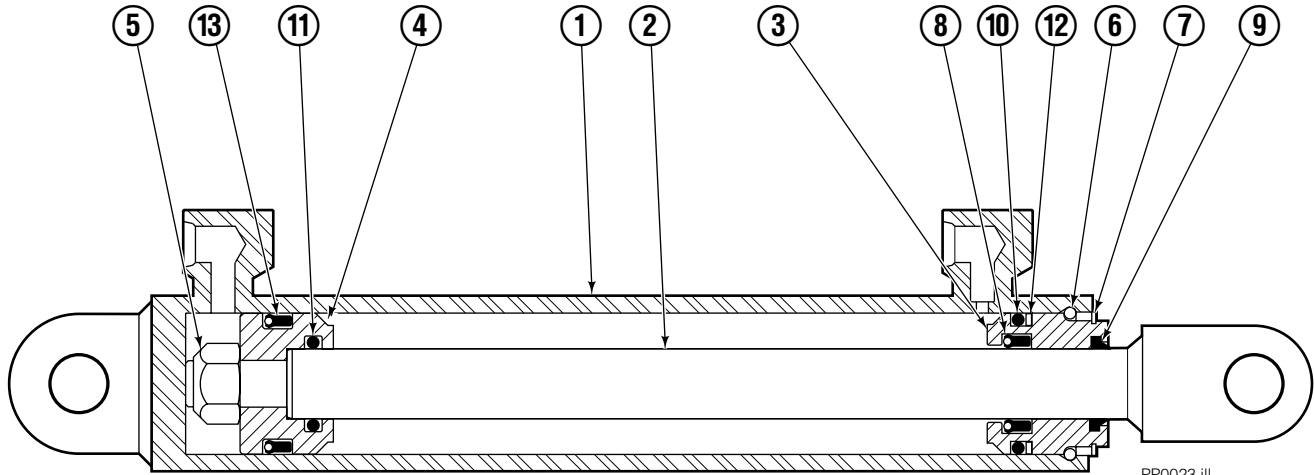
Frame Group



35E/45E			
REF	QTY	PART NO.	DESCRIPTION
		206950	Frame Group
1	1	206945	Frame
2	1	206954	Bar
3	2	768525	Capscrew, M8 x 40
4	2	686119	Washer, M8
5	1	206955	Foot
6	8	766929	Capscrew, M12 x 40
7	8	678991	Lockwasher, M12
8	2	583942	Cylinder ◆
9	4	617915	Fitting, 4-4
10	4	678525	Clevis Pin
11	4	672726	Cotter Pin

◆ See Cylinder page for parts breakdown.

Sheet-Sav Cylinder

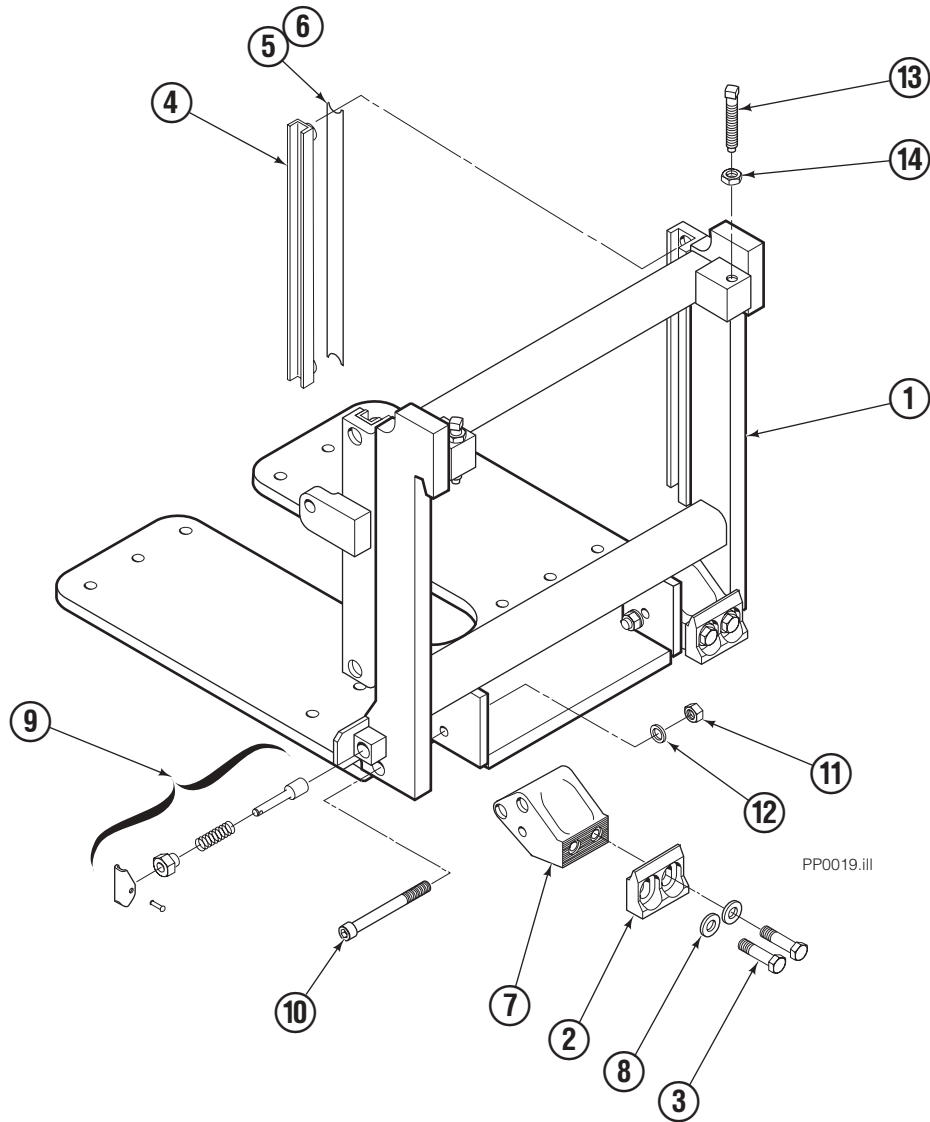


PP0023.ill

35E/45E			
REF	QTY	PART NO.	DESCRIPTION
		583942	Cylinder Assembly
1	1	564162	Shell
2	1	564165	Rod
3	1	685664	Retainer
4	1	685665	Piston
5	1	563462	Nut
6	1	563916	Seal
7	1	3137	Retaining Ring
8	1	646540	■ Seal
9	1	636850	■ Wiper
10	1	2718	■ O-Ring
11	1	2710	■ O-Ring
12	1	615122	■ Back-up Ring
13	1	663728	■ Seal

■ Included in Service Kit 684827.

QFM™ Platen Carrier Group

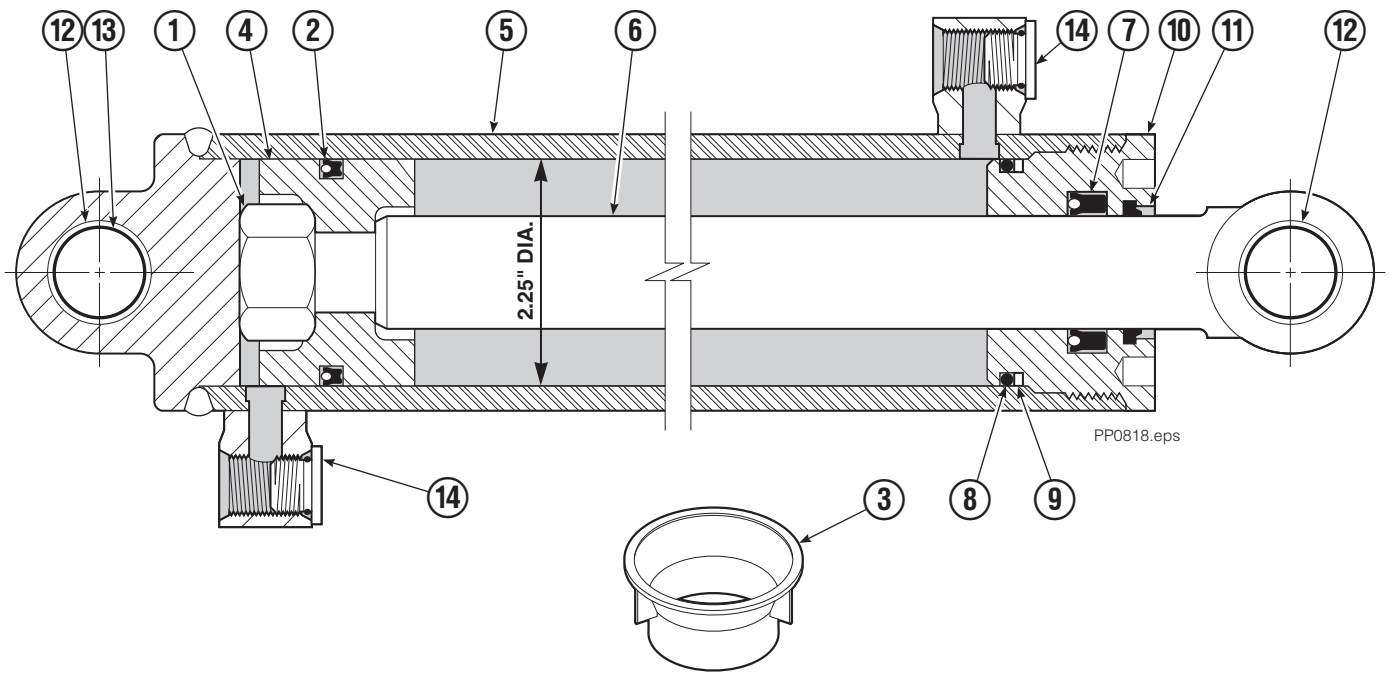


35E/45E

REF	QTY	PART NO.	DESCRIPTION	REF	QTY	PART NO.	DESCRIPTION
		207010	Platen Carrier Group ITA III	8	4	667910	Washer
1	1	207008	Platen Carrier ITA III	9	2	683189	Pin Assembly
2	2	685607	Hook ITA III	10	2	768837	Capscrew
3	4	768557	Capscrew ITA III	11	2	763025	Nut
4	2	206964	Bearing	12	2	681473	Lockwasher
5	■	674298	Shim (.015)	13	2	204938	Set Screw
6	■	674299	Shim (.020)	14	2	5930	Nut
7	2	683188	Pivot-Hook				

■ As required (1 maximum).

Cylinder Assembly

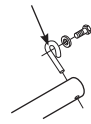


45E			
REF	QTY	PART NO.	DESCRIPTION
		582636	Cylinder Assembly
1	1	678019	Nut
2	1	564159	◆ Seal
3	1	671048	◆ Seal Loader Kit
4	1	564161	Piston
5	1	562717	Shell
6	1	558626	Rod
7	1	662448	◆ Seal
8	1	2787	◆ O-Ring
9	1	615130	◆ Back-Up Ring
10	1	558628	Retainer
11	1	636853	◆ Wiper
12	4	559697	Bearing
13	1	559698	Spacer
14	2	604510	Fitting, 6
		562339	Cylinder Service Kit

◆ Included in Service Kit 562339.

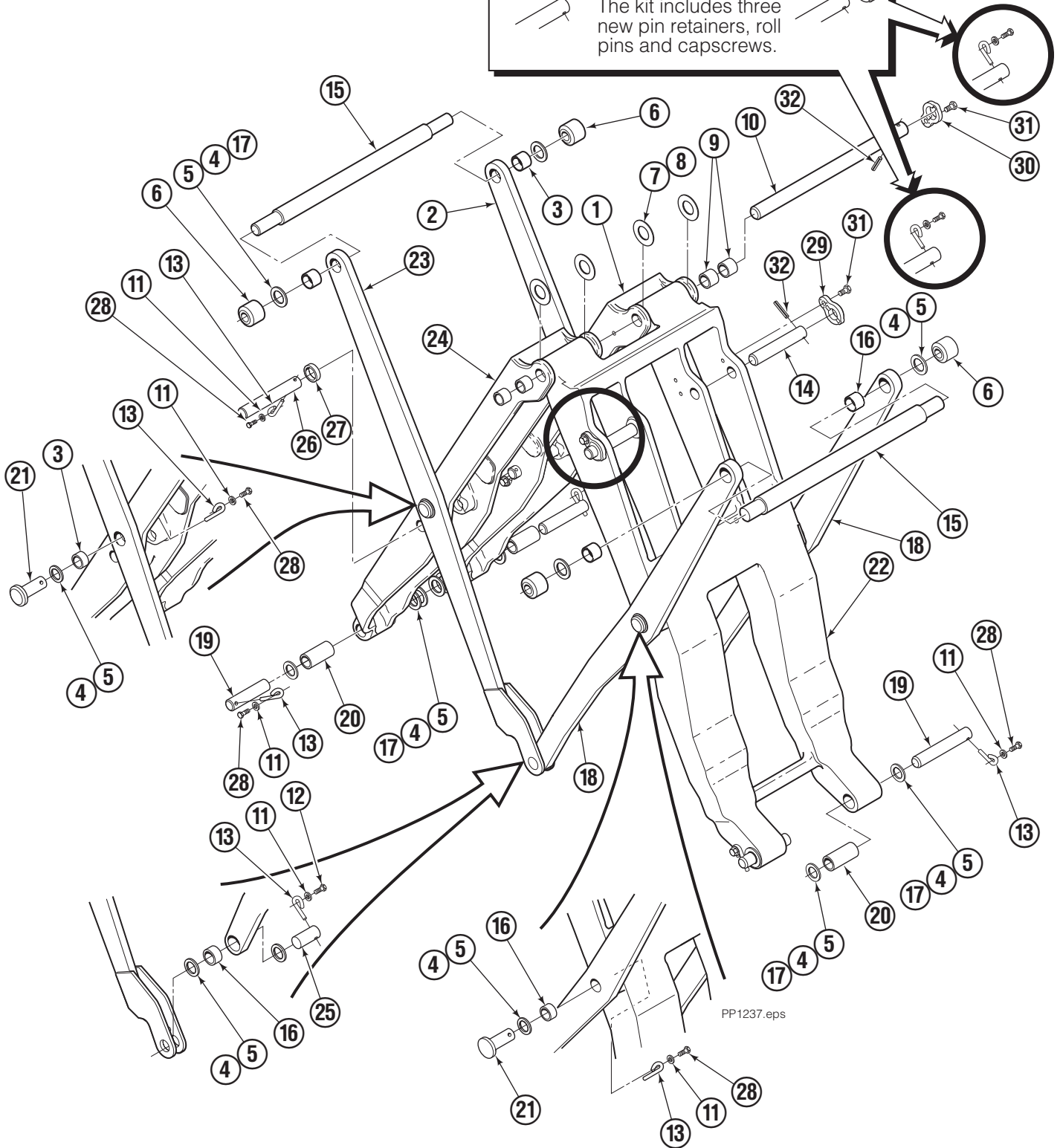
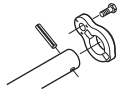
Mechanism Group

Eyepins



If eyepins in noted locations need replacement, order Service Kit 6051665. The kit includes three new pin retainers, roll pins and capscrews.

Service Kit

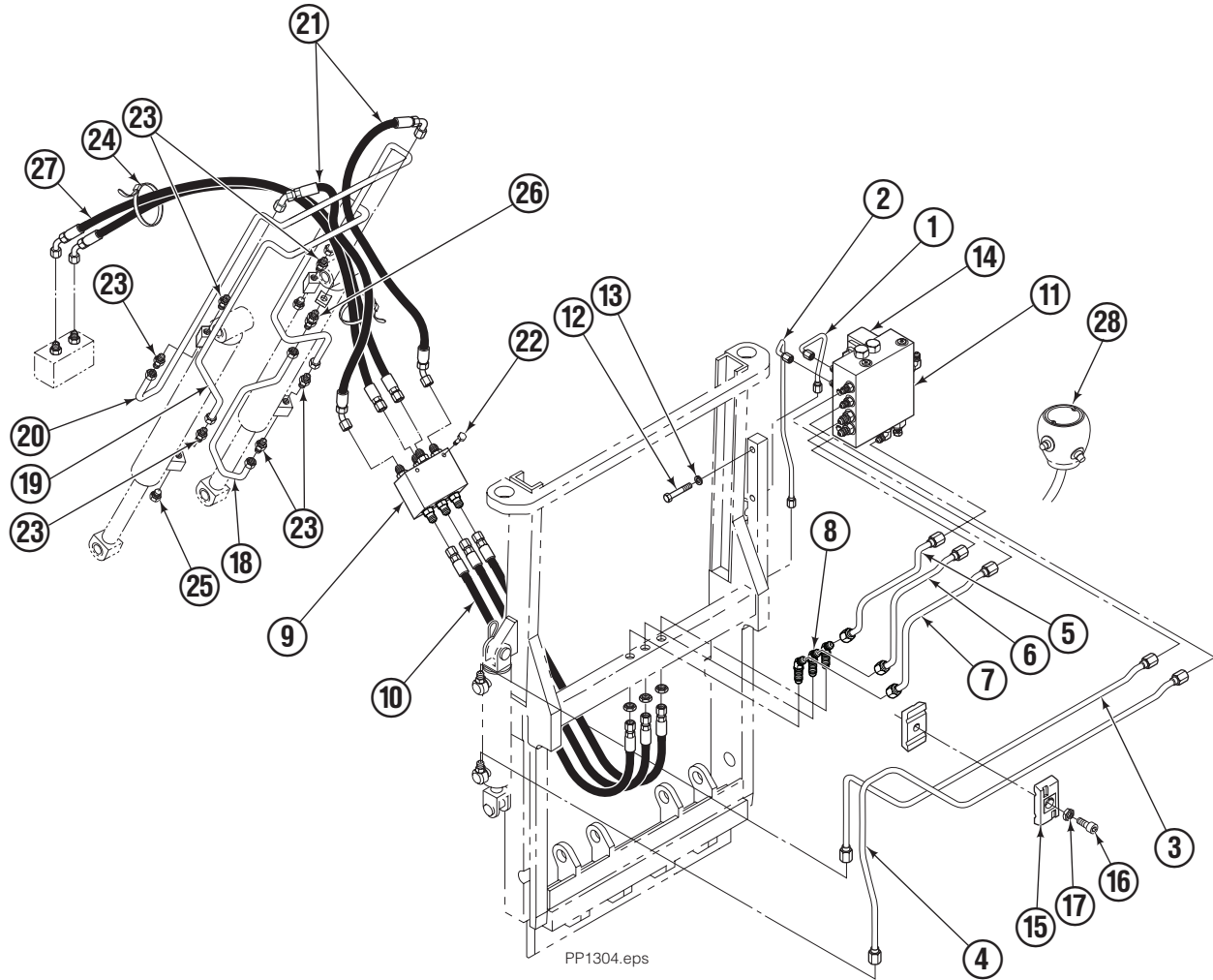


Mechanism Group

35E/45E			
REF	QTY	PART NO.	DESCRIPTION
		204644	Mechanism Group
1	1	204691	Arm – Inner Secondary RH
2	1	204692	Arm – Secondary Outer RH
3	4	683154	Bushing ■
4	●	683161	Shim (.030)
5	●	683162	Shim (.060)
6	4	205070	Roller
7	●	683163	Shim (.030)
8	●	683164	Shim (.060)
9	4	683155	Bushing ■
10	1	682821	Pin – Primary/Secondary Inner
11	12	6229	Washer
12	2	685661	Capscrew, M8 x 14
13	12	6020429	Eye Pin
14	2	682822	Pin – Head
15	2	205065	Pin
16	6	683153	Bushing ■
17	●	204532	Shim (.12)
18	2	204694	Arm – Outer Primary
19	4	204533	Pin – Frame
20	4	204535	Bushing ■
21	4	204695	Pin – Primary Outer
22	1	204604	Arm – Inner Primary
23	1	204693	Arm – Secondary Outer LH
24	1	204690	Arm – Inner Secondary LH
25	2	204696	Pin – Outer
26	2	682823	Pin – Rod
27	2	683165	Spacer
28	10	767961	Capscrew, M8 x 16
29	2	6045015	Retainer ◆ (or)
	2	6050227	Retainer ◆★
30	1	6047125	Retainer ◆ (or)
	1	6050414	Retainer ◆★
31	3	6047151	Capscrew, M8 x 16 ★
32	3	7913	Roll Pin ★

- Quantity as required.
- Included in Bushing Service Kit 205075.
- ◆ Confirm part number cast on retainer.
- ★ Included in Service Kit 6051665.

Hydraulic Group Without Gripper Control



REF	QTY	PART NO.	DESCRIPTION	REF	QTY	PART NO.	DESCRIPTION
		206940	Hydraulic Group (R4)	15	2	207041	Clamp
1	1	206931	Tube	16	1	787375	Capscrew, M8 x 20
2	1	206932	Tube	17	1	767414	Nut, M8
3	1	206933	Tube	18	1	200647	Tube
4	1	206934	Tube	19	1	209667	Tube
5	1	206935	Tube	20	1	209668	Tube
6	1	206936	Tube	21	2	209669	Hose, 15.50 in.
7	1	206937	Tube	22	2	765329	Capscrew, M8 x 20
8	3	2492	Fitting, 6-6	23	6	604511	Fitting, 6-6
9	1	206927	Junction Block Assembly ■	24	2	684956	Wire Tie
10	3	209670	Hose, 21.00 in.	25	2	604510	Fitting, 6
11	1	206942	Valve (without gripper control) ▲	26	1	2375	Fitting, 6-6
12	2	768525	Capscrew, M8 x 40	27	1	209671	Twinline Hose, 40.00 in.
13	2	686119	Washer, M8	28	1	206939	Knob (without gripper control) ●
14	1	669432	Diode				

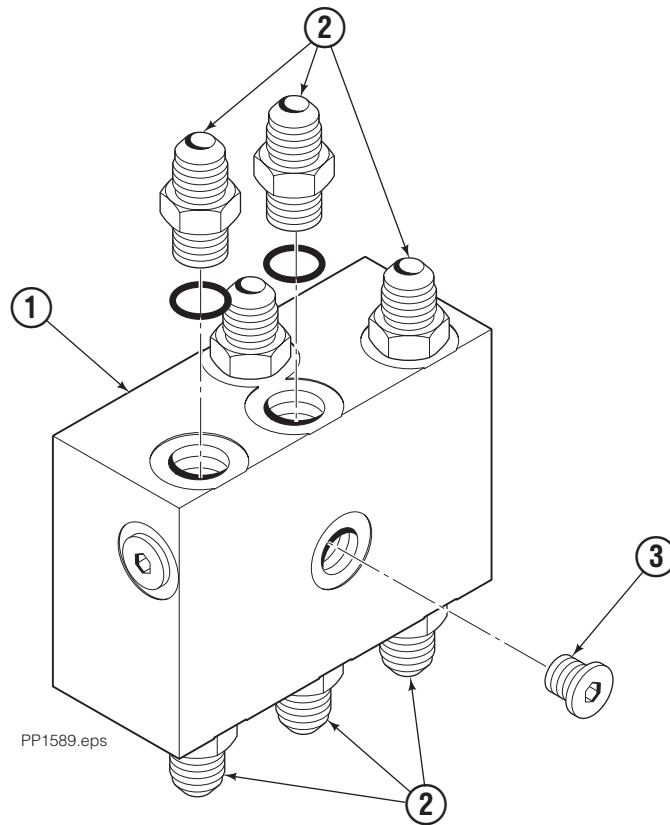
■ See Junction Block Assembly page for parts breakdown.

▲ See Valve page for parts breakdown.

● See Knob page for parts breakdown.

Reference: Hydraulic Components Group 209672,
Tube Group 3000558.

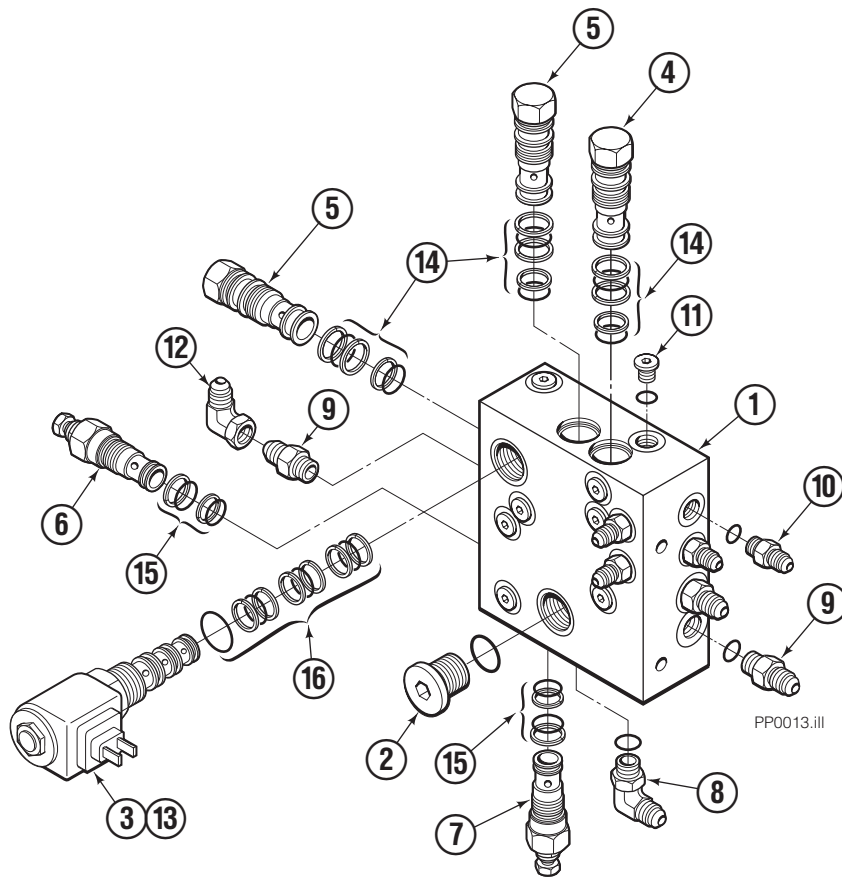
Junction Block Assembly



35E/45E			
REF	QTY	PART NO.	DESCRIPTION
		206927	Junction Block Assembly
1	1	206928	Junction Block
2	3	604511	Fitting, 6-6
3	2	609234	Plug, 4

Valve

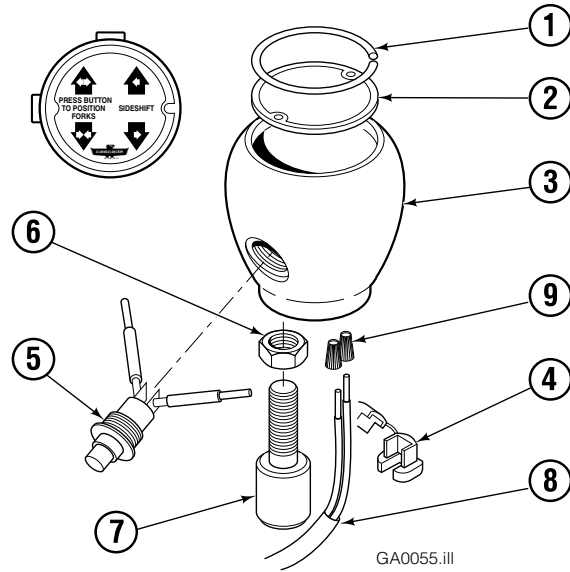
Without Independent Gripper Control



35E/45E			
REF	QTY	PART NO.	DESCRIPTION
		206942	Valve Assembly
1	1	206943	Valve Body
2	1	609453	Fitting, 10
3	1	206991	Solenoid Valve
4	1	206944	Check Valve
5	2	659058	Check Valve
6	1	677125	Relief Valve
7	1	677124	Relief Valve
8	2	601676	Fitting, 6-6
9	3	604511	Fitting, 6-6
10	4	617915	Fitting, 4-4
11	12	609234	Fitting, 4
12	1	2680	Fitting, 6-6
13	1	206995	Coil - 12V ●
13	1	206996	Coil - 24V ●
13	1	206997	Coil - 36V ●
13	1	206998	Coil - 48V ●
14	3	667516	Service Kit
15	2	669597	Service Kit
16	1	667379	Service Kit

● Not included in Valve Assembly.

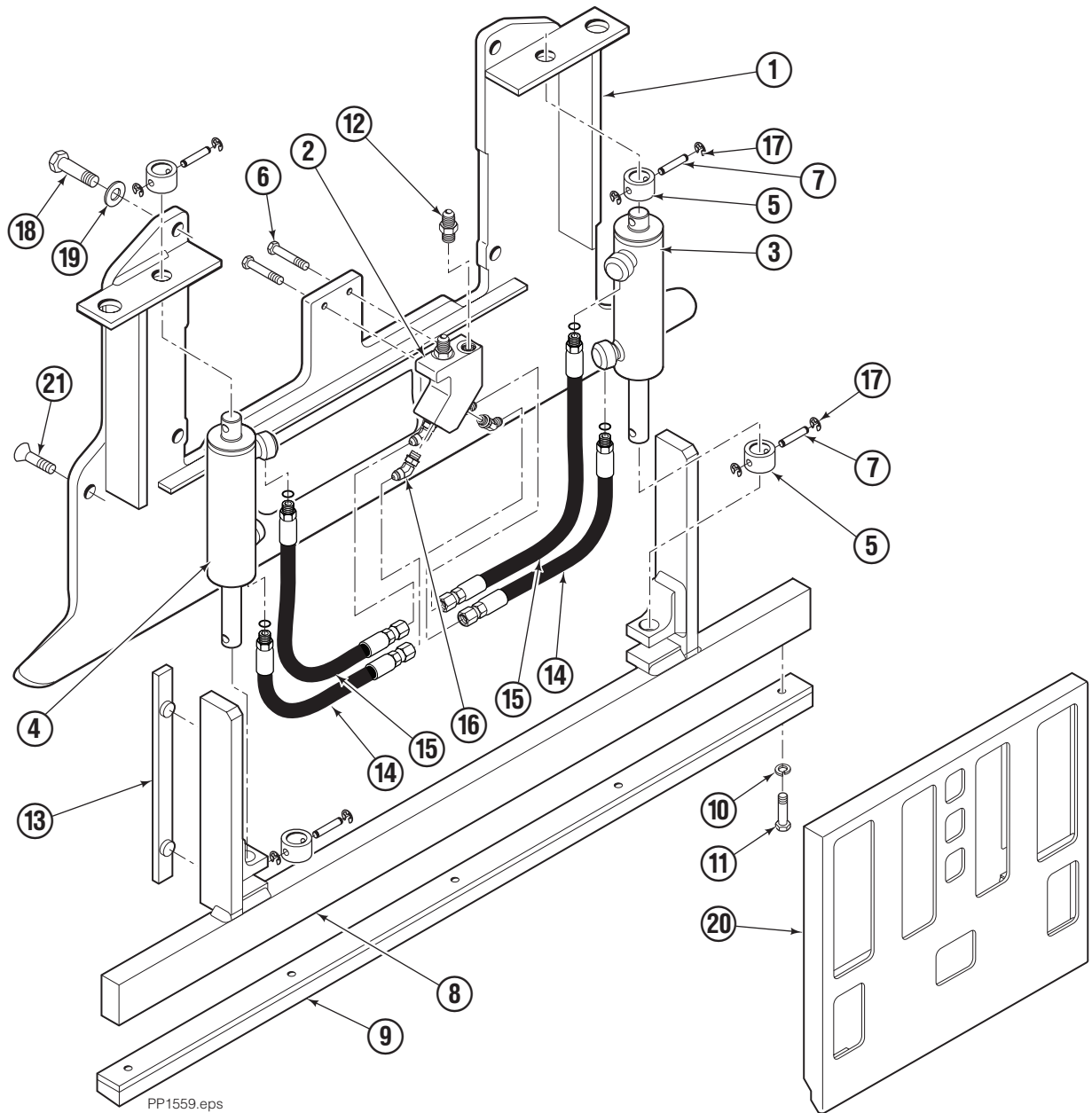
Control Knob Without Gripper Control



35E/45E			
REF	QTY	PART NO.	DESCRIPTION
		206939	Knob Group
1	1	665250	Snap Ring
2	1	206986	Cover
3	1	665012	Knob
4	1	665076	Strain Relief
5	1	677112	■ Switch
6	1	5902	Nut, 3/8 NC
7	1	665081	Adapter
8	1	667718	Cable Assembly
9	2	667752	Connector – Gray

■ This switch may be purchased without wires. Order part number 665004. Soldering is required.

Faceplate Group



35E/45E

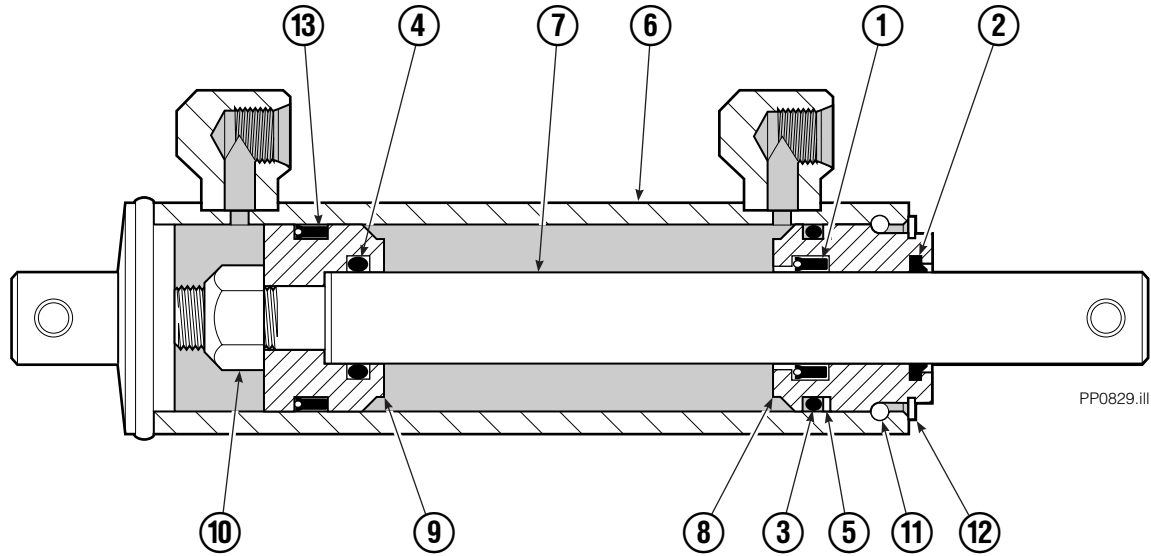
REF	QTY	PART NO.	DESCRIPTION	REF	QTY	PART NO.	DESCRIPTION
		6019140	Faceplate Group (R3)	11	5	787375	Capscrew, M8 x 20
		6020440	Gripper Jaw Assembly (R5) ●	12	2	604511	Fitting, 6-6
1	1	206396	Gripper Jaw	13	2	686573	Bearing
2	1	6002134	Valve	14	2	6002138	Hose, 315 mm
3	1	6020444	Gripper Cylinder, LH ◆	15	2	6002139	Hose, 450 mm
4	1	6020443	Gripper Cylinder, RH ◆	16	4	617918	Fitting, 4-4
5	4	6020462	Collar	17	8	669894	Retaining Ring
6	2	787373	Capscrew, M8 x 20	18	4	225346	Capscrew, M16 x 60
7	4	6014089	Pin	19	4	675620	Washer
8	1	6002135	Gripper Bar	20	1	6002142	Faceplate, 40 x 40 in. ■
9	1	672712	Gripper Pad	21	2	768714	Capscrew, M16 x 60
10	5	680253	Lockwasher, M8				

◆ See Gripper Cylinder page for parts breakdown.

■ Width x height.

● Includes items 1-17.

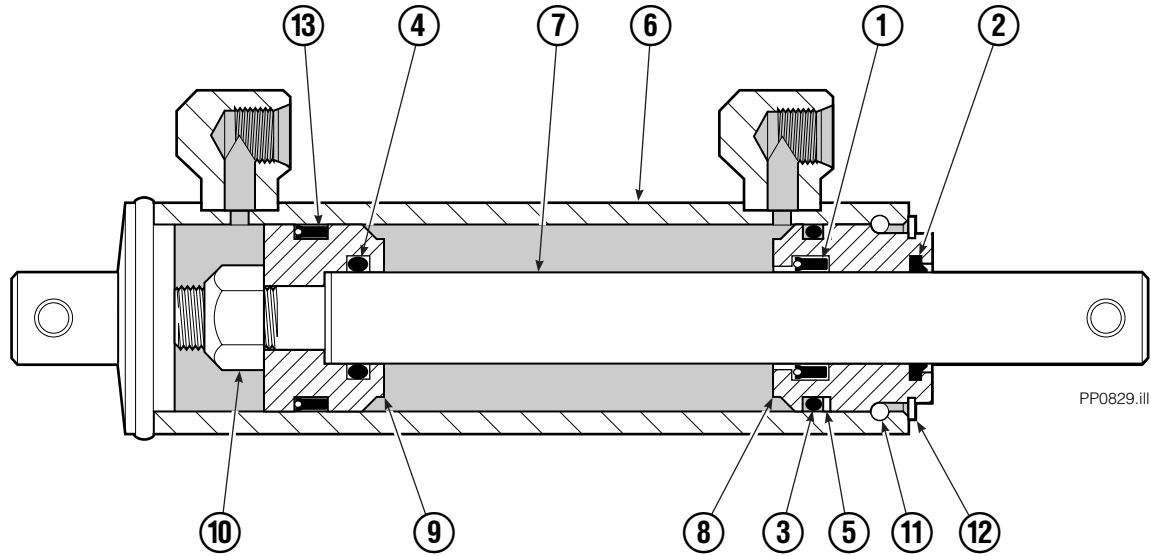
Gripper Cylinder Left Hand



REF	QTY	PART NO.	DESCRIPTION
		6020444	Gripper Cylinder - LH
1	1	646540	▼ Seal
2	1	636850	▼ Wiper
3	1	2718	▼ O-Ring
4	1	2710	▼ O-Ring
5	1	615122	▼ Back-Up Ring
6	1	6020453	Shell
7	1	6020461	Rod
8	1	685664	Retainer
9	1	685665	Piston
10	1	563462	Nut
11	1	563916	Ring
12	1	3137	Ring
13	1	663728	▼ Piston Seal

▼ Included in Service Kit 684827.

Gripper Cylinder Right Hand



REF	QTY	PART NO.	DESCRIPTION
		6020443	Gripper Cylinder – RH
1	1	646540	▼ Seal
2	1	636850	▼ Wiper
3	1	2718	▼ O-Ring
4	1	2710	▼ O-Ring
5	1	615122	▼ Back-Up Ring
6	1	6020452	Shell
7	1	6020461	Rod
8	1	685664	Retainer
9	1	685665	Piston
10	1	563462	Nut
11	1	563916	Ring
12	1	3137	Ring
13	1	663728	▼ Piston Seal

▼ Included in Service Kit 684827.

Do you have questions you need answered right now? Call your nearest Cascade Parts Department. Visit us online at www.cascorp.com

AMERICAS

**Cascade Corporation
Parts Sales**
2501 Sheridan Ave.
Springfield, OH 45505
Tel: 888-CASCADE (227-2233)
Fax: 888-329-0234

Cascade Canada Inc.
5570 Timberlea Blvd.
Mississauga, Ontario
Canada L4W-4M6
Tel: 905-629-7777
Fax: 905-629-7785

Cascade do Brasil
Rua João Guerra, 134
Macuco, Santos - SP
Brasil 11015-130
Tel: 55-13-2105-8800
Fax: 55-13-2105-8899

EUROPE-AFRICA

**Cascade Italia S.R.L.
European Headquarters**
Via Dell'Artigianato 1
37050 Vago di Lavagno (VR)
Italy
Tel: 39-045-8989111
Fax: 39-045-8989160

Cascade (Africa) Pty. Ltd.
PO Box 625, Isando 1600
60A Steel Road
Sparton, Kempton Park
South Africa
Tel: 27-11-975-9240
Fax: 27-11-394-1147

ASIA-PACIFIC

Cascade Japan Ltd.
2-23, 2-Chome,
Kukuchi Nishimachi
Amagasaki, Hyogo
Japan, 661-0978
Tel: 81-6-6420-9771
Fax: 81-6-6420-9777

Cascade Korea
121B 9L Namdong Ind.
Complex, 691-8 Gojan-Dong
Namdong-Ku
Inchon, Korea
Tel: +82-32-821-2051
Fax: +82-32-821-2055

Cascade-Xiamen
No. 668 Yangguang Rd.
Xinyang Industrial Zone
Haicang, Xiamen City
Fujian Province
P.R. China 361026
Tel: 86-592-651-2500
Fax: 86-592-651-2571

**Cascade India Material
Handling Private Limited**
No 34, Global Trade Centre
1/1 Rambaugh Colony
Lal Bahadur Shastri Road,
Navi Peth, Pune 411 030
(Maharashtra) India
Phone: +91 020 2432 5490
Fax: +91 020 2433 0881

Cascade Australia Pty. Ltd.
1445 Ipswich Road
Rocklea, QLD 4107
Australia
Tel: 1-800-227-223
Fax: +61 7 3373-7333

Cascade New Zealand
15 Ra Ora Drive
East Tamaki, Auckland
New Zealand
Tel: +64-9-273-9136
Fax: +64-9-273-9137

**Sunstream Industries
Pte. Ltd.**
18 Tuas South Street 5
Singapore 637796
Tel: +65-6795-7555
Fax: +65-6863-1368

