



Parts Manual

Model 45E Push-Pull

Serial Number 45E-PLB-115

cascade[®]

For Technical Assistance call: 800-227-2233, Fax: 888-329-8207

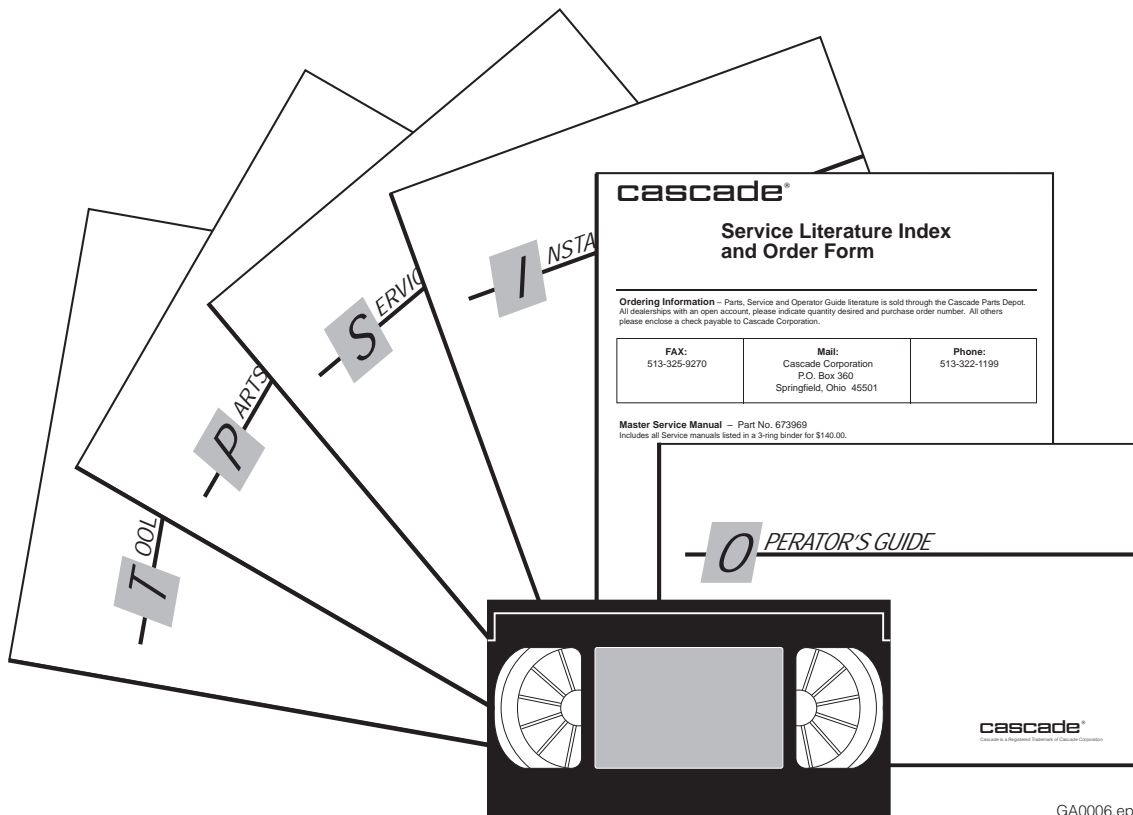
To Order Parts call: 888-227-2233, Fax: 888-329-0234

OR

Write: Cascade Corporation, P.O. Box 20187, Portland, OR 97220

Internet: www.cascorp.com

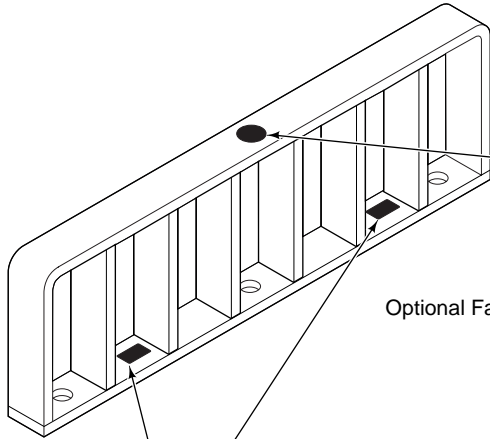
Publications



GA0006.eps

PART NO.	DESCRIPTION
	Parts Manual
686455	Service Manual
684945	Operators Guide
685531	Operators Pocket Guide
684944	Installation Instructions
680664	Servicing Cascade Cylinders-VHS
679929	Tool Catalog
673964	Literature Index Order Form

Decals



Optional Faceplate Extension



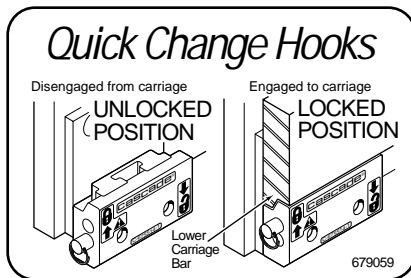
Part No. 679150
(1 Place & 1 optional)



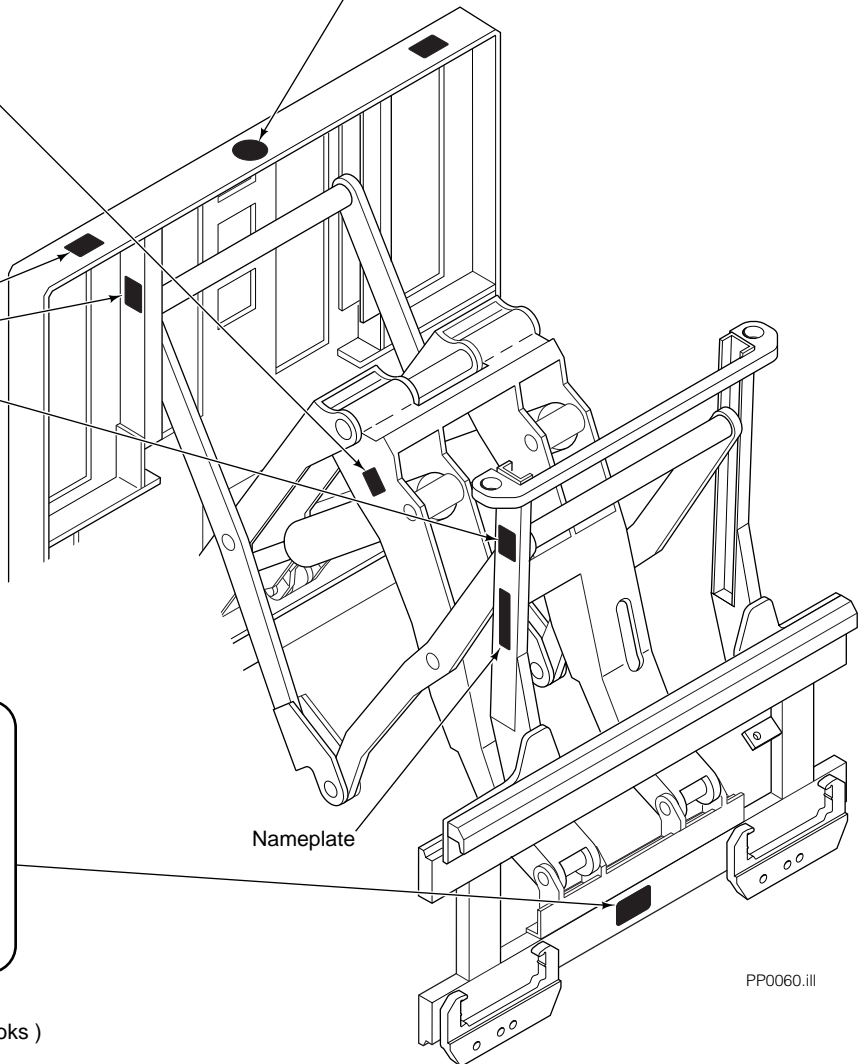
Part No. 665595
(2 Place & 2 optional)



Part No. 656038
(6 Places)



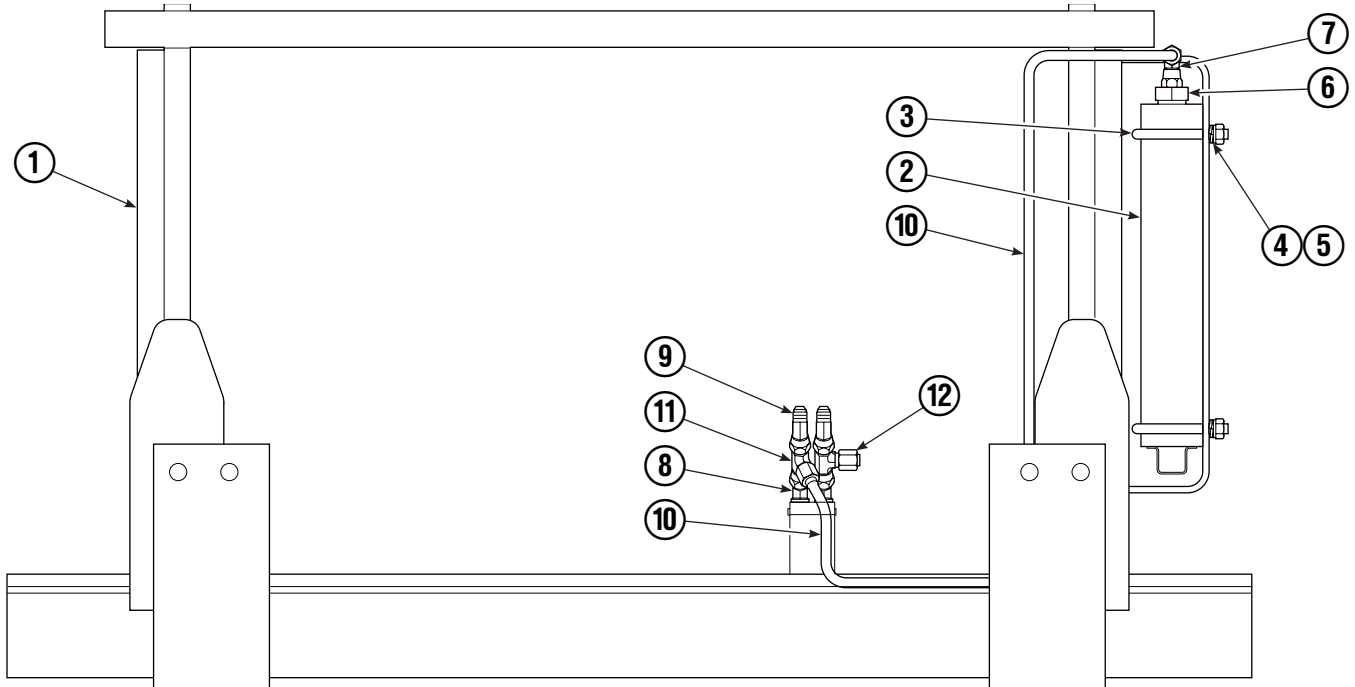
Part No. 679059
(1 Place if equipped with Quick Change Hooks)



Nameplate

PP0060.iii

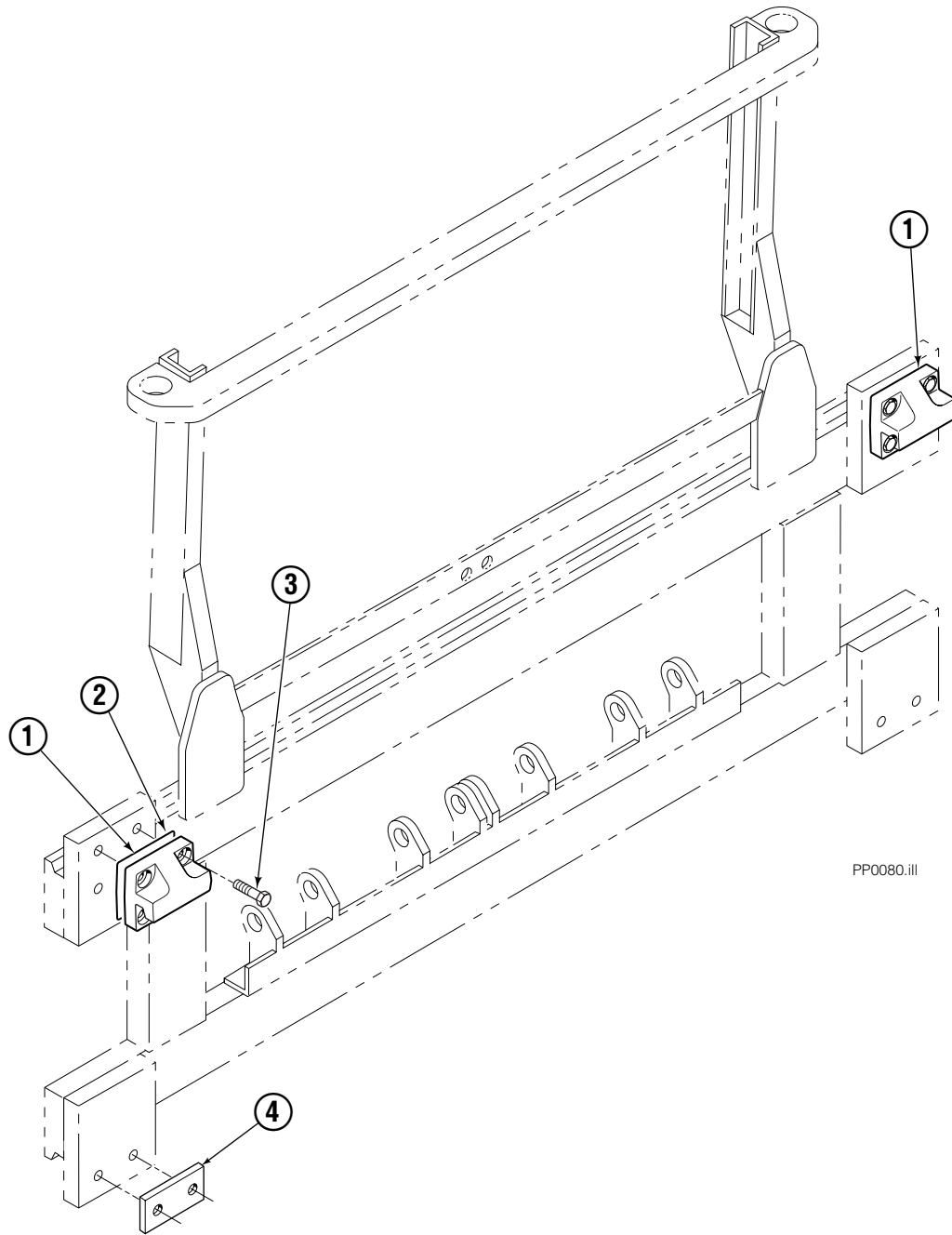
Frame Group ITA III



PP0230.iii

45E			
REF	QTY	PART NO.	DESCRIPTION
		397217	Frame Group ITA III
1	1	398688	Frame
2	1	364109	Accumulator
3	2	364099	U-Bolt
4	4	6288	Lockwasher
5	4	6230	Washer
6	1	205855	Fitting, 12-6
7	1	2680	Fitting, 6-6
8	2	2492	Fitting, 6-6
9	2	605230	Fitting, 6-6
10	1	395129	Tube Assembly
11	2	611329	Fitting, 6-6
12	1	2645	Nut Cap

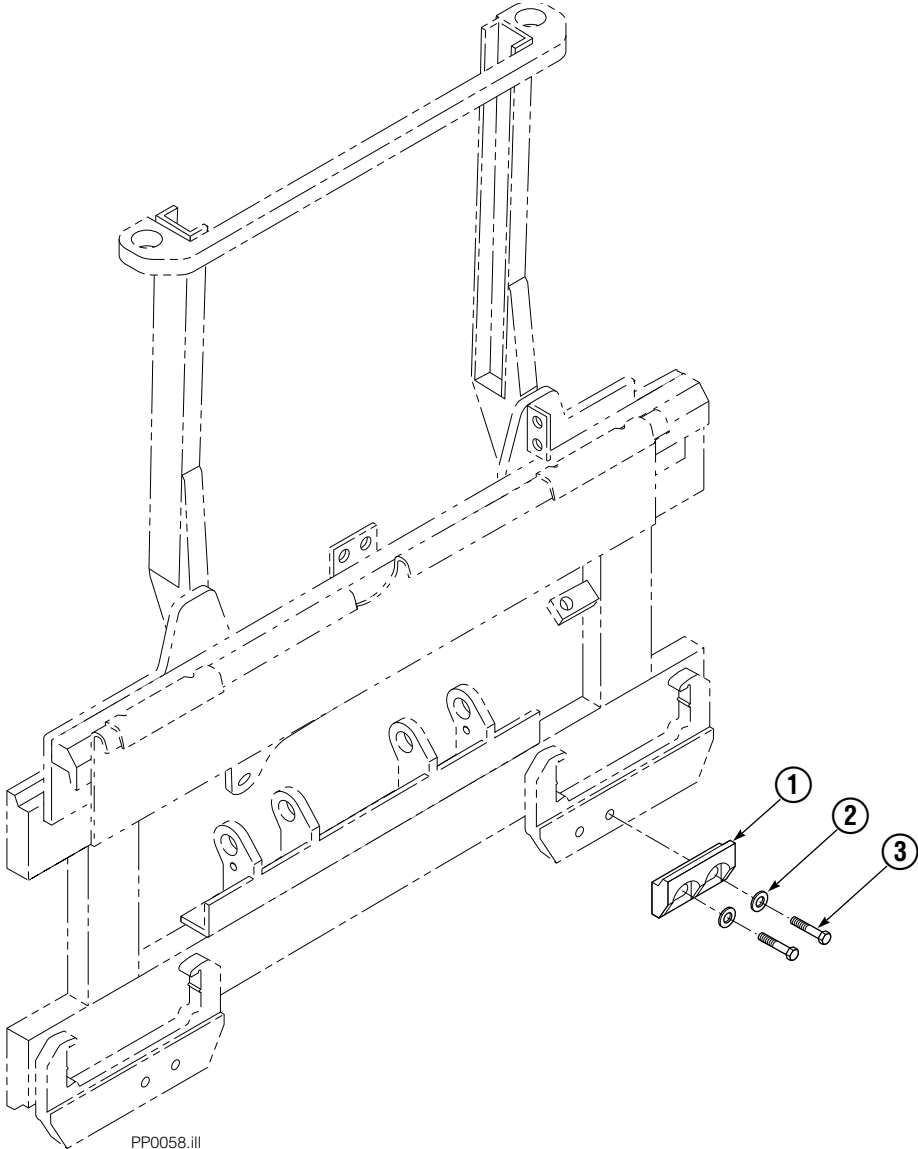
Non S/S Mounting Group ITA III



PP0080.iii

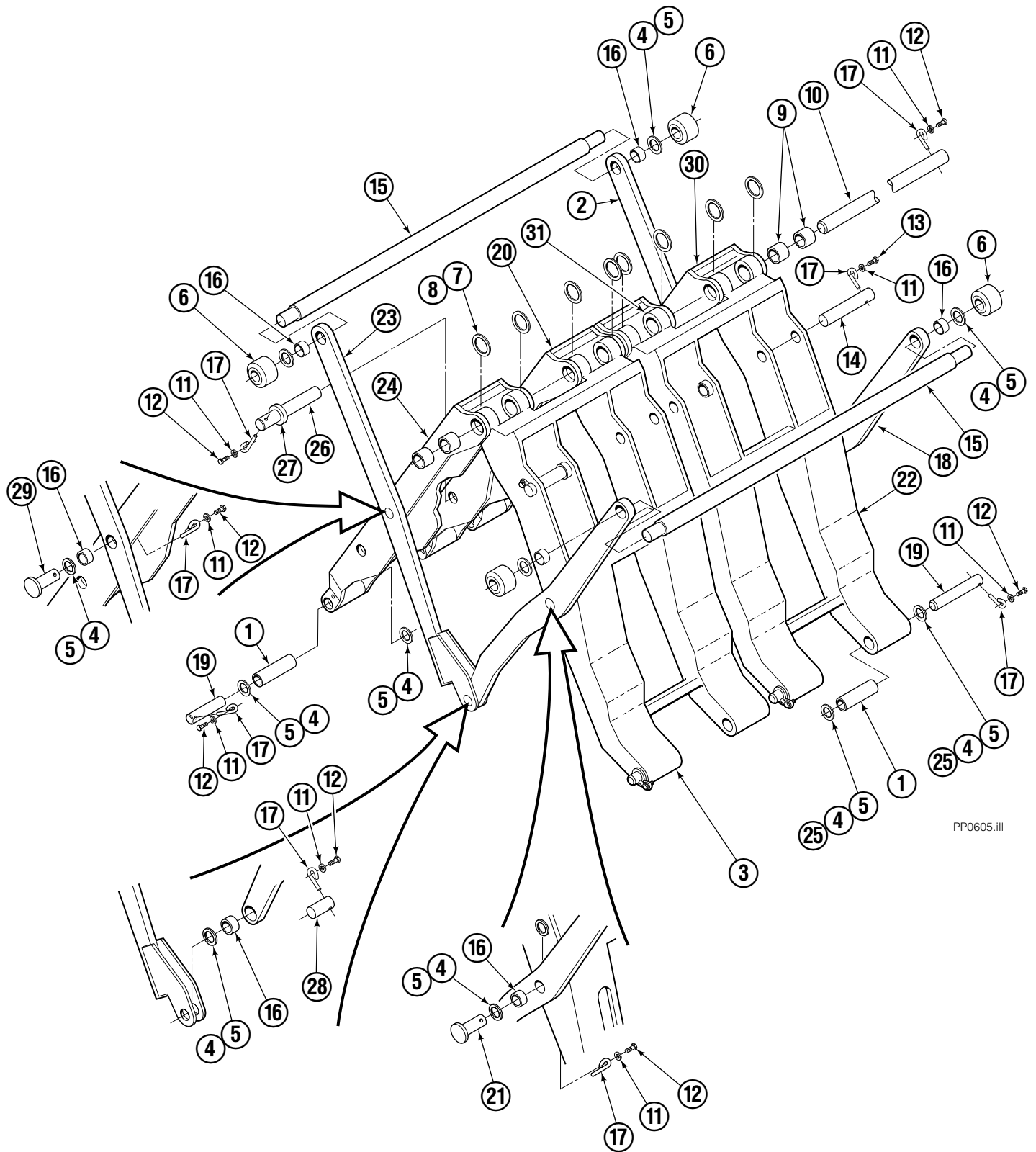
45E			
REF	QTY	PART NO.	DESCRIPTION
		384417	Mounting Group
1	1	358067	Hook
1	1	358068	Hook
2	2	—	Spacer
3	4	201729	Capscrew
4	2	—	Spacer

Bolt-On Lower Hook Group – ITA III



35E/45E			
REF	QTY	PART NO.	DESCRIPTION
		683180	Lower Hook Group ITA III
1	2	679361	Hook
2	4	667225	Washer
3	4	779010	Capscrew

Mechanism Group



PP0605.iii

Mechanism Group

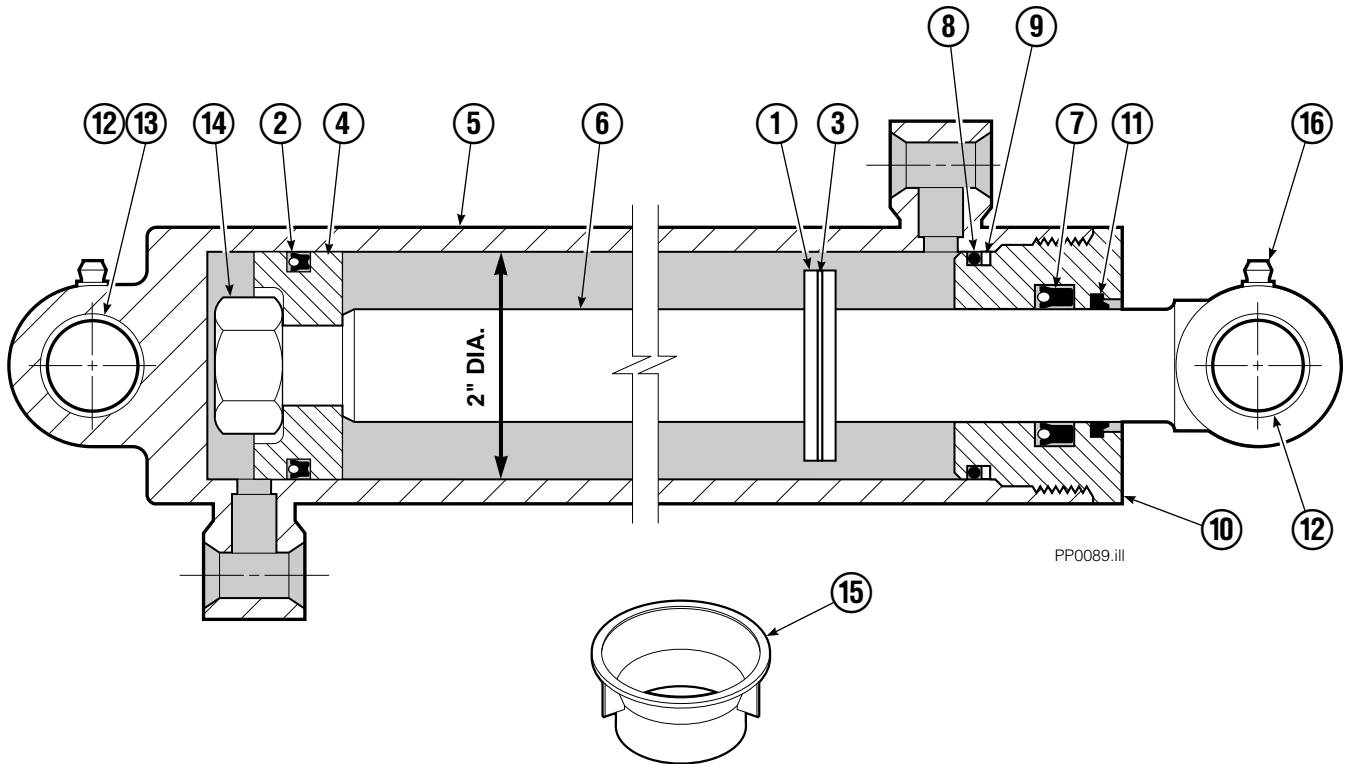
45E			
REF	QTY	PART NO	DESCRIPTION
		6001189	Mechanism Group
1	20	360869	Bushing ■
2	1	364116	Arm – Secondary Outer RH
3	1	379026	Arm – Primary Inner LH
4	●	683161	Shim (.030")
5	●	683162	Shim (.060")
6	4	205070	Roller
7	●	683163	Shim (.030")
8	●	683164	Shim (.060")
9	8	683155	Bushing ■
10	1	364676	Pin
11	19	6229	Washer, .312
12	17	767961	Capscrew, M8 x 16
13	2	685661	Capscrew, M8 x 14
14	2	682822	Pin – Head
15	2	380301	Pin
16	6	689202	Bushing ■
17	19	689954	Eye Pin
18	2	364115	Arm – Primary Outer
19	8	204533	Pin – Frame
20	1	379027	Arm – Secondary Inner RH
21	2	364677	Pin – Outer
22	1	379025	Arm – Primary Inner RH
23	1	364117	Arm – Secondary Outer LH
24	1	378366	Arm – Secondary Inner LH
25	●	204532	Shim (.090")
26	2	682823	Pin – Rod
27	2	683165	Spacer
28	2	364678	Pin – Outer
29	2	364677	Pin – Outer
30	1	378367	Arm – Secondary Inner RH
31	1	6001191	Arm - Secondary Inner LH R.S.
32	12	7401	Grease Fitting (not shown)

● Quantity as required.

■ Included in Service Kit 205077.

Reference: Arm Group 6001190.

Cylinder

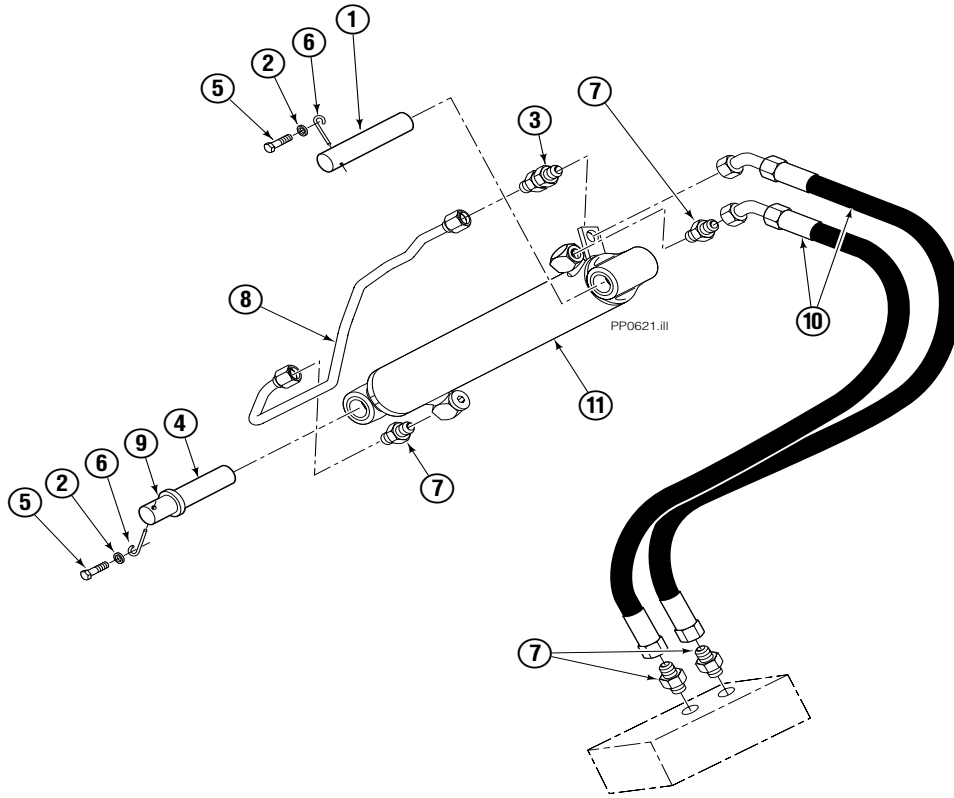


PP0089.ill

REF	QTY	PART NO.	DESCRIPTION
		355504	Cylinder Assembly
1	1	---	Spacer
2	1	562552	Seal ■
3	1	7348	Snap Ring
4	1	562334	Piston
5	1	562716	Shell
6	1	558626	Rod
7	1	559705	Seal ■
8	1	2785	O-Ring ■
9	1	615128	Back-Up Ring ■
10	1	559696	Retainer
11	1	636853	Wiper ■
12	4	559697	Bearing
13	1	559698	Spacer
14	1	678019	Nut
15	1	671047	Seal Loader Kit ■
16	2	7401	Grease fitting

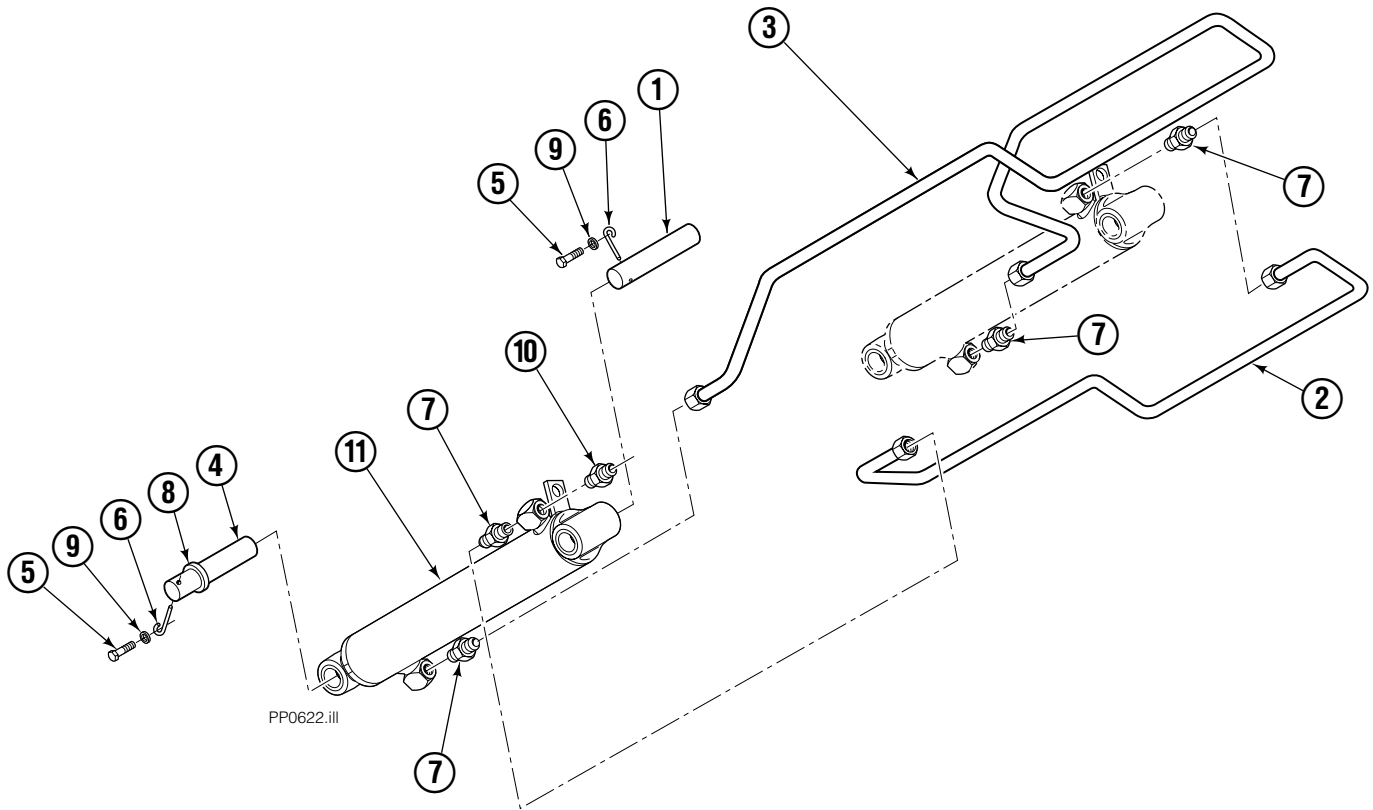
■ Included in Service Kit 562338.

3rd Cylinder Group



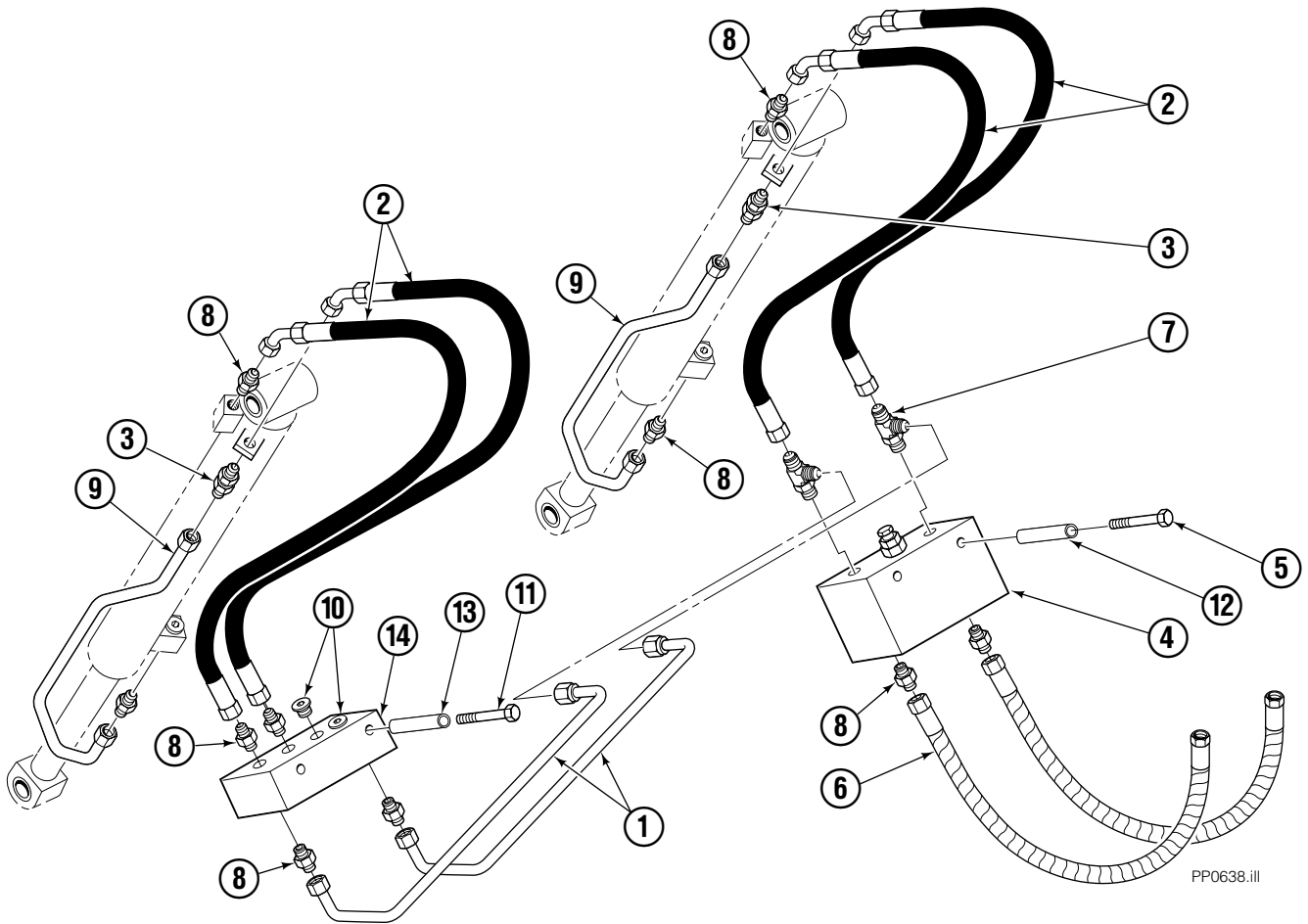
45E			
REF	QTY	PART NO.	DESCRIPTION
		6001192	3rd Cylinder Group
1	1	682822	Pin – Head
2	2	6229	Washer
3	1	2375	Fitting, 6-6
4	1	682823	Pin – Rod
5	2	767961	Capscrew, M8 x 16
6	2	689954	Eye Pin
7	4	604511	Fitting, 6-6
8	1	200647	Tube
9	1	683165	Spacer
10	2	683173	Hose
11	1	355504	Cylinder

4th Cylinder Group



45E			
REF	QTY	PART NO.	DESCRIPTION
		6001193	4th Cylinder Group
1	1	682822	Pin - Head
2	1	200649	Tube
3	1	200648	Tube
4	1	682823	Pin - Rod
5	2	767961	Capscrew, M8x16
6	2	689954	Eye Pin
7	4	605235	Fitting, 5-6
8	1	683165	Spacer
9	2	6229	Washer
10	1	604511	Fitting, 6-6
11	1	355504	Cylinder

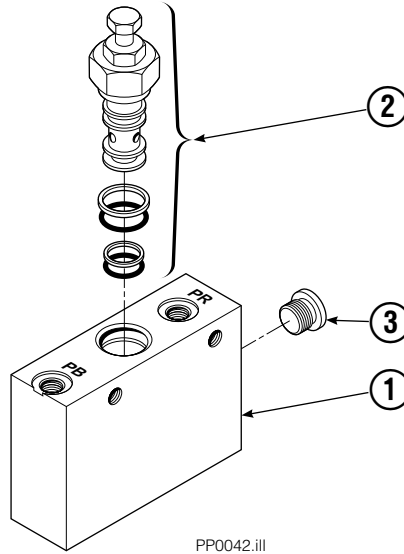
Hydraulic Group



35E/45E			
REF	QTY	PART NO.	DESCRIPTION
		351001	Hydraulic Group ITA III
1	2	351621	Tube
2	4	683173	Hose
3	2	2375	Fitting, 6-6
4	1	688384	Valve ■
5	2	368524	Capscrew
6	2	685981	Hose
7	2	611307	Fitting, 5-6
8	10	604511	Fitting, 6-6
9	2	682995	Tube
10	2	604510	Plug, 6
11	2	768528	Capscrew
12	2	353621	Spacer
13	2	353620	Spacer
14	1	200372	Junction Block

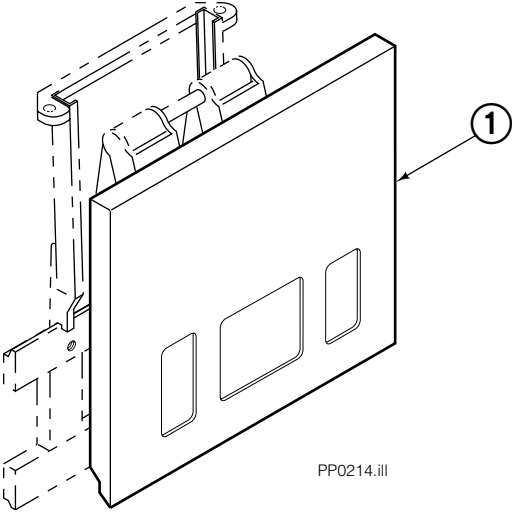
■ Please see Valve page for parts breakdown.

Valve Load Push



35E/45E			
REF	QTY	PART NO.	DESCRIPTION
		688384	Valve Assembly
1	1	688385	Body
2	1	687224	Relief Valve
3	2	663694	Fitting, 3

Faceplate Group



REF	QTY	PART NO.	DESCRIPTION
		397222	Faceplate Group 40" x 40" ■
1	1	397225	Faceplate

■ Width x height.

Do you have questions you need answered right now? Call your nearest Cascade Parts Department.

Cascade Corporation
2501 Sheridan Avenue
Springfield, OH 45505
Tel: 888-CASCADE (227-2233)
FAX: 888-329-0234
www.cascorp.com

Cascade Canada Inc.
5570 Timberlea Blvd.
Mississauga, Ontario
Canada L4W-4M6
Tel: 905-629-7777
FAX: 905-629-7785

Cascade GmbH
D-41199 Monchengladbach
Klosterhofweg 52
Germany
Tel: 21-66-602091
FAX: 21-66-680947

Cascade Finland
01370 Vantas
Finland
Tel: 358-0-836-1925
FAX: 358-0-836-1935

**Cascade N.V.
European Headquarters**
P.O. Box 3009
1300 El Almere
Damsluisweg 56
1332 ED Almere
The Netherlands
Tel: 31-36-5492911
FAX: 31-36-5492964

**Cascade N.V.
Benelux Sales and Service**
P.O. Box 3009
1300 El Almere
Damsluisweg 56
1332 ED Almere
The Netherlands
Tel: 31-36-5492950
FAX: 31-36-5492974

Cascade (UK) Ltd.
15, Orgreave Crescent
Dore House Industrial Estate
Handsworth
Sheffield S13 9NQ
England
Tel: 742-697524
FAX: 742-695121

**Cascade Scandinavia
Hydraulik A.B.**
Muskötgatan 19, E8-9
S25466 Helsingborg
Sweden
Tel: 42-151135
FAX: 42-152997

Cascade Norway
Østerliveien 37A
1153 Oslo
Norway
Tel: 47-22-743160
FAX: 47-22-743157

Cascade France S.A.R.L.
11, Rue Jean Charcot
Zone Industrielle Sud or
B.P. 22
91421 Morangis Cedex
France
Tel: 1- 64547501
FAX: 1-9790584

Cascade Hispania S.A.
Avenida De La Fabregada, 7
Hospitalet De Llobregat
Barcelona
Spain
Tel: 3-335-5158
FAX: 3-335-4756

Cascade Japan Ltd.
5-5-41,
Torikai Kami
Settsu, Osaka
Japan, 566
Tel: 81-726-53-3490
FAX: 81-726-53-3497

Cascade Korea
Room 508, Pum Yang Bldg.
750-14, Bang Bac-Dong
Se-Cho Ku, Seoul
Korea
Tel: 2599-7131 ext. 512
FAX: 2533-8089

HYCO-Cascade Pty. Ltd.
1445 Ipswich Road
Rocklea,
Queensland 4107
Australia
Tel: 3-274-2722
FAX: 3-274-3456

HYCO-Cascade (NZ) Ltd.
15 Ra Ora Drive, East Tamaki
P.O. Box 38-440
Howick, Auckland
New Zealand
Tel: 9-273-9136
FAX: 9-273-9137

Cascade (Africa) Pty. Ltd.
P.O. Box 625, Isando 1600
60A Steel Road
Sparton, Kempton Park
South Africa
Tel: 975-9240
FAX: 394-1147

Cascade-Xiamen
Wanshan No. 1 Workshop
Huli Road
Xiamen 361006
Fujian, PRC
Tel: 592-562-4600
FAX: 592-562-4671

**Cascade (Singapore)
Trading Co.**
Four Seasons Park
Autumn Block - Apt. 1802
12 Cascaden Walk
Singapore
Tel: 65-834-1935
FAX: 65-834-1936

