



Parts Manual

55D Pivot Arm Paper Roll Clamp

Serial Numbers 674622 through 675544

Manual Number 676425

cascade[®]

Cascade is a Registered Trademark of Cascade Corporation

HOW TO USE THIS MANUAL

Introduction

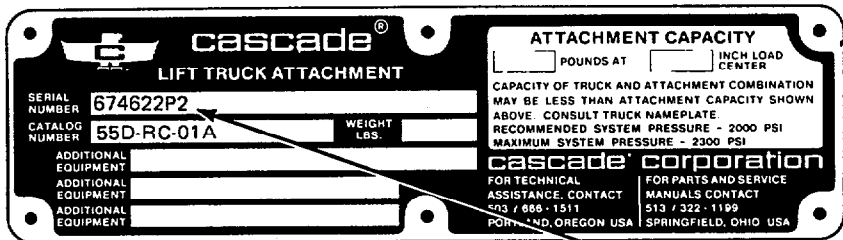
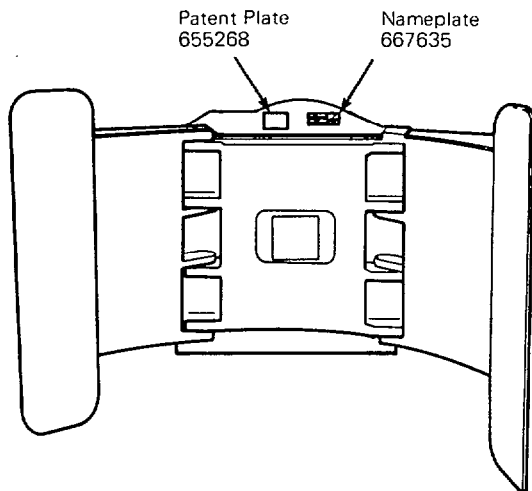
This manual illustrates service replacement parts for standard production Cascade 55D Pivot Arm Paper Roll Clamps.

The parts manuals for attachments designed by the Application Engineering Department have an S.E.L. designation on the cover of the manual. This standard attachment manual is not interchangeable with an S.E.L. Manual since it does not reflect the special engineering of an S.E.L. attachment.

To locate a service replacement part for a standard attachment follow the steps below.

1. Locate the Nameplate

The nameplate is attached to the front of the rotator frame. If the nameplate is missing, all necessary information is stamped into the frame at the same location.



2. Note the Serial Number

Record the serial number.

3. Refer to Serial Number Index

The Serial Number Index on page i contains a listing of serial numbers, beginning with the lowest number first.

Locate your serial number in this Index.

The columns to the right of the serial number will give you the correct page number for specific parts groups.

4. Ordering

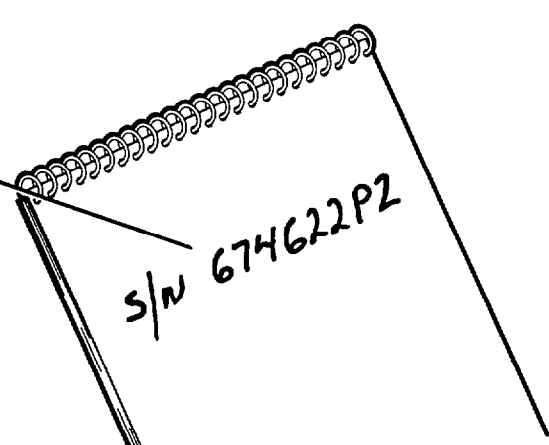
Retail Customers. Cascade Service Replacement Parts and Literature are sold through authorized lift truck dealers. To order, contact the lift truck dealer of your choice.

Lift Truck Dealers. To order Service Replacement Parts or Literature, contact:

Cascade Parts Depot
2501 Sheridan Avenue
P.O. Box 360
Springfield, Ohio 45505
(513) 322-1199
Telex: 205413

5. Parts Log

We have supplied a parts ordering log located on the last page. Use this log as a permanent record of parts ordered from this manual.

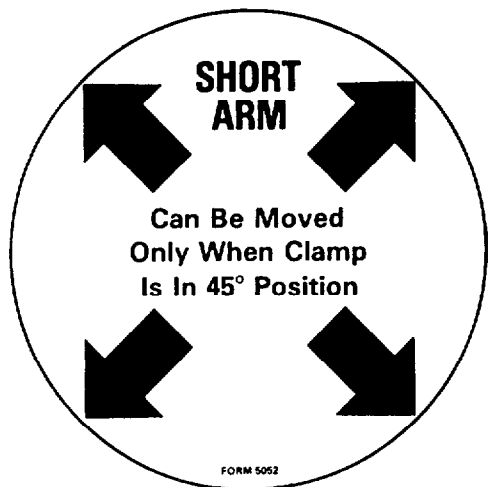


Serial Number Index

Serial Number	Model	Frame Group Page	Drive Group Page	Cylinder Page	Arm Page	Mounting Group Page	Solenoid Adaption Page	180° Rotator Stop Group Page
674622	55D	2	4	9/10	11/12	13	15/16	18
674623	55D	2	4	9/10	11/12	13	15/16	18
674624	55D	2	4	9/10	11/12	13	15/16	18
674625	55D	2	4	9/10	11/12	13	15/16	18
675626	55D	2	4	9/10	11/12	13	15/16	18
675627	55D	2	4	9/10	11/12	13	15/16	18
674628	55D	2	4	9/10	11/12	13	15/16	18
674629	55D	2	4	9/10	11/12	13	15/16	18
674630	55D	2	4	9/10	11/12	13	15/16	18
674631	55D	2	4	9/10	11/12	13	15/16	18
674632	55D	2	4	9/10	11/12	13	15/16	18
674633	55D	2	4	9/10	11/12	13	15/16	18
674634	55D	2	4	9/10	11/12	14	15/16	18
674635	55D	2	4	9/10	11/12	14	15/16	18
674636	55D	2	4	9/10	11/12	14	15/16	18
674637	55D	2	4	9/10	11/12	14	15/16	18
674638	55D	2	4	9/10	11/12	14	15/16	18
674639	55D	2	4	9/10	11/12	14	15/16	18
674640	55D	2	4	9/10	11/12	14	15/16	18
674641	55D	2	4	9/10	11/12	14	15/16	18
675525	55D	1	3	9/10	11/12	13	15/16	18
675526	55D	1	3	9/10	11/12	13	15/16	18
675527	55D	1	3	9/10	11/12	13	15/16	18
675528	55D	1	3	9/10	11/12	13	15/16	18
675529	55D	1	3	9/10	11/12	13	15/16	18
675530	55D	1	3	9/10	11/12	13	15/16	18
675531	55D	1	3	9/10	11/12	13	15/16	18
675532	55D	1	3	9/10	11/12	13	15/16	18
675533	55D	1	3	9/10	11/12	13	15/16	18
675534	55D	1	3	9/10	11/12	13	15/16	18
675535	55D	1	3	9/10	11/12	13	15/16	18
675536	55D	1	3	9/10	11/12	13	15/16	18
675637	55D	1	3	9/10	11/12	14	15/16	18
675538	55D	1	3	9/10	11/12	14	15/16	18
675539	55D	1	3	9/10	11/12	14	15/16	18
675540	55D	1	3	9/10	11/12	14	15/16	18
675541	55D	1	3	9/10	11/12	14	15/16	18
675542	55D	1	3	9/10	11/12	14	15/16	18
675543	55D	1	3	9/10	11/12	14	15/16	18
675643	55D	1	3	9/10	11/12	14	15/16	18
675544	55D	1	3	9/10	11/12	14	15/16	18

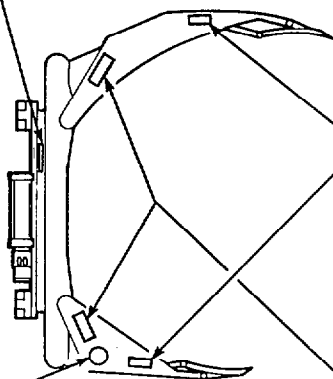
2272b

Safety Decals

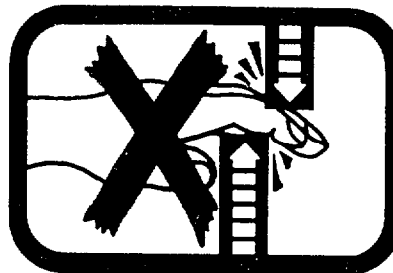


660269*
(Top & Bottom)
(2 Places)

Rotation Indicator
Tape 675353

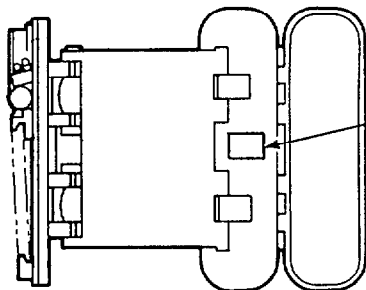


665595
(Top & Bottom)
(4 Places)

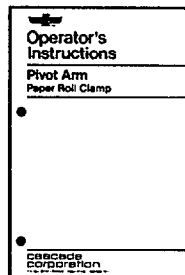
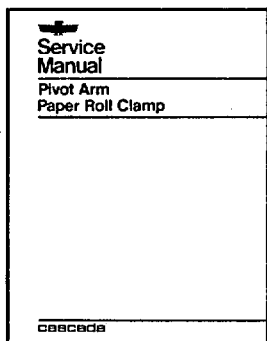


656038
(Arms top & bottom
Contact Pads both sides)
(6 Places)

* for clamps with moveable short arm.



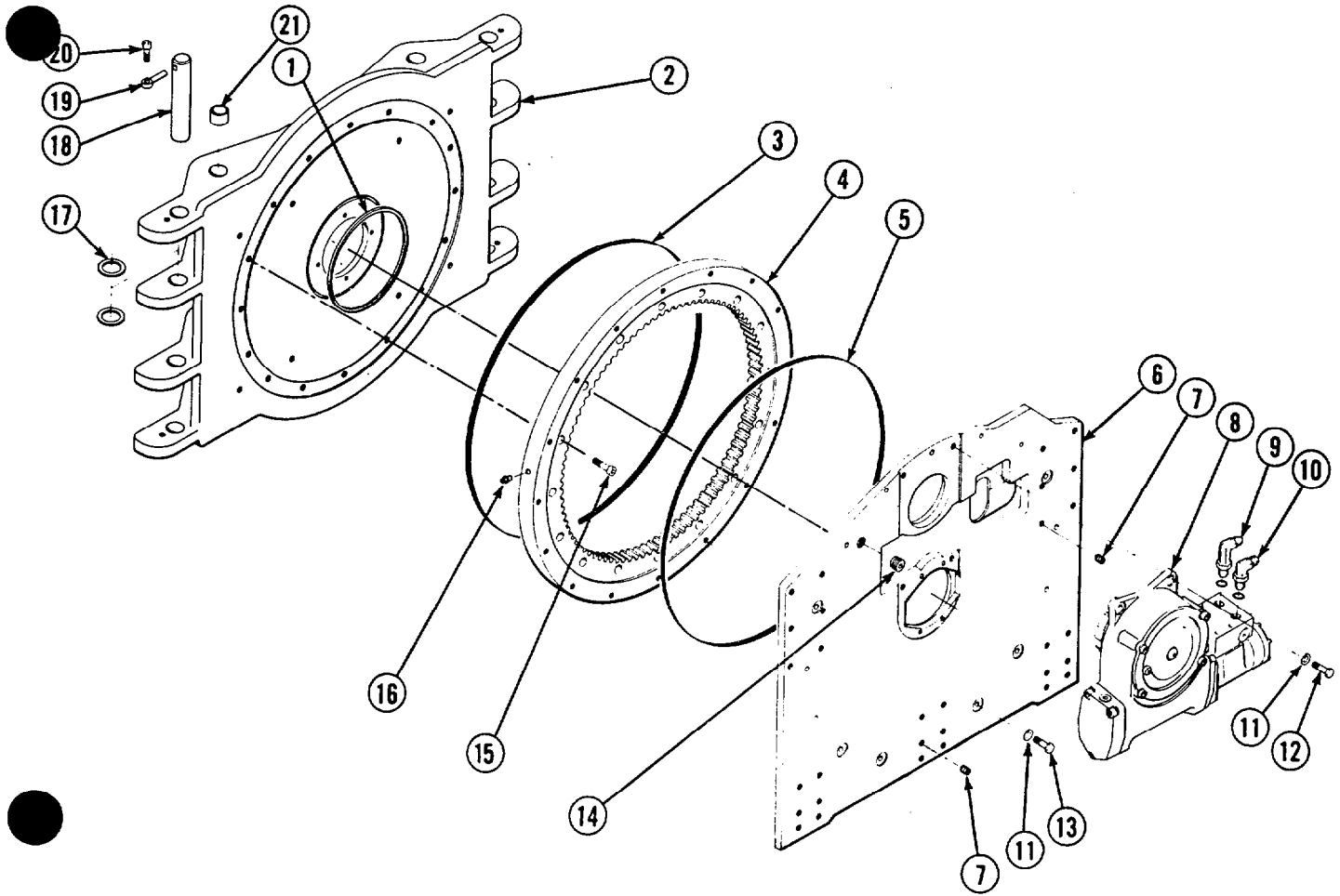
Publications



PART NO.	DESCRIPTION	SERIAL NO. RANGE
675561	Service Manual	674222-675544
660422	Operator's Guide	All

2272z

Rotator Frame

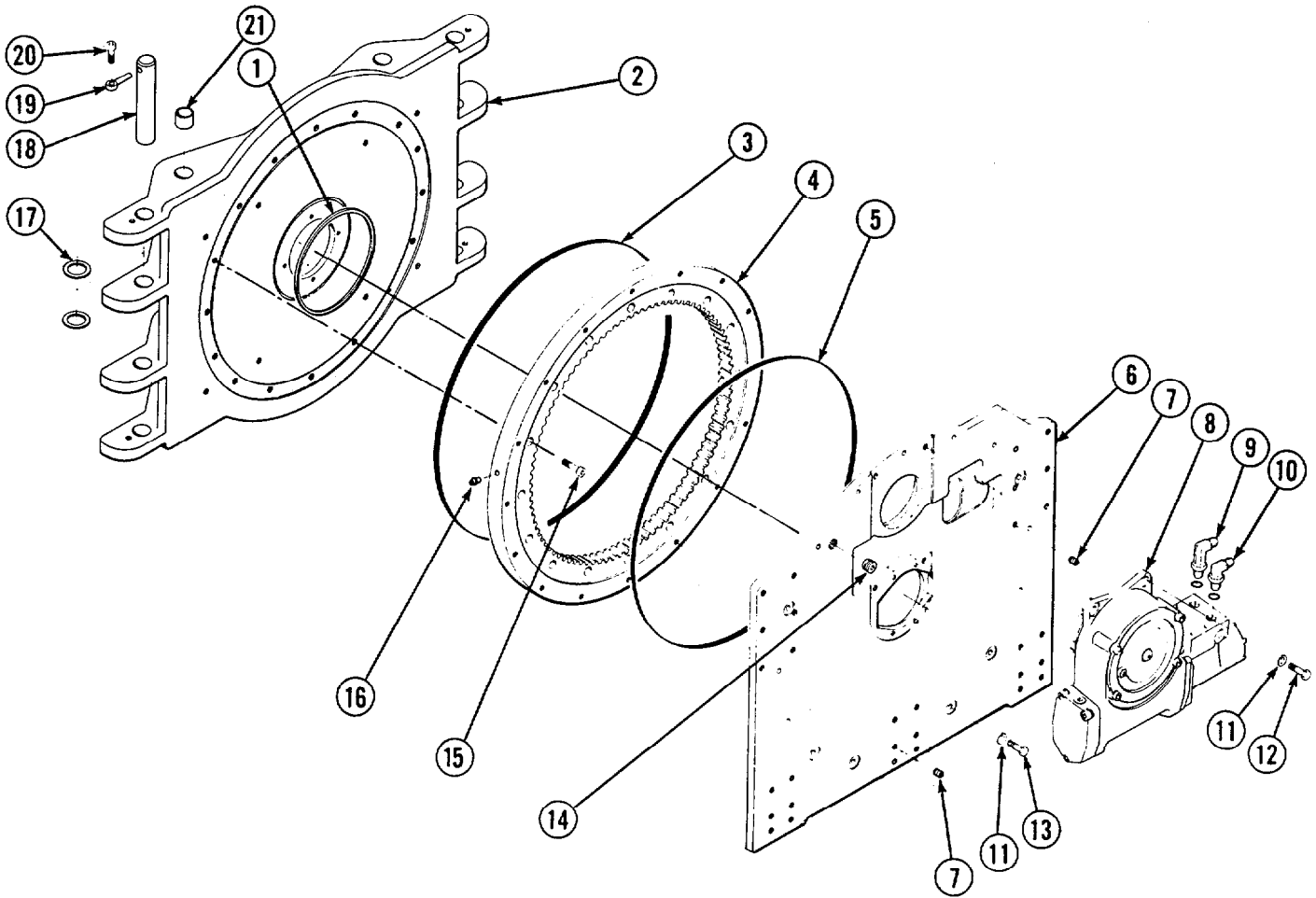


REF	QTY	PART NO.	DESCRIPTION
		675524	Base Unit Group
1	1	670931	Seal
2	1	673722	Revolving Frame
3	1	670513	Seal
★■4	1	672828	Bearing Assembly
5	1	570514	Seal
6	1	673723	Baseplate
7	8	631385	Plug
●8	1	675628	Drive Group
9	1	660385	Fitting
10	1	601250	Fitting
11	18	6290	Lockwasher
12	4	661742	Capscrew, 1/2 NC x 1.25 GR5
13	16	640013	Capscrew, 1/2 NC x 1.75 GR5
14	1	6605	Plug
☆15	16	669322	Capscrew
☆16	1	7401	Grease Fitting
17	16	660200	Shim
18	4	661174	Pin
19	4	651091	Eyebolt
20	4	651090	Shoulder Bolt
21	8	660199	Bushing
		672481	Bearing Service Kit

2272d

- Includes items 3, 5 and 15.
- See page 3 for replacement parts breakdown.
- ☆ Included in Bearing Service Kit 672481.

Rotator Frame



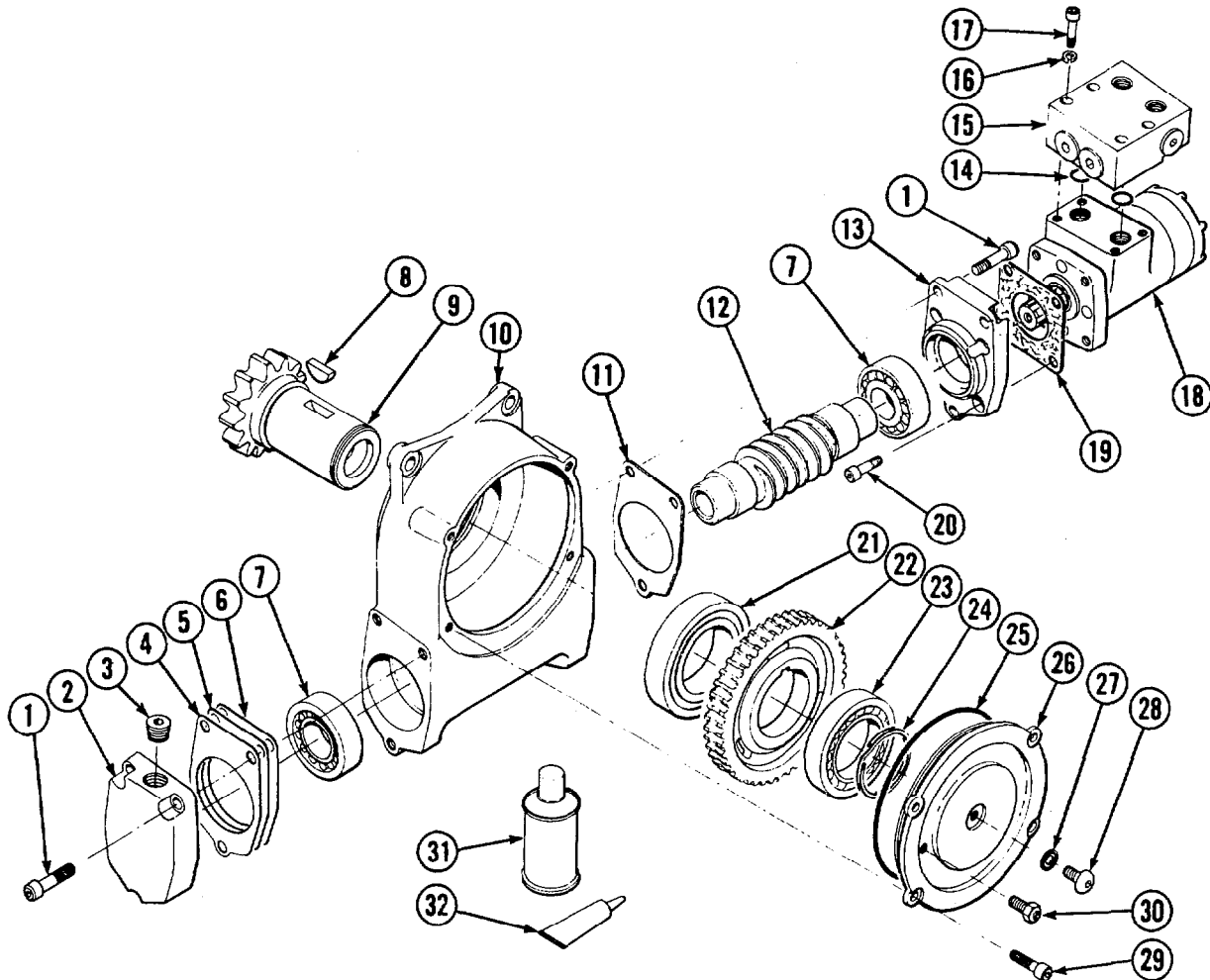
REF	QTY	PART NO.	DESCRIPTION
		673721	Base Unit Group
1	1	670931	Seal
2	1	673722	Revolving Frame
3	1	670513	Seal
■4	1	672828	Bearing Assembly
5	1	570514	Seal
6	1	673723	Baseplate
7	8	631385	Plug
●8	1	670505	Drive Group
9	1	660385	Fitting
10	1	601250	Fitting
11	18	6290	Lockwasher
12	4	661742	Capscrew, 1/2 NC x 1.25 GR5
13	16	640013	Capscrew, 1/2 NC x 1.75 GR5
14	1	6605	Plug
☆15	16	669322	Capscrew
☆16	1	7401	Grease Fitting
17	16	660200	Shim
18	4	661174	Pin
19	4	651091	Eyebolt
20	4	651090	Shoulder Bolt
21	8	660199	Bushing
		672481	Bearing Service Kit

2272e

- Includes items 3, 5 and 16.
- See page 4 for replacement parts breakdown.
- ☆ Included in Bearing Service Kit 672481.



Drive Group

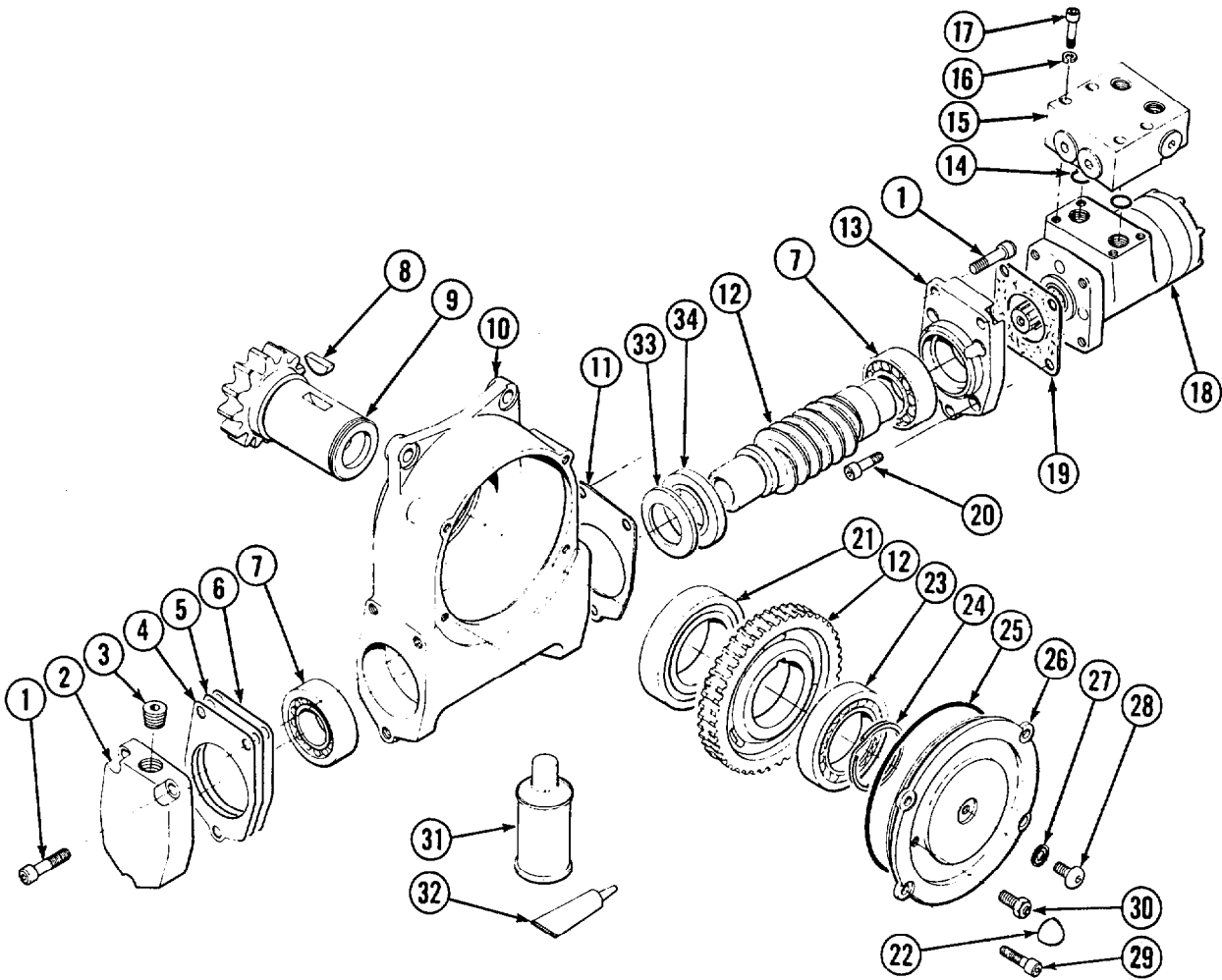


REF	QTY	PART NO.	DESCRIPTION	REF	QTY	PART NO.	DESCRIPTION
		675628	Drive Group with Motor	19	1	670575	Gasket
	†	675632	Drive Group without Motor	20	4	4468	Capscrew, 3/8 NC x .75 HS
1	6	607071	Capscrew, 7/16 NC x 1.0 HS	■21	1	670580	Bearing
2	1	670572	Cover	22	1	675609	Worm Gear
3	1	6609	Plug	23	1	670581	Bearing
★ 4	●	670574	Shim - .010" (Brown)	24	1	7214	Snap Ring
★ 5	●	671757	Shim - .015" (Pink)	25	1	643423	O-Ring
★ 6	●	671758	Shim - .020" (Yellow)	26	1	670567	Cover
‡ 7	2	670579	Bearing	27	1	603680	Seal
8	1	670582	Key	28	1	4874	Capscrew
9	1	670506	Pinlon	29	4	671535	Capscrew
10	1	670565	Housing	30	1	644010	Relief Fitting
11	●	670574	Shim - .010" (Brown)	31	1	656300	Gear Box Lube - 48 oz.
12	1	675608	Worm	★32	1	668184	Sealant
13	1	670570	Adapter	33	1	672350	Cap Seal
14	2	2705	Seal		‡	670578	Shim Service Kit
□15	1	670549	Valve Assembly			675637	Bearing Service Kit
16	4	6444	Lockwasher			675678	Bearing Service Kit
17	4	607059	Capscrew, 5/16 NC x 1.75 HS		§	675343	Drive Motor Service Kit
☆18	1	675329	Drive Motor				

22721

- Quantity as required.
- Included in Bearing Service Kit 675637.
- ‡ Included in Bearing Service Kit 675638.
- ★ Included in Shim Service Kit 670578.
- See page 5 for replacement parts breakdown.
- ☆ See page 5 for replacement parts breakdown.
- † Does not include items 15, 17 and 18.
- § Includes items 11, 14, 19, and 32.

Drive Group



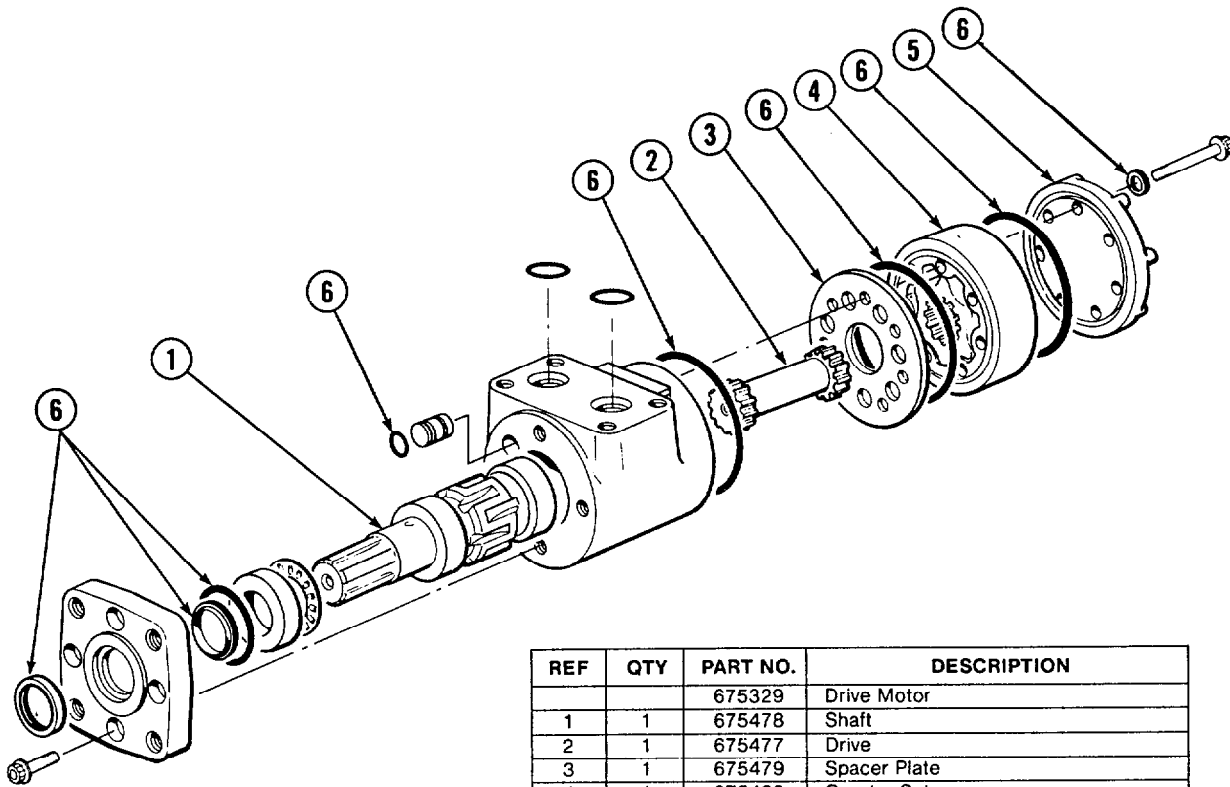
REF	QTY	PART NO.	DESCRIPTION	REF	QTY	PART NO.	DESCRIPTION
		670505	Drive Group with Motor	19	1	670575	Gasket
	†	673894	Drive Group without Motor	20	4	4468	Capscrew, 3/8 NC x .75 HS
1	6	607071	Capscrew, 7/16 NC x 1.0 HS	■21	1	670580	Bearing
2	1	670572	Cover	22	1	672350	Cap Seal
3	1	6609	Plug	23	1	670581	Bearing
★ 4	●	670574	Shim - .010" (Brown)	24	1	7214	Snap Ring
★ 5	●	671757	Shim - .015" (Pink)	25	1	643423	O-Ring
★ 6	●	671758	Shim - .020" (Yellow)	26	1	670567	Cover
‡ 7	2	670579	Bearing	27	1	603680	Seal
8	1	670582	Key	28	1	4874	Capscrew
9	1	670506	Pinion	29	4	671535	Capscrew
10	1	670565	Housing	30	1	644010	Relief Fitting
11	1	670574	Shim - .010" (Brown)	31	1	656300	Gear Box Lube - 48 oz.
12	1	676454	Worm and Worm Gear Service Kit	★■32	1	668184	Sealant
13	1	670570	Adapter	33	1	672449	Washer Spring
14	2	2705	Seal	34	1	672448	Washer
□15	1	670549	Valve Assembly		‡	670578	Shim Service Kit
16	4	6444	Lockwasher			671583	Bearing Service Kit
17	4	607059	Capscrew, 5/16 NC x 1.75 HS			671584	Bearing Service Kit
☆18	1	675329	Drive Motor		§	675343	Drive Motor Service Kit

2272a

- Quantity as required.
- Included in Bearing Service Kit 671583.
- ‡ Included in Bearing Service Kit 671584.
- ★ Included in Shim Service Kit 670578.
- See page 5 for replacement parts breakdown.
- ☆ See page 5 for replacement parts breakdown.
- † Does not include items 15, 17 and 18.
- § Includes items 11, 14, 19, and 32.



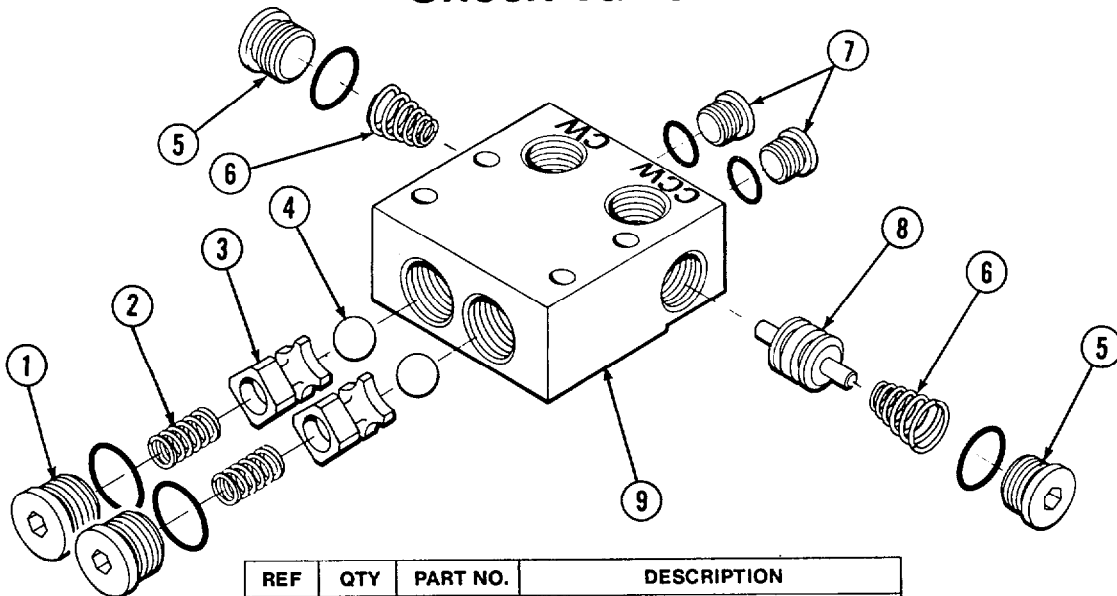
Drive Motor



REF	QTY	PART NO.	DESCRIPTION
		675329	Drive Motor
1	1	675478	Shaft
2	1	675477	Drive
3	1	675479	Spacer Plate
4	1	675480	Geroter Set
5	1	675482	End Cap
6	1	675394	Service Kit

2272h

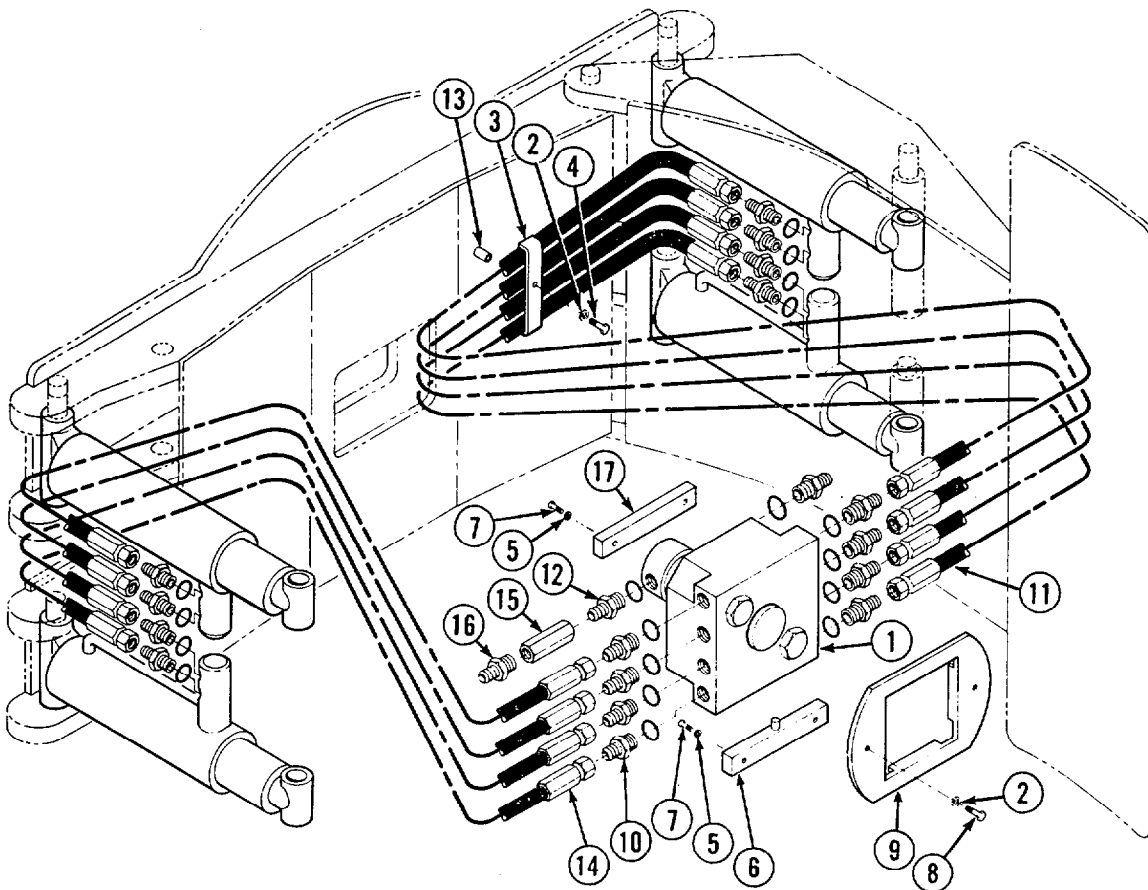
Check Valve



REF	QTY	PART NO.	DESCRIPTION
		670549	Check Valve Assembly
1	2	609453	Plug
2	2	670552	Spring
3	2	670551	Guide
4	2	7020	Ball
5	2	602580	Plug
6	2	673989	Spring
7	2	604510	Plug
8	1	670553	Spool
9	1	670550	Body

2272h

Check Valve Group



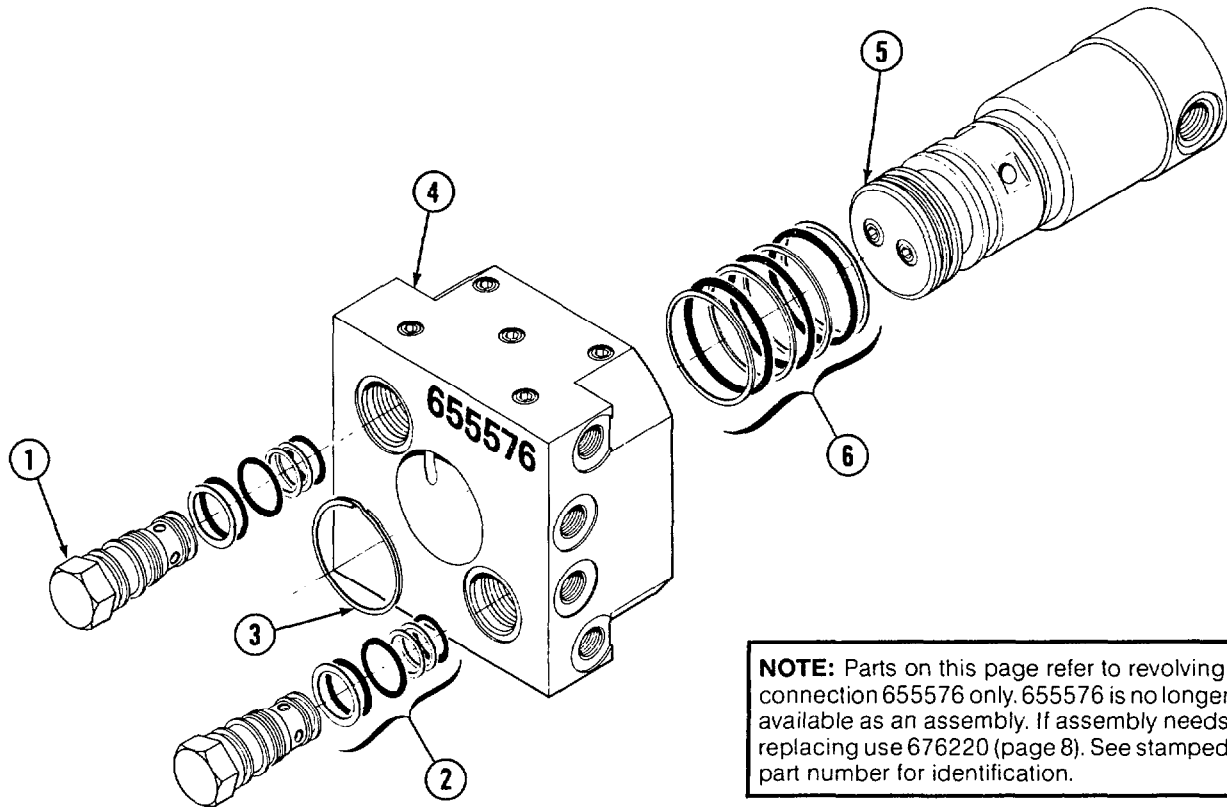
REF	QTY	Powered Short Arm	Fixed Short Arm	DESCRIPTION
		PART NO.	PART NO.	
		673719	673720	Check Valve Group
1	1	676220	676220	Revolving Connection
2	3	—	6288	Lockwasher
	4	6288	—	Lockwasher
3	1	—	645597	Clamp
	2	645597	—	Clamp
4	1	—	3605	Capscrew, 3/8 NC x 1.50
	2	3605	—	Capscrew, 3/8 NC x 1.50
5	4	6287	6287	Lockwasher
6	1	673718	673718	Bar Keeper
7	4	3579	3579	Capscrew, 5/16 NC x 1.5
8	2	3601	3601	Capscrew, 3/8 NC x .75
9	1	645599	645599	Retainer
10	8	—	604511	Fitting, 6-6
	16	604511	—	Fitting, 6-6
11	4	660203	660203	Hose, Long Arm
12	2	601377	601377	Fitting, 8-8
13	1	—	645598	Spacer
	2	645598	—	Spacer
14	4	603722	—	Hose, Short Arm
	4	—	•604510	Plug
15	2	2618	2618	Fitting, 8-8
16	2	2671	2671	Fitting, 6-8
17	1	673717	673717	Bar

22721

• Not shown. Used in place of items 10 and 14 on fixed short arm side of clamps.



Revolving Connection



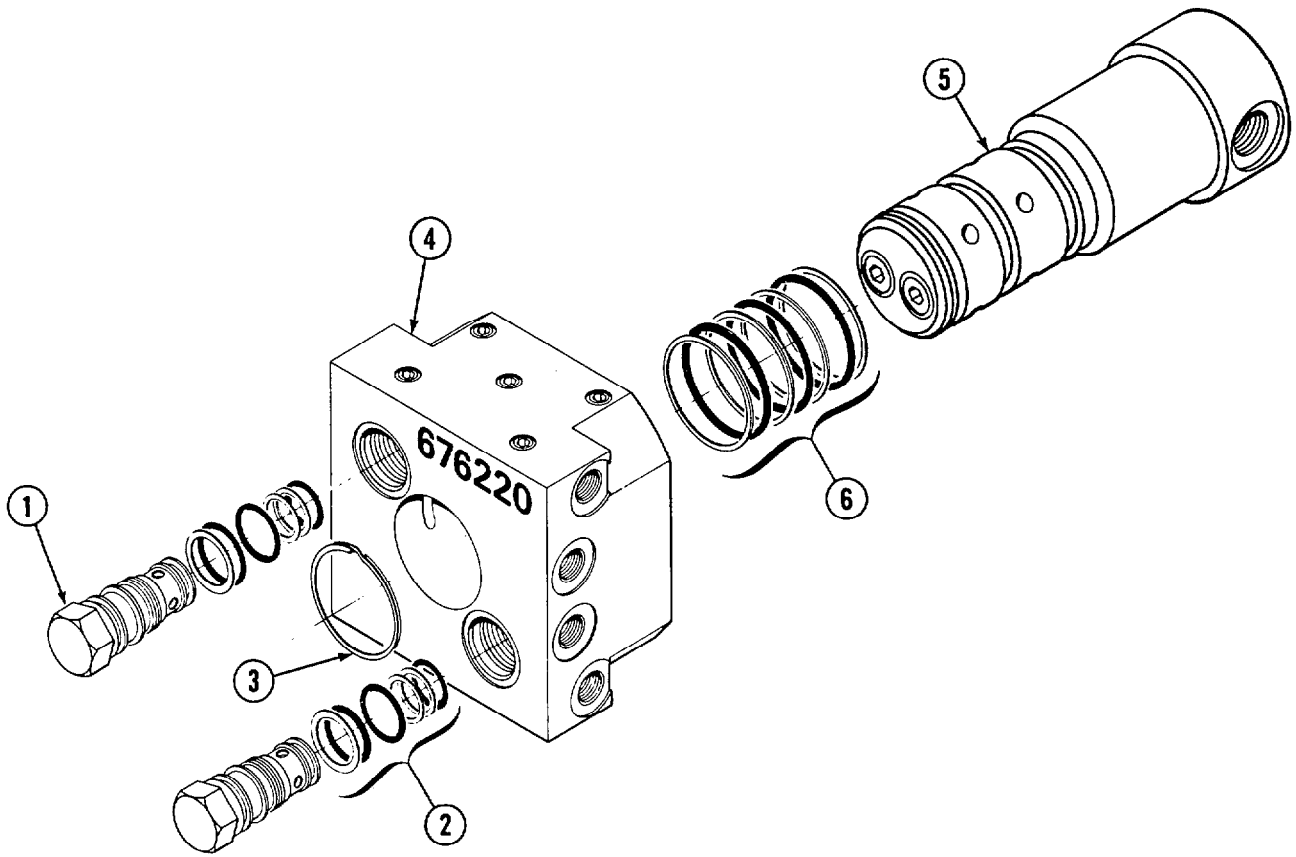
NOTE: Parts on this page refer to revolving connection 655576 only. 655576 is no longer available as an assembly. If assembly needs replacing use 676220 (page 8). See stamped part number for identification.

REF	QTY	PART NO.	DESCRIPTION
		—	Revolving Connection
● 1	2	661816	Valve Cartridge
2	2	656223	Service Kit, Cartridge Seals
3	1	7205	Snap Ring
4	1	659162	Body
5	1	662024	Shaft
6	1	651876	Service Kit, Shaft Seals

22721

● Includes Cartridge Seal Service Kit 656223.

Revolving Connection

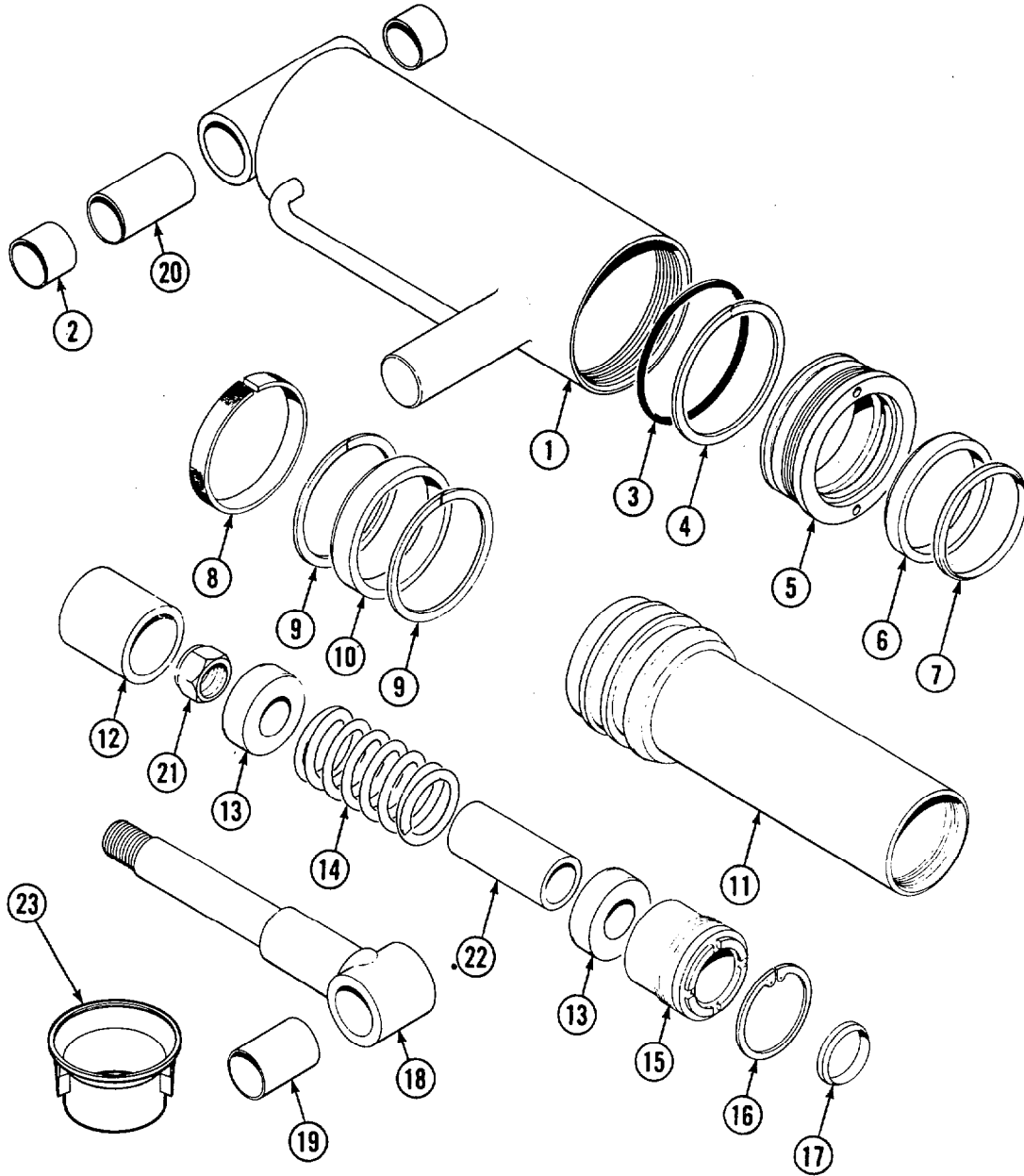


REF	QTY	PART NO.	DESCRIPTION
		676220	Revolving Connection
• 1	2	661816	Valve Cartridge
2	2	656223	Service Kit, Cartridge Seals
3	1	7205	Snap Ring
4	1	676221	Body
5	1	662024	Shaft
6	1	651876	Service Kit, Shaft Seals

2272

• Includes Cartridge Seal Service Kit 656223.

Cylinder Assembly Long Arm

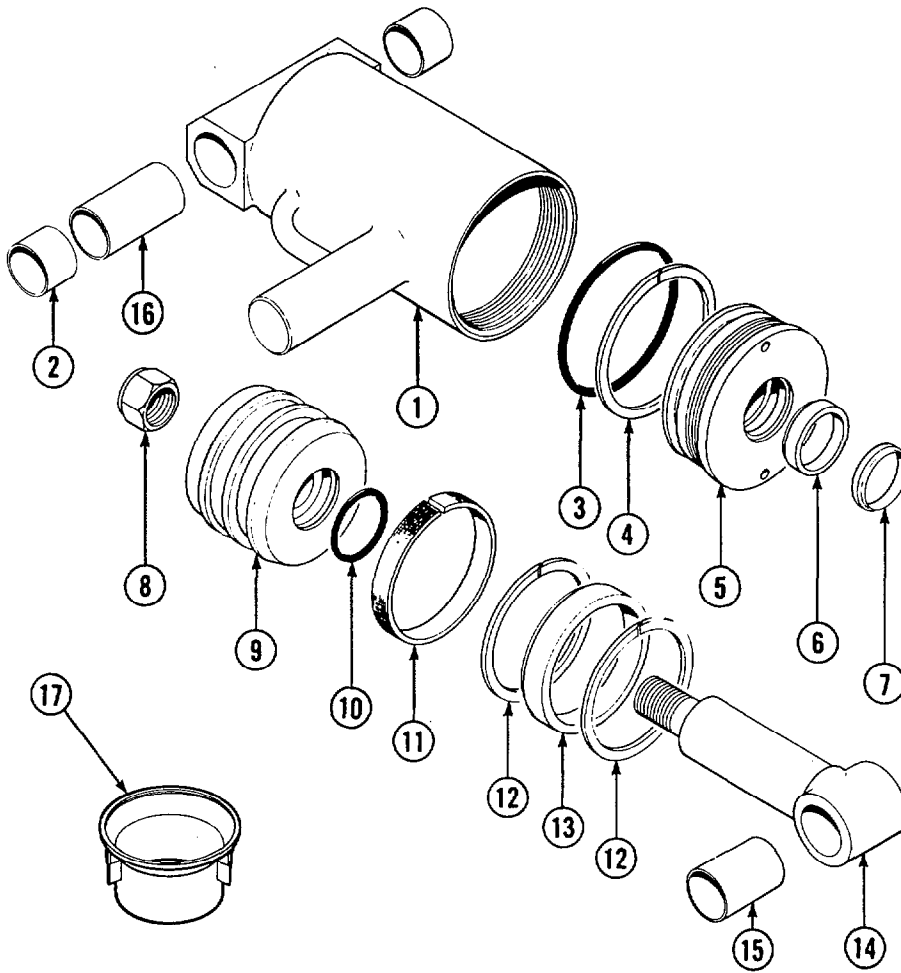


REF	QTY	PART NO.	DESCRIPTION	REF	QTY	PART NO.	DESCRIPTION
	1	660140	Cylinder Assembly	12	1	660145	Spacer
1	1	660141	Shell	13	2	659933	Piston Half
2	2	629315	Bushing	14	1	651480	Spring
• 3	1	2801	O-Ring	15	1	659935	Retainer
• 4	1	615144	Back-up Ring	16	1	659936	Snap Ring
5	1	659937	Retainer	• 17	1	636854	Wiper Ring
• 6	1	553523	Seal	18	1	659934	Rod
• 7	1	636859	Wiper Ring	19	1	629313	Bushing
• 8	1	660769	Bearing	20	1	651382	Sleeve
• 9	2	660952	Ring, Nylon	21	1	5883	Nut
• 10	1	555727	Seal	22	1	659902	Spacer
11	1	660143	Plunger Shell	• 23	1	669243	Seal Loader
						660955	Kit, Cylinder Service

• Included in Cylinder Service Kit, 660955.

2272k

Cylinder Assembly Short Arm

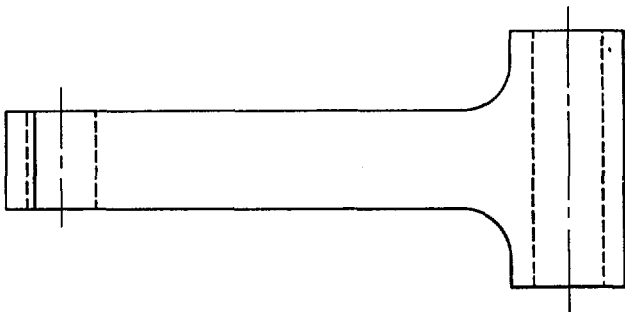


REF	QTY	PART NO.	DESCRIPTION	REF	QTY	PART NO.	DESCRIPTION
	1	660148	Cylinder Assembly	9	1	659956	Piston
1	1	660149	Shell	• 10	1	2784	O-Ring
2	2	629315	Bushing	• 11	1	660767	Bearing
• 3	1	2797	O-Ring	• 12	2	660951	Nylon Ring
• 4	1	615140	Back-up Ring	• 13	1	555726	Seal
5	1	659957	Retainer	14	1	660151	Rod
• 6	1	556128	Seal	15	1	629313	Bushing
• 7	1	636854	Wiper Ring	16	1	651382	Sleeve
8	1	5883	Nut	• 17	1	669235	Seal Loader
					1	660954	Kit, Cylinder Service

22721

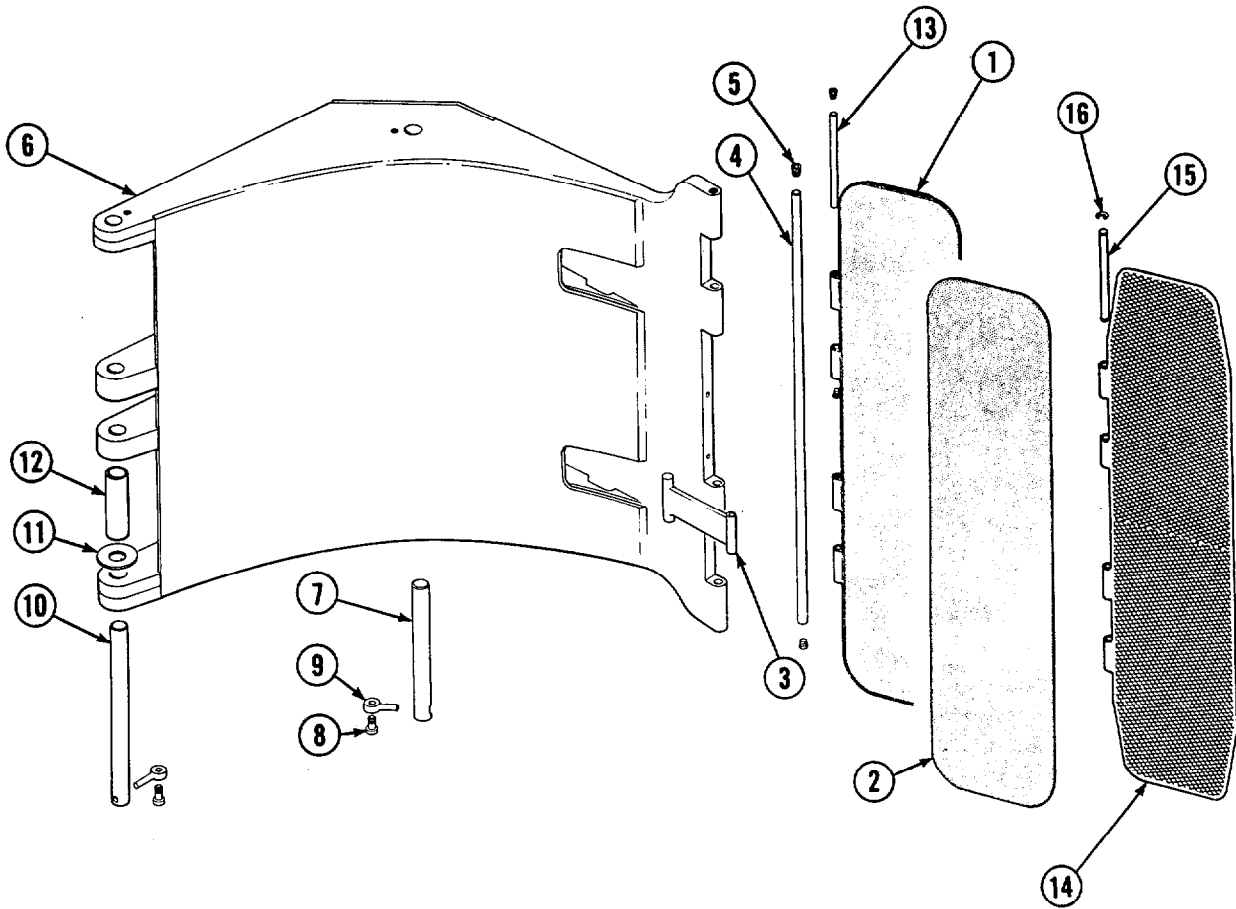
• Included in Cylinder Service Kit, 660954.

Rod Assembly Fixed Short Arm



REF.	PART NO.	DESCRIPTION
-	660206	Rod

Long Arm

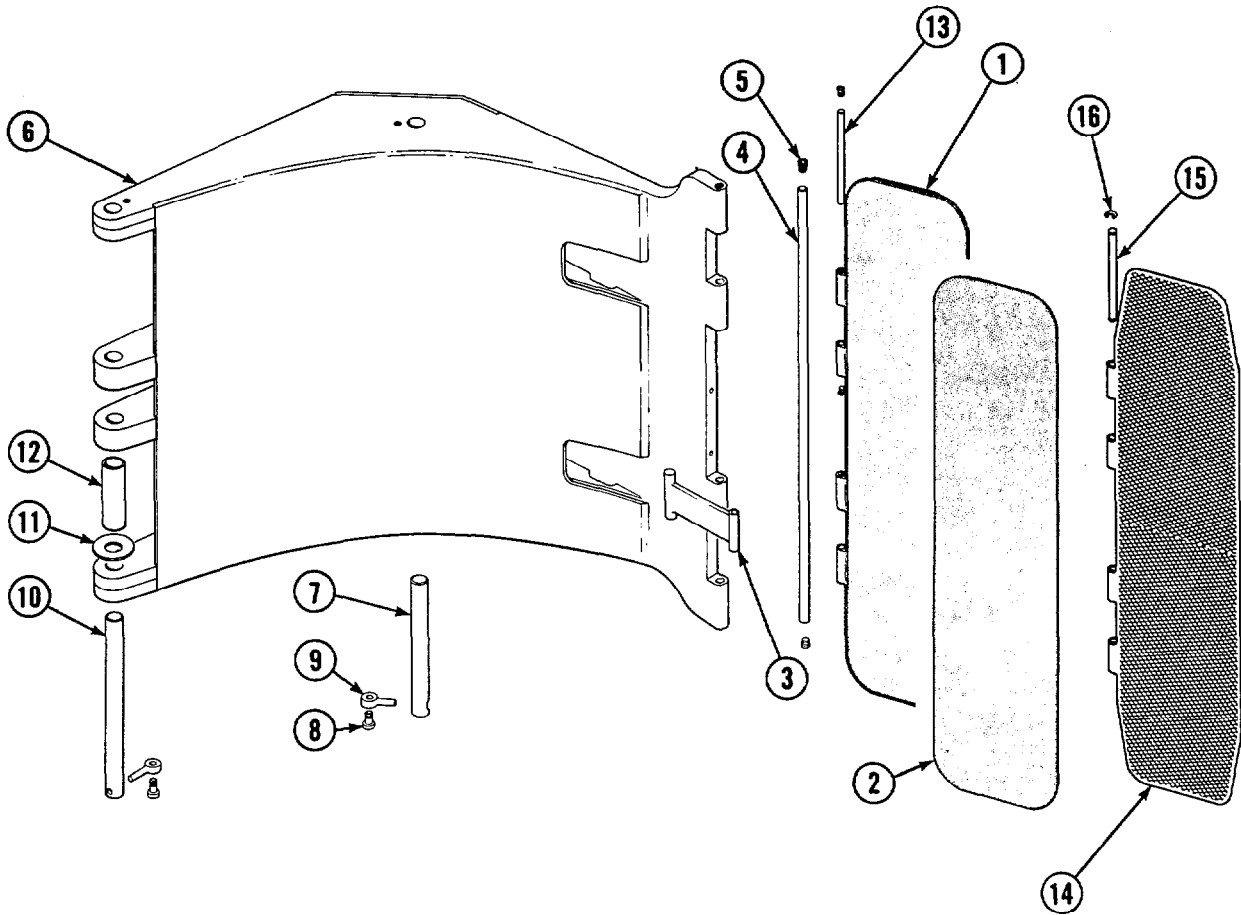


REF	QTY	50" Max Roll Dia.	60" Max Roll Dia.	DESCRIPTION
		PART NO.	PART NO.	
		659642	660208	Arm Assembly
1	1	660169	660169	Contact Plate - Algrip
2	1	660171	660171	Replacement Algrip Surface
3	2	659644	660209	Link
4	1	660176	660176	Pin
5	6	651113	651113	Plug
6	1	659646	660211	Arm
7	2	661174	661174	Pin
8	4	651090	651090	Shoulder Bolt
9	4	651091	651091	Eye Bolt
10	2	651374	651374	Pin
11	2	660189	660189	Shim
12	2	661175	661175	Tube - Spacer
13	2	650846	650846	Pin
14	1	673887	673887	Contact Plate-Cast Iron
15	2	779840	779840	Pin
16	4	780062	780062	Retainer
	•	779238	779238	Contact Plate Kit - Cast Iron

22720

• Includes items 14, 15, and 16.

Short Arm



REF	QTY	50" Max. Roll Dia.	60" Max. Roll Dia.	DESCRIPTION
		PART NO.	PART NO.	
		660285	660167	Arm Assembly
1	1	660169	660169	Contact Plate - Algrip
2	1	660171	660171	Replacement Algrip Surface
3	2	660287	660172	Link
4	1	660176	660176	Pin
5	6	651113	651113	Plug
6	1	660290	660177	Arm
7	2	661174	661174	Pin
8	4	651090	651090	Shoulder Bolt
9	4	651091	651091	Eye Bolt
10	2	651374	651374	Pin
11	2	660189	660189	Shim
12	2	661175	661175	Tube - Spacer
13	2	650846	650846	Pin
14	1	673887	673887	Contact Plate-Cast Iron
15	2	779840	779840	Pin
16	4	780062	780062	Retainer
	•	779238	779238	Contact Plate Kit - Cast Iron

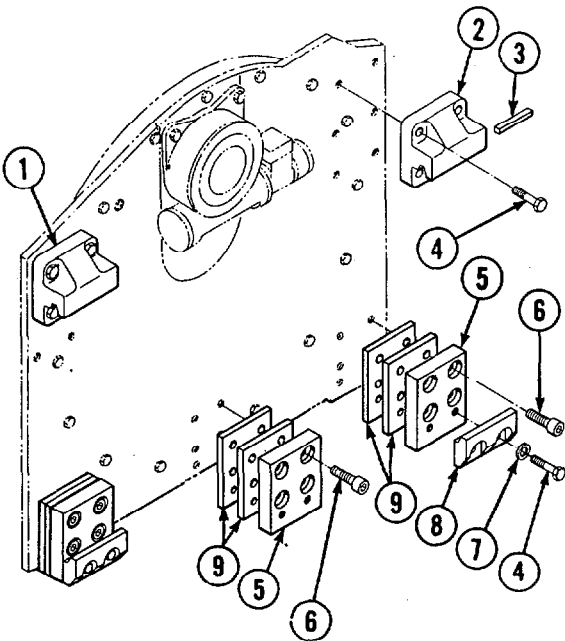
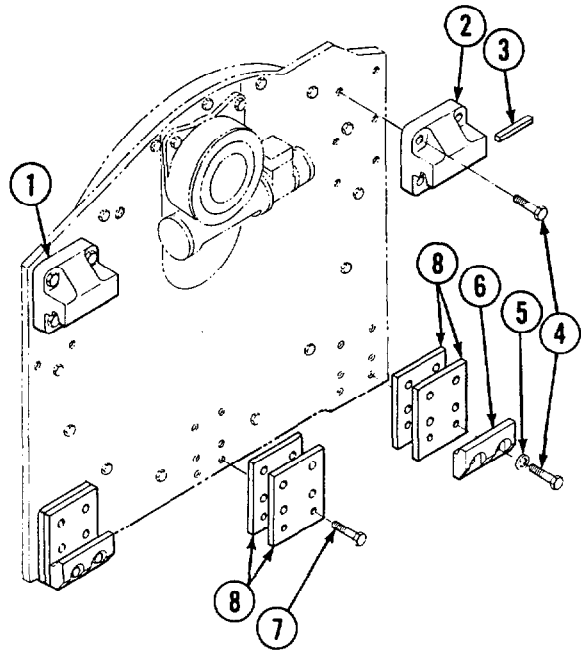
2272p

• Includes items 14, 15, and 16.

Mounting Groups

Class II, 4°			
REF	QTY	PART NO.	DESCRIPTION
		673727	Mounting Group
1	1	670523	Upper Hook - L.H.
2	1	670524	Upper Hook - R.H.
3	1	669344	Stop Kit
4	12	667765	Capscrew
5	4	667225	Washer
6	2	667370	Lower Hook
7	2	667369	Capscrew
8	6	673725	Adapter Plate

2272q



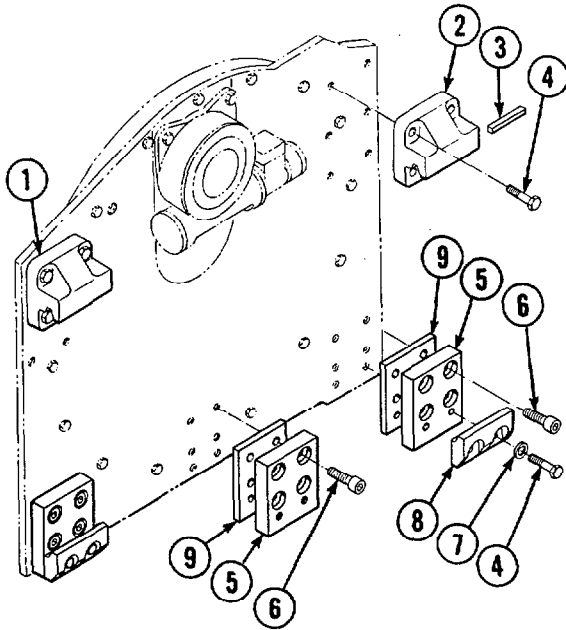
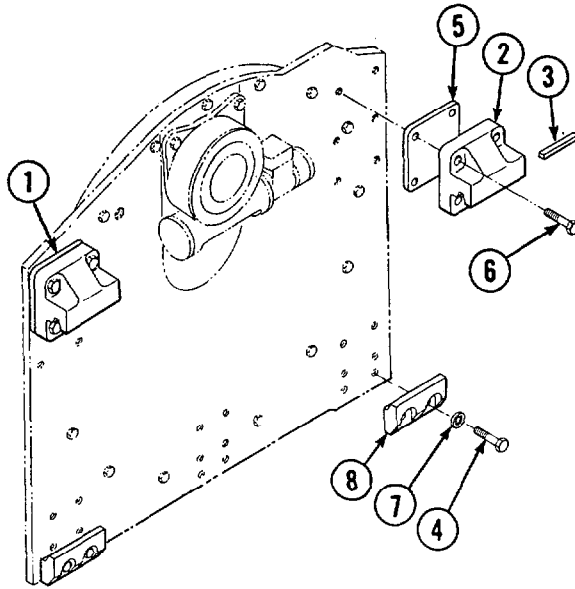
Class II, 0°			
REF	QTY	PART NO.	DESCRIPTION
		673728	Mounting Group
1	1	670523	Upper Hook - L.H.
2	1	670524	Upper Hook - R.H.
3	1	669344	Stop Kit
4	12	667765	Capscrew
5	3	670530	Adapter Plate
6	12	673803	Capscrew
7	4	667225	Washer
8	2	667370	Lower Hook
9	6	673725	Adapter Plate

2272q

Mounting Groups

Class III, 4°			
REF	QTY	PART NO.	DESCRIPTION
		673729	Mounting Group
1	1	674024	Upper Hook - L.H.
2	1	674025	Upper Hook - R.H.
3	1	669344	Stop Kit
4	4	667369	Capscrew
5	2	673726	Adapter Plate
6	8	667765	Capscrew
7	4	667225	Washer
8	2	667371	Lower Hook

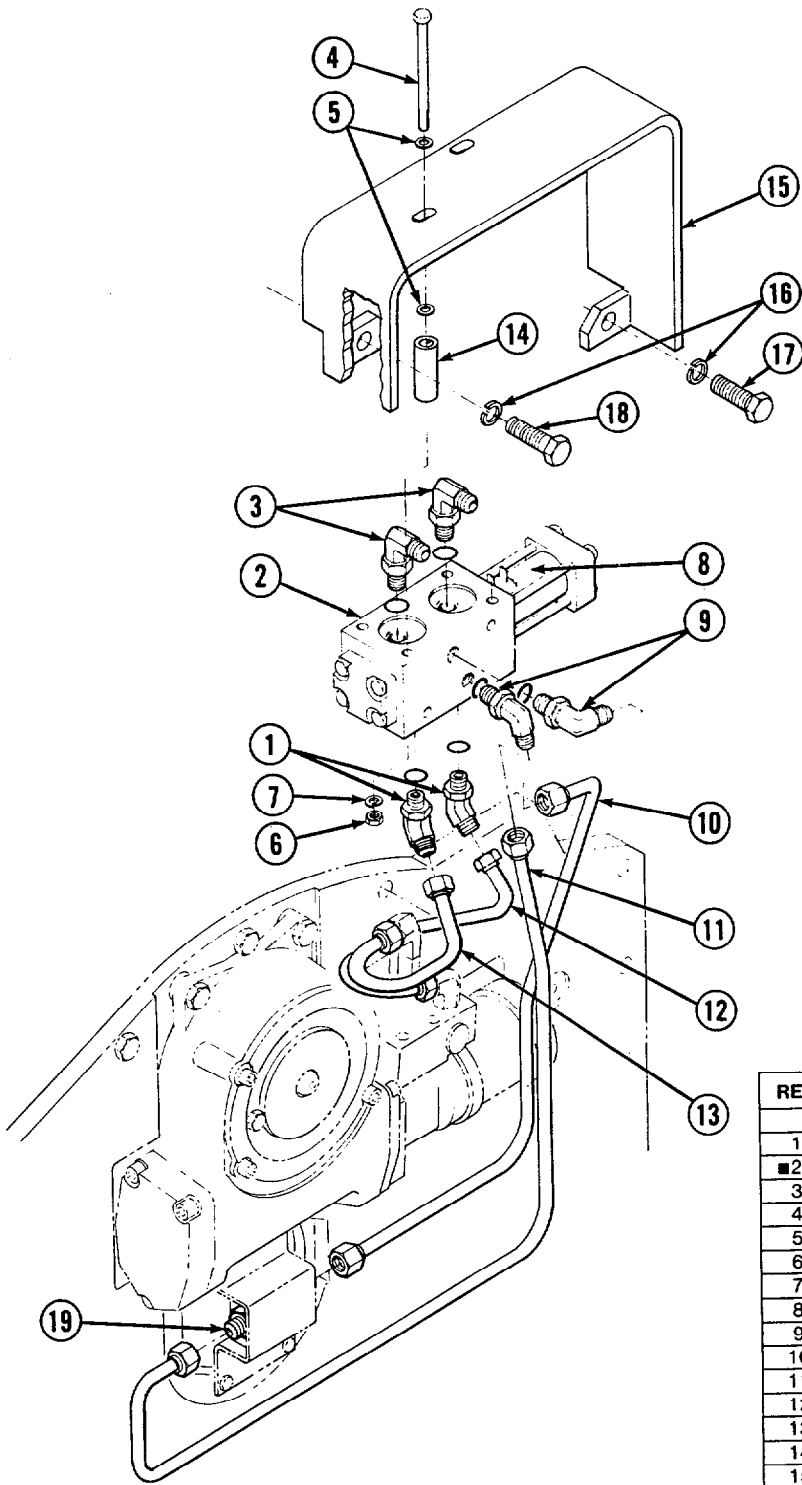
2272m



Class III, 0°			
REF	QTY	PART NO.	DESCRIPTION
		673730	Mounting Group
1	1	674024	Upper Hook - L.H.
2	1	674025	Upper Hook - R.H.
3	1	669344	Stop Kit
4	12	667369	Capscrew
5	3	670530	Adapter Plate
6	12	622467	Capscrew
7	4	667225	Washer
8	2	667371	Lower Hook
9	3	673725	Adapter Plate

2272m

Solenoid Adaption

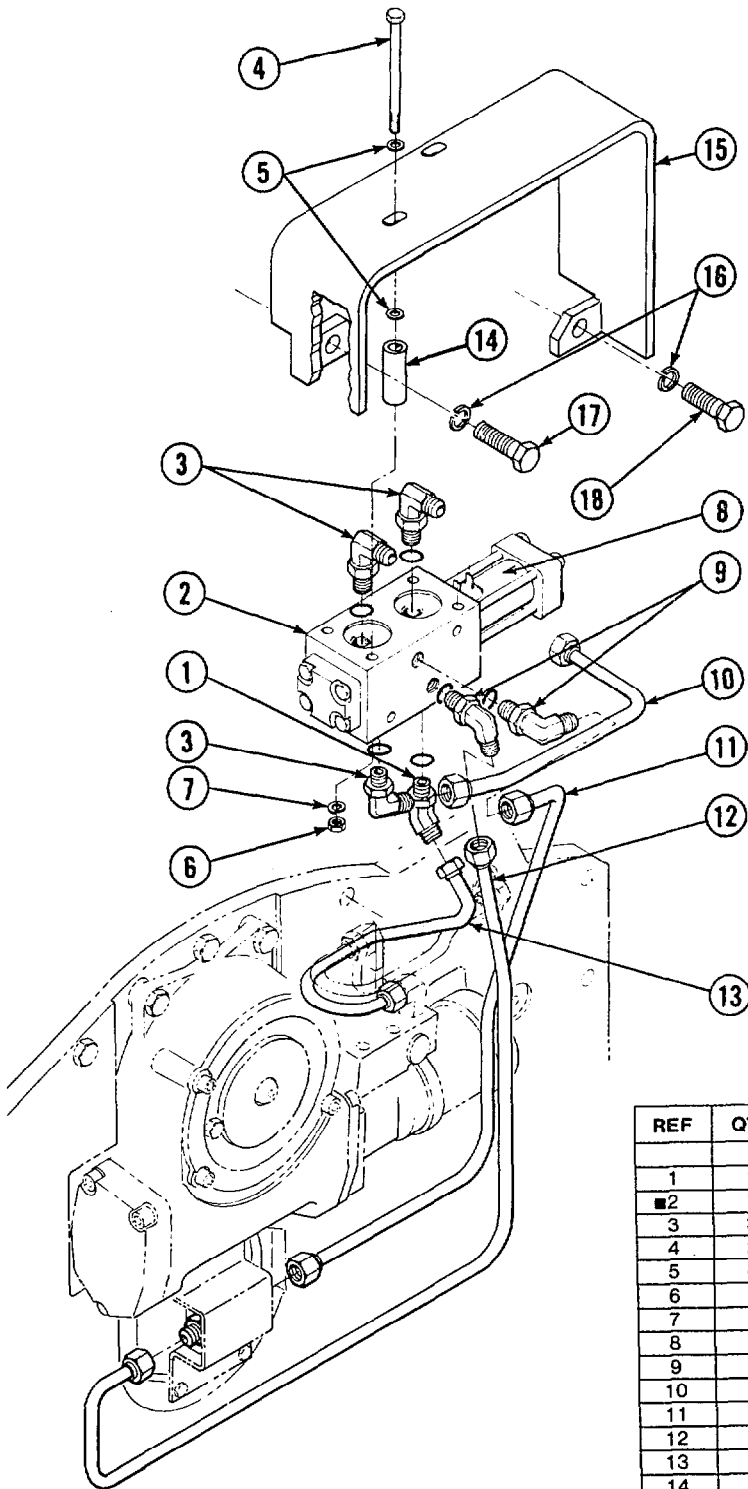


REF	QTY	PART NO.	DESCRIPTION
		671520	Solenoid Adaption Group
1	2	651302	Fitting
■2	1	●	Solenoid Valve
3	2	651303	Fitting
4	2	3592	Capscrew, 5/16 NC x 5.50
5	4	6229	Washer
6	2	15251	Nut
7	2	6287	Lockwasher
8	1	●	Coil
9	2	601676	Fitting
10	1	675472	Tube
11	1	675473	Tube
12	1	671516	Tube
13	1	671512	Tube
14	2	665115	Tube
15	1	675411	Guard
16	2	6290	Lockwasher
17	1	601854	Capscrew, 1/2 NC x 1.0
18	1	636408	Capscrew, 1/2 NC x 2.0
19	2	604511	Fitting

2272s

- See page 19.
- Includes item 8.

Solenoid Adaption for 180° Stop Group

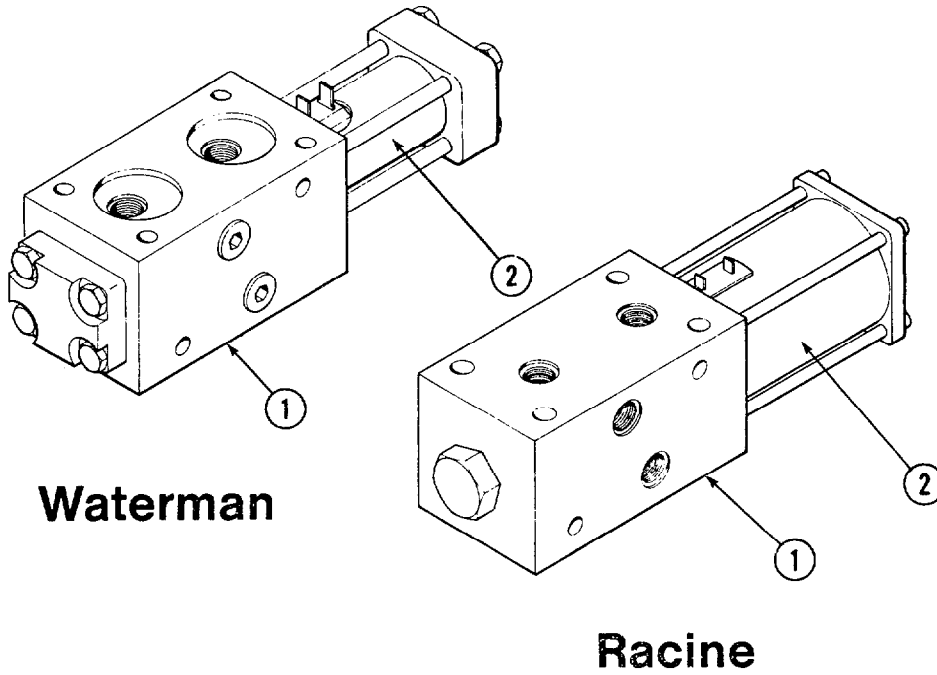


REF	QTY	PART NO.	DESCRIPTION
		671521	Solenoid Adaption Group
1	1	651302	Fitting
2	1	●	Solenoid Valve
3	3	651303	Fitting
4	2	3592	Capscrew, 5/16 NC x 5.50
5	4	6229	Washer
6	2	15251	Nut
7	2	6287	Lockwasher
8	1	●	Coil
9	2	601676	Fitting
10	1	671513	Tube
11	1	675472	Tube
12	1	675473	Tube
13	1	671516	Tube
14	2	665115	Tube
15	1	675411	Guard
16	2	6290	Lockwasher
17	1	601854	Capscrew, 1/2 NC x 1.0
18	1	636408	Capscrew, 1/2 NC x 2.0
19	2	604511	Fitting

2272t

- See page 19.
- Includes item 8.

Solenoid Valves

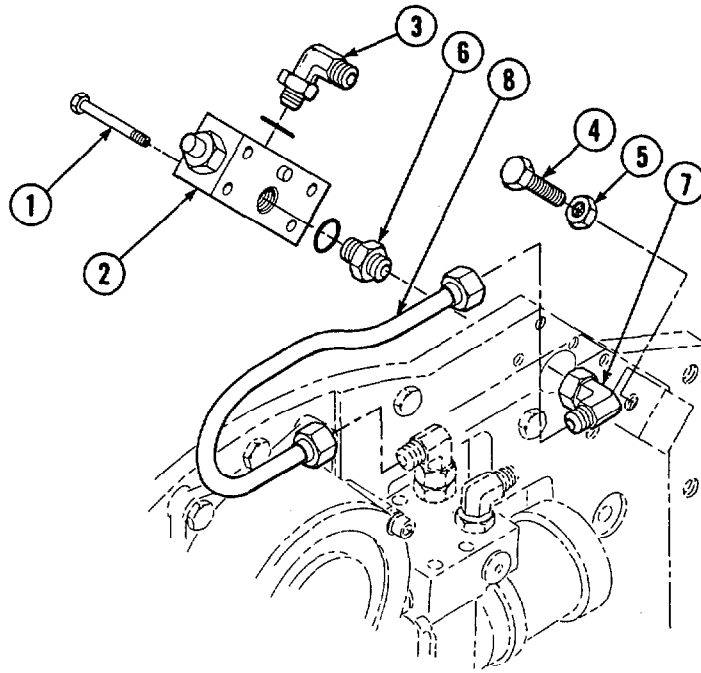


Note: Racine and Waterman Solenoid Valve assemblies are interchangeable as a unit. Coils must match valve.

REF	QTY	Waterman PART NO.	Racine PART NO.	DESCRIPTION
	1	614089	614089	Solenoid Valve - 12V
1	1	614091	614091	Solenoid Valve - 24V
1	1	614092	614092	Solenoid Valve - 36V
1	1	614093	614093	Solenoid Valve - 48V
1	1	614094	614094	Solenoid Valve - 72V
2	1	611458	665044	Coil - 12V
2	1	611460	665045	Coil - 24V
2	1	611461	665046	Coil - 36V
2	1	614097	665047	Coil - 48V
2	1	614098	—	Coil - 72V

2272x

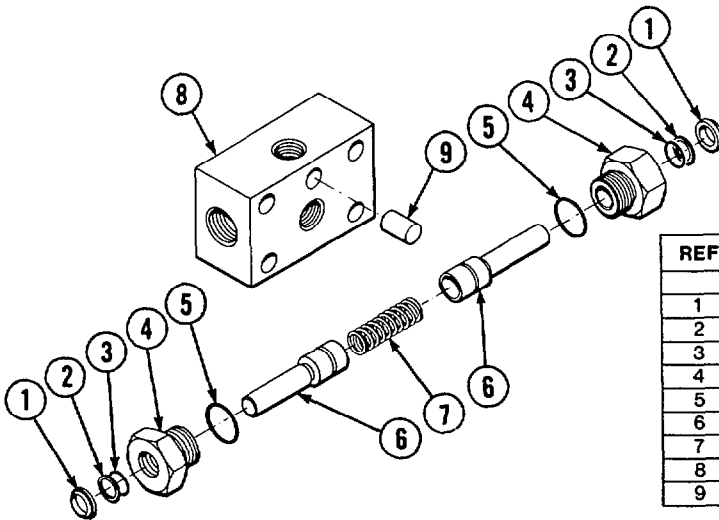
180° Stop Group



REF	QTY	PART NO.	DESCRIPTION
		670545	Stop Group
1	4	670544	Capscrew
2	1	670537	Stop Valve Assembly
3	1	651303	Fitting
4	2	3735	Capscrew, 3/4 NC x 1.75
5	2	5933	Nut, 3/4 NC
6	1	662187	Fitting
7	2	605761	Fitting
8	1	670543	Tube Assembly

2272r

Stop Valve



REF	QTY	PART NO.	DESCRIPTION
		670537	Stop Valve Assembly
1	2	670541	Wiper Ring
2	2	615006	Back-Up Ring
3	2	2702	O-Ring
4	2	670540	Gland
5	2	2841	O-Ring
6	2	670539	Plunger
7	1	670542	Spring
8	1	670538	Body
9	1	611210	Pin

2272r

Recommended Spare Parts List

55D				
PART NO.	DESCRIPTION	ATTACHMENTS SERVICED		
		1-5	6-15	16-25
FRAME GROUP				
661174	Pin	0	4	8
660199	Bushing	0	8	16
660200	Shim	4	14	22
DRIVE GROUP				
●	Worm	0	1	1
670506	Pinion	0	1	1
670581	Bearing	0	1	1
7214	Snap Ring	2	2	2
643423	O-Ring	1	2	3
675329	Drive Motor	0	1	2
675394	Drive Motor Seal Kit	1	1	2
668184	Sealant	1	2	3
●	Bearing Service Kit	1	1	2
●	Bearing Service Kit	1	1	2
656300	Gear Box Lube	1	2	3
670549	Check Valve Assembly			
CHECK VALVE GROUP				
665576	Revolving Connection	0	0	1
661816	Valve Cartridge	2	4	6
656223	Cartridge Service Kit	2	2	4
651876	Shaft Service Kit	1	2	2
CYLINDERS				
660955	Long Arm Service Kit	2	4	6
660954	Short Arm Service Kit	1	2	3
●	Long Arm Cylinders	0	1	2
●	Short Arm Cylinders	0	1	2
SHORT & LONG ARM GROUP				
671374	Pin	2	4	6
660169	Contact Pad	0	2	4
779236	Contact Pad Kit	0	2	4
STOP KIT				
669344	Stop Kit	1	2	3
PAINT CASCADE YELLOW				
668209	12 oz. Aerosol Can	1	1	1
PUBLICATIONS				
675561	Service Manual	1	1	1
660422	Operators Guide	1	1	1

2272c

● See specific parts page for number.

NOTES

Do you have questions you need answered right now? Call your nearest Cascade Parts Department.

Cascade Corporation
2501 Sheridan Avenue
P.O. Box 360
Springfield, Ohio 45505
Tel.: (513)322-1199
Telex: 205413

**Cascade Scandinavia
Hydraulik A.B.**
Musködetgatan 17-(E.8-9)
252 55 Helsingborg
Sweden
Tel.: 042-151135
Telex.: 72565 caschbg s

Cascade Hydraulics Ltd.
7615 Kimbel Street
Mississauga, Ontario
Canada L5S-1A8
Tel: 416/677-9695
Direct Parts Line:
416/677-9686
416/677-9684
Te/Ac: 06-968715

Cascade Japan Ltd.
4-1, 1-Chome,
Shin Senri Higashimachi
Toyonaka, Osaka 565
Japan
Tel.: 06-835-2900
Te/Ac: 781-5287115 Cascade J
Cable: Cascadectf, Osaka

**Cascade N.V.
European Headquarters**
P.O. Box 50086
1305 AB Almere-Haven
Achterwerf 240
1357 CB Almere-Haven
The Netherlands
Tel.: 03240-92911
Telex: 40838 case nl

Cascade France S.A.R.L.
11, rue Jean Charcot
Zone Industrielle Sud
B.P. 22
91421 Morangis Cedex
France
Tel.: 06-9091139
Telex: cascade 690016f

**Cascade Materials Handling
(Aust.) Pty. Ltd.
(Incorporated in N.S.W.)**
121 Long Street
Smithfield, N.S.W. 2164
Australia
Tel.: 02-604-6222
Te/Ac: (790)24302
Cable: Cascaus

**Cascade N.V.
Benelux Sales and Service**
P.O. Box 170
1110 AD Diemen
Weesperstraat 110
1112 AP Diemen
The Netherlands
Tel.: 020-906411
Telex: 14495 casc nl

Cascade (Iberia) S.A.
Nave Industrial
Calle Cromo 99/Nave G
Hospital de Llobregat
(Barcelona)
Spain
Tel.: 93-3350567
Telex: 54018 casc e

**Cascade Materials Handling
(Aust.) Pty. Ltd.**
44 E Winterton Road
Clayton, Victoria 3168
Australia
Tel.: 03-543-4344
Cable: Casmel

Cascade GmbH
Klosterhofweg 52
4050 Mönchengladbach 3
B.R. Deutschland
Tel.: 02166-602091
Telex: 852812 casc d

Cascade (UK) Ltd.
15, Orgreave Crescent
Dore House Industrial Estate
Handsworth
Sheffield S13 9NQ
England
Tel.: 0742-697524/5/6/7
Telex: 547254 cascsh g

Cascade (Africa) Pty. Ltd.
P.O. Box 625
15 Power Street
Isando 1600
South Africa
Tel.: 011-974-5611/2/3/4/5
Telex: 4-29718 S.A.

