



# Parts Manual

---

Model Single-Double Pallet Handler

Catalog Number 55F-FDS-122

---

**cascade**®  
**corporation**

**For Technical Assistance call:** 800-227-2233, Fax: 888-329-8207

**To Order Parts call:** 888-227-2233, Fax: 888-329-0234

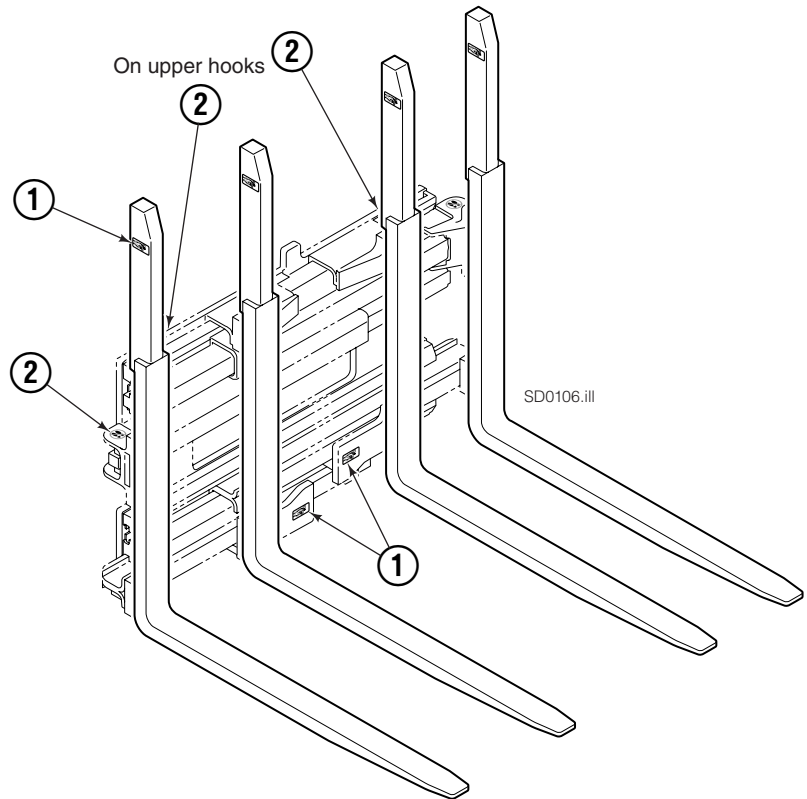
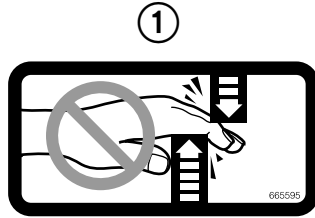
**OR**

**Write:** Cascade Corporation, P.O. Box 20187, Portland, OR 97220

**Internet:** [www.cascorp.com](http://www.cascorp.com)

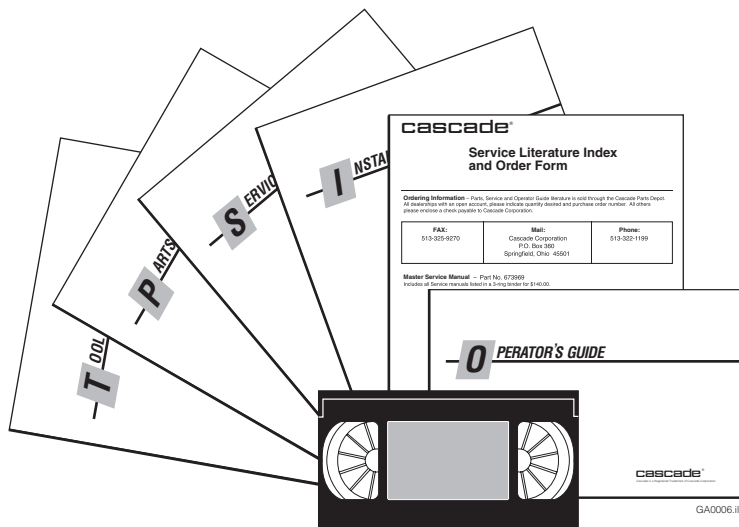


# Safety Decals



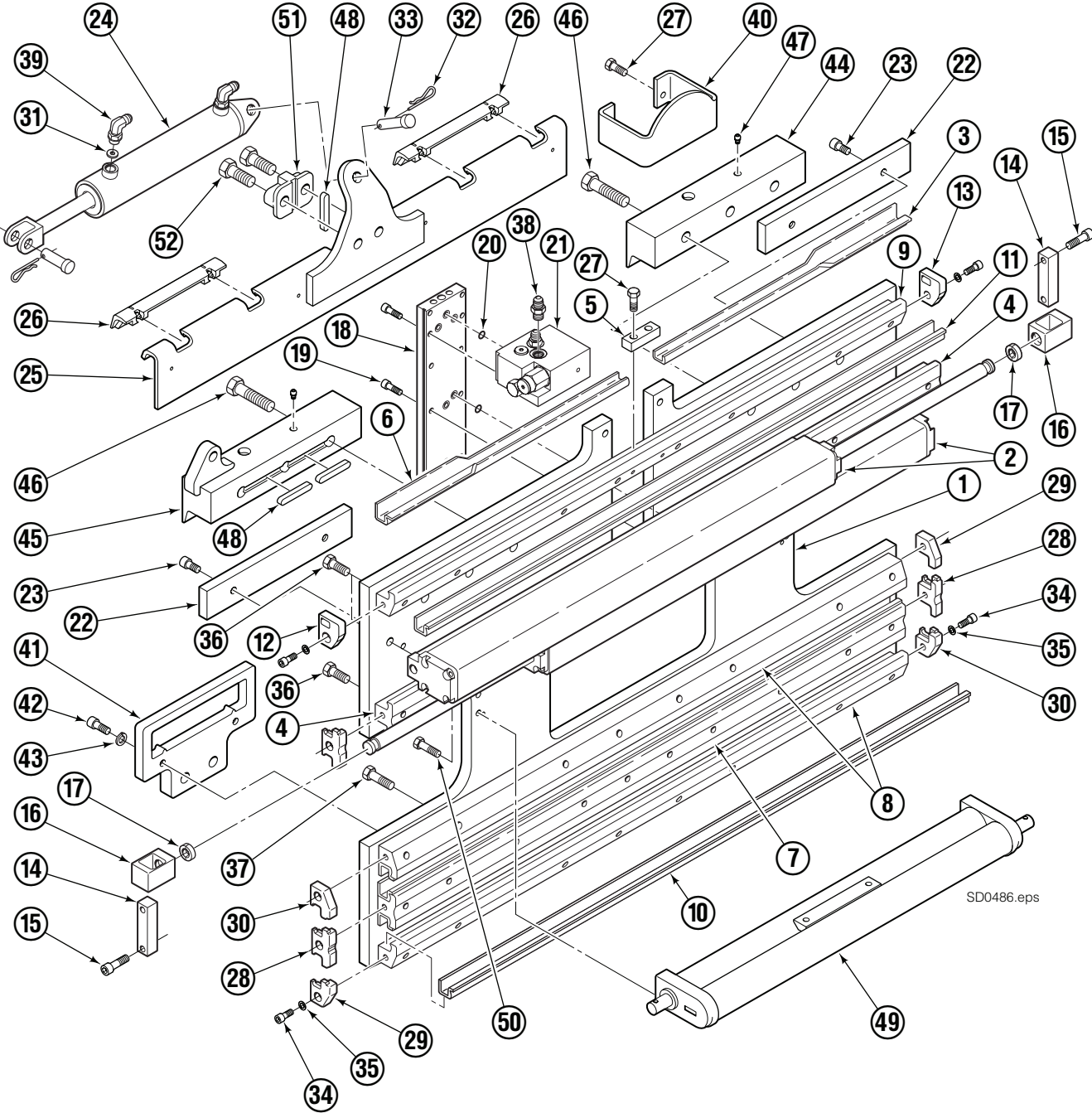
55E			
REF	QTY	PART NO.	DESCRIPTION
1	6	665595	No Hand Hold Decal
2	4	679150	No Step Decal

# Publications



55E	
215793	Service Manual
213580	Operator's Guide
213372	Installation Instructions
679929	Tool Catalog
673964	Literature Index Order Form

# Base Unit Group



SD0486.eps

# Base Unit Group

55F			
REF	QTY	PART NO.	DESCRIPTION
		6131490	Base Unit Group
1	1	6128819	Baseplate (28506)
2	2	214624	Frame Cylinder ❖
3	1	6131500	Bearing Segment – LH (4786)
4	2	6116811	T-Bar – Upper (28323)
5	1	393130	Fork Stop
6	1	6131501	Bearing Segment – RH (4787)
7	1	6116813	T-Bar – Lower (28324)
8	2	6116815	T-Bar – Lower (28325)
9	1	6116808	T-Bar – Upper (28322)
10	4	4730-1040	Bearing Segment
11	4	4730-1050	Bearing Segment

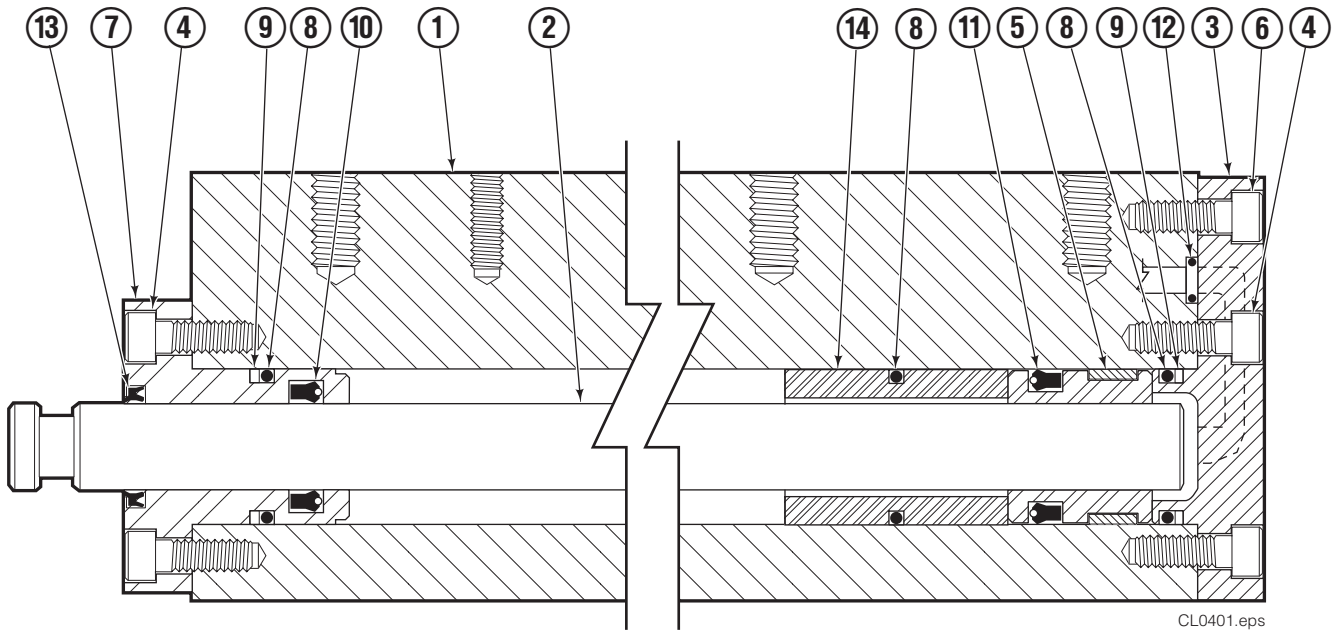
❖ See Frame Cylinder page for parts breakdown.  
Reference: S-28555.

REF	QTY	PART NO.	DESCRIPTION	REF	QTY	PART NO.	DESCRIPTION
		6128565	Common Parts Group	33	2	206926	Clevis Pin
12	1	211380	Retainer/Stop – RH	34	10	787375	Capscrew, M8 x 20
13	1	211379	Retainer/Stop – LH	35	10	6125098	Washer, M8
14	2	210489	■ Rod End Anchor	36	26	211689	Capscrew, M12 x 30
15	4	768303	■ Capscrew, M10 x 35	37	24	214487	Capscrew, M12 x 40
16	2	209741	■ Rod End	38	2	604511	◆ Fitting, 6-6
17	4	210490	■ Retainer Half Ring	39	2	601676	◆ Fitting, 6-6
18	1	211456	Manifold	40	1	6128392	Valve Guard
19	10	768208	Capscrew, M8 x 25	41	2	215226	Hanger
20	7	214053	O-Ring	42	4	767615	Capscrew, M10 x25
21	1	6115159	Valve Assembly ●	43	4	787383	Lockwasher, M10
22	2	6125824	Strap	44	1	6125817	Upper Mounting Hook – LH
23	4	767614	Capscrew, M10 x 20	45	1	6125818	Upper Mounting Hook – RH
24	1	675548	Sideshift Cylinder ▲	46	6	751525	Capscrew, M16 x 65
25	1	6128972	Anchor Bracket	47	2	7403	Grease Fitting
26	2	6127049	Upper Bearing	48	2	209542	Key
27	4	684649	Capscrew, M10 x 25		1	209542	★ Key
28	4	210140	Bearing Retainer	49	1	6129916	Spring Can Assembly
29	2	212585	Bearing Retainer	50	4	200788	Capscrew, M10 x 35
30	2	212586	Bearing Retainer	51	1	6131029	★ Key
31	1	675550	Restrictor Washer	52	2	219529	★ Capscrew, M16 x 40
32	2	672726	Cotter Pin				

■ Included in Cylinder Rod Anchor Kit 213856.  
● See Valve Assembly page for parts breakdown.  
▲ See Sideshift Cylinder page for parts breakdown.

◆ Included in Fitting Group 213099.  
★ Included with Anchor Bracket 6128972.  
Reference: SK-12190.

# Frame Cylinder



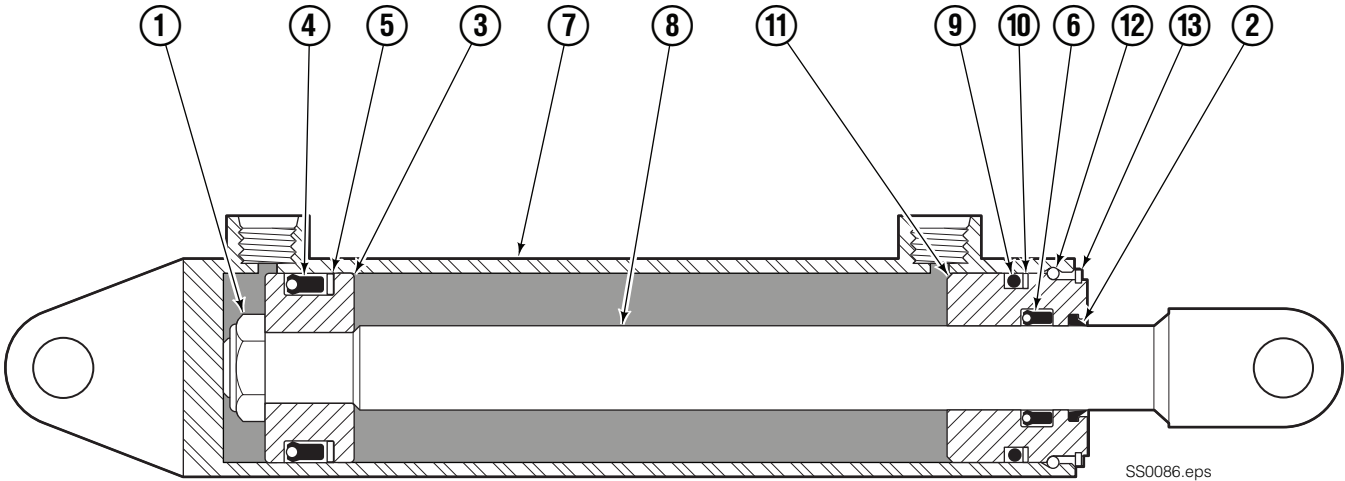
CL0401.eps

55E			
REF	QTY	PART NO.	DESCRIPTION
		214624	Cylinder Assembly
1	1	214623	Cylinder/Shell
2	1	4157-880	Rod
3	1	213783	End Cap
4	8	768208	Capscrew, M8 x 25
5	1	209809	◆ Bearing
6	1	787375	Capscrew, M8 x 20
7	1	212452	Retainer
8	3	643379	◆ O-Ring
9	2	210050	◆ Back-Up Ring
10	1	212477	◆ Seal
11	1	209808	◆ Seal
12	1	214053	◆ O-Ring
13	1	562131	◆ Wiper
14	1	—	Spacer
		210288	Service Kit

◆ Included in Service Kit 210288.

Reference: S-4643, S-4644.

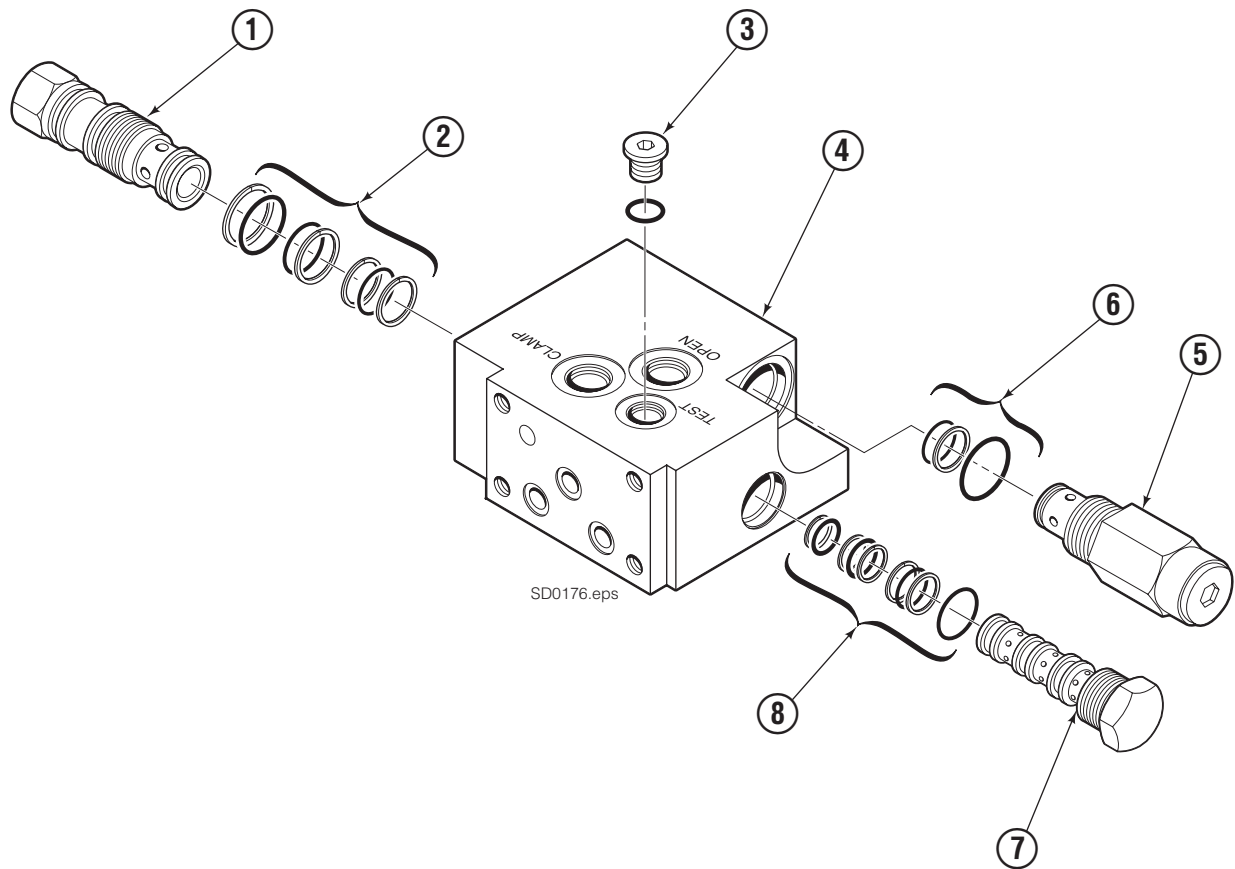
# Sideshift Cylinder



REF	QTY	PART NO.	DESCRIPTION
		675548	Cylinder Assembly
1	1	553857	Nut
2	1	636851	■ Wiper
3	1	553501	Piston
4	1	662452	■ Seal
5	1	638247	■ Back-up Ring
6	1	641835	■ Seal
7	1	675549	Shell
8	1	553499	Rod
9	1	2785	■ O-Ring
10	1	615128	■ Back-up Ring
11	1	553500	Retainer
12	1	553856	Retaining Ring
13	1	7202	Retaining Ring
		553861	Service Kit

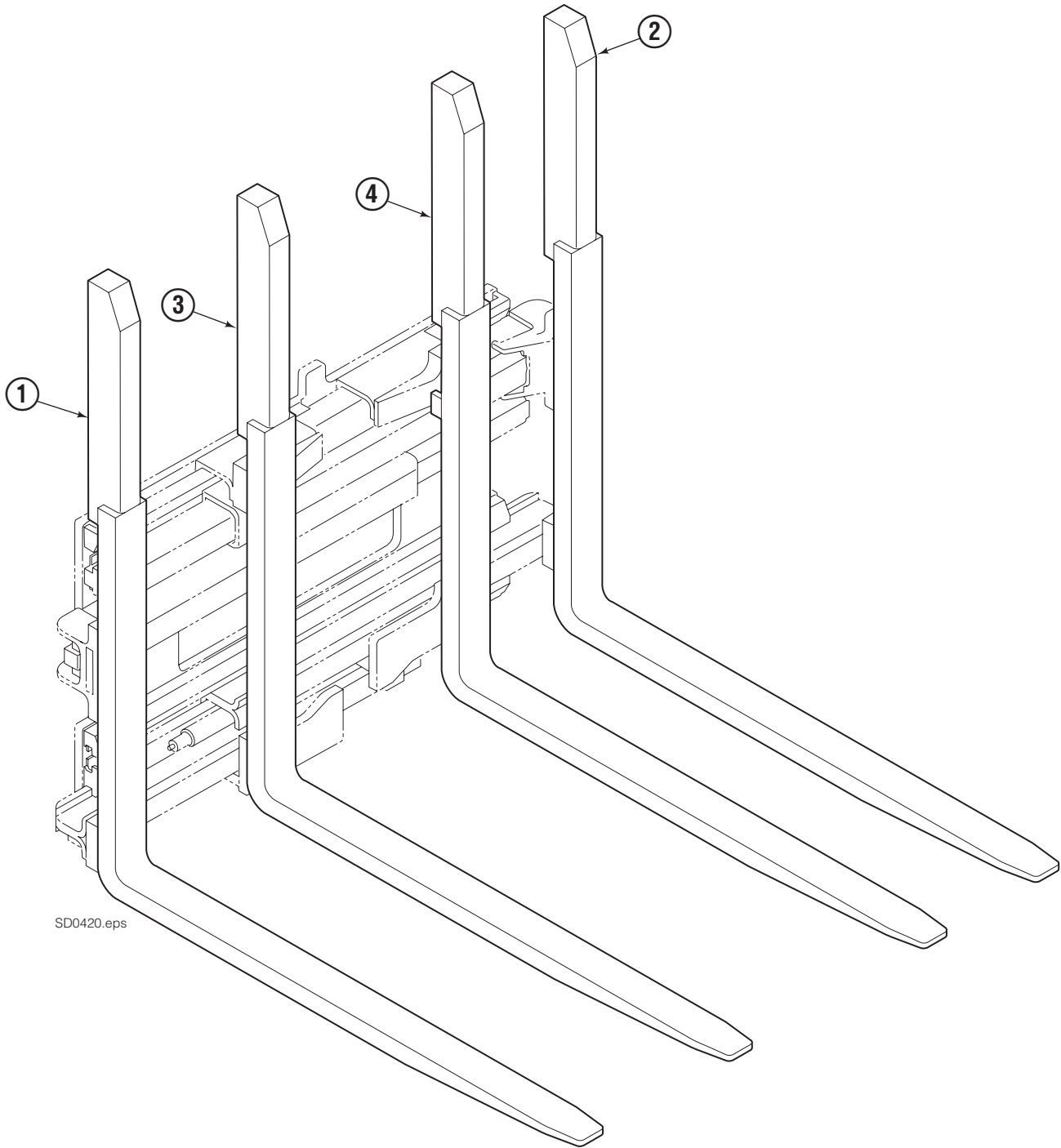
■ Included in Service Kit 553861.

# Valve Assembly



REF	QTY	PART NO.	DESCRIPTION
		6115159	Valve Assembly
1	1	6121796	Check Valve
2	1	6137234	Service Kit
3	1	609234	Plug
4	1	6121775	Valve Body
5	1	6109571	Relief Valve
6	1	220151	Service Kit
7	1	6024293	Flow Divider Valve
8	1	6126153	Service Kit

# Tube Backrest/Fork Group

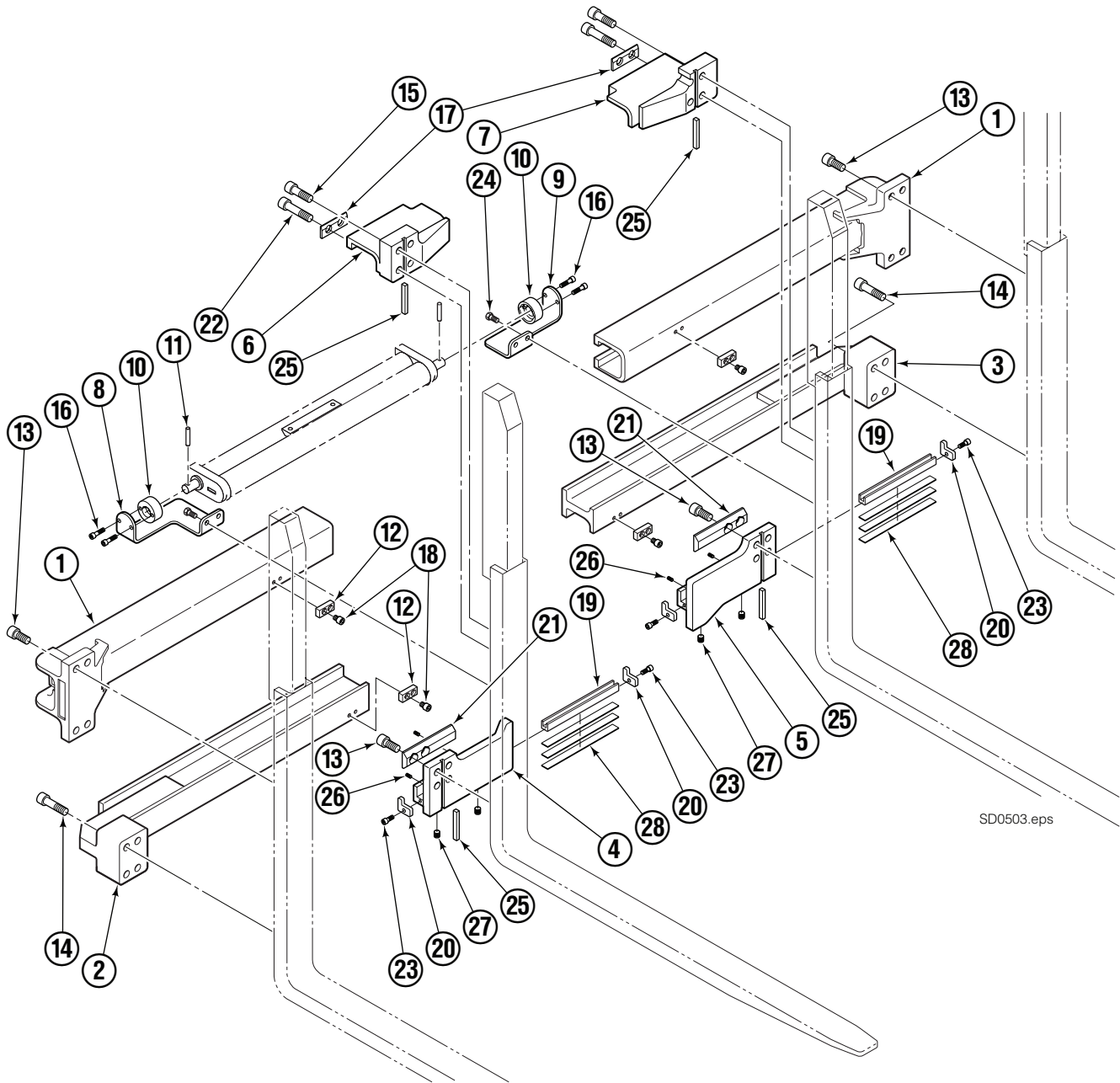


SD0420.eps

55F			
REF	QTY	PART NO.	DESCRIPTION
		6131497	Fork Group
1	1	6126576	Outer Fork – RH
2	1	6126575	Outer Fork – LH
3	1	6131494	Inner Fork – RH
4	1	6131495	Inner Fork – LH

Reference: S-28191, S-28255.

# Arm Group



SD0503.eps

# Arm Group

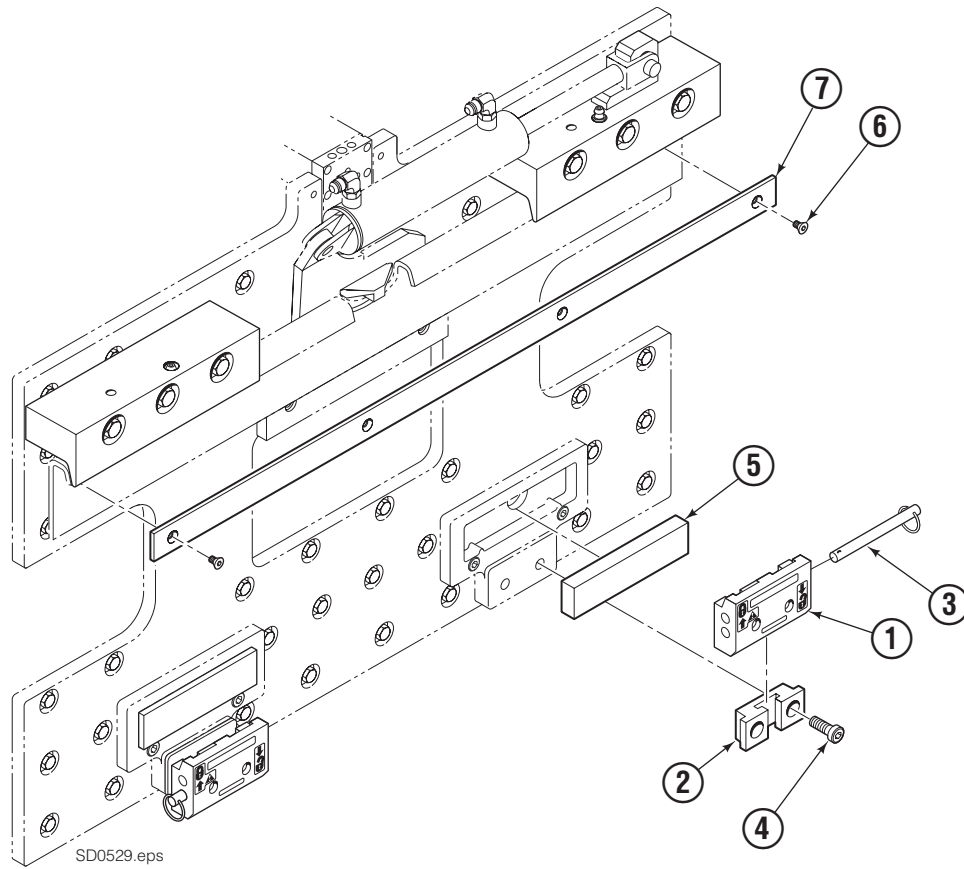
55F			
REF	QTY	PART NO.	DESCRIPTION
		6128686	Arm Group
1	2	6117235	Upper Arm Bar (28343)
2	1	6118839	Lower Arm Bar – RH (28358)
3	1	6118838	Lower Arm Bar – LH (28357)
4	1	6126987	Lower Hook – RH (28477)
5	1	6126986	Lower Hook – LH (28477)
6	1	6126977	Upper Hook – RH (28474)
7	1	6126976	Upper Hook – LH (28474)
8	1	6130008	Cylinder Bracket – RH
9	1	6130007	Cylinder Bracket – LH
10	2	6129471	Retainer
11	2	6110442	Pin, M6 x 32
12	4	212687	Fork Stop
13	16	769574	Capscrew, M16 x 35
14	8	769578	Capscrew, M16 x 60
15	4	769577	Capscrew, M16 x 50
16	4	768795	Capscrew, M8 x 30
17	2	6110402	Bearing Plate
18	8	214414	Capscrew, M10 x 12
19	2	4501-0222	Bearing Segment
20	4	6122007	Bearing Retainer
21	2	213899	Bearing
22	4	682073	Capscrew, M16 x 70
23	4	787375	Capscrew, M8 x 20
24	4	684594	Capscrew, M10 x 20
25	4	213364	Key
26	4	6126868	Setscrew, M6 x 12
27	4	781422	Setscrew, M12 x 12
28	◆	228395	Shim

◆ As required.

Reference: Common Parts Group 6130034.

# Mounting Group - Quick Disconnect

## ITA Class II



55F			
REF	QTY	PART NO.	DESCRIPTION
		6128878	Mounting Group
1	2	675957	Lower Hook
2	2	675958	Guide
3	2	678832	Pin
4	4	221305	Capscrew, M16 x 55
5	2	6108953	Lower Bearing
6	4	768684	Capscrew, M6 x 10
7	1	6125861	Plate



**Do you have questions you need answered right now?** Call your nearest Cascade Parts Department. Visit us online at [www.cascorp.com](http://www.cascorp.com)

**Cascade Corporation  
U.S. Headquarters**  
2201 NE 201st  
Fairview, OR 97024-9718  
Tel: 800-CASCADE (227-2233)  
FAX: 888-329-8207

**Cascade Canada Inc.**  
5570 Timberlea Blvd.  
Mississauga, Ontario  
Canada L4W-4M6  
Tel: 905-629-7777  
FAX: 905-629-7785

**Cascade GmbH**  
Niederwippekühl 1  
58579 Schalksmühle  
Germany  
Tel: 02355-50900  
FAX: 02355-509020

**Cascade Finland**  
A. Petreliuksenkatu 3  
01370 Vantaa  
Finland  
Tel: 09-8361925  
FAX: 09-8361935

**Cascade N.V.  
Benelux Sales and Service**  
Damsluisweg 56  
PO Box 3009  
1300 El Almere  
The Netherlands  
Tel: 036-5492950  
FAX: 036-5492974

**Cascade Kenhar Ltd.**  
3 Kelbrook Road  
Parkhouse Ind. Estate  
Openshaw,  
Manchester M11 2DD  
England  
Tel: 0800-243015  
FAX: 0161-4384055

**Sales Scotland  
Macade Systems Ltd.**  
18 Melford Road  
Righead Ind. Estate  
Bellshill ML4 3LR  
Scotland  
Tel: 01698-845777  
FAX: 01698-845888

**Cascade (Africa) Pty. Ltd.**  
PO Box 625, Isando 1600  
60A Steel Road  
Sparton, Kempton Park  
South Africa  
Tel: 27-11-975-9240  
FAX: 27-11-394-1147

**Cascade Scandinavia AB**  
Hammarvägen 10  
PO Box 124  
S-56723 Vaggeryd  
Sweden  
Tel: 039-336950  
FAX: 039-336959

**Cascade France  
S.A.R.L. MHP**  
1D Rue De Charaintru BP 18,  
91360 Epinay-Sur-Orge  
France  
Tel: 01-6454-7500  
FAX: 01-6454-7501

**Cascade Hispania S.A.**  
Carrer 5, Sector C  
Zona Franca Duanera  
Poligono de la Zona Franca  
08040 Barcelona, Spain  
Tel: 93-264-07-30  
FAX: 93-264-07-31

**Cascade Italia S.R.L.**  
Via Dell'Artigianato 1  
37050 Vago di Lavagno (VR)  
Italy  
Tel: 39-045-8989111  
FAX: 39-045-8989160

**Movimenta Lda.**  
Parque Industrial  
Vale do Alecrim, Lote 108  
2950-403 Palmela  
Portugal  
Tel: 351-212387340  
FAX: 351-212387349

**Sales Switzerland  
Fahrzeugbedarf**  
8810, Horgen  
Switzerland  
Tel: 01-7279797  
FAX: 01-7279798

**Sales Poland**  
Targowa 35/61  
03-728 Warszawa  
Tel: 022-619 00 49  
FAX: 022-619 00 49  
Mobile Tel: 0501-27 29 55

**Sales Russia**  
EMCG Material Handling  
Equipment  
Moscow  
Tel: 095-795-2400  
FAX: 095-795-2475  
Email: [emcg@emcg.ru](mailto:emcg@emcg.ru)

**Cascade Japan Ltd.**  
5-5-41,  
Torikai Kami  
Settsu, Osaka  
Japan, 566  
Tel: 81-726-53-3490  
FAX: 81-726-53-3497

**Cascade Korea**  
121B 9L Namdong Ind.  
Complex, 691-8 Gojan-Dong  
Namdong-Ku  
Inchon, 405-310 Korea  
Tel: 82-32-821-2051  
FAX: 82-32-821-2055

**Cascade Australia**  
1445 Ipswich Road  
Rocklea, QLD 4107  
Australia  
Tel: 1-800-227-223  
FAX: 617-3373-7333

**Cascade New Zealand**  
15 Ra Ora Drive  
East Tamaki, Auckland  
New Zealand  
Tel: 64-9-273-9136  
FAX: 64-9-273-9137

**Cascade-Xiamen**  
No. 668 Yangguang Rd.  
Xinyang Industrial Zone  
Haicang, Xiamen City  
Fujian Province  
P.R. China 361026  
Tel: 86-592-651-2500  
FAX: 86-592-651-2571

**Sunstream Industries  
Pte Ltd.**  
No. 3 Tuas Link 1  
2263  
Singapore  
Tel: 65-6863-3488  
FAX: 65-6863-1368

**Cascade do Brasil  
Distribuidora de Garras  
e Garfos LTDA**  
Rua João Guerra, 134  
Macuco, Santos - SP  
Brasil 11015-130  
Tel: 55-13-2105-8800  
Fax: 55-13-2105-8899

