



Parts Manual

Model Single-Double Pallet Handler

Serial Number 70E-FDS-B001R7

cascade[®]
corporation

For Technical Assistance call: 800-227-2233, Fax: 888-329-8207

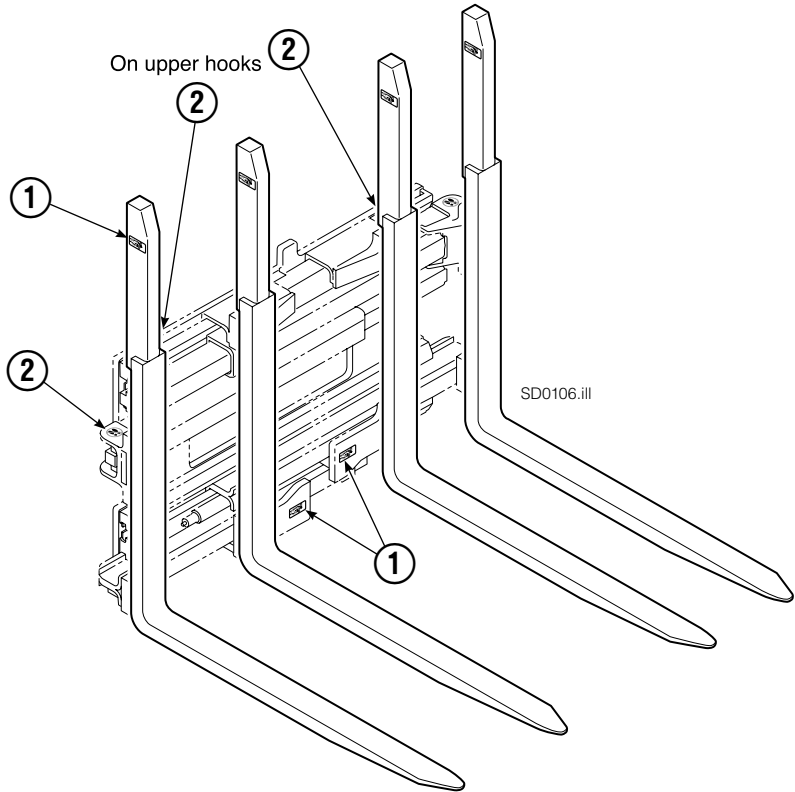
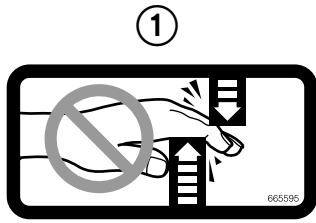
To Order Parts call: 888-227-2233, Fax: 888-329-0234

OR

Write: Cascade Corporation, P.O. Box 20187, Portland, OR 97220

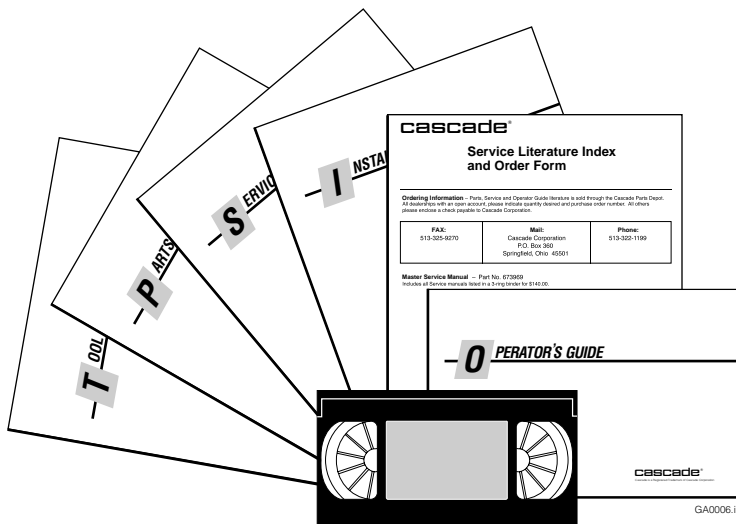
Internet: www.cascorp.com

Safety Decals



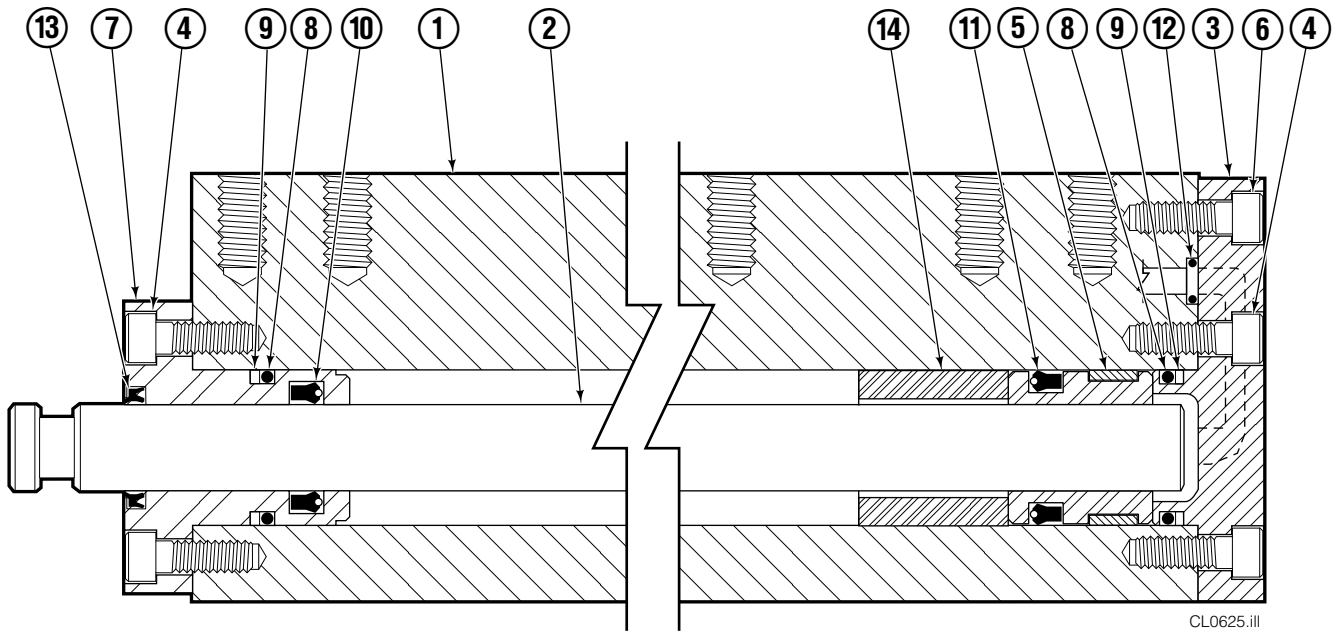
55E			
REF	QTY	PART NO.	DESCRIPTION
1	6	665595	No Hand Hold Decal
2	4	679150	No Step Decal

Publications



55E	
215793	Service Manual
213580	Operator's Guide
213372	Installation Instructions
679929	Tool Catalog
673964	Literature Index Order Form

Cylinder

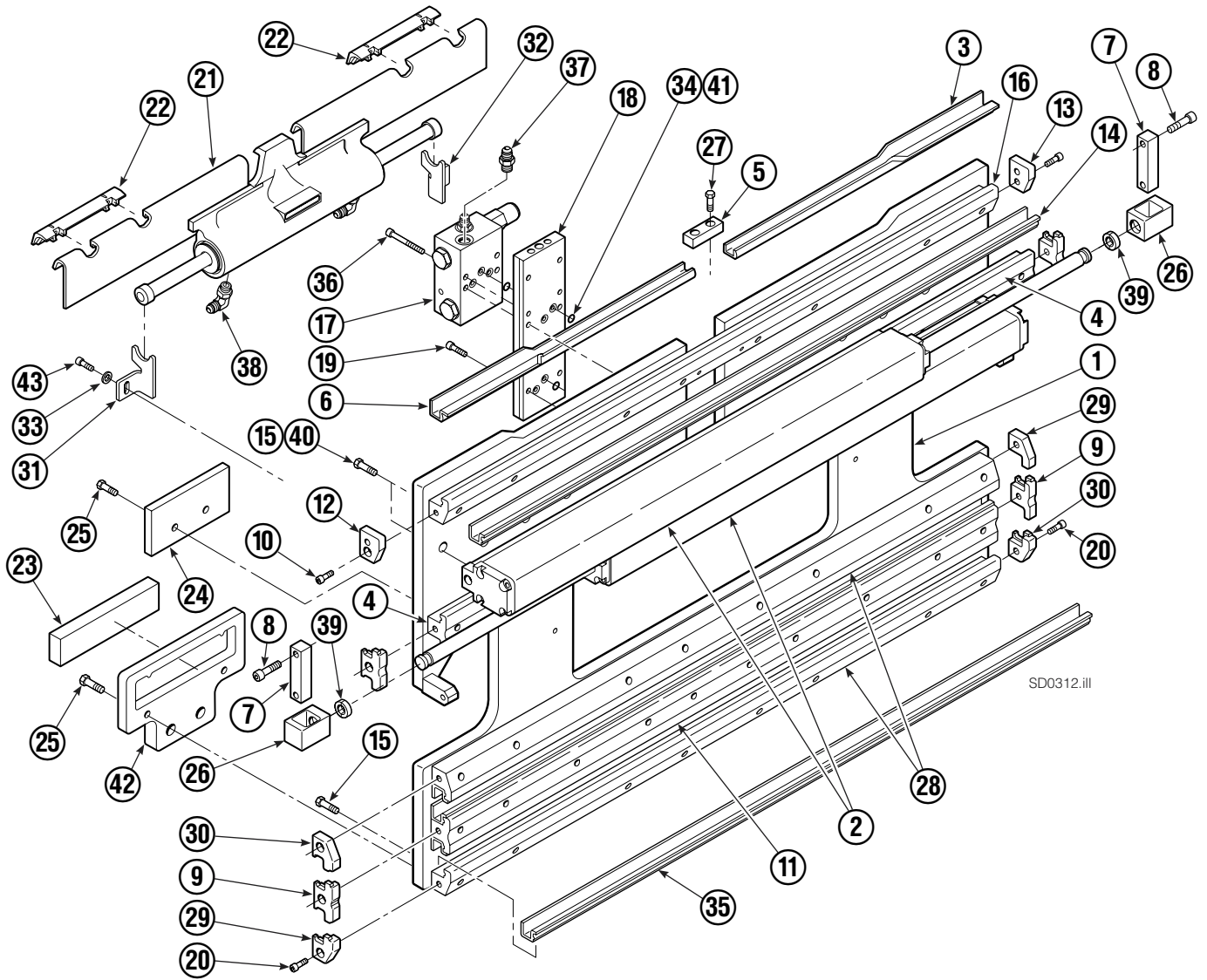


70E							
REF	QTY	PART NO.	DESCRIPTION	REF	QTY	PART NO.	DESCRIPTION
		6109657	Cylinder Assembly	8	3	210088	▲ O-Ring
1	1	6109658	Cylinder/Shell	9	2	564601	▲ Back-Up Ring
2	1	4126-0894	Rod	10	1	212478	▲ Seal
3	1	209744	Cap	11	1	564349	▲ Seal
4	8	768208	Capscrew, M8 x 25	12	2	564448	▲ O-Ring
5	1	209748	▲ Bearing	13	1	564408	▲ Wiper
6	1	787375	Capscrew, M8 x 20	14	1	4273-0041	Spacer
7	1	212449	Retainer			209771	Service Kit

▲ Included in Service Kit 209771.

Reference: S-28072.

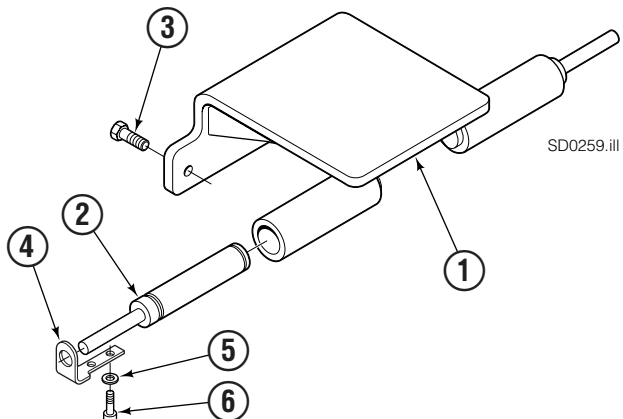
Base Unit Group



Inner Fork Control Group

70E			
REF	QTY	PART NO.	DESCRIPTION
		6102292	Inner Fork Control Group ▼
1	1	6102293	Bracket
2	2	225395	Gas Cylinder
3	3	683821	Capscrew, M12 x 20
4	2	230791	Retainer
5	4	202346	Washer, M6
6	4	768785	Capscrew, M6 x 10

▼ Included in Base Unit Group 6121269.



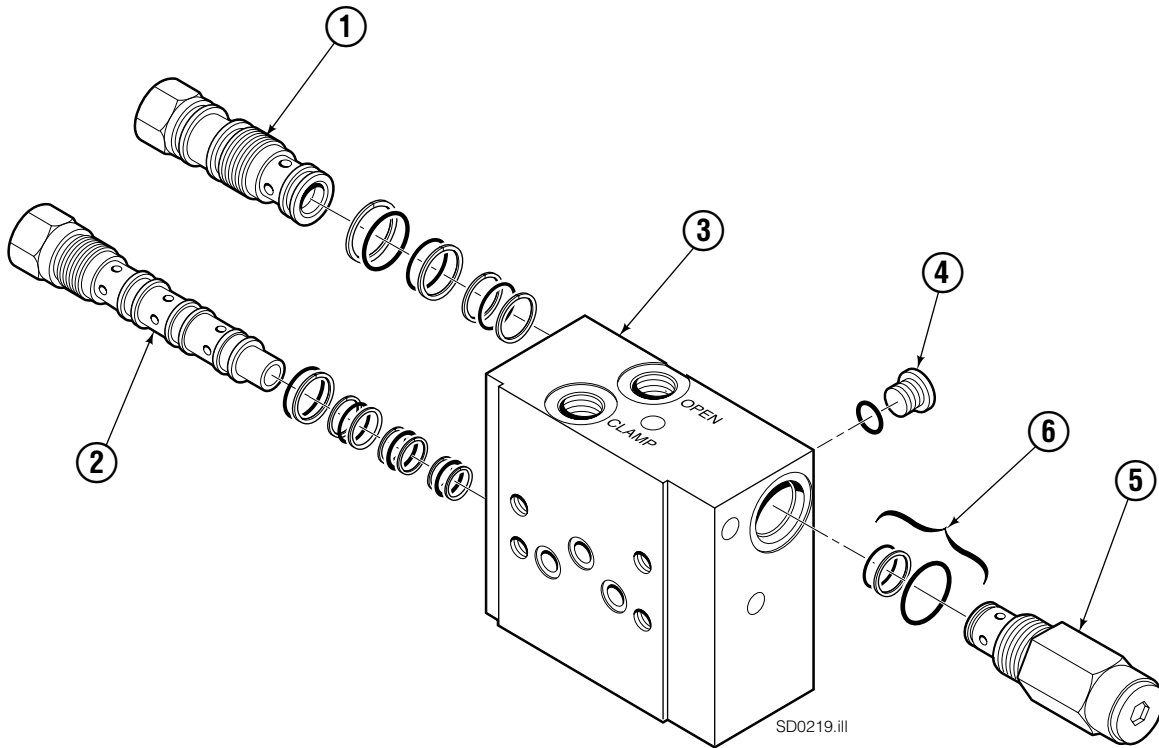
Base Unit Group

70E			
REF	QTY	PART NO.	DESCRIPTION
		6121269	Base Unit Group ■
1	1	6109656	Baseplate
2	2	6109657	Frame Cylinder ★
3	1	4776-778	Bearing Segment – LH
4	2	6109659	T-Bar – Upper
5	1	6108551	Fork Stop
6	1	4777-778	Bearing Segment – RH
7	2	209844	Rod End Anchor
8	4	768828	Capscrew, M12 x 45
9	4	210141	Bearing Retainer
10	2	767614	Capscrew, M10 x 20
11	1	6116858	T-Bar – Lower
12	1	6121272	Retainer/Stop – RH
13	1	6121271	Retainer/Stop – LH
14	4	10603-1188	Bearing Segment
15	33	219529	Capscrew, M16 x 40
16	1	6121275	T-Bar – Upper
17	1	216835	Valve Assembly ▲
18	1	225408	Manifold
19	4	768208	Capscrew, M8 x 25
20	6	787375	Capscrew, M8 x 20
21	1	796247	Sideshift Cylinder ●
22	2	672018	Upper Bearing
23	2	6104908	Lower Bearing
24	2	212709	Spacer Block
25	8	767615	Capscrew, M10 x 25
26	2	209843	Rod End
27	2	684649	Capscrew, M10 x 25
28	2	6116859	T-Bar – Lower
29	2	223937	Bearing Retainer
30	2	223938	Bearing Retainer
31	1	225441	Bracket – RH
32	1	225440	Bracket – LH
33	2	787398	Washer, M8
34	3	214053	O-Ring
35	4	10603-1196	Bearing Segment
36	2	768804	Capscrew, M8 x 80
37	2	604511	◆ Fitting, 6-6
38	2	601676	◆ Fitting, 6-6
39	4	209850	Retainer Half Ring
40	19	211128	Capscrew, M16 x 30
41	4	564448	O-Ring
42	2	215226	Hanger
43	2	787372	Capscrew, M8 x 20

Reference: Common Parts Group 6121270.

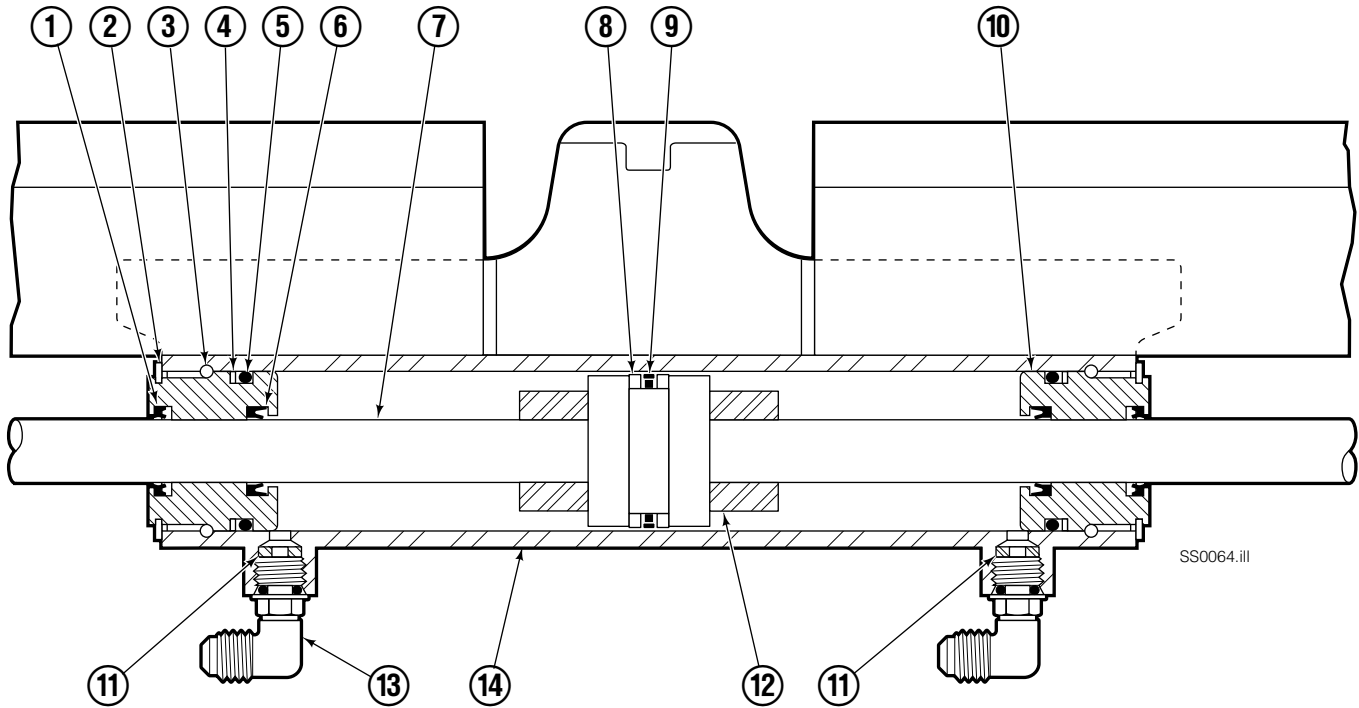
- ★ See Frame Cylinder page for parts breakdown.
- ▲ See Valve Assembly page for parts breakdown.
- See Sideshift Cylinder page for parts breakdown.
- ◆ Included in Fitting Group 213099.
- Includes Inner Fork Control Group 6102292.

Valve ITA Class II

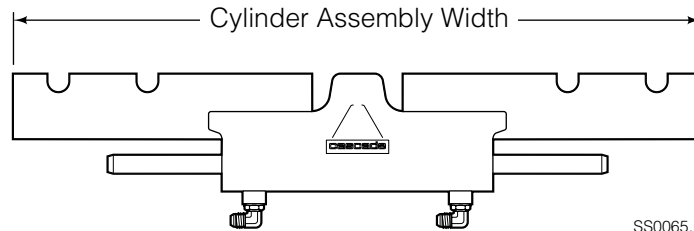


70E			
REF	QTY	PART NO.	DESCRIPTION
		216835	Valve Assembly
1	1	219039	Check Valve
2	1	219040	Flow Divider/Combiner
3	1	216836	Valve Body
4	1	609234	Plug
5	1	213535	Crossover Relief Valve
6	1	682170	Service Kit

Cylinder



SS0064.ill



SS0065.ill

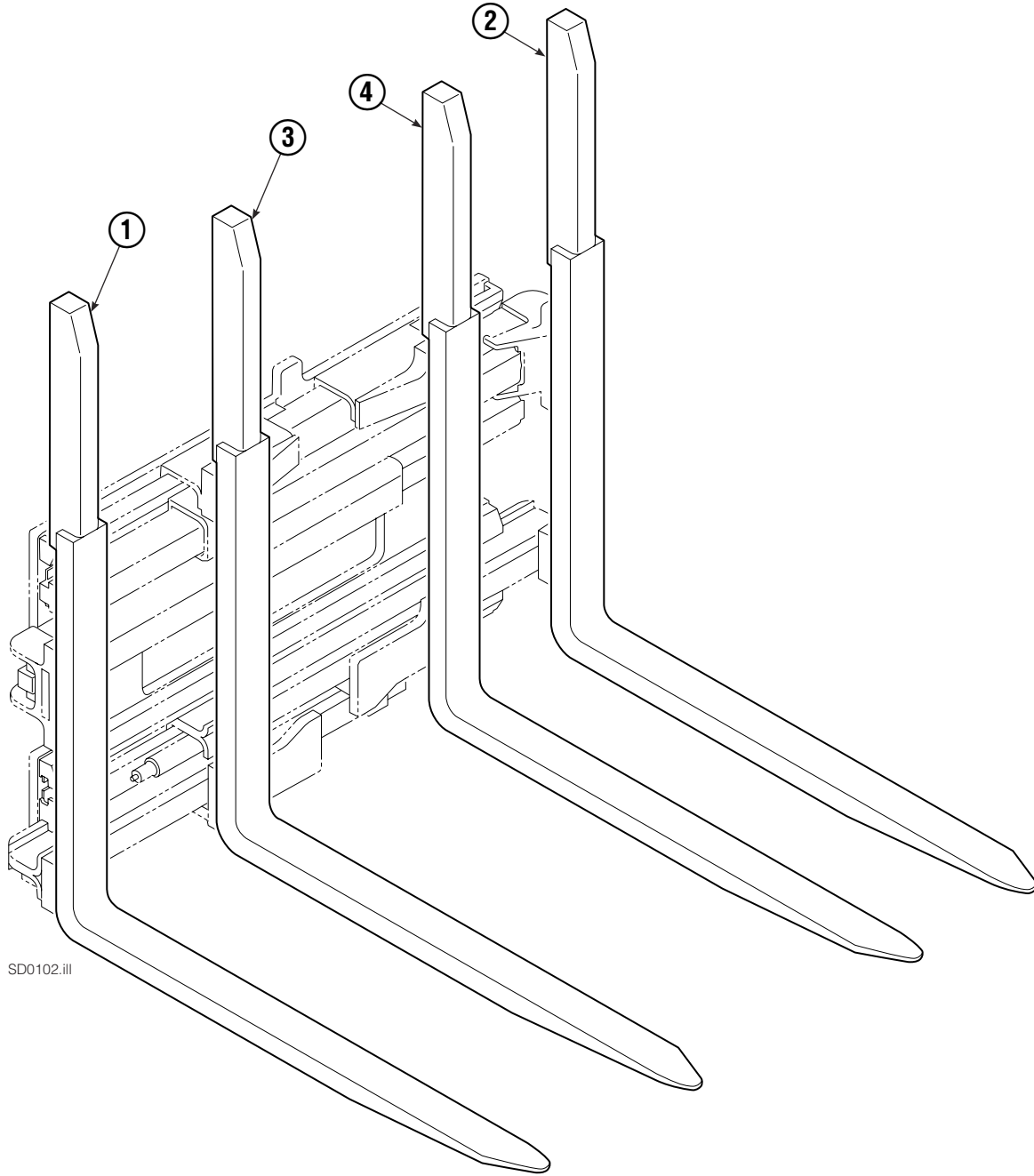
70E

REF	QTY	PART NO.	DESCRIPTION	REF	QTY	PART NO.	DESCRIPTION
		796247	Cylinder Assembly, 40 in. (1020 mm)	8	2	564404	● Bearing Ring
1	2	564408	● Wiper Seal	9	1	564407	● Piston Seal
2	2	3154	Snap Ring	10	2	564402	Retainer
3	2	564403	Retaining Ring	11	1	205369	Speed Control Washer
4	2	615131	● Back-Up Ring	12	2	—	Spacer
5	2	2789	● O-Ring	13	2	601676	Fitting, JIC 6-6
6	2	564406	● Rod Seal	14	—	■	Cylinder Shell
7	1	564401	Rod			564409	Service Kit

● Included in Service Kit 564409.

■ Not serviceable, order new cylinder assembly.

Tube Backrest/Fork Group

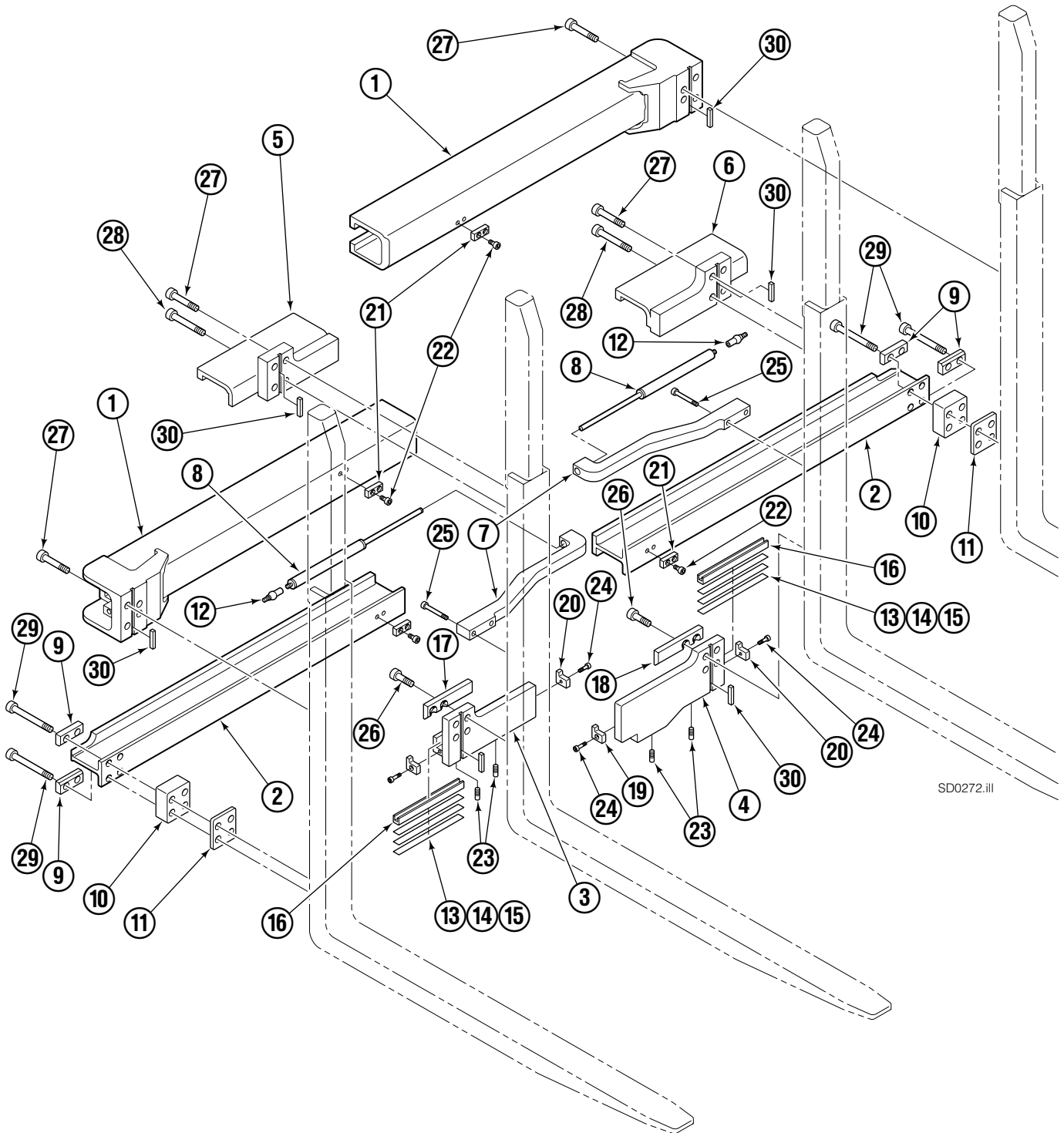


SD0102.ill

70E			
REF	QTY	PART NO.	DESCRIPTION
		6102803	Backrest and Fork Group
1	1	6102532	Outer Fork - RH
2	1	6102531	Outer Fork - LH
3	1	229179	Inner Fork - RH
4	1	229178	Inner Fork - LH

Reference: S-28077, 28078, 28081.

Arm Group



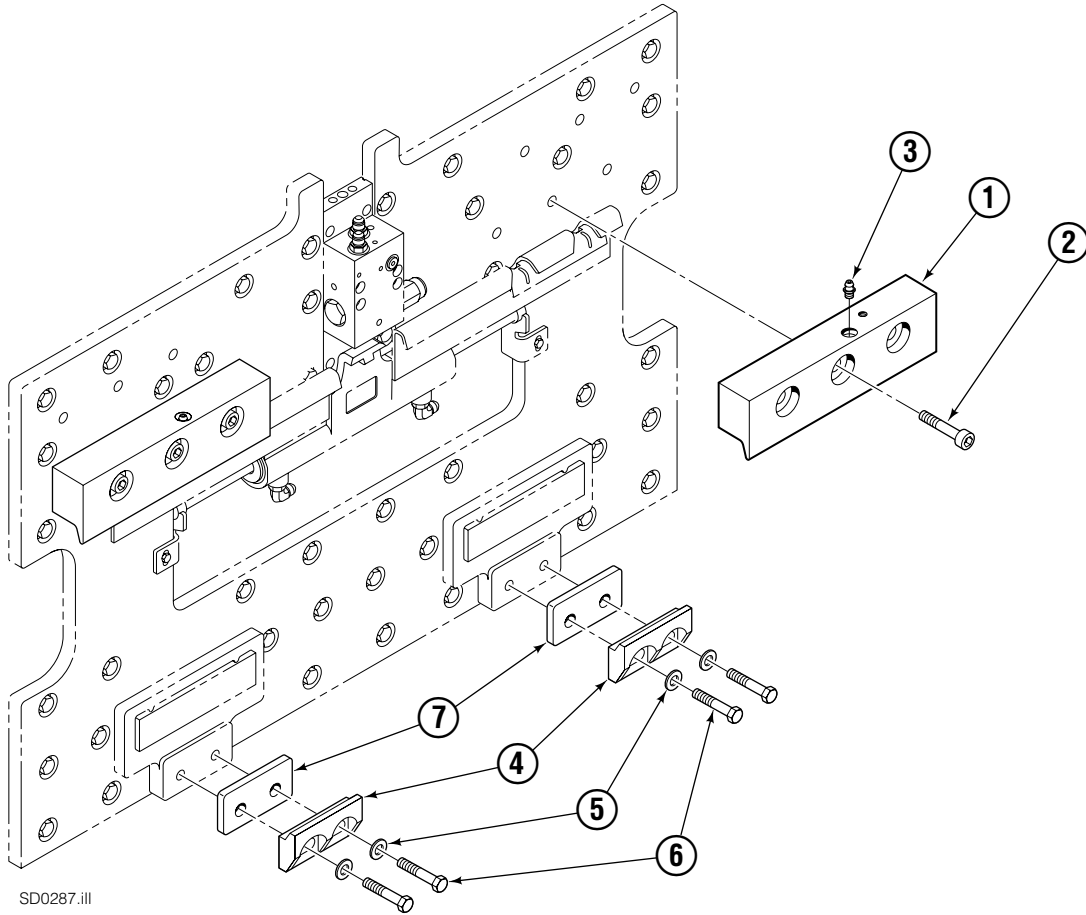
SD0272.iii

Arm Group

70E			
REF	QTY	PART NO.	DESCRIPTION
		6007722	Arm Group
1	2	6009241	Arm Bar – Upper
2	2	6009296	Arm Bar – Lower
3	1	6009304	Lower Hook – RH
4	1	6009929	Lower Hook – LH
5	1	6009286	Upper Hook – RH
6	1	6009936	Upper Hook – LH
7	2	6006068	Bracket
8	2	224175	Gas Cylinder
9	4	226948	Reinforcing Plate
10	2	226949	Spacer
11	4	228394	Spacer
12	2	224189	Ball Joint
13	2	228395	Shim, 2 mm.
14	4	212559	Shim, 1 mm.
15	4	213913	Shim, .05 mm.
16	2	4501-0222	Bearing Segment
17	1	212682	Bearing – RH
18	1	213899	Bearing – LH
19	2	212979	Bearing Retainer
20	2	213360	Bearing Retainer
21	4	212687	Fork Stop
22	8	214414	Capscrew, M10 x 12
23	4	768755	Setscrew, M12 x 16
24	4	787375	Capscrew, M8 x 20
25	4	768813	Capscrew, M10 x 55
26	8	769574	Capscrew, M16 x 35
27	12	769577	Capscrew, M16 x 50
28	4	769578	Capscrew, M16 x 60
29	8	228400	Capscrew, M16 x 80
30	6	213364	Key

Reference: Common Parts Group 228397.

Mounting Group ITA Class III



70E

REF	QTY	ITA III	DESCRIPTION
		PART NO.	
		6103288	Upper Hook Group ▲
		6104909	Lower Hook Group ★
1	2	218206	Upper Hook
2	6	229187	Capscrew, M16 x 70
3	2	7403	Grease Fitting
4	2	675969	Lower Hook
5	4	667225	Washer
6	4	751511	Capscrew, M16 x 55
7	2	6104878	Spacer

▲ Includes items 1 and 2.

★ Includes items 4-7.

Recommended Spare Parts List

Single-Double Pallet Handler — 70E-FDS-B001 R7				
PART NUMBER	DESCRIPTION	ATTACHMENTS SERVICED		
		1-5	6-15	16-50
	BASE UNIT			
672018	Upper Sideshifting Bearing	2	4	8
6104908	Lower Sideshifting Bearing	2	4	8
219529	Capscrew	4	8	8
	ARM GROUP			
769577	Capscrew – Outer Fork	4	4	8
228400	Capscrew – Outer Fork	4	4	8
769578	Capscrew – Inner Fork	4	4	8
769574	Capscrew – Inner Fork	4	4	8
	FRAME CYLINDER			
6109657	Cylinder	0	1	2
6109658	Cylinder/Shell	0	2	2
209744	End Cap	0	2	2
212449	Retainer	2	4	4
209771	Cylinder Service Kit	1	2	4
	SIDESHIFT CYLINDER			
796247	Cylinder	0	0	1
564401	Rod	0	1	2
564402	Retainer	0	1	2
564409	Cylinder Service Kit	1	1	2
	HYDRAULICS			
216835	Valve Assembly	0	0	1
219039	Check Valve	1	1	2
213535	Crossover Relief Valve	1	1	1
682170	Crossover Relief Valve Service Kit	1	1	2
219040	Flow Divider Cartridge	1	1	1
	MOUNTING GROUP			
218206	Upper Hook	1	2	3
675969	Lower Hook	2	4	6
	PAINT			
212988	12 oz. Aerosol Can - Gray	1	1	1
	PUBLICATIONS			
	Parts Manual	1	1	1
215793	Service Manual	1	1	1
213372	Installation Instructions	1	1	1
213580	Operator's Guide	1	1	1
679929	Tool Catalog	1	1	1
673964	Literature Index Order Form	1	1	1

Do you have questions you need answered right now? Call your nearest Cascade Parts Department. Visit us online at www.cascorp.com

**Cascade Corporation
U.S. Headquarters**
2201 NE 201st
Fairview, OR 97024-9718
Tel: 800-CASCADE (227-2233)
FAX: 888-329-8207

Cascade Canada Inc.
5570 Timberlea Blvd.
Mississauga, Ontario
Canada L4W-4M6
Tel: 905-629-7777
FAX: 905-629-7785

Cascade GmbH
Niederwippekühl 1
58579 Schalksmühle
Germany
Tel: 02355-50900
FAX: 02355-509020

Cascade Finland
A. Petreliuksenkatu 3
01370 Vantaa
Finland
Tel: 09-8361925
FAX: 09-8361935

**Cascade N.V.
Benelux Sales and Service**
Damsluisweg 56
PO Box 3009
1300 El Almere
The Netherlands
Tel: 036-5492950
FAX: 036-5492974

Cascade Kenhar Ltd.
3 Kelbrook Road
Parkhouse Ind. Estate
Openshaw,
Manchester M11 2DD
England
Tel: 0800-243015
FAX: 0161-4384055

**Sales Scotland
Macade Systems Ltd.**
18 Melford Road
Righead Ind. Estate
Bellshill ML4 3LR
Scotland
Tel: 01698-845777
FAX: 01698-845888

Cascade (Africa) Pty. Ltd.
PO Box 625, Isando 1600
60A Steel Road
Sparton, Kempton Park
South Africa
Tel: 27-11-975-9240
FAX: 27-11-394-1147

Cascade Scandinavia AB
Hammarvägen 10
PO Box 124
S-56723 Vaggeryd
Sweden
Tel: 039-336950
FAX: 039-336959

**Cascade France
S.A.R.L. MHP**
1D Rue De Charaintru BP 18,
91360 Epinay-Sur-Orge
France
Tel: 01-6454-7500
FAX: 01-6454-7501

Cascade Hispania S.A.
Carrer 5, Sector C
Zona Franca Duanera
Poligono de la Zona Franca
08040 Barcelona, Spain
Tel: 93-264-07-30
FAX: 93-264-07-31

Cascade Italia S.R.L.
Via Dell'Artigianato 1
37030 Vago di Lavagno (VR)
Italy
Tel: 39-045-8989111
FAX: 39-045-8989160

Movimenta Lda.
Parque Industrial
Vale do Alecrim, Lote 108
2950-403 Palmela
Portugal
Tel: 351-212387340
FAX: 351-212387349

**Sales Switzerland
Fahrzeugbedarf**
8810, Horgen
Switzerland
Tel: 01-7279797
FAX: 01-7279798

Sales Poland
Targowa 35/61
03-728 Warszawa
Tel: 022-619 00 49
FAX: 022-619 00 49
Mobile Tel: 0501-27 29 55

Sales Russia
EMCG Material Handling
Equipment
Moscow
Tel: 095-795-2400
FAX: 095-795-2475
Email: emcg@emcg.ru

Cascade Japan Ltd.
2-23, 2-Chome,
Kukuchi Nishimachi
Amagasaki, Hyogo
Japan, 661-0978
Tel: 81-726-53-3490
FAX: 81-726-53-3497

Cascade Korea
121B 9L Namdong Ind.
Complex, 691-8 Gojan-Dong
Namdong-Ku
Inchon, 405-310 Korea
Tel: 82-32-821-2051
FAX: 82-32-821-2055

Cascade Australia
1445 Ipswich Road
Rocklea, QLD 4107
Australia
Tel: 1-800-227-223
FAX: 617-3373-7333

Cascade New Zealand
15 Ra Ora Drive
East Tamaki, Auckland
New Zealand
Tel: 64-9-273-9136
FAX: 64-9-273-9137

Cascade-Xiamen
No. 668 Yangguang Rd.
Xinyang Industrial Zone
Haicang, Xiamen City
Fujian Province
P.R. China 361026
Tel: 86-592-651-2500
FAX: 86-592-651-2571

**Sunstream Industries
Pte Ltd.**
No. 3 Tuas Link 1
2263
Singapore
Tel: 65-6863-3488
FAX: 65-6863-1368

**Cascade do Brasil
LTDA**
Rua João Guerra, 134
Macuco, Santos - SP
Brasil 11015-130
Tel: 55-13-2105-8800
Fax: 55-13-2105-8899

