



Parts Manual

Model Single-Double Pallet Handler

Catalog Number 60F-FDS-111

cascade®
corporation

For Technical Assistance call: 800-227-2233, Fax: 888-329-8207

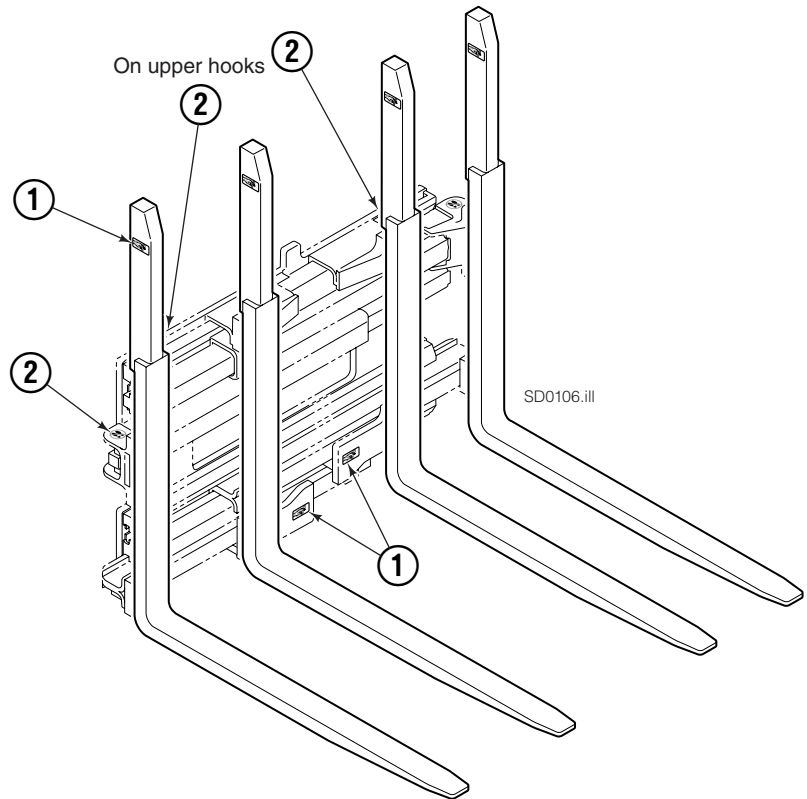
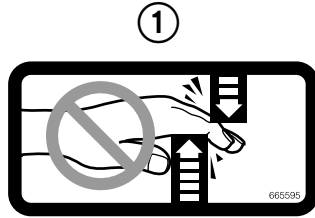
To Order Parts call: 888-227-2233, Fax: 888-329-0234

OR

Write: Cascade Corporation, P.O. Box 20187, Portland, OR 97220

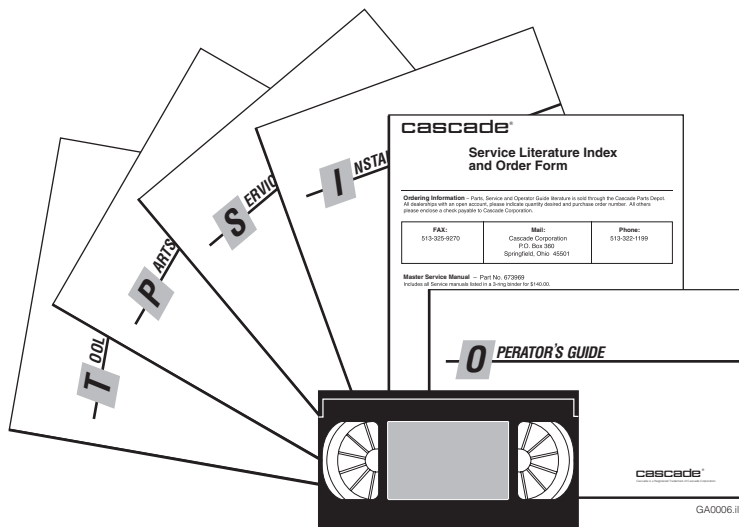
Internet: www.cascorp.com

Safety Decals



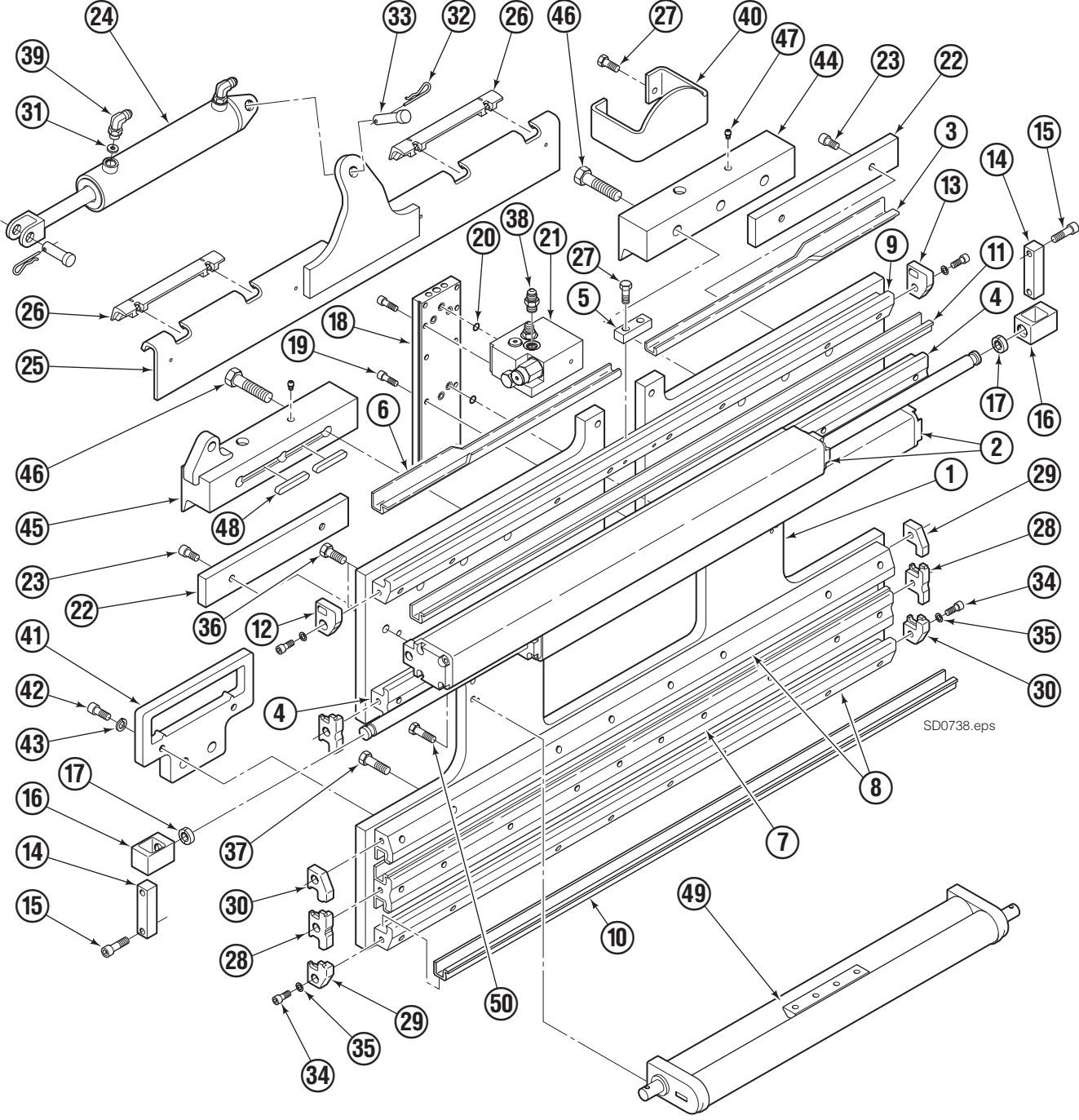
55E			
REF	QTY	PART NO.	DESCRIPTION
1	6	665595	No Hand Hold Decal
2	4	679150	No Step Decal

Publications



55E	
215793	Service Manual
213580	Operator's Guide
213372	Installation Instructions
679929	Tool Catalog
673964	Literature Index Order Form

Base Unit Group



SD0738.eps

Base Unit Group

60F			
REF	QTY	PART NO.	DESCRIPTION
		6142459	Base Unit Group
1	1	6128821	Baseplate
2	2	214620	Frame Cylinder ★
3	1	4786-0488	Bearing Segment – LH
4	2	6116810	T-Bar – Upper (S-28323)
5	1	212722	Fork Stop
6	1	4787-0488	Bearing Segment – RH
7	1	6116813	T-Bar – Lower (S-28324)
8	2	6116815	T-Bar – Lower (S-28325)
9	1	6116808	T-Bar – Upper (S-28322)
10	4	4730-1040	Bearing Segment
11	4	4730-1050	Bearing Segment

★ See Frame Cylinder page for parts breakdown.

REF	QTY	PART NO.	DESCRIPTION	REF	QTY	PART NO.	DESCRIPTION
		6130292	Common Parts Group	31	1	675550	Restrictor Washer
12	1	211380	Retainer/Stop – RH	32	2	672726	Cotter Pin
13	1	211379	Retainer/Stop – LH	33	2	206926	Clevis Pin
14	2	210489	■ Rod End Anchor	34	10	787375	Capscrew, M8 x 20
15	4	768303	■ Capscrew, M10 x 35	35	10	6125098	Washer, M8
16	2	209741	■ Rod End	36	20	211689	Capscrew, M12 x 30
17	4	210490	■ Retainer Half Ring	37	24	214487	Capscrew, M12 x 40
18	1	211456	Manifold	38	2	604511	◆ Fitting, 6-6
19	10	768208	Capscrew, M8 x 25	39	2	601676	◆ Fitting, 6-6
20	7	214053	O-Ring	40	1	6128392	Valve Guard
21	1	6115159	Valve Assembly ●	41	2	215226	Hanger
22	2	6125824	Strap	42	4	767615	Capscrew, M10 x 25
23	4	767614	Capscrew, M10 x 20	43	4	787383	Lockwasher, M10
24	1	675548	Sideshift Cylinder ▲	44	1	6125817	Upper Mounting Hook – LH
25	1	6130261	Anchor Bracket	45	1	6125818	Upper Mounting Hook – RH
26	2	6127049	Upper Bearing	46	6	751525	Capscrew, M16 x 65
27	4	684649	Capscrew, M10 x 25	47	2	7403	Grease Fitting
28	4	210140	Bearing Retainer	48	2	209542	Key
29	2	212585	Bearing Retainer	49	1	6129916	Spring Can Assembly
30	2	212586	Bearing Retainer	50	4	200788	Capscrew, M10 x 35

● See Valve Assembly page for parts breakdown.

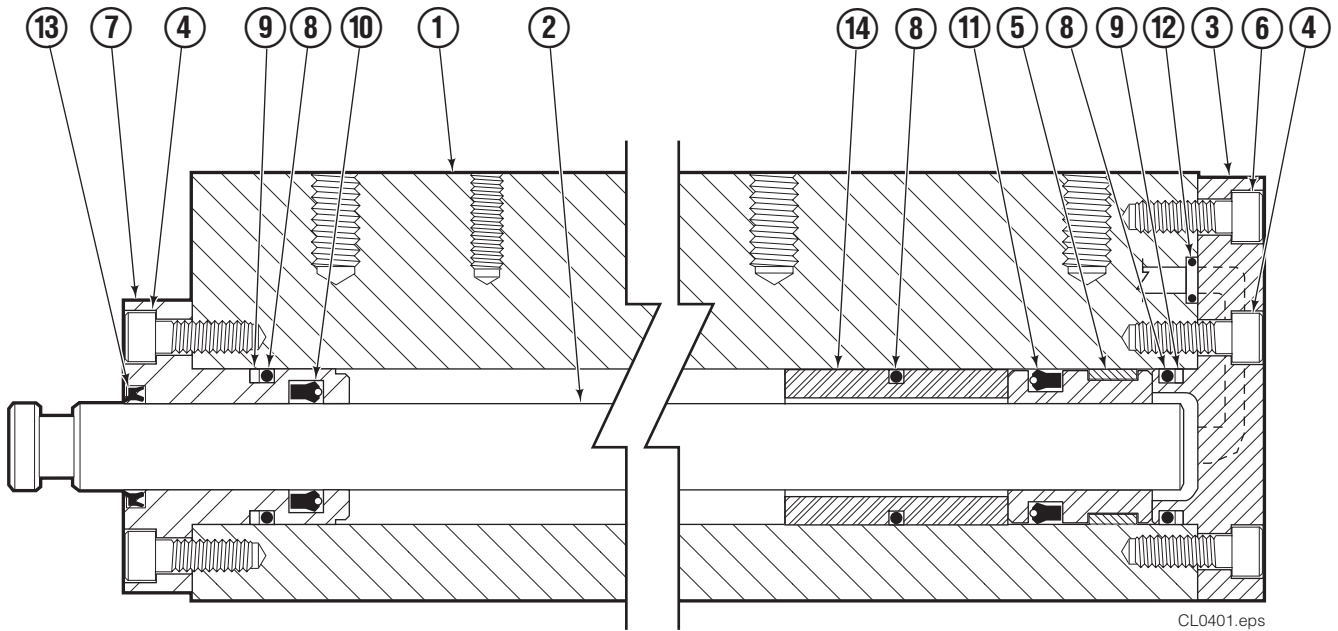
▲ See Sideshift Cylinder page for parts breakdown.

■ Included in Cylinder Rod Anchor Kit 213856.

◆ Included in Fitting Group 213099.

Reference: SK-12191.

Frame Cylinder



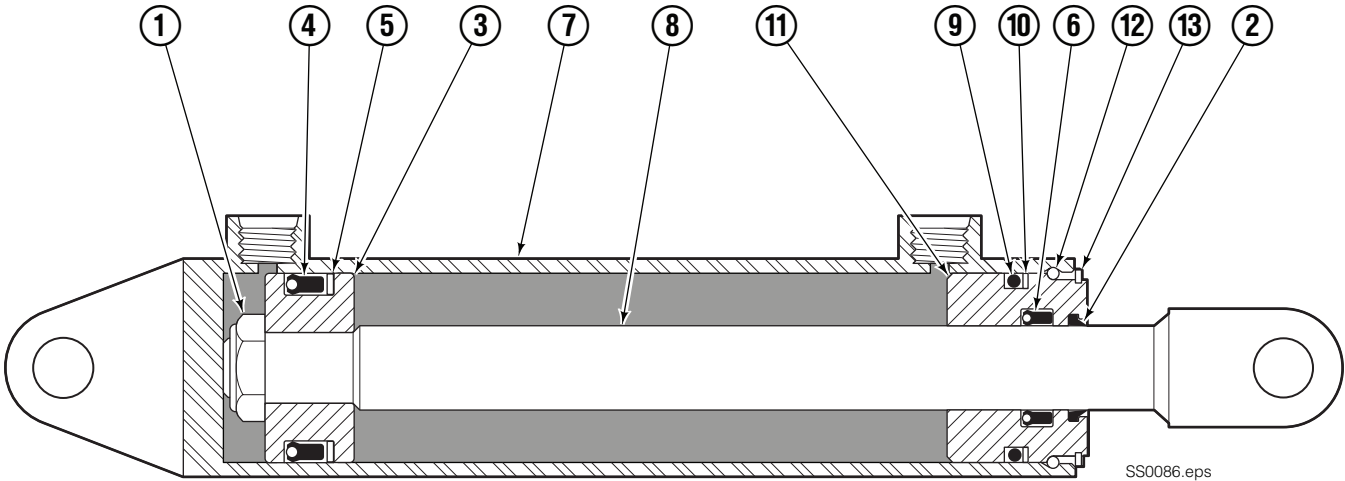
CL0401.eps

60F			
REF	QTY	PART NO.	DESCRIPTION
		214620	Cylinder Assembly
1	1	214621	Cylinder/Shell
2	1	4157-805	Rod
3	1	213783	End Cap
4	8	768208	Capscrew, M8 x 25
5	1	209809	◆ Bearing
6	1	787375	Capscrew, M8 x 20
7	1	212452	Retainer
8	3	643379	◆ O-Ring
9	2	210050	◆ Back-Up Ring
10	1	212477	◆ Seal
11	1	209808	◆ Seal
12	1	214053	◆ O-Ring
13	1	562131	◆ Wiper
14	1	—	Spacer
		210288	Service Kit

◆ Included in Service Kit 210288.

Reference: S-4643, S-4644.

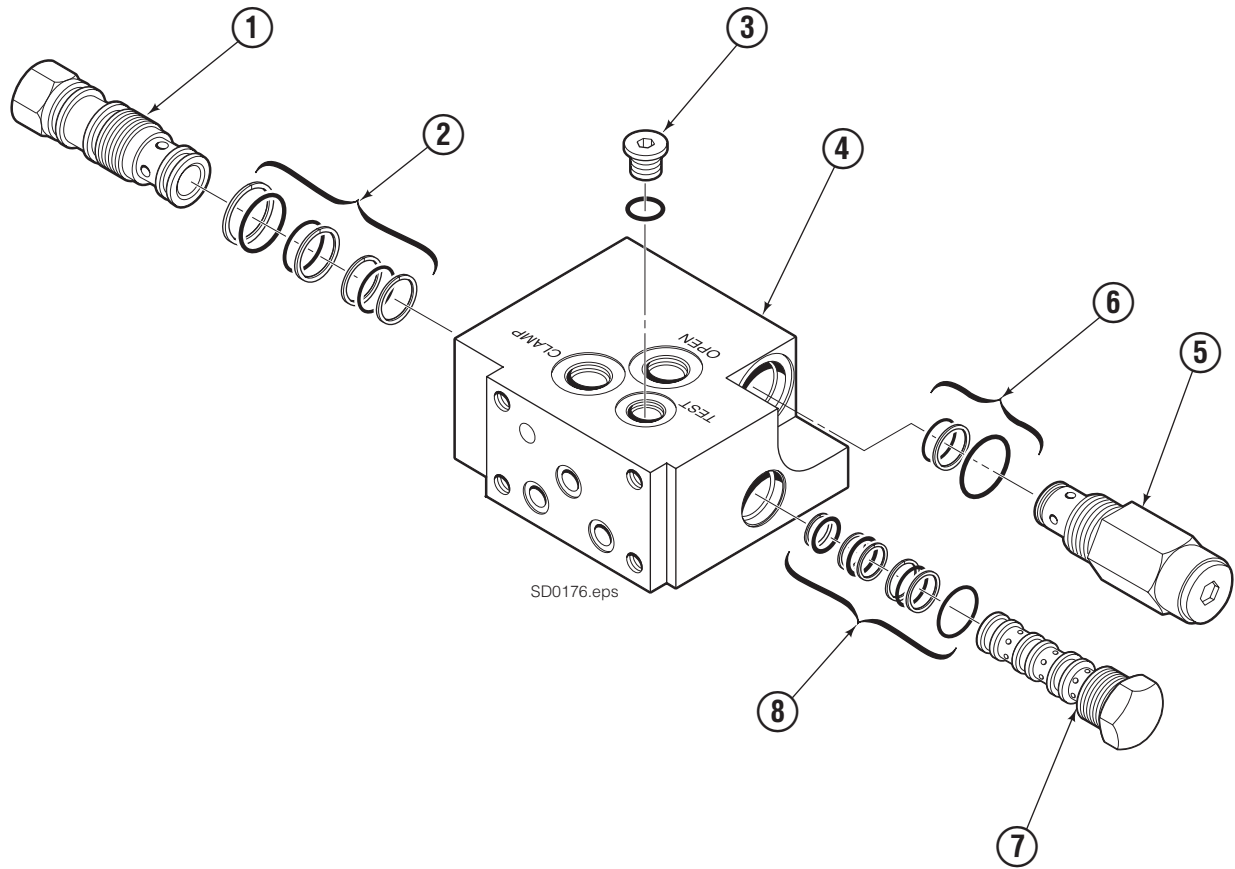
Sideshift Cylinder



REF	QTY	PART NO.	DESCRIPTION
		675548	Cylinder Assembly
1	1	553857	Nut
2	1	636851	■ Wiper
3	1	553501	Piston
4	1	662452	■ Seal
5	1	638247	■ Back-up Ring
6	1	641835	■ Seal
7	1	675549	Shell
8	1	553499	Rod
9	1	2785	■ O-Ring
10	1	615128	■ Back-up Ring
11	1	553500	Retainer
12	1	553856	Retaining Ring
13	1	7202	Retaining Ring
		553861	Service Kit

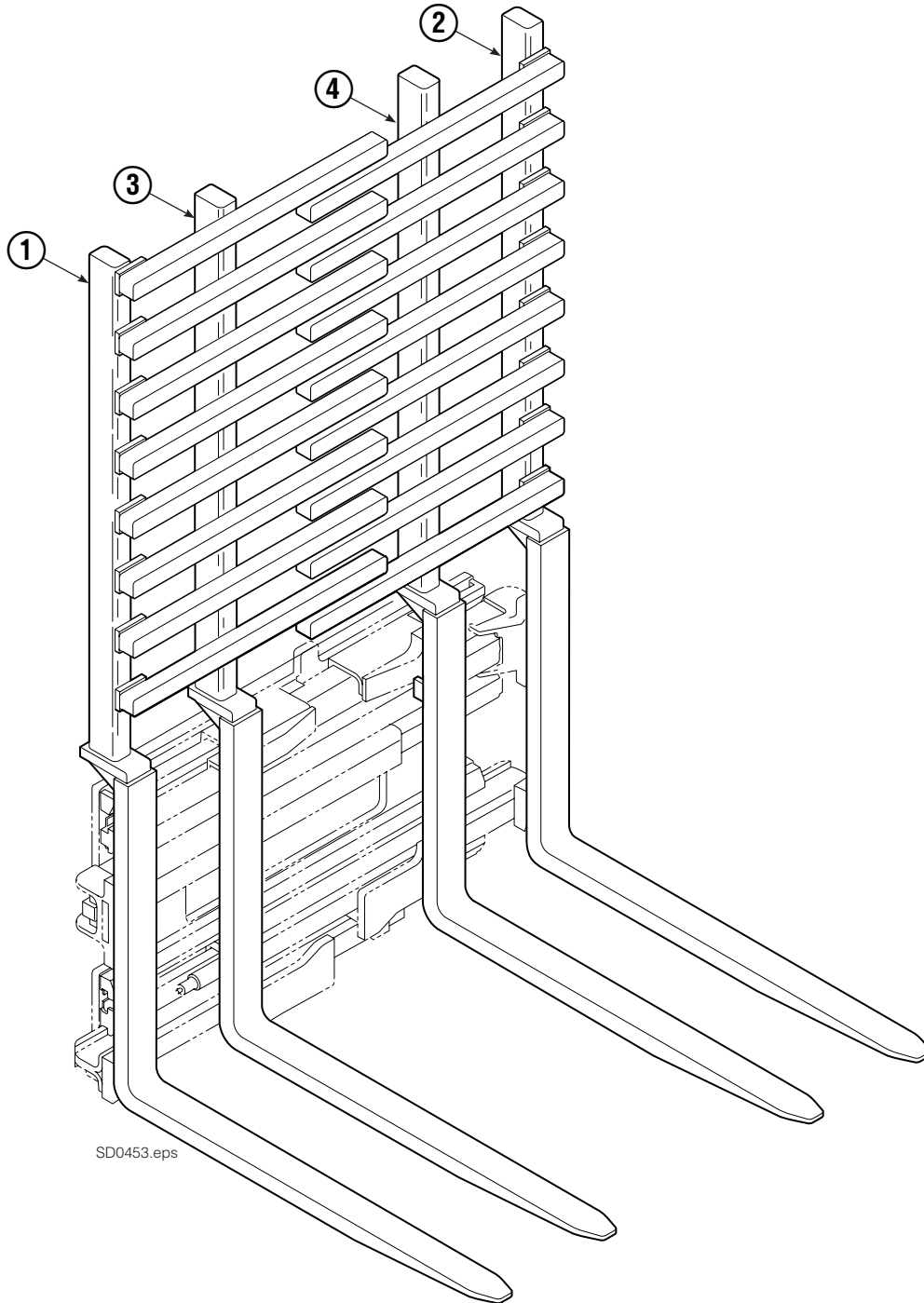
■ Included in Service Kit 553861.

Valve Assembly



REF	QTY	PART NO.	DESCRIPTION
		6115159	Valve Assembly
1	1	6121796	Check Valve
2	1	6137234	Service Kit
3	1	609234	Plug
4	1	6121775	Valve Body
5	1	6109571	Relief Valve
6	1	220151	Service Kit
7	1	6024293	Flow Divider Valve
8	1	6126153	Service Kit

Interlocking Backrest/Fork Group

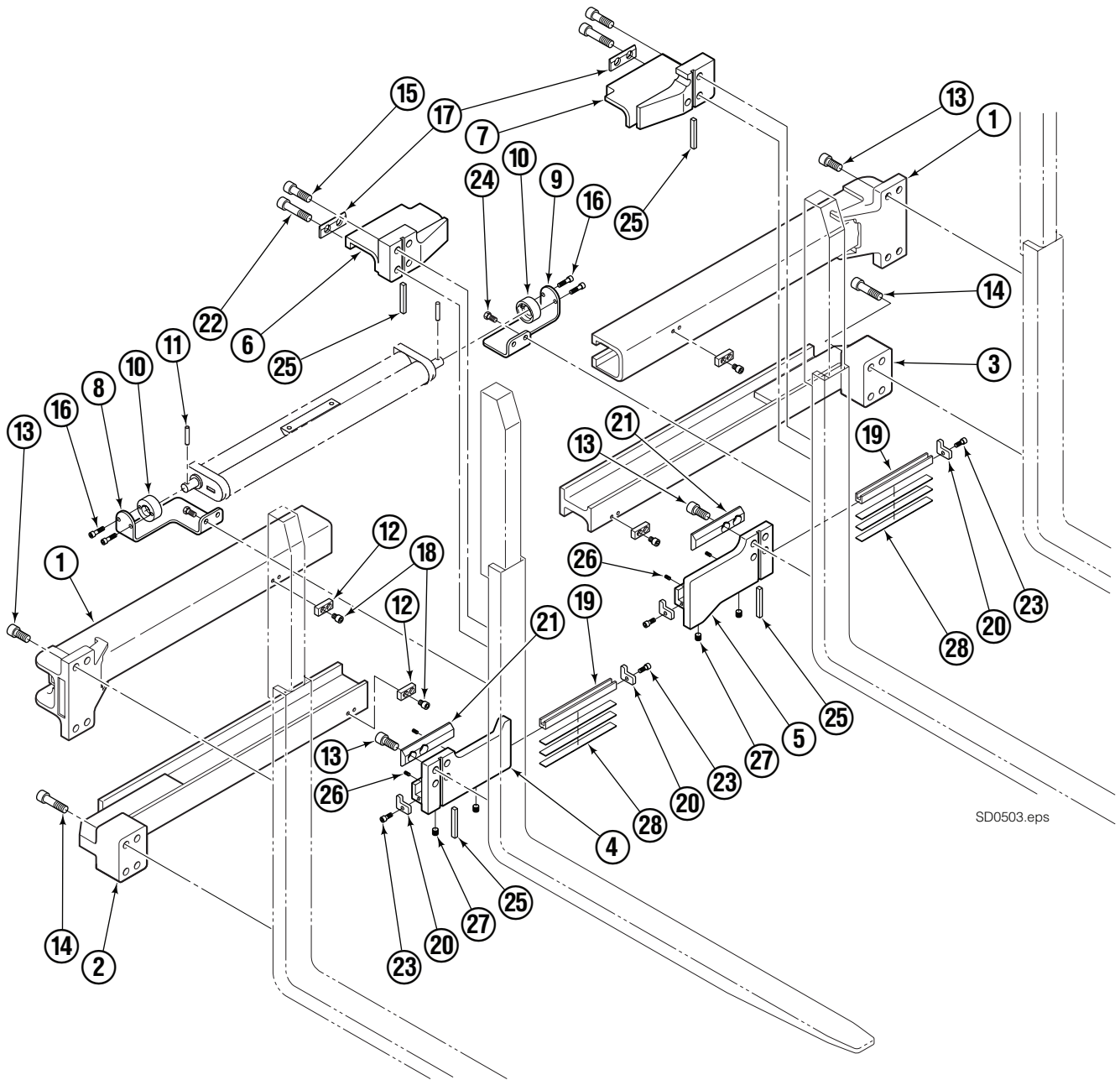


SD0453.eps

60F			
REF	QTY	PART NO.	DESCRIPTION
		6142451	Fork Group
1	1	6142453	Outer Fork - RH
2	1	6142452	Outer Fork - LH
3	1	6142455	Inner Fork - RH
4	1	6142454	Inner Fork - LH

Reference: S-28197, S-28498.

Arm Group



SD0503.eps

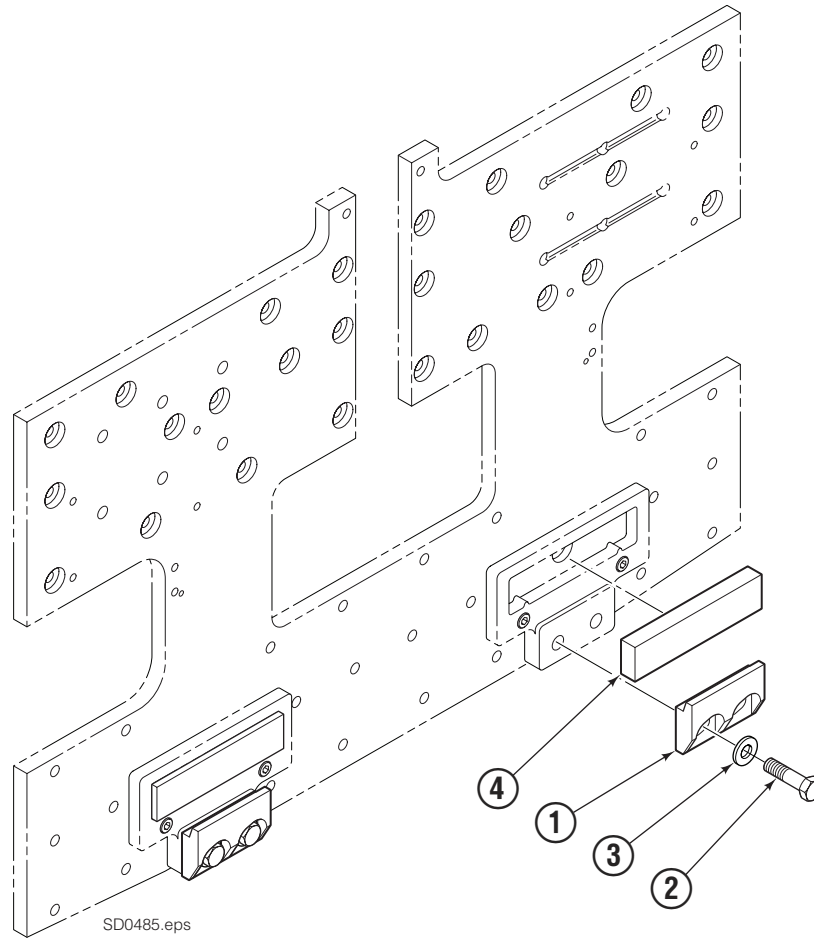
Arm Group

55F			
REF	QTY	PART NO.	DESCRIPTION
		6128683	Arm Group
1	2	6117233	Upper Arm Bar
2	1	6118833	Lower Arm Bar – RH
3	1	6118832	Lower Arm Bar – LH
4	1	6126979	Lower Hook – RH
5	1	6126978	Lower Hook – LH
6	1	6126977	Upper Hook – RH
7	1	6126976	Upper Hook – LH
8	1	6130008	Cylinder Bracket – RH
9	1	6130007	Cylinder Bracket – LH
10	2	6129471	Retainer
11	2	6110442	Pin, M6 x 32
12	4	212687	Fork Stop
13	16	769574	Capscrew, M16 x 35
14	8	769578	Capscrew, M16 x 60
15	4	769577	Capscrew, M16 x 50
16	4	768795	Capscrew, M8 x 30
17	2	6110402	Bearing Plate
18	8	214414	Capscrew, M10 x 12
19	2	4501-0222	Bearing Segment
20	4	6122007	Bearing Retainer
21	2	213899	Bearing
22	4	682073	Capscrew, M16 x 70
23	4	787375	Capscrew, M8 x 20
24	4	684594	Capscrew, M10 x 20
25	4	213364	Key
26	4	6126868	Setscrew, M6 x 12
27	4	781422	Setscrew, M12 x 12
28	◆	228395	Shim

◆ As required.

Reference: Common Parts 6130034, S-28474, S-28477, S-28343, S-28357, S-28358.

Mounting Group



SD0485.eps

Class III

REF	QTY	PART NO.	DESCRIPTION
		6128568	Mounting Group
1	2	675969	Lower Hook
2	4	751511	Capscrew, M16 x 55
3	4	667225	Washer
4	2	6110475	Lower Bearing

Recommended Spare Parts List

Single-Double Pallet Handler — 60F-FDS-111				
PART NUMBER	DESCRIPTION	ATTACHMENTS SERVICED		
		1-5	6-15	16-50
	BASE UNIT			
6127049	Upper Sideshift Bearing	2	4	8
6110475	Lower Sideshift Bearing	2	4	8
211689	Capscrew	4	8	8
213856	Cylinder Rod Kit	1	1	2
6125817	Upper Mounting Hook - LH	1	1	1
6125818	Upper Mounting Hook - RH	1	1	1
214053	Manifold Seals	7	7	7
	ARM GROUP			
4501-0222	Lower Inner Fork Bearings	2	4	8
769578	Capscrew – Outer Fork	4	4	8
769574	Capscrew – Outer Fork	4	4	8
769574	Capscrew – Inner Fork	4	4	8
769577	Capscrew – Inner Fork	4	4	8
	FRAME CYLINDER			
214620	Cylinder	0	1	2
214621	Cylinder/Shell	0	2	2
213783	End Cap	0	2	2
212452	Retainer	2	4	4
210288	Cylinder Service Kit	1	2	4
	SIDESHIFT CYLINDER			
675548	Cylinder	0	0	1
553499	Rod	0	1	2
553500	Retainer	0	1	2
553861	Cylinder Service Kit	1	1	2
	HYDRAULICS			
6115159	Valve Assembly	0	0	1
6121796	Check Valve	1	1	2
6109571	Crossover Relief Valve	1	1	1
220151	Crossover Relief Valve Service Kit	1	1	2
6024293	Flow Divider Cartridge	1	1	1
	MOUNTING GROUP			
675969	Lower Hook	2	4	6
	PAINT			
212988	12 oz. Aerosol Can - Gray	1	1	1
	PUBLICATIONS			
	Parts Manual	1	1	1
215793	Service Manual	1	1	1
6129013	Installation Instructions	1	1	1
213580	Operator's Guide	1	1	1
679929	Tool Catalog	1	1	1
673964	Literature Index Order Form	1	1	1

Do you have questions you need answered right now? Call your nearest Cascade Parts Department. Visit us online at www.cascorp.com

**Cascade Corporation
U.S. Headquarters**
2201 NE 201st
Fairview, OR 97024-9718
Tel: 800-CASCADE (227-2233)
FAX: 888-329-8207

Cascade Canada Inc.
5570 Timberlea Blvd.
Mississauga, Ontario
Canada L4W-4M6
Tel: 905-629-7777
FAX: 905-629-7785

Cascade GmbH
Niederwippekühl 1
58579 Schalksmühle
Germany
Tel: 02355-50900
FAX: 02355-509020

Cascade Finland
A. Petreliuksenkatu 3
01370 Vantaa
Finland
Tel: 09-8361925
FAX: 09-8361935

**Cascade N.V.
Benelux Sales and Service**
Damsluisweg 56
PO Box 3009
1300 El Almere
The Netherlands
Tel: 036-5492950
FAX: 036-5492974

Cascade Kenhar Ltd.
3 Kelbrook Road
Parkhouse Ind. Estate
Openshaw,
Manchester M11 2DD
England
Tel: 0800-243015
FAX: 0161-4384055

**Sales Scotland
Macade Systems Ltd.**
18 Melford Road
Righead Ind. Estate
Bellshill ML4 3LR
Scotland
Tel: 01698-845777
FAX: 01698-845888

Cascade (Africa) Pty. Ltd.
PO Box 625, Isando 1600
60A Steel Road
Sparton, Kempton Park
South Africa
Tel: 27-11-975-9240
FAX: 27-11-394-1147

Cascade Scandinavia AB
Hammarvägen 10
PO Box 124
S-56723 Vaggeryd
Sweden
Tel: 039-336950
FAX: 039-336959

**Cascade France
S.A.R.L. MHP**
1D Rue De Charaintru BP 18,
91360 Epinay-Sur-Orge
France
Tel: 01-6454-7500
FAX: 01-6454-7501

Cascade Hispania S.A.
Carrer 5, Sector C
Zona Franca Duanera
Poligono de la Zona Franca
08040 Barcelona, Spain
Tel: 93-264-07-30
FAX: 93-264-07-31

Cascade Italia S.R.L.
Via Dell'Artigianato 1
37050 Vago di Lavagno (VR)
Italy
Tel: 39-045-8989111
FAX: 39-045-8989160

Movimenta Lda.
Parque Industrial
Vale do Alecrim, Lote 108
2950-403 Palmela
Portugal
Tel: 351-212387340
FAX: 351-212387349

**Sales Switzerland
Fahrzeugbedarf**
8810, Horgen
Switzerland
Tel: 01-7279797
FAX: 01-7279798

Sales Poland
Targowa 35/61
03-728 Warszawa
Tel: 022-619 00 49
FAX: 022-619 00 49
Mobile Tel: 0501-27 29 55

Sales Russia
EMCG Material Handling
Equipment
Moscow
Tel: 095-795-2400
FAX: 095-795-2475
Email: emcg@emcg.ru

Cascade Japan Ltd.
5-5-41,
Torikai Kami
Settsu, Osaka
Japan, 566
Tel: 81-726-53-3490
FAX: 81-726-53-3497

Cascade Korea
121B 9L Namdong Ind.
Complex, 691-8 Gojan-Dong
Namdong-Ku
Inchon, 405-310 Korea
Tel: 82-32-821-2051
FAX: 82-32-821-2055

Cascade Australia
1445 Ipswich Road
Rocklea, QLD 4107
Australia
Tel: 1-800-227-223
FAX: 617-3373-7333

Cascade New Zealand
15 Ra Ora Drive
East Tamaki, Auckland
New Zealand
Tel: 64-9-273-9136
FAX: 64-9-273-9137

Cascade-Xiamen
No. 668 Yangguang Rd.
Xinyang Industrial Zone
Haicang, Xiamen City
Fujian Province
P.R. China 361026
Tel: 86-592-651-2500
FAX: 86-592-651-2571

**Sunstream Industries
Pte Ltd.**
No. 3 Tuas Link 1
2263
Singapore
Tel: 65-6863-3488
FAX: 65-6863-1368

**Cascade do Brasil
Distribuidora de Garras
e Garfos LTDA**
Rua João Guerra, 134
Macuco, Santos - SP
Brasil 11015-130
Tel: 55-13-2105-8800
Fax: 55-13-2105-8899

