



# Technical Bulletin

## How to Identify Split-Arm Paper Roll Clamp Circuit Functions

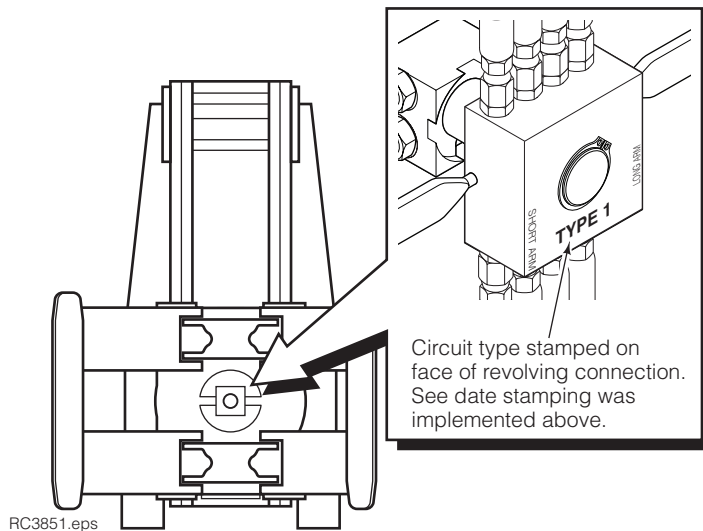
This sheet describes identifying Cascade Split-Arm Paper Roll Clamp circuit functions. There are two types of split-arm clamp circuit operation:

- **Type O** – Clamp force is developed without the need for the top arm to fully close.
- **Type 1** – The top arm must fully close before clamp pressure is developed.

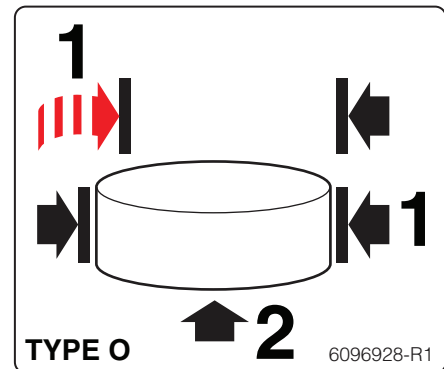
**NOTE:** Split-arm roll clamps equipped with one of the decals shown is another form of identification.

Roll Clamp	Split-Arm Circuit Type	Type Stamp Implemented
38F	Type O	March 2011
45F - 150F	Type O <b>OR</b> Type 1	March 2011
60G - 72G	Type O <b>OR</b> Type 1	March 2011
18H - 33H	Type O <b>OR</b> Type 1	March 2011

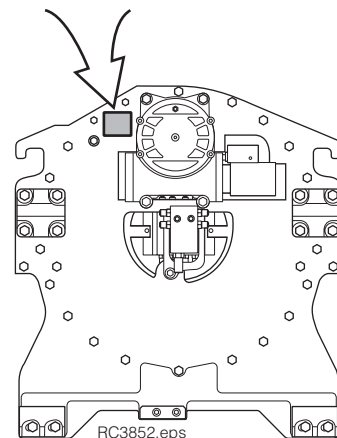
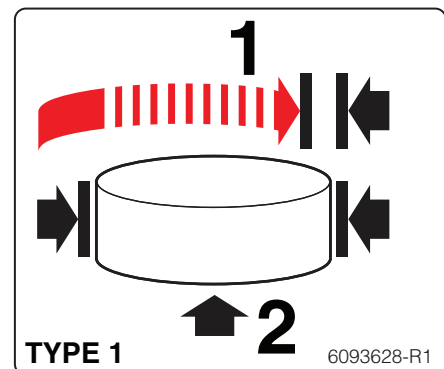
### Type Identification on Revolving Connection:



### Type Identification Decal on Baseplate:



OR



**NOTE:** This information should not be interpreted as the basis for warranty claims unless so designated.



#### For Technical Support . . .

Call: 1-800-CASCADE (227-2233)

**OR**

Write: Cascade Corporation, PO Box 20187, Portland, OR 97294-0187

#### To Order Parts . . .

Call: 1-888-CASCADE (227-2233)

**OR**

Write: Cascade Corporation, 2501 Sheridan Ave., Springfield, OH 45505