



Parts Manual

Model Carton Clamp

Serial Number 33E-CC-108

cascade[®]

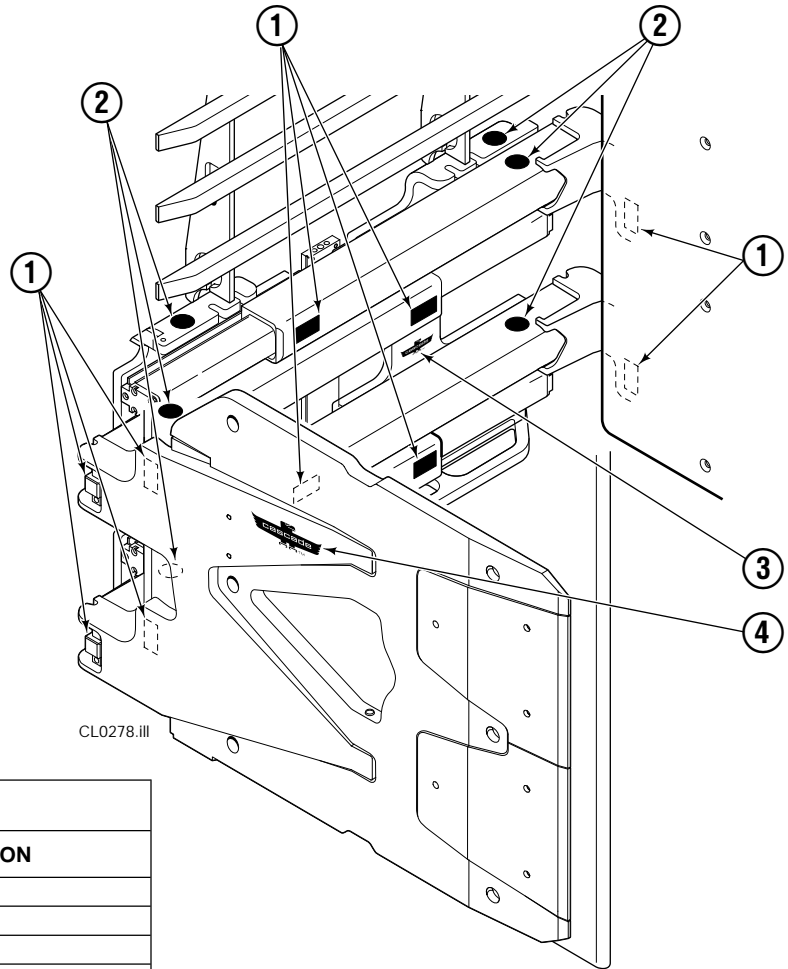
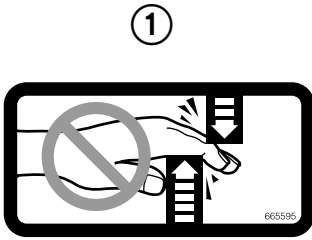
For Technical Assistance call: 800-227-2233, Fax: 888-329-8207

To Order Parts call: 888-227-2233, Fax: 888-329-0234

OR

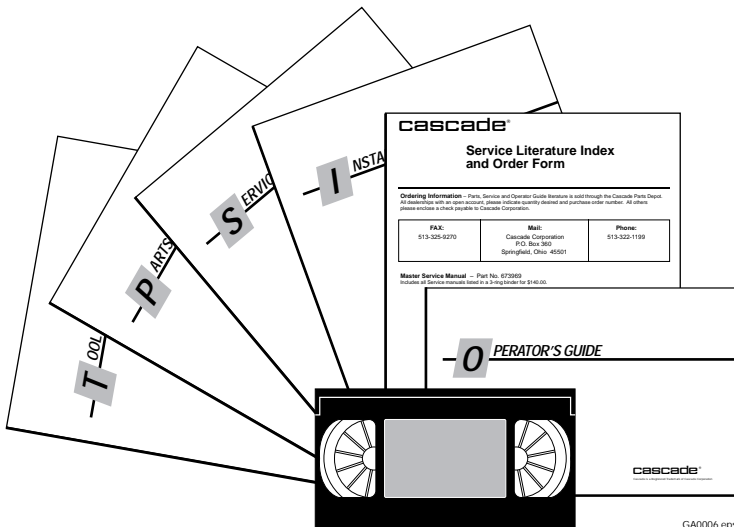
Write: Cascade Corporation, P.O. Box 20187, Portland, OR 97220

Decals



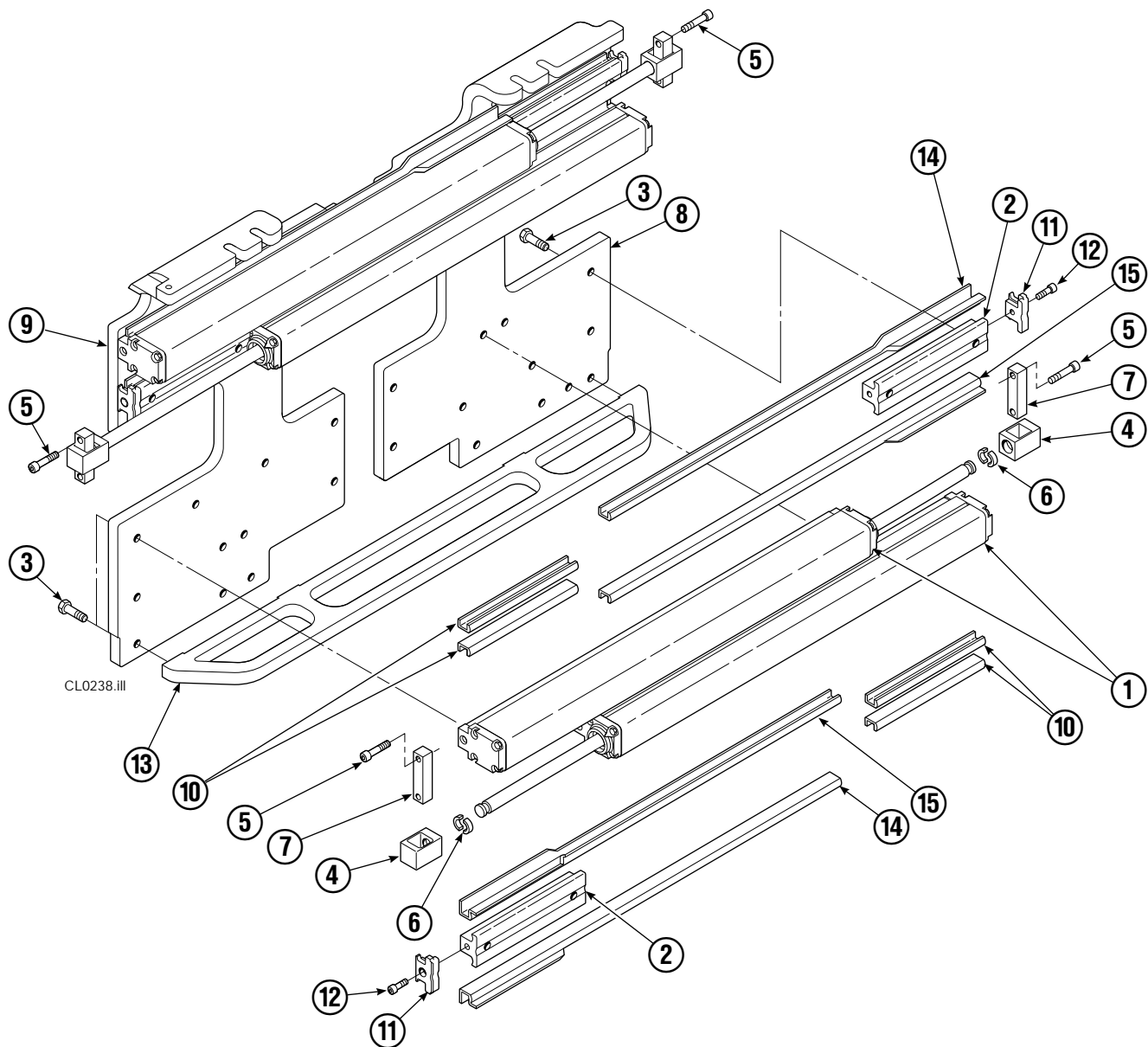
33E			
REF	QTY	PART NO.	DESCRIPTION
1	12	665595	No Hand Hold Decal
2	6	679150	No Step Decal
3	1	211274	80 mm Eagle
4	2	211275	160 mm Eagle

Publications



33E	
PART NO.	DESCRIPTION
214270	Parts Manual
210273	Operator's Guide
212116	Installation Instructions
679929	Tool Catalog
673964	Literature Index Order Form

Base Unit Group



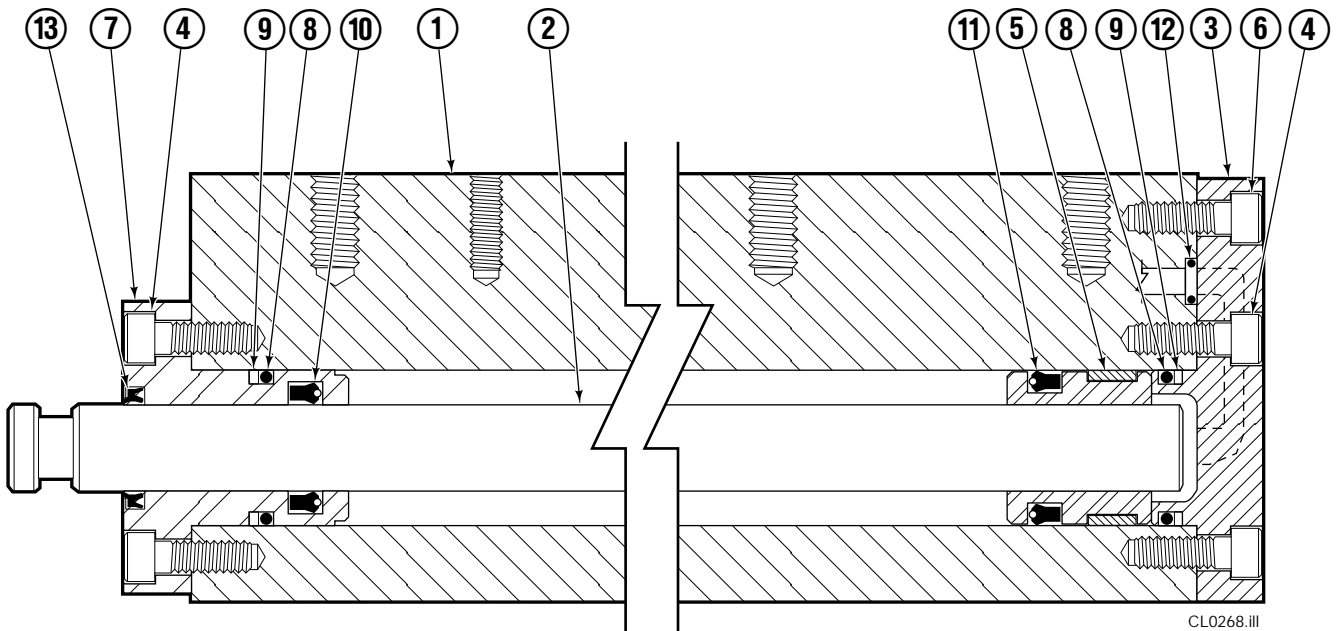
33E							
REF	QTY	PART NO.	DESCRIPTION	REF	QTY	PART NO.	DESCRIPTION
		398038	Base Unit Group	8	1	398049	Baseplate - LH
1	4	398045	Cylinder ▲	9	1	398050	Baseplate - RH
2	4	398051	T-Bar	10	8	4637-266	Bearing Spacer
3	36	211689	Capscrew, M12 x 30 GR 10.9	11	4	210140	Bearing Retainer
4	4	209741	Rod End ●	12	4	787375	Capscrew, M8 x 20
5	8	768303	Capscrew, M10 x 35 ●	13	1	398052	Bumper
6	8	210490	Retainer Half Ring ●	14	4	209120	Bearing
7	4	210489	Rod End Anchor ●	15	4	209119	Bearing

▲ See Cylinder page for parts breakdown.

● Included in Cylinder Rod Anchor Kit 213856.

Reference: SK-6089.

Cylinder

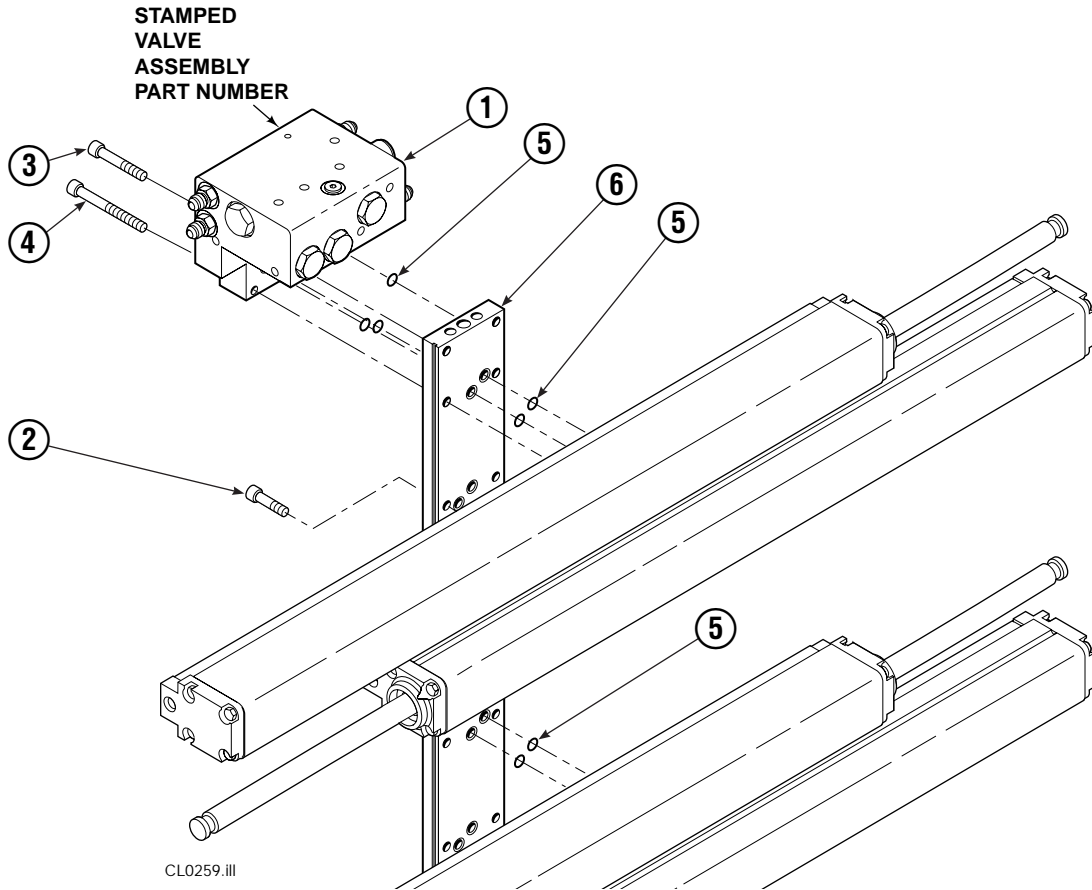


33E							
REF	QTY	PART NO.	DESCRIPTION	REF	QTY	PART NO.	DESCRIPTION
		398045	Cylinder Assembly	8	2	210053	O-Ring ▲
1	1	398046	Cylinder/Shell	9	2	210050	Back-Up Ring ▲
2	1	4157-852	Rod	10	1	212477	Seal ▲
3	1	213783	Cap	11	1	209808	Seal ▲
4	8	768208	Capscrew, M8 x 25	12	2	214053	O-Ring ▲
5	1	209809	Bearing ▲	13	1	562131	Wiper ▲
6	1	787375	Capscrew, M8 x 20			210090	Service Kit
7	1	212452	Retainer				

▲ Included in Service Kit 210090.

Reference: S-4644, S-4643.

Hydraulic Group



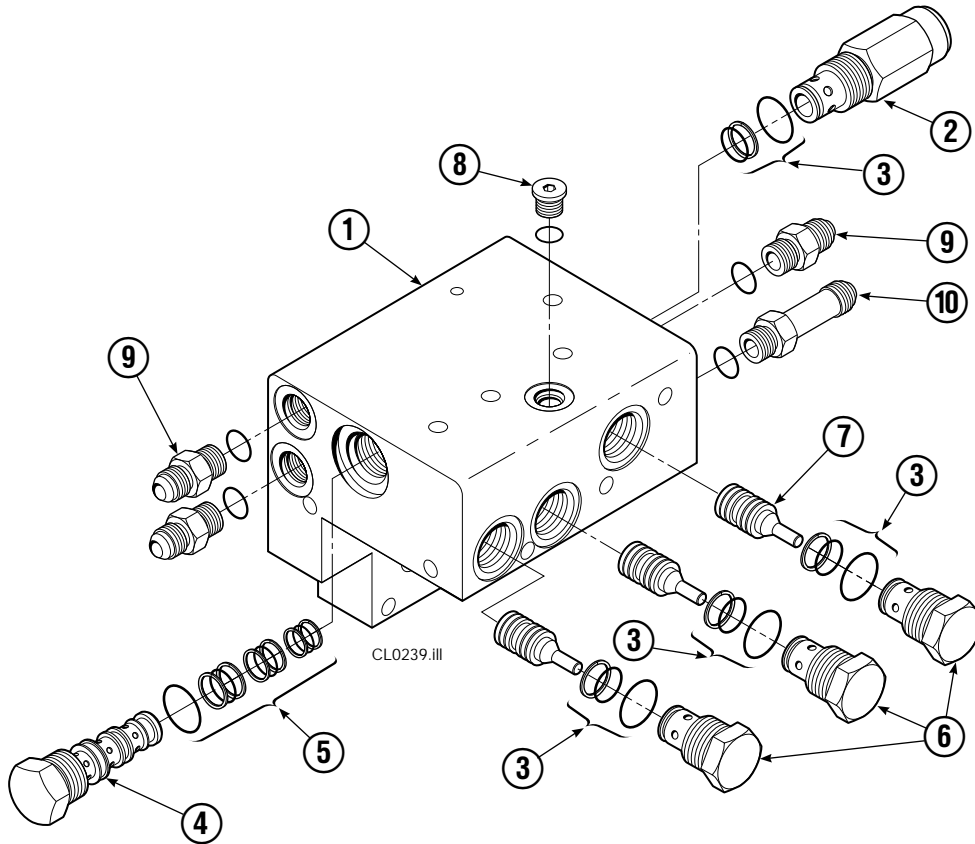
33E			
REF	QTY	PART NO.	DESCRIPTION
		210456	Hydraulic Group
		212983	Manifold Group
1	1	212941	Valve Assembly ▲
2	6	768208	Capscrew, M8 x 25
3	2	768797	Capscrew, M8 x 40
4	2	768800	Capscrew, M8 x 60
5	11	214053	O-Ring, 90 Durometer
6	1	212974	Manifold

▲ See Valve page for parts breakdown,
part number stamped on valve.

Reference: SK-6090.

Valve

Sideshifting Without Regeneration

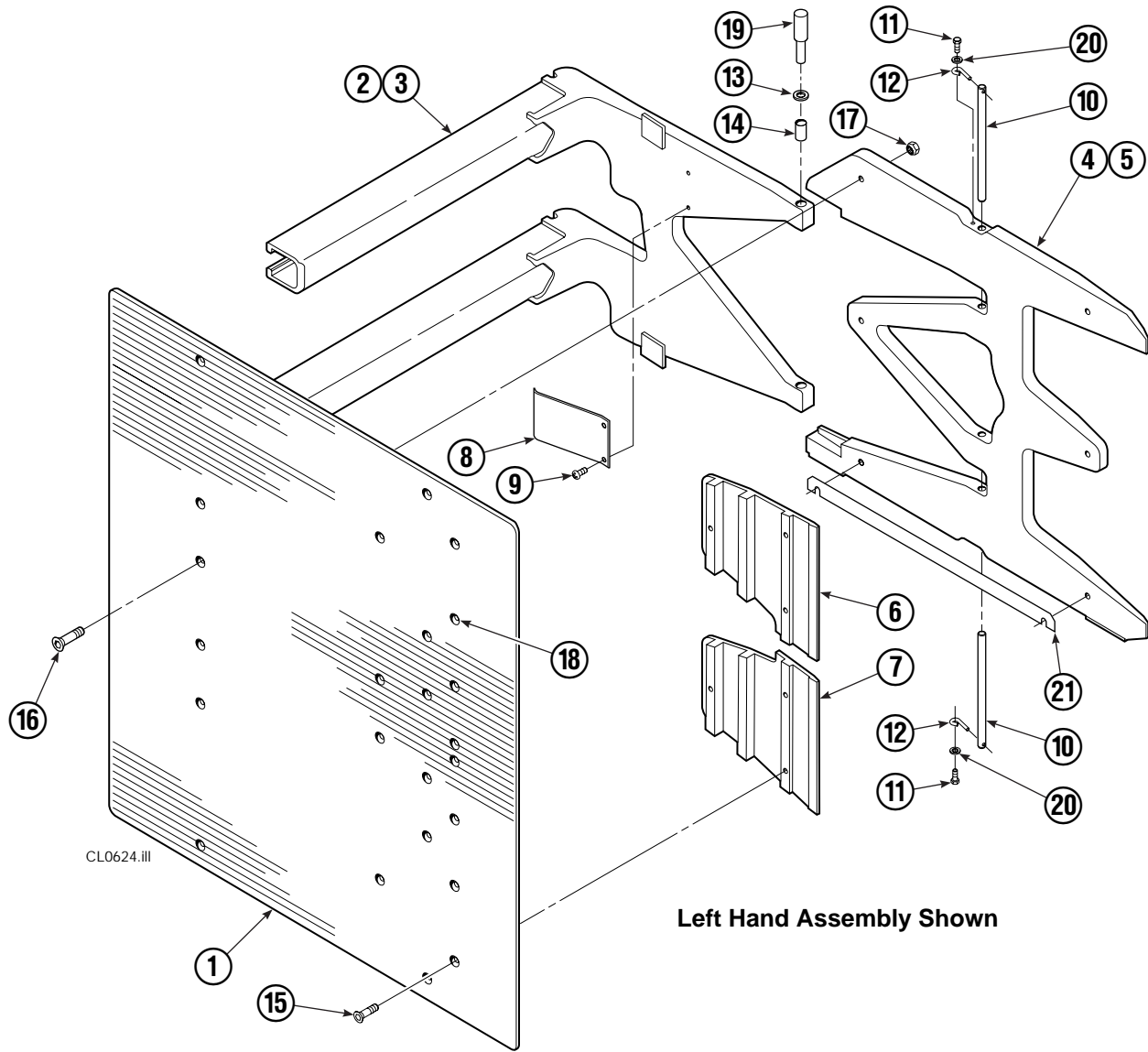


33E			
REF	QTY	PART NO.	DESCRIPTION
		212941	Valve Assembly
1	1	212940	Valve Body
2	1	214405	Crossover Relief Valve
3	4	682170	Seal Kit ▲
4	1	210266	Flow Divider/Combiner
5	1	679992	Seal Kit ▲
6	3	209847	Check Valve
7	3	210265	Piston
8	1	609234	Fitting, 4
9	3	604511	Fitting, 6-6 ●
10	1	605743	Fitting, 6-6 ●
		210452	Valve Service Kit

▲ Included in Valve Service Kit 210452.

● Included in Fitting Group 212978.

Arms and Pads



CL0624.ill

Left Hand Assembly Shown

33E			
REF	QTY	PART NO.	DESCRIPTION
1	2	210470	Contact Pad
2	1	217413	Arm - LH
3	1	217414	Arm - RH
4	1	210403	Stabilizer - LH
5	1	210406	Stabilizer - RH
6	2	210180	Filler Block - LH Upper/RH Lower
7	2	210179	Filler Block - LH Lower/RH Upper

Common Parts

REF	QTY	PART NO.	DESCRIPTION	REF	QTY	PART NO.	DESCRIPTION
8	2	210154	Spring	15	12	766646	Capscrew, M10 x 20
9	4	203405	Capscrew, M10 x 16	16	12	768706	Capscrew, M12 x 35
10	4	210161	Pin	17	12	683170	Nut, M12
11	4	787372	Capscrew, M8 x 20	18	▲	673841	Contact Pad Repair Kit
12	4	682999	Eye Pin	19	1	675626	Bushing Driver Tool
13	10	675620	Washer, M10	20	4	787398	Washer, M8
14	8	200590	Bushing	21	4	217491	Shim Kit

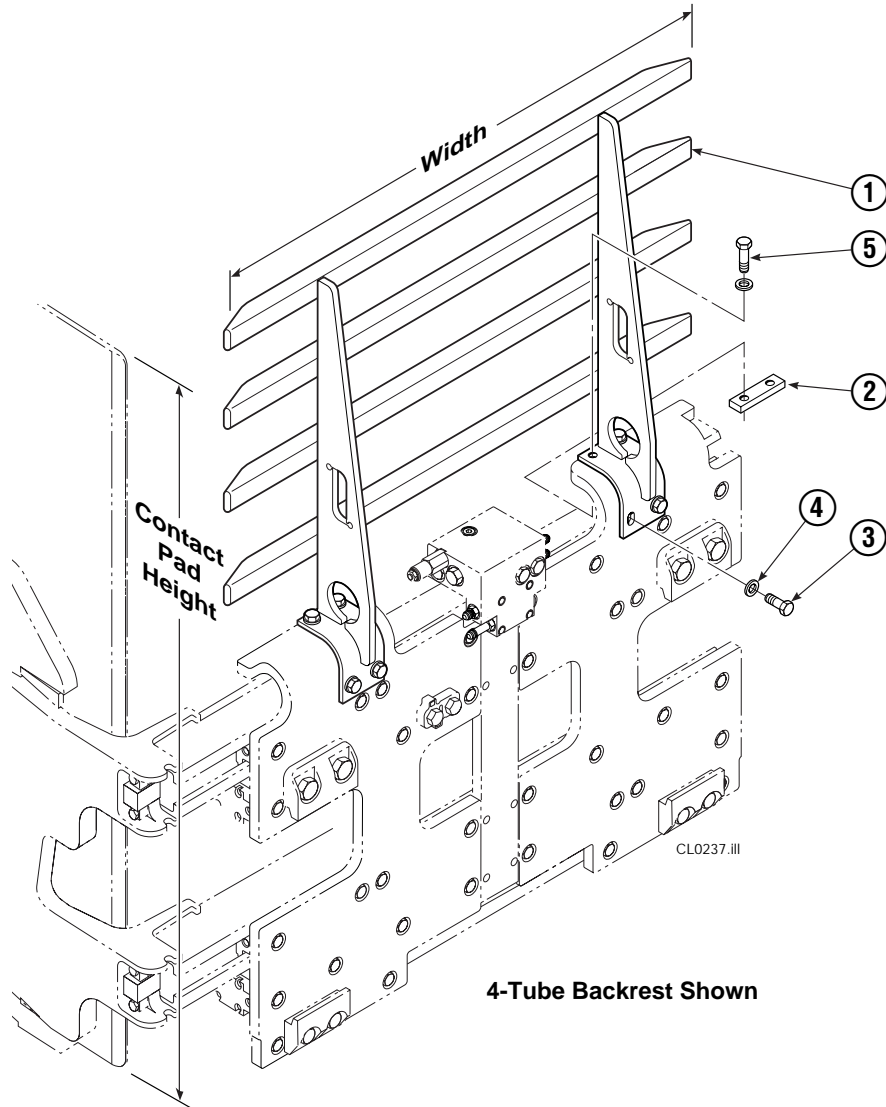
S-4246, S-4217; Common Parts: 210495.

▲ Repairs one hole.

cascade®

For Technical Assistance and to Order Parts call:
1-800-CAS-CADE (227-2233) or 503-669-6300, FAX: 503-669-6338

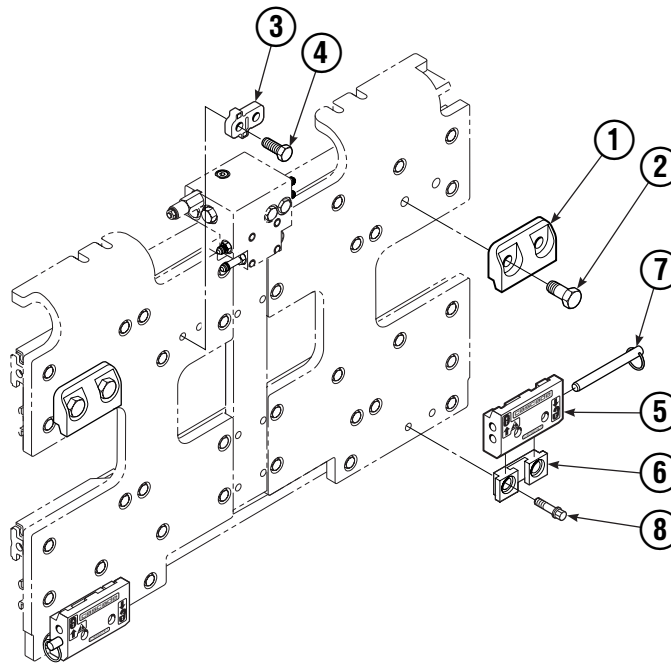
Backrest Group



33E				
REF	QTY	CONTACT PAD HEIGHT		DESCRIPTION
		47 in. (1200 mm) – 3 -Tube		
1	1	398040		Backrest ▲ – 40 in. (1016 mm) width
2	2	210155		Plate
3	4	211689		Capscrew, M12 x 30
4	8	202251		Washer, M12
5	4	206174		Capscrew, M12 x 45

▲ Backrest without Solenoid Adaption mounting.
Reference: 211448 (items 2 thru 5), S-4198, S-4265.

Quick-Change Mounting Group



CL0235.III

33E			
REF	QTY	ITA II	DESCRIPTION
		PART NO.	
		211162	Upper Mounting Group ▲
		211174	Lower Mounting Group ●
1	2	210491	Upper Hook
2	4	768577	Capscrew, M20 x 35
3	1	212999	Center Key
4	2	211129	Capscrew, M16 x 35
5	2	675514	Lower Hook
6	2	675515	Guide
7	2	678832	Pin
8	4	211180	Capscrew, M16 x 30

▲ Includes items 1-4.

● Includes items 5-8.

Reference: SK-6089.

Recommended Spare Parts List

33E Carton Clamp				
PART NO.	DESCRIPTION	ATTACHMENTS SERVICED		
		1-5	6-15	16-50
BASE UNIT GROUP				
209120	Bearing	2	4	8
209119	Bearing	2	4	6
4637-266	Bearing Spacer	2	4	6
211689	Capscrew	4	8	8
213856	Cylinder Rod Anchor Kit	1	1	2
CYLINDER				
398045	Cylinder	0	1	2
398046	Cylinder Shell	0	2	2
213783	End Cap	0	2	2
212452	Retainer	2	4	4
210090	Cylinder Service Kit	1	1	2
HYDRAULIC GROUP				
210456	Valve Assembly	0	0	1
212974	Manifold	0	0	1
214053	O-Ring, 90 Durometer	11	22	33
VALVES				
212941	Valve Assembly	0	0	1
210452	Valve Service Kit	1	2	2
209847	Check Valve	1	1	2
682170	Check Valve Service Kit	1	2	2
214405	Crossover Relief Valve	1	1	1
682170	Crossover Relief Valve Service Kit	1	2	2
210266	Flow Divider Cartridge	1	1	1
679992	Flow Divider Service Kit	1	2	2
ARM GROUP				
210161	Pin	2	4	6
682999	Eye Pin	2	4	6
675620	Washer	4	8	12
200590	Bushing	8	16	32
UPPER MOUNTING GROUP				
210491	Upper Hook	2	4	6
768577	Capscrew	2	2	3
212999	Center Key	1	2	3
768577	Capscrew	2	4	6
LOWER MOUNTING GROUP – BOLT-ON				
675968	Lower Hook	2	2	4
211128	Capscrew	2	4	8
LOWER MOUNTING GROUP – QUICK-CHANGE				
675514	Lower Hook	2	4	8
675515	Guide	2	4	8
678832	Pin	2	4	8
211180	Capscrew	2	8	16
PAINT				
212988	12 oz. Aerosol Can, Gray	1	1	1
PUBLICATIONS				
215204	Service Manual	1	1	1
210273	Operator's Guide	1	1	1
212116	Installation Instructions	1	1	1
679929	Tool Catalog	1	1	1
673964	Literature Index Order Form	1	1	1

Do you have questions you need answered right now? Call your nearest Cascade Parts Department.

Cascade Corporation
2201 NE 201st
Fairview, OR 97024-9718
Tel: 1-800-CAS-CADE
503-669-6300
FAX: 503-669-6338

Cascade Canada Inc.
5570 Timberlea Blvd.
Mississauga, Ontario
Canada L4W-4M6
Tel: 905-629-7777
FAX: 905-629-7785

Cascade GmbH
D-41199 Monchengladbach
Klosterhofweg 52
Germany
Tel: 21-66-602091
FAX: 21-66-680947

Cascade Finland
01370 Vantas
Finland
Tel: 358-0-836-1925
FAX: 358-0-836-1935

**Cascade N.V.
European Headquarters**
P.O. Box 3009
1300 El Almere
Damsluisweg 56
1332 ED Almere
The Netherlands
Tel: 31-36-5492911
FAX: 31-36-5492964

**Cascade N.V.
Benelux Sales and Service**
P.O. Box 3009
1300 El Almere
Damsluisweg 56
1332 ED Almere
The Netherlands
Tel: 31-36-5492950
FAX: 31-36-5492974

Cascade (UK) Ltd.
15, Orgreave Crescent
Dore House Industrial Estate
Handsworth
Sheffield S13 9NQ
England
Tel: 742-697524
FAX: 742-695121

**Cascade Scandinavia
Hydraulik A.B.**
Muskötgatan 19, E8-9
S25466 Helsingborg
Sweden
Tel: 42-151135
FAX: 42-152997

Cascade Norway
Østerliveien 37A
1153 Oslo
Norway
Tel: 47-22-743160
FAX: 47-22-743157

Cascade France S.A.R.L.
11, Rue Jean Charcot
Zone Industrielle Sud or
B.P. 22
91421 Morangis Cedex
France
Tel: 1- 64547501
FAX: 1-9790584

Cascade Hispania S.A.
Avenida De La Fabregada, 7
Hospitalet De Llobregat
Barcelona
Spain
Tel: 3-335-5158
FAX: 3-335-4756

Cascade Japan Ltd.
5-5-41,
Torikai Kami
Settsu, Osaka
Japan, 566
Tel: 81-726-53-3490
FAX: 81-726-53-3497

Cascade Korea
Room 508, Pum Yang Bldg.
750-14, Bang Bac-Dong
Se-Cho Ku, Seoul
Korea
Tel: 2599-7131 ext. 512
FAX: 2533-8089

HYCO-Cascade Pty. Ltd.
87 Antimony Street
Carole Park,
Brisbane 4300
Australia
Tel: 7-271-1966
FAX: 7-271-3830

HYCO-Cascade (NZ) Ltd.
15 Ra Ora Drive, East Tamaki
P.O. Box 38-440
Howick, Auckland
New Zealand
Tel: 9-273-9136
FAX: 9-273-9137

Cascade (Africa) Pty. Ltd.
P.O. Box 625, Isando 1600
60A Steel Road
Sparton, Kempton Park
South Africa
Tel: 975-9240
FAX: 394-1147

Cascade-Xiamen
Wanshan No. 1 Workshop
Huli Road
Xiamen 361006
Fujian, PRC
Tel: 592-562-4600
FAX: 592-562-4671

**Cascade (Singapore)
Trading Co.**
Four Seasons Park
Autumn Block - Apt. 1802
12 Cascaden Walk
Singapore
Tel: 65-834-1935
FAX: 65-834-1936

