



# Parts Manual

---

Model \_\_\_\_\_ **Paper Roll Clamp**

Serial Number \_\_\_\_\_ **66G-RCP-B005R1**

---

**cascade**<sup>®</sup>  
**corporation**

**For Technical Assistance call:** 800-227-2233, Fax: 888-329-8207

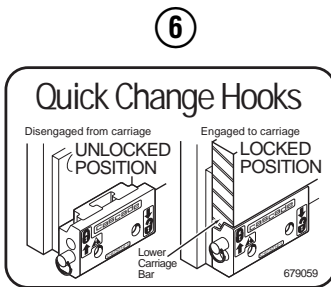
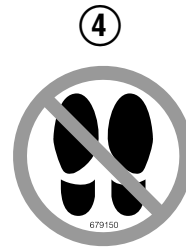
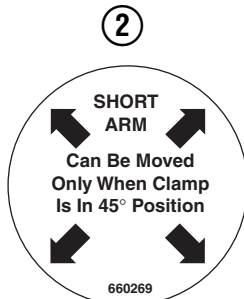
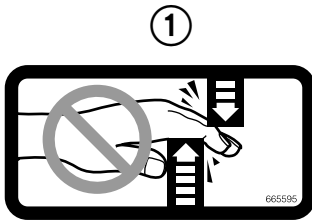
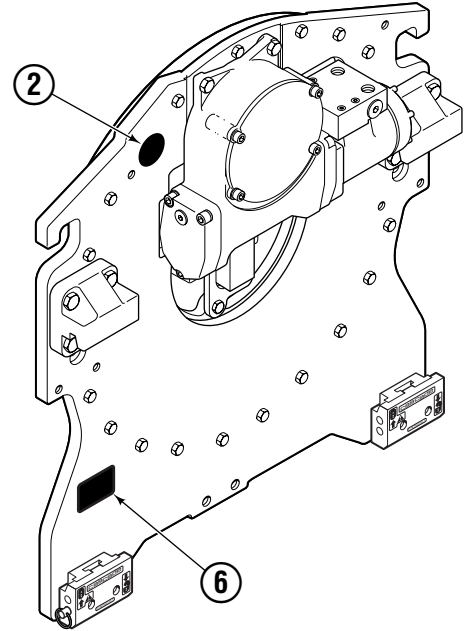
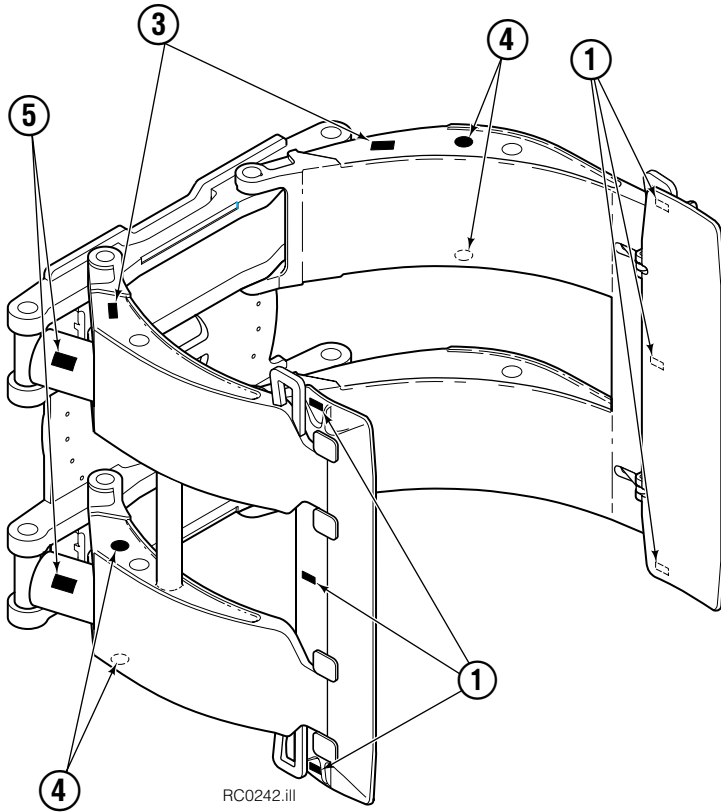
**To Order Parts call:** 888-227-2233, Fax: 888-329-0234

**OR**

**Write:** Cascade Corporation, P.O. Box 20187, Portland, OR 97220

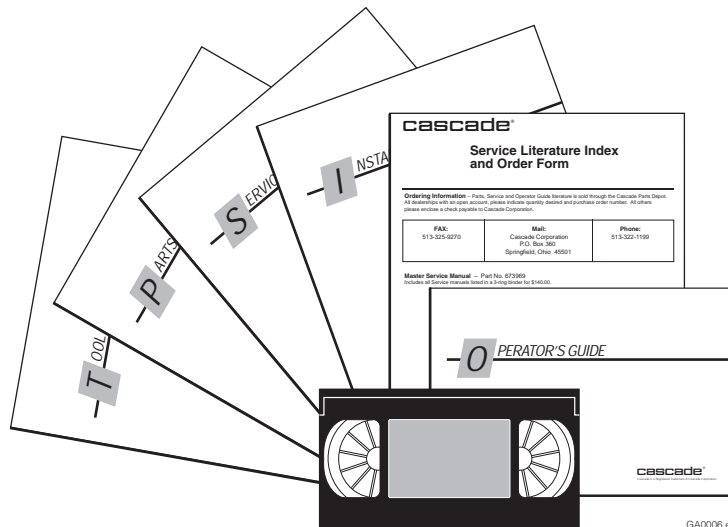
**Internet:** [www.cascorp.com](http://www.cascorp.com)

# Decals



66G			
REF	QTY	PART NO.	DESCRIPTION
1	4	665595	No Hand Hold Decal
2	2	660269	Short Arm Rotation Position Decal
3	6	656038	Caution Decal
4	4	679150	No Step Decal
5	4	665677	Trapped Pressure Decal
6	1	679059	Quick-Change Hook Decal
7	1	671167	Oil Fill Tag (not shown)
		212926	Decal Kit, (items 1-7)

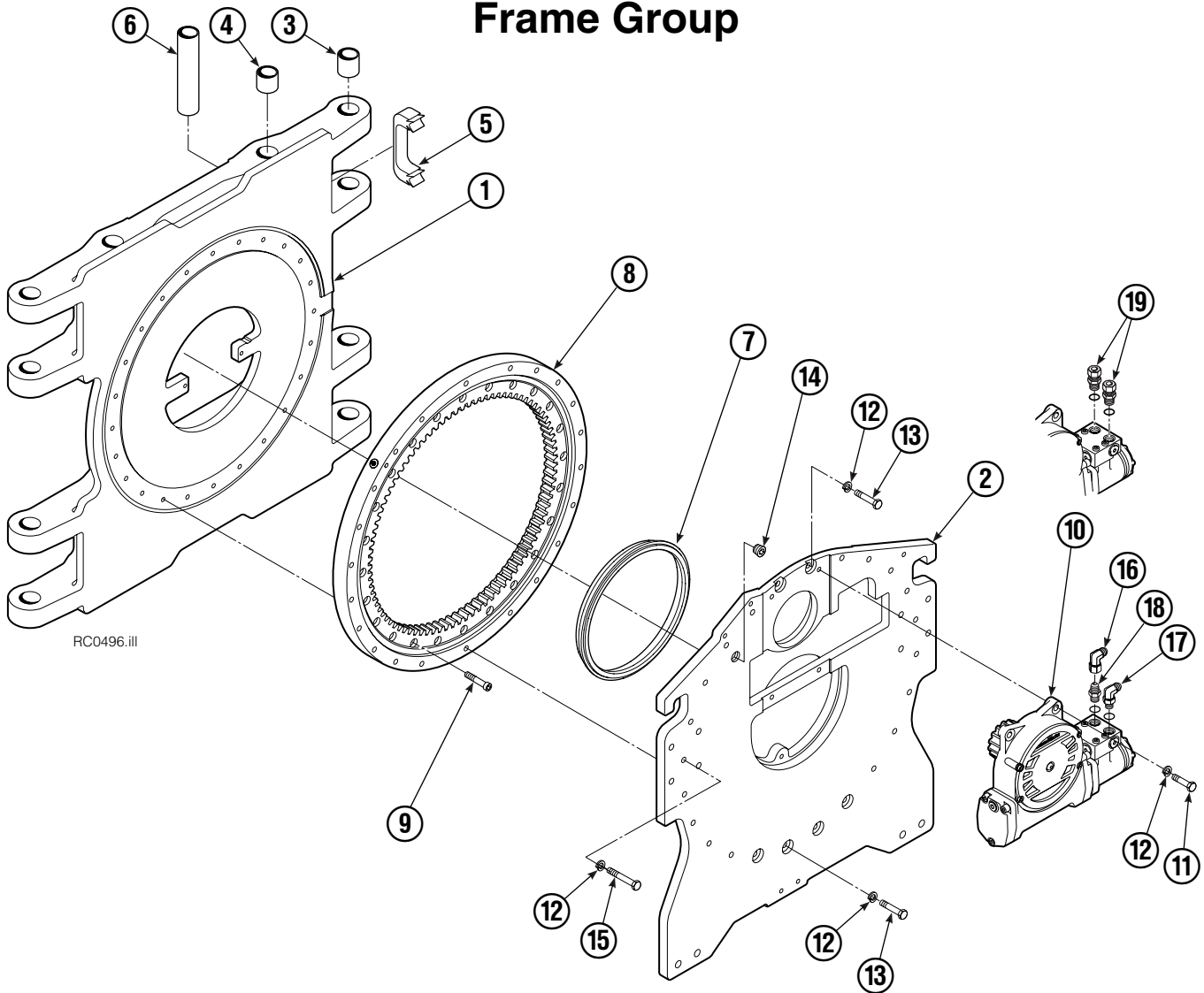
# Publications



GA0006.eps

66G	
PART NO.	DESCRIPTION
	Parts Manual
213744	Service Manual
210135	Operator's Guide
212420	Installation Instructions - Fixed Frame
677555	Driver Training Video - VHS
679929	Tool Catalog
673964	Literature Index Order Form

# Frame Group



RC0496.iii

66G							
REF	QTY	PART NO.	DESCRIPTION	REF	QTY	PART NO.	DESCRIPTION
		213817	Frame Group w/o Stop – 51 in. ▲	10	1	212308	Drive Group – 2.2 c.i. Motor ●
		213823	Frame Group w/o Stop – 55 in. ▲		1	795491	Drive Group – 2.8 c.i. Motor ●
		213829	Frame Group w/o Stop – 60 in. ▲	11	4	211689	Capscrew, M12 x 30
		213835	Frame Group w/o Stop – 63 in. ▲	12	28	683822	Lockwasher, M12
		<b>213841</b>	Frame Group w/o Stop – 72 in. ▲	13	6	209684	Capscrew, M12 x 50
1	1	213818	Frame w/o Stop – 51 in. ▲	14	1	6605	Fitting, 3/4 in.
	1	213824	Frame w/o Stop – 55 in. ▲	15	18	213900	Capscrew, M12 x 60
	1	213830	Frame w/o Stop – 60 in. ▲	16	1	605761	Fitting, 8-8 SAE
	1	213836	Frame w/o Stop – 63 in. ▲	17	1	601250	Fitting, 8-8 SAE
	1	<b>213842</b>	Frame w/o Stop – 72 in. ▲	18	1	601377	Fitting, 8-8 SAE
2	1	213981	Baseplate w/o Stop	19	2	765492	Fitting, 8 SAE – M10 L-Series
3	8	211718	Bearing		2	765493	Fitting, 8 SAE – M12 L-Series
4	8	211717	Bearing		2	756920	Fitting, 8 SAE – M12 S-Series
5	4	211712	Hose Guard			212905	Bearing Service Kit (items 3, 4, 6)
6	4	209987	Spacer			212907	Pin Service Kit (items 4, 6)
7	1	209944	Seal			212908	Pin Service Kit (items 3)
8	1	213983	Bearing Assembly			216440	Bearing Service Kit (items 8,9,12,13,15)
9	24	213902	Capscrew, M12 x 45			212917	Drive Group Kit – 2.2 (items 10,11,12)
						212918	Drive Group Kit – 2.8 (items 10,11,12)

▲ Maximum roll handling capacity.

● See Drive Group page for parts breakdown.

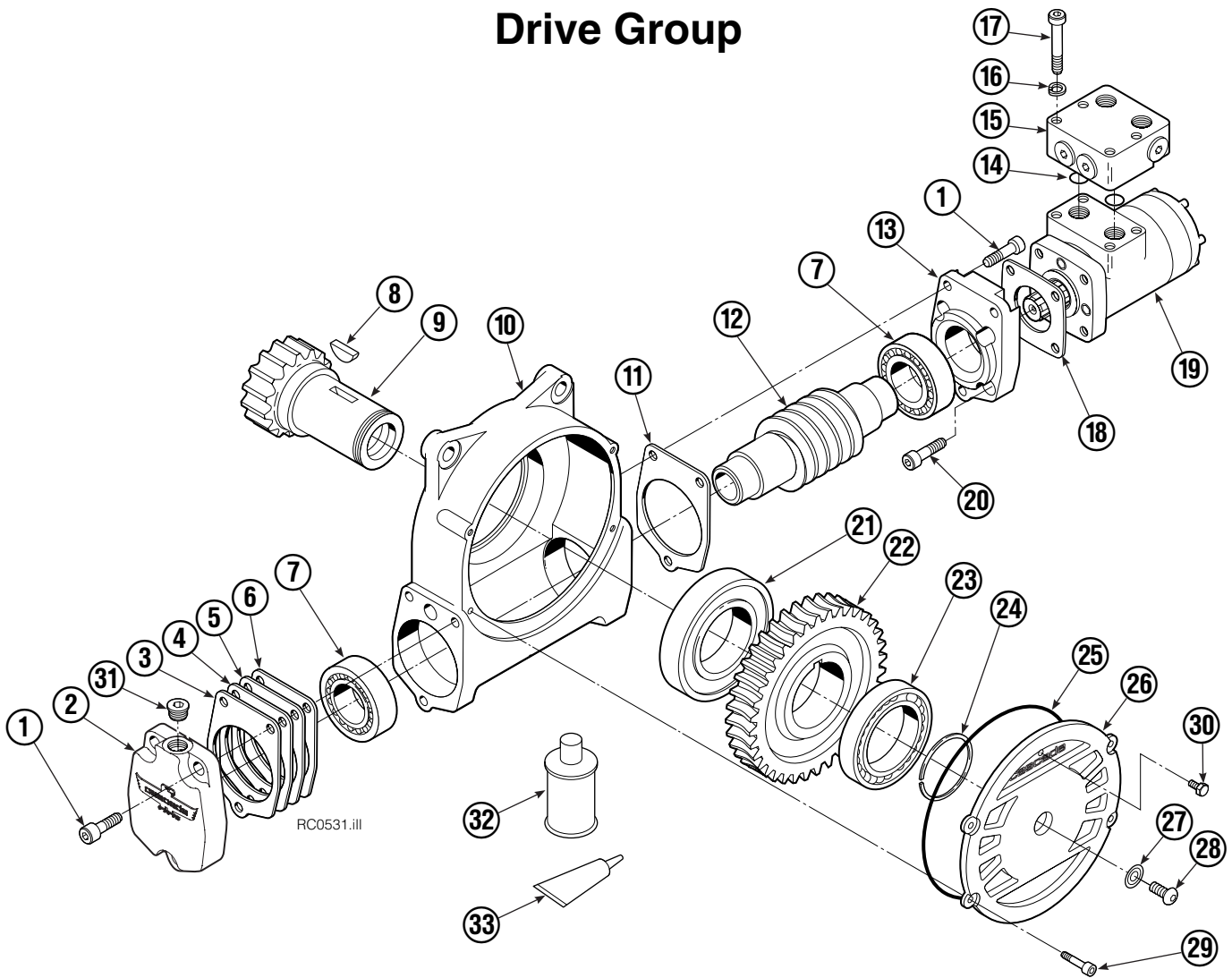
Reference: S-4649, S-4650, S-4655, S-4733.

Reference: Common Parts Group 211975, 213986.

Baseplate Group 213834 & 213846.

Fitting Group 212367.

# Drive Group



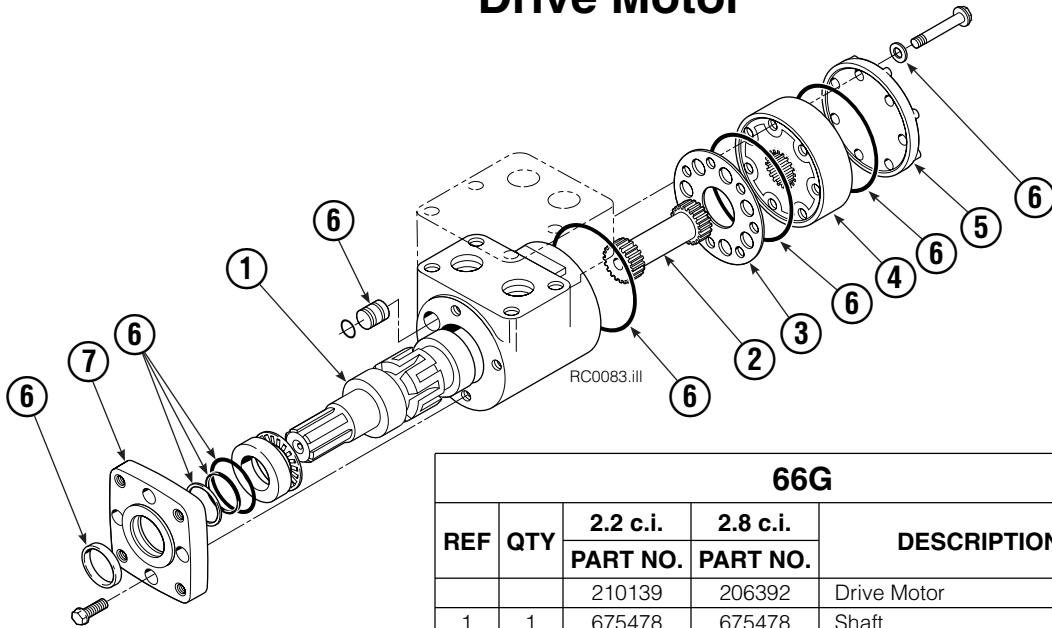
66G							
REF	QTY	PART NO.	DESCRIPTION	REF	QTY	PART NO.	DESCRIPTION
		212308	Drive Group with 2.2 c.i. Motor		1	210139	Drive Motor – 2.2 c.i. ▲
		795491	Drive Group with 2.8 c.i. Motor	19	1	206392	Drive Motor – 2.8 c.i. ▲
1	6	768826	Capscrew, M12 x 25	20	4	4468	Capscrew, 3/8 NC x .75 GR8
2	1	211774	Cover	21	1	670580	Bearing
3	●	674513	Shim – .005 in. (blue)	22	1	675609	Worm Gear
4	●	670574	Shim – .010 in. (brown)	23	1	670581	Bearing
5	●	671757	Shim – .015 in. (pink)	24	1	7214	Snap Ring
6	●	671758	Shim – .020 in. (yellow)	25	1	204970	Gasket
7	1	670579	Bearing	26	1	775552	Cover
8	1	670582	Key	27	1	783609	Seal
9	1	670506	Pinion	28	1	783608	Capscrew, M12 x 16
10	1	775551	Housing	29	4	775639	Capscrew, M8 x 20
11	1	686465	Gasket	30	1	644010	Relief Fitting
12	1	675608	Worm	31	1	604510	Fitting, 6
13	1	775553	Adapter	32	1	656300	Gear Box Lube – 48 oz.
14	2	2705	O-Ring	33	1	668184	Sealant
15	1	670549	Check Valve			670578	Shim Service Kit (items 3-6, 11, 33)
16	4	6444	Lockwasher, 5/16			675637	Shim Service Kit (items 21, 33)
17	4	607059	Capscrew, 5/16 NC x 1.75 GR8			675638	Shim Service Kit (items 3-7)
18	1	670575	Gasket			212919	Motor Kit-2.2 (items 11,14,18,19,20,33)
						212920	Motor Kit-2.8 (items 11,14,18,19,20,33)

● Quantity as required.

▲ See Drive Motor page for parts breakdown.

Reference: Common Parts Group 795490, SKN-5527.

# Drive Motor

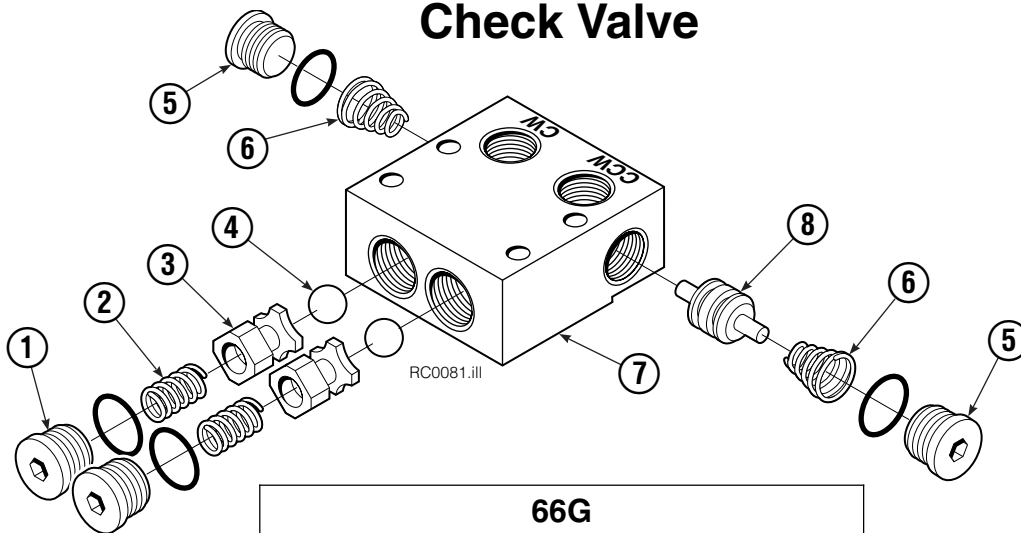


66G				
REF	QTY	2.2 c.i.	2.8 c.i.	DESCRIPTION
		PART NO.	PART NO.	
		210139	206392	Drive Motor
1	1	675478	675478	Shaft
2	1	675477	675477	Drive Link
3	1	211528	675479	Spacer Plate
4	1	210137	675480	Geroler/Gerotor Set
5	1	211527	675482	End Cap
6	1	206405	206405	Service Kit ●
7	1	685090	685090	Flange

Cascade provides service replacement parts for the listed parts only. Due to cost, if other parts need replacement, the Drive Motor should be replaced.

- Compatible with water glycol based hydraulic fluids.

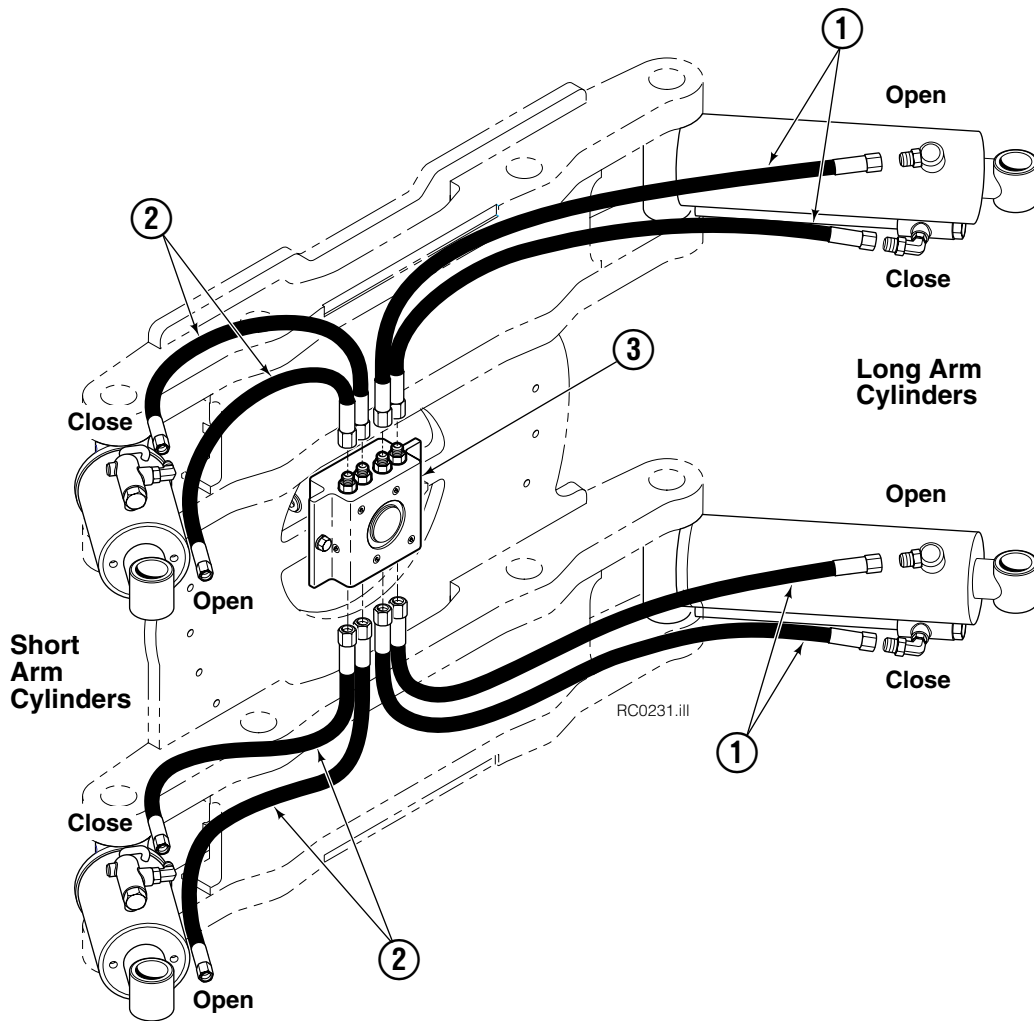
# Check Valve



66G			
REF	QTY	PART NO.	DESCRIPTION
		670549	Check Valve Assembly
1	2	609453	Fitting, 10
2	2	670552	Spring
3	2	670551	Guide
4	2	7020	Ball
5	2	602580	Fitting, 8
6	2	673989	Spring
7	1	670550	Body
8	1	670553	Spool

# Hosing Group

## Positioned Short Arm



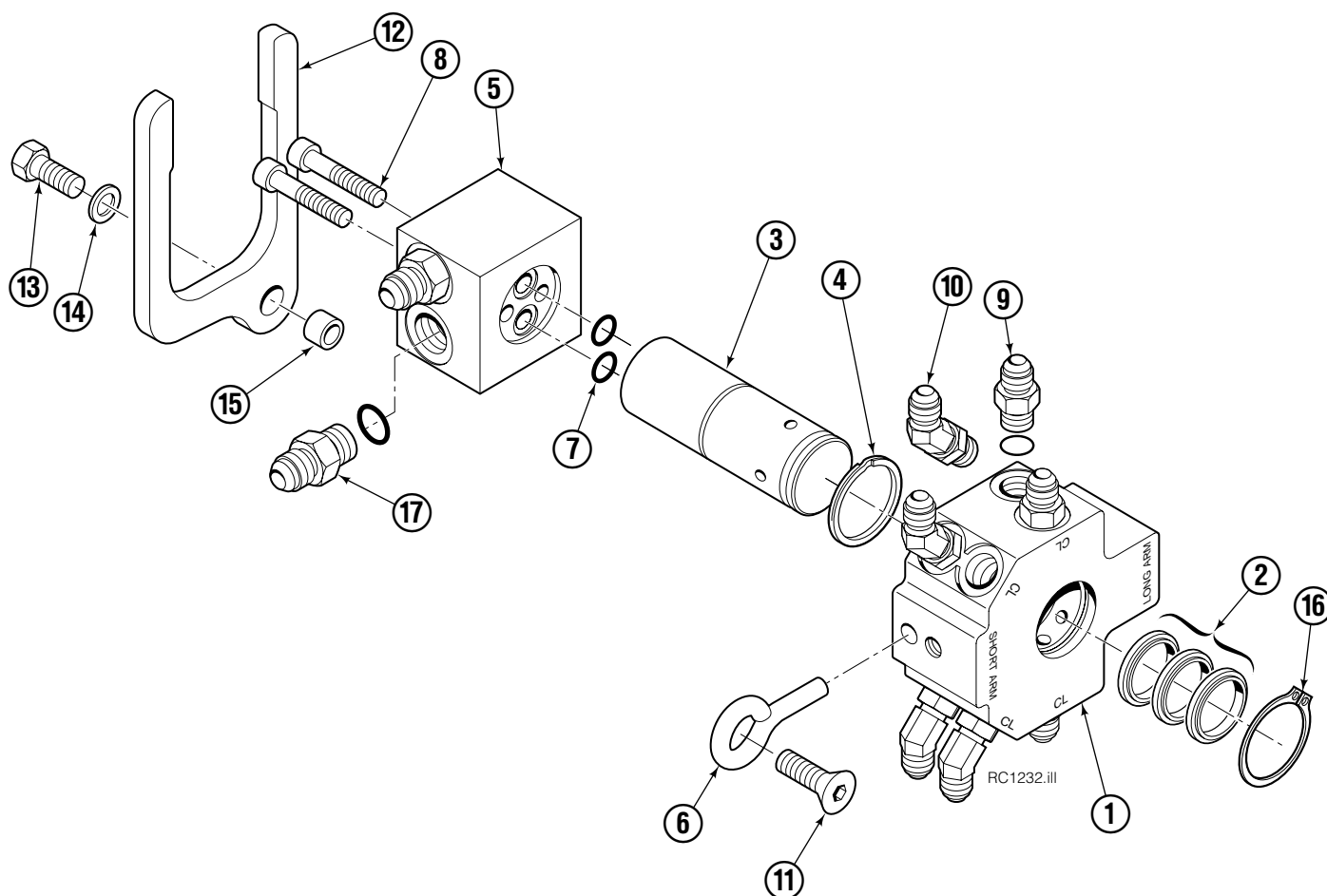
66G							
REF	QTY	51 in. ■	55 in. ■	60 in. ■	63 in. ■	72 in. ■	DESCRIPTION
		PART NO.	PART NO.	PART NO.	PART NO.	PART NO.	
		213966	213968	213970	213972	<b>213974</b>	Hose Group
1	4	213988	213990	213992	213994	213996	Hose
2	4	213989	213991	213993	213995	213997	Hose
3	1	▲	▲	▲	▲	▲	Revolving Connection

■ Maximum roll handling capacity.

▲ See Revolving Connection page for part number.

Reference: S-4192, S-4193.

# Revolving Connection



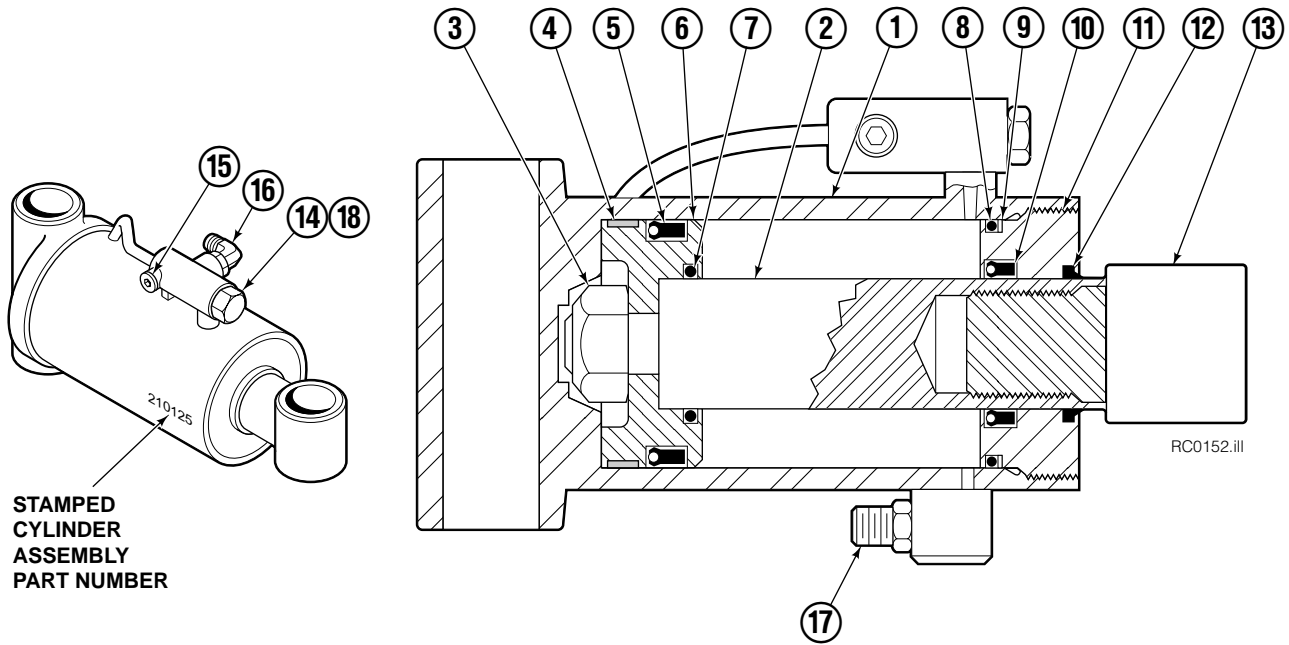
REF	QTY	PART NO.	DESCRIPTION
		222393	Revolving Connection
1	1	222192	Valve Body
2	3	214649	◆ Seal
3	1	222389	Shaft
4	1	7341	◆ Retaining Ring
5	1	222190	End Block
6	2	227962	Eye Pin
7	2	564448	◆ O-Ring
8	2	766123	◆ Capscrew, M8 x 50
9	4	604511	Fitting, 6-6
10	4	611302	Fitting, 6-6
11	2	768697	Capscrew, M10 x 25
12	1	211909	End Block Retainer
13	1	215480	Capscrew, M10 x 25
14	1	209021	Washer, M10
15	1	212725	Spacer
16	1	3138	◆ Retaining Ring
17	2	601377	● Fitting, 8-8

◆ Included in Service Kit 222223.

● Included in Fitting Group 212367.

Reference: SK-6113.

# Long Arm Cylinder



66G							
REF	QTY	51 in. ■	55 in. ■	60 in. ■	63 in. ■	72 in. ■	DESCRIPTION
		PART NO.	PART NO.	PART NO.	PART NO.	PART NO.	
		213638	213634	213640	213636	<b>213642</b>	Cylinder Assembly
1	1	4195-358	4195-376	4195-395	4195-422	4195-410	Shell
2	1	4130-348	4130-379	4130-390	4130-420	4130-500	Rod

■ Maximum roll handling capacity.

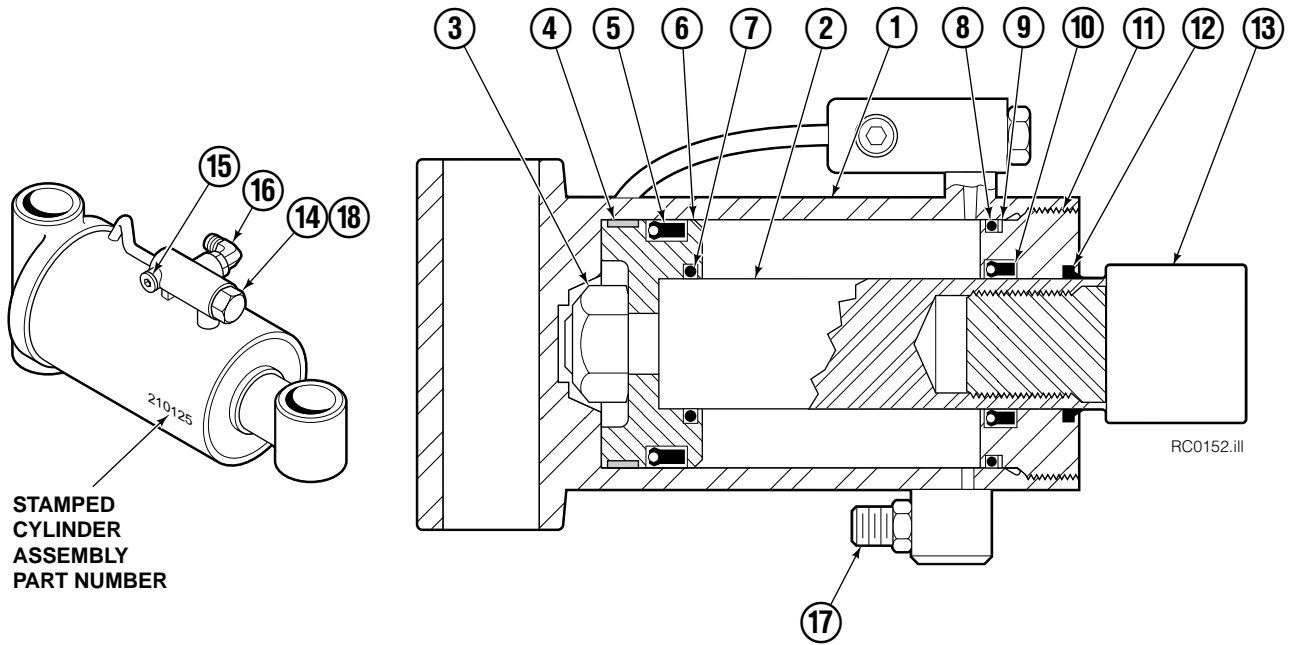
## Common Parts

REF	QTY	PART NO.	DESCRIPTION	REF	QTY	PART NO.	DESCRIPTION
3	1	560997	Nut	12	1	564443	▲ Wiper
4	1	211295	▲ Wear Ring	13	1	209764	Rod End
5	1	564902	▲ Seal	14	1	659058	Check Valve
6	1	211292	Piston	15	1	609234	Fitting, 4
7	1	210087	▲ O-Ring	16	1	601676	Fitting, 6-6
8	1	564445	▲ O-Ring	17	1	604511	Fitting, 6-6
9	1	564446	▲ Back-Up Ring	18	1	667516	Check Valve Service Kit
10	1	564442	▲ Seal			210133	Cylinder Service Kit
11	1	209763	Retainer				

▲ Included in Service Kit 210133.

Reference: S-4195, LS-4454, S-4460.

# Short Arm Cylinder



STAMPED CYLINDER ASSEMBLY PART NUMBER

66G							
REF	QTY	51 in. ■	55 in. ■	60 in. ■	63 in. ■	72 in. ■	DESCRIPTION
		PART NO.	PART NO.	PART NO.	PART NO.	PART NO.	
		213639	213635	213641	213637	<b>213643</b>	Cylinder Assembly
1	1	4195-179	4195-189	4195-194	4195-195	4195-190	Shell
2	1	4130-163	4130-174	4130-200	4130-245	4130-335	Rod

■ Maximum roll handling capacity.

## Common Parts

REF	QTY	PART NO.	DESCRIPTION	REF	QTY	PART NO.	DESCRIPTION
3	1	560997	Nut	12	1	564443	▲ Wiper
4	1	211295	▲ Wear Ring	13	1	209764	Rod End
5	1	564902	▲ Seal	14	1	659058	Check Valve
6	1	211292	Piston	15	1	609234	Fitting, 4
7	1	210087	▲ O-Ring	16	1	601676	Fitting, 6-6
8	1	564445	▲ O-Ring	17	1	604511	Fitting, 6-6
9	1	564446	▲ Back-Up Ring	18	1	667516	Check Valve Service Kit
10	1	564442	▲ Seal			210133	Cylinder Service Kit
11	1	209763	Retainer				

▲ Included in Service Kit 210133.

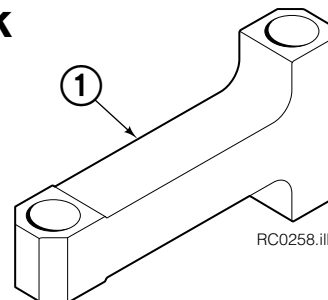
Reference: S-4195, LS-4454, S-4460.

# Short Arm Link

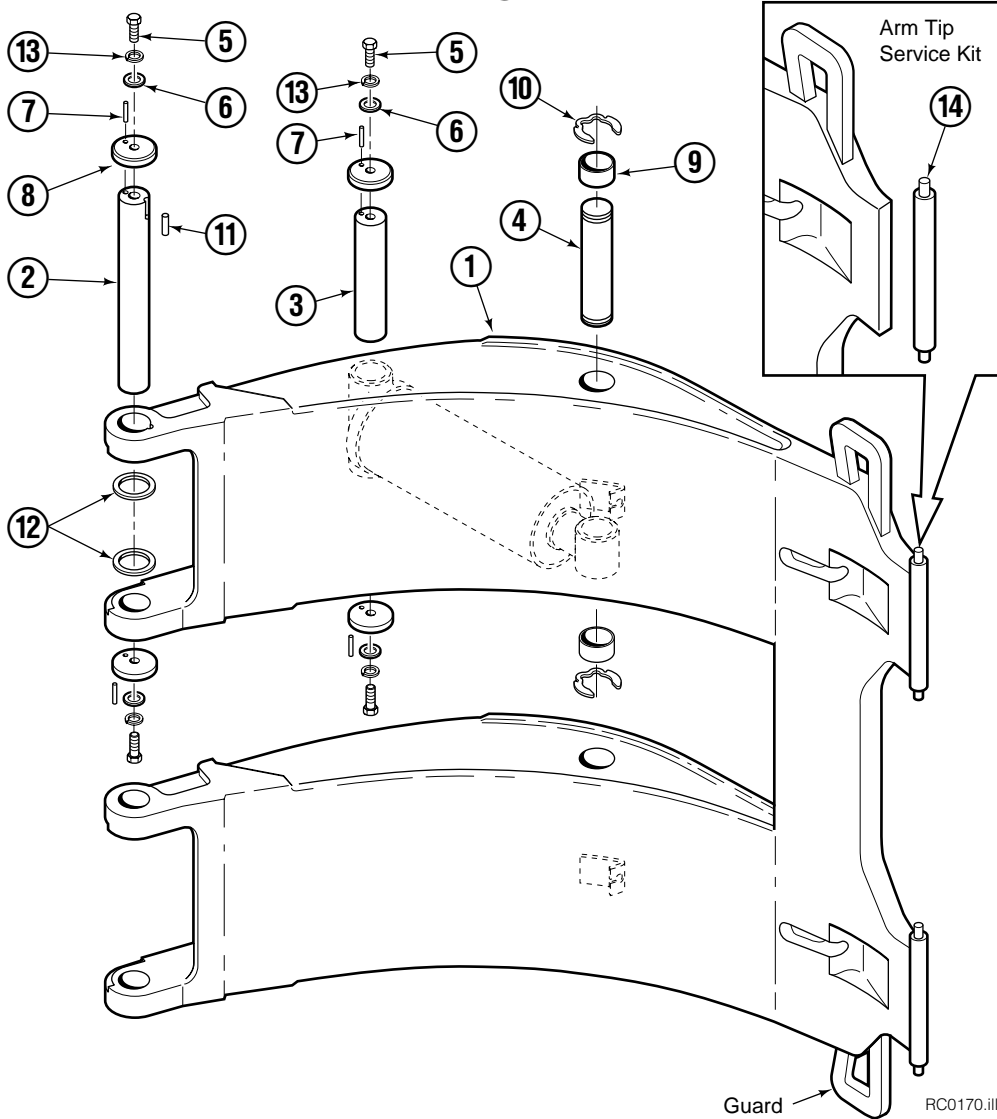
66G			
REF	QTY	PART NO.	DESCRIPTION
1	2	213954	Link - 51 in. ■
	2	213955	Link - 55 in. ■
	2	213956	Link - 60 in. ■
	2	213957	Link - 63 in. ■
	2	210145	Link - 72 in. ■

■ Maximum roll handling capacity.

Reference: S-4196, S-4203.



# Long Arm



66G							DESCRIPTION
REF	QTY	51 in. ■ PART NO.	55 in. ■ PART NO.	60 in. ■ PART NO.	63 in. ■ PART NO.	72 in. ■ PART NO.	
		214068	–	214072	–	214076	Arm Group w/Guard
		214078	212411	214082	214084	<b>214086</b>	Arm Group w/o Guard
1	1	214088	–	214096	–	214104	Arm w/Guard
	1	214108	213344	214116	214120	214124	Arm w/o Guard

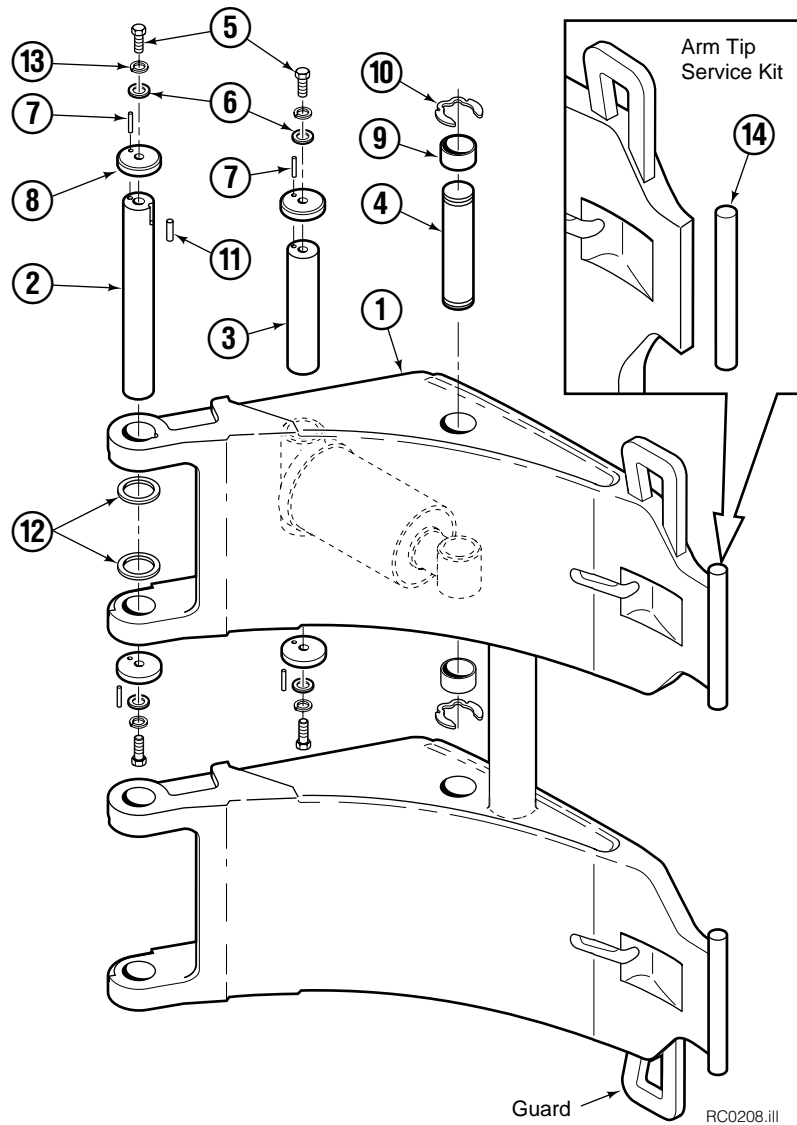
■ Maximum roll handling capacity.

## Common Parts

REF	QTY	PART NO.	DESCRIPTION	REF	QTY	PART NO.	DESCRIPTION
		212933	Common Parts Group	11	2	212382	Dowel Pin, 8x16 mm
2	2	209982	Arm Pivot Pin	12	16	209941	Shim – .062 in.
3	2	209983	Cylinder Pivot Pin	13	8	681238	Lockwasher
4	2	4175-150	Cylinder Rod Pivot Pin	14	1	212902	Arm Tip Service Kit
5	8	215480	Capscrew, M10x1.5x25			212905	Bearing Service Kit (items 9, 10)
6	8	209021	Washer, M10			212906	Pin Service Kit (items 2–8, 10–13)
7	8	769009	Roll Pin			212907	Pin Service Kit (items 2, 5–8, 11, 13)
8	8	209985	Cap			212908	Pin Service Kit (items 3, 5–8)
9	4	210080	Bearing			212909	Pin Service Kit (items 4, 9, 10)
10	4	209986	Retaining Ring				

Reference: S-4668, S-4170, S-4171.

# Short Arm



66G							
REF	QTY	51 in. ■	55 in. ■	60 in. ■	63 in. ■	72 in. ■	DESCRIPTION
		PART NO.	PART NO.	PART NO.	PART NO.	PART NO.	
		214158	214159	214160	214161	214162	Arm Group w/Guard
		214163	214164	214165	214166	<b>214167</b>	Arm Group w/o Guard
1	1	214168	214170	214172	214174	214176	Arm w/Guard
	1	214178	214180	214182	214184	214186	Arm w/o Guard

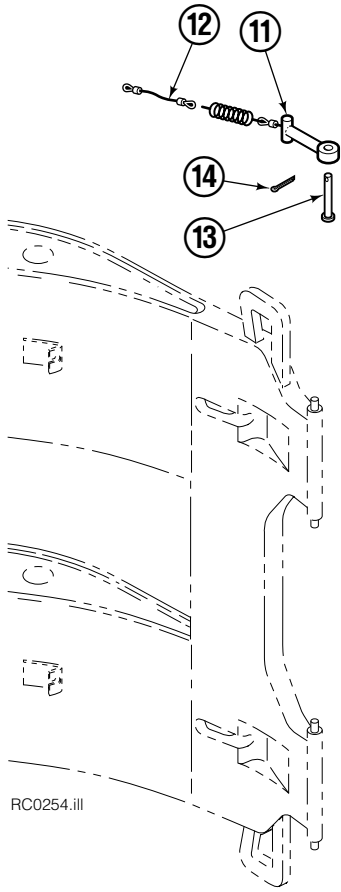
■ Maximum roll handling capacity.

## Common Parts

REF	QTY	PART NO.	DESCRIPTION	REF	QTY	PART NO.	DESCRIPTION
		212933	Common Parts Group	11	2	212382	Dowel Pin, 8x16 mm
2	2	209982	Arm Pivot Pin	12	16	209941	Shim - .062 in.
3	2	209983	Cylinder Pivot Pin	13	8	681238	Lockwasher
4	2	4175-150	Cylinder Rod Pivot Pin	14	1	212902	Arm Tip Service Kit
5	8	215480	Capscrew, M10x1.5x25			212905	Bearing Service Kit (items 9, 10)
6	8	209021	Washer, M10			212906	Pin Service Kit (items 2-8, 10-13)
7	8	769009	Roll Pin			212907	Pin Service Kit (items 2, 5-8, 11, 13)
8	8	209985	Cap			212908	Pin Service Kit (items 3, 5-8)
9	4	210080	Bearing			212909	Pin Service Kit (items 4, 9, 10)
10	4	209986	Retaining Ring				

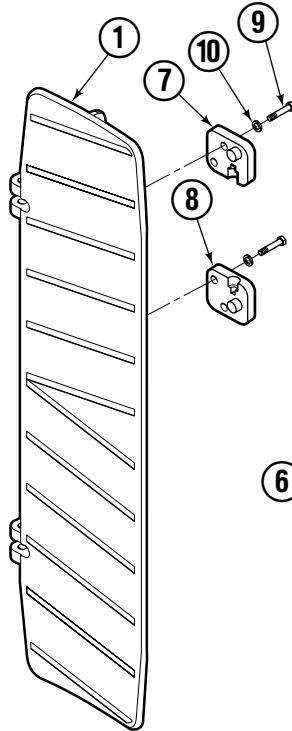
Reference: S-4172, S-4173.

# Pad Groups – Long Arm

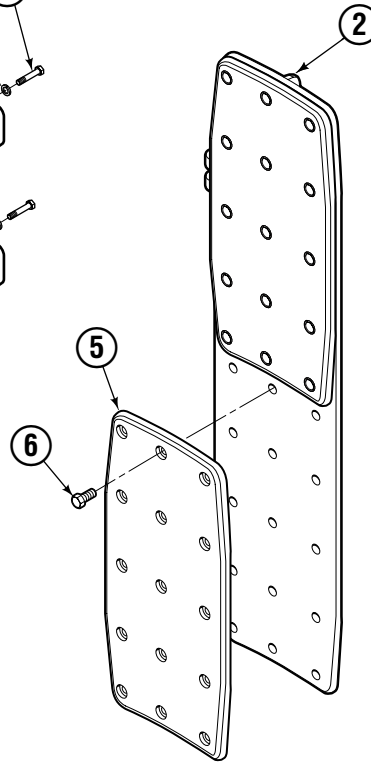


RC0254.ill

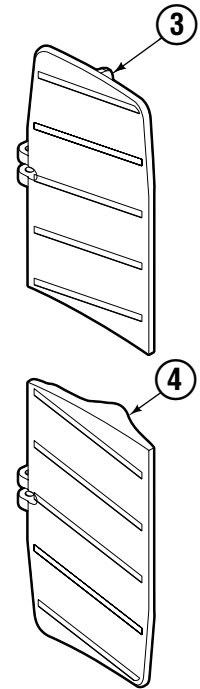
## Standard



## Bolt-On Rubber



## Split



60G			
REF	QTY	72 in. ■ PART NO.	DESCRIPTION
		209887	Standard Pad Group
		—	Bolt-On Rubber Pad Group
		209889	Split Pad Group
1	1	209898	Pad, Standard
2	1	—	Pad, Bolt-On Rubber
3	1	213658	Pad, Split, R.H. ▲
4	1	213659	Pad, Split, L.H. ▲
5	2	—	Bolt-On Rubber
6	30	—	Capscrew, M8

■ Maximum roll handling capacity.

▲ Driver's view, clamp in horizontal position, Long Arm up.

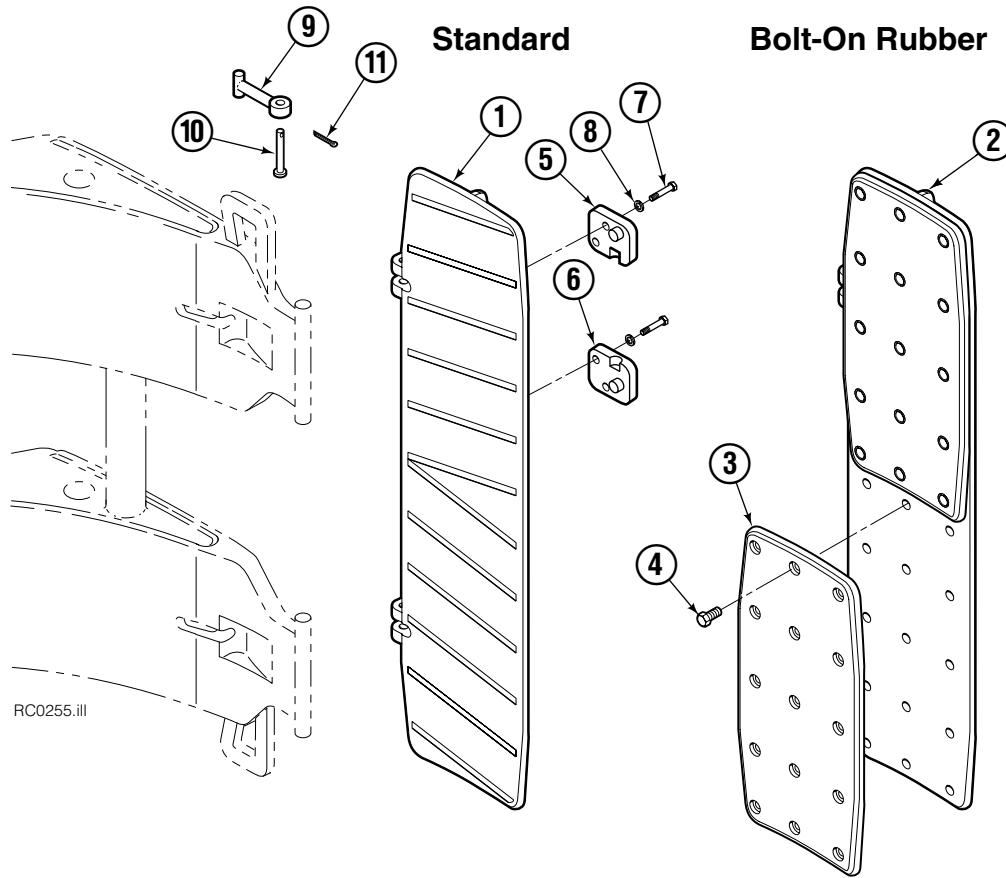
## Common Parts

REF	QTY	PART NO.	DESCRIPTION	REF	QTY	PART NO.	DESCRIPTION
		212934	Common Parts Group – Long Arm		2	4182-40	Cable – 51 in. ■
7	2	211997	Retainer, R.H. ▲	12	2	4182-110	Cable – 60 in. ■
8	2	211998	Retainer, L.H. ▲		2	4182-245	Cable – 72 in. ■
9	8	763021	Capscrew, M12	13	2	674265	Clevis Pin
10	8	681473	Lockwasher, M12	14	2	6525	Cotter Pin
11	2	209916	Link Assembly				

▲ Driver's view, clamp in horizontal position, Long Arm up.

Reference: S-4176, S-4177.

# Pad Groups – Short Arm



RC0255.ill

60G			
REF	QTY	72 in. ■	DESCRIPTION
		PART NO.	
		209888	Standard Pad Group
		—	Bolt-On Rubber Pad Group
1	1	209898	Pad, Standard
2	1	—	Pad, Bolt-On Rubber
3	2	—	Bolt-On Rubber
4	30	—	Capscrew, M8

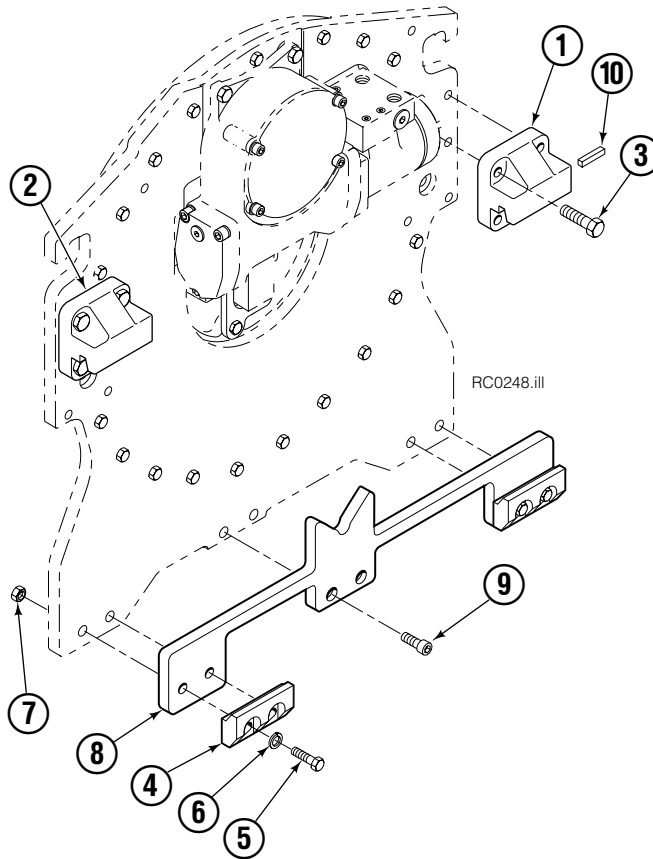
■ Maximum roll handling capacity.

## Common Parts

REF	QTY	PART NO.	DESCRIPTION	REF	QTY	PART NO.	DESCRIPTION
		212935	Common Parts Group – Short Arm	8	8	681473	Lockwasher, M12
5	2	209904	Retainer, R.H. ▲	9	2	209909	Link
6	2	209905	Retainer, L.H. ▲	10	2	674265	Clevis Pin
7	8	763021	Capscrew, M12	11	2	6525	Cotter Pin

▲ Driver's view, clamp in horizontal position, Short Arm up.  
Reference: S-4176, S-4177.

# Mounting Group



## Class III, 2°

REF	QTY	PART NO.	DESCRIPTION
		209926	Mounting Group
1	1	209932	Upper Hook – RH
2	1	209933	Upper Hook – LH
3	4	779010	Capscrew, M16 x 35
4	2	675969	Lower Hook
5	4	678997	Capscrew, M16 x 70
6	4	667225	Washer, .625 in. I.D.
7	4	781534	Nut, M16
8	1	209936	Spacer
9	2	213771	Capscrew, M12 x 25
10	1	669344	Stop Kit

**Do you have questions you need answered right now?** Call your nearest Cascade Parts Department. Visit us online at [www.cascorp.com](http://www.cascorp.com)

**Cascade Corporation**  
2501 Sheridan Avenue  
Springfield, OH 45505  
Tel: 888-CASCADE (227-2233)  
FAX: 888-329-0234

**Cascade Canada Inc.**  
5570 Timberlea Blvd.  
Mississauga, Ontario  
Canada L4W-4M6  
Tel: 905-629-7777  
FAX: 905-629-7785

**Cascade GmbH**  
D-41199 Monchengladbach  
Klosterhofweg 52  
Germany  
Tel: 49-216-668230  
FAX: 49-216-6682323

**Cascade Finland**  
Albert Petreliuksenkatu 3  
01370 Vantaa  
Finland  
Tel: 358-9-836-1925  
FAX: 358-9-836-1935

**Cascade N.V.  
European Headquarters**  
P.O. Box 3009  
1300 El Almere  
Damluisweg 56  
1332 ED Almere  
The Netherlands  
Tel: 31-36-5492911  
FAX: 31-36-5492964

**Cascade N.V.  
Benelux Sales and Service**  
P.O. Box 3009  
1300 El Almere  
Damluisweg 56  
1332 ED Almere  
The Netherlands  
Tel: 31-36-5492950  
FAX: 31-36-5492974

**Cascade (UK) Ltd.**  
15, Orgreave Crescent  
Dore House Industrial Estate  
Handsworth  
Sheffield S13 9NQ  
England  
Tel: 742-697524  
FAX: 742-695121

**Cascade Scandinavia AB**  
Box 124  
Hammarvägen 10  
567 23 Vaggeryd  
Sweden  
Tel: 42-0-393-36950  
FAX: 46-0-393-36959

**Cascade Norway**  
Østerliveien 37A  
1153 Oslo  
Norway  
Tel: 47-22-743160  
FAX: 47-22-743157

**Cascade France S.A.R.L.**  
1D Rue De Charaintru  
BP 18, 91360 Epinay-Sur-Orge  
Morangis Cedex, France  
Tel: 33-1- 64547500  
FAX: 33-1-64547501

**Cascade Hispania S.A.**  
Carrer 5 Sector C  
Zona Franca Duanera  
Poligono de la Zon Franca  
08040 Barcelona, Spain  
Office No. 256  
Tel: 93-264-07-30  
FAX: 93-264-07-31

**Cascade Japan Ltd.**  
5-5-41,  
Torikai Kami  
Settsu, Osaka  
Japan, 566  
Tel: 81-726-53-3490  
FAX: 81-726-53-3497

**Cascade Korea**  
108B, Namdong Ind Complex  
658-3 Gojan-Dong  
Namdong-Gu  
Inchon, 405-310 Korea  
Tel: 82-32-821-2051  
FAX: 82-32-821-2055

**Cascade Australia**  
1445 Ipswich Road  
Rocklea, QLD 4106  
Australia  
Tel: 1-800227-223  
FAX: (07) 3373-7333

**Cascade New Zealand**  
15 Ra Ora Drive  
East Tamaki, Auckland  
New Zealand  
Tel: 9-273-9136  
FAX: 9-273-9137

**Cascade (Africa) Pty. Ltd.**  
P.O. Box 625, Isando 1600  
60A Steel Road  
Sparton, Kempton Park  
South Africa  
Tel: 27-11-975-9240  
FAX: 27-11-394-1147

**Cascade-Xiamen**  
No. 668 Yangguang Rd.  
Xinyang Industrial Zone  
Haicang, Xiamen City  
Fujian Province  
P.R. China 361026  
Tel: 86-592-651-2500  
FAX: 86-592-651-2571

**Cascade (Singapore)  
Trading Co.**  
Four Seasons Park  
Autumn Block - Apt. 1802  
12 Cuscaden Walk  
Singapore  
Tel: 65-834-1935  
FAX: 65-834-1936

