



Parts Manual

Model _____ **Carton Clamp**

Serial Number _____ **35D-CCS-95Q R0**

cascade[®]
corporation

For Technical Assistance call: 800-227-2233, Fax: 888-329-8207

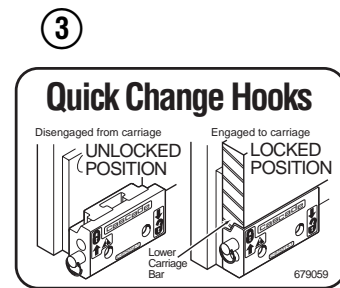
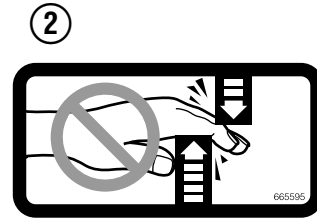
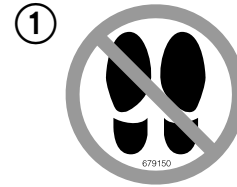
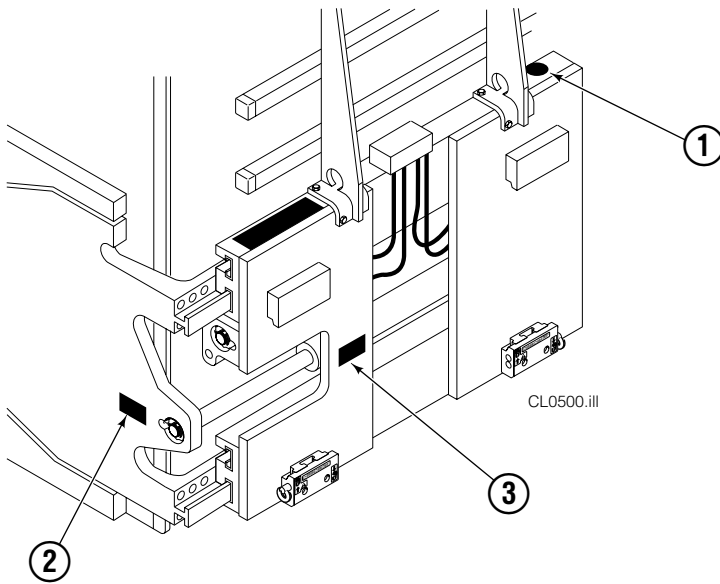
To Order Parts call: 888-227-2233, Fax: 888-329-0234

OR

Write: Cascade Corporation, P.O. Box 20187, Portland, OR 97220

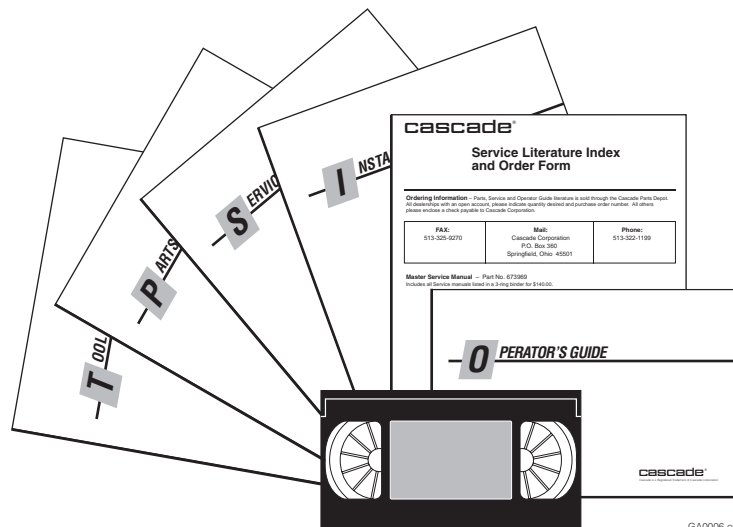
Internet: www.cascorp.com

Safety Decals



REF	QTY	PART NO.	DESCRIPTION
1	1	679150	No Step Decal
2	2	665595	No Hand Hold Decal
3	1	679059	Quick Change Hook Decal

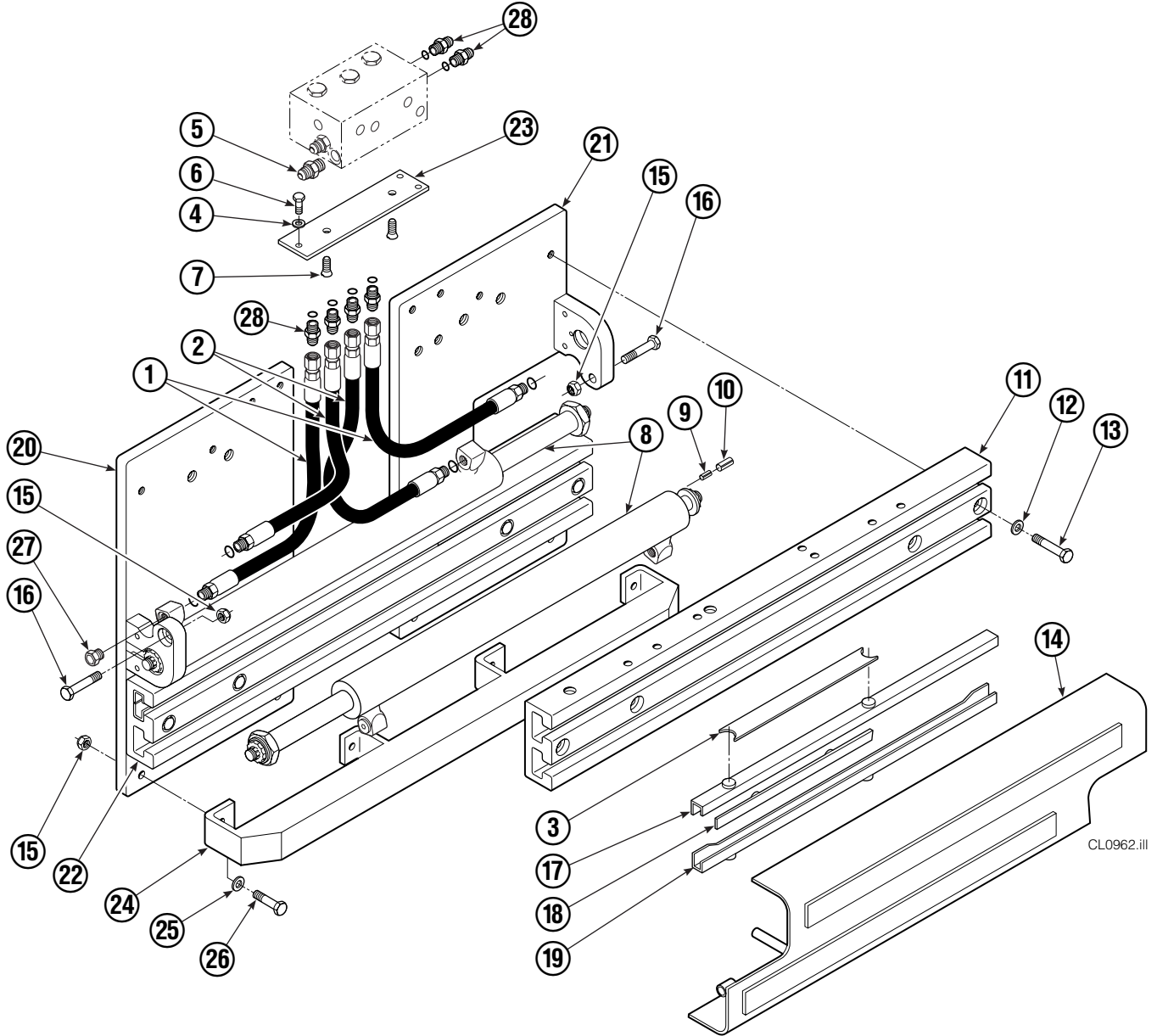
Publications



GA0006.eps

PART NO.	DESCRIPTION
670487	Service Manual
670834	Operators Guide
670488	Installation Instructions
680664	Servicing Cascade Cylinders-VHS
679929	Tool Catalog
673964	Literature Index Order Form

Base Unit Group



CL0962.iii

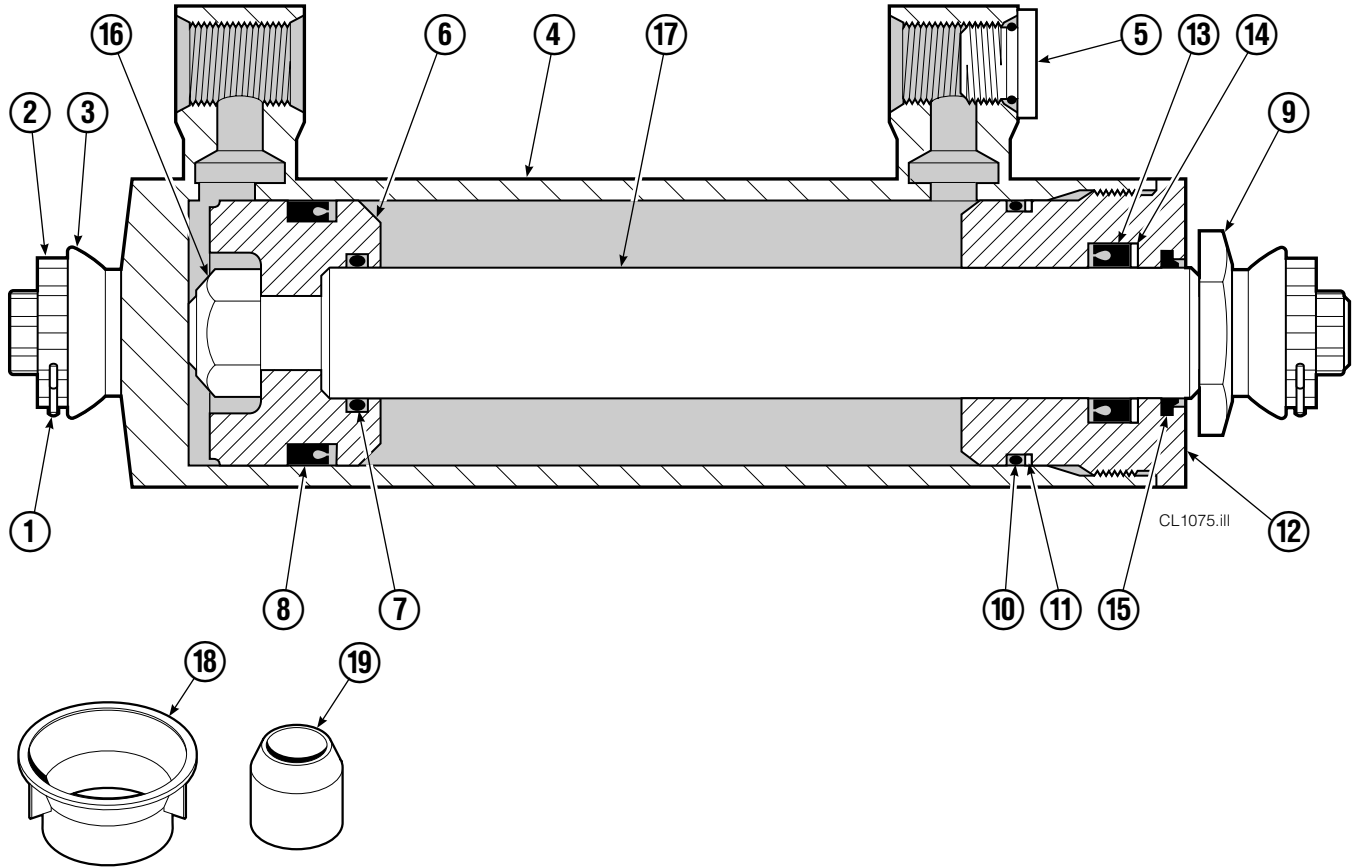
35D							
REF	QTY	PART NO.	DESCRIPTION	REF	QTY	PART NO.	DESCRIPTION
1	2	210436	Hose, 24.75 in.	15	6	773842	Nut, M12
2	2	210449	Hose, 18.25 in.	16	2	768414	Capscrew, M12x65
3	1	675326	Shim Kit ■	17	4	208858	Bearing
4	2	209021	Washer, M10	18	4	667663	Bearing
5	1	601377	Fitting, 8-8	19	4	208857	Bearing
6	2	684594	Capscrew, M10x20	20	1	220996	Mounting Plate - RH
7	2	766646	Capscrew, M10x20	21	1	220997	Mounting Plate - LH
8	2	671573	Cylinder ▲	22	1	221417	Frame - Lower
9	2	768953	Roll Pin - Inner	23	1	669957	Plate
10	2	769009	Roll Pin - Outer	24	1	671545	Bumper - Lower
11	1	221280	Frame - Upper	25	4	202348	Washer, M12
12	8	667910	Washer	26	4	768556	Capscrew, M12x45
13	8	684659	Capscrew, M12x75	27	2	602580	Fitting, 8
14	1	672331	Bumper	28	6	611288	Fitting, 6-8

■ Includes two .015 in. Shims, and eight .020 in. Shims.

▲ See Cylinder page for parts breakdown.

Reference: Base Unit 221353, SK-6390 R-3.

Cylinder



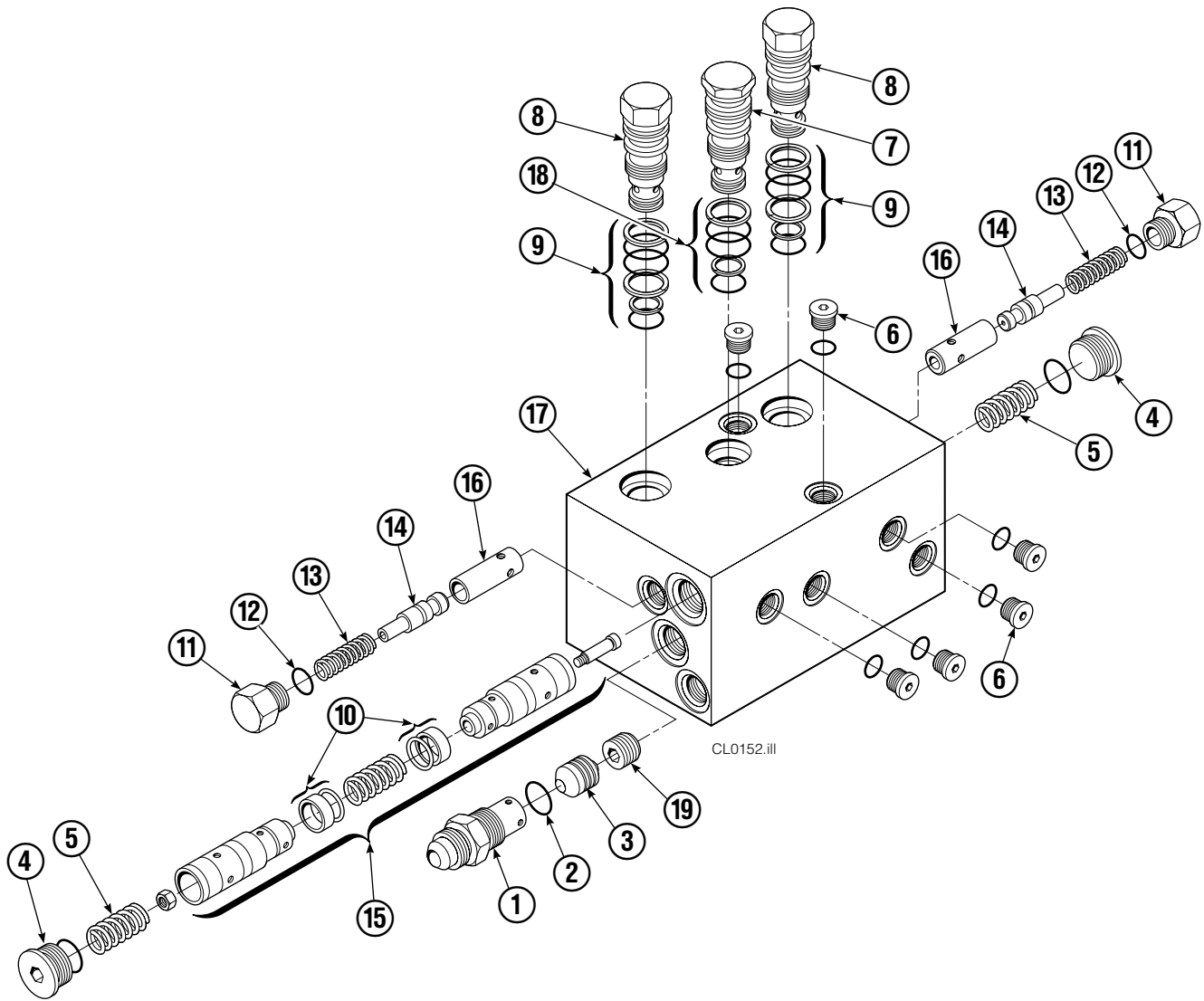
35D			
REF	QTY	PART NO.	DESCRIPTION
		671573	Cylinder Assembly
1	2	6510	■ Cotter Pin
2	2	667624	■ Nut Retainer
3	2	667625	■ Nut
4	1	671574	Shell
5	1	602580	Fitting
6	1	558400	Piston
7	1	2716	▲ O-Ring
8	1	662454	▲ Seal
9	1	667626	Washer
10	1	2787	▲ O-Ring
11	1	615130	▲ Back-Up Ring
12	1	667917	Retainer
13	1	662448	▲ Seal
14	1	638243	▲ Nylon Ring
15	1	636853	▲ Wiper
16	1	668031	Nut
17	1	671571	Rod
18	1	671049	▲ Seal Loader, Piston
19	1	671052	▲ Seal Loader, Retainer
		667995	Service Kit

▲ Included in Service Kit 667995.

■ Included in Nut Service Kit 668926.

Reference: S-7662.

Check Valve



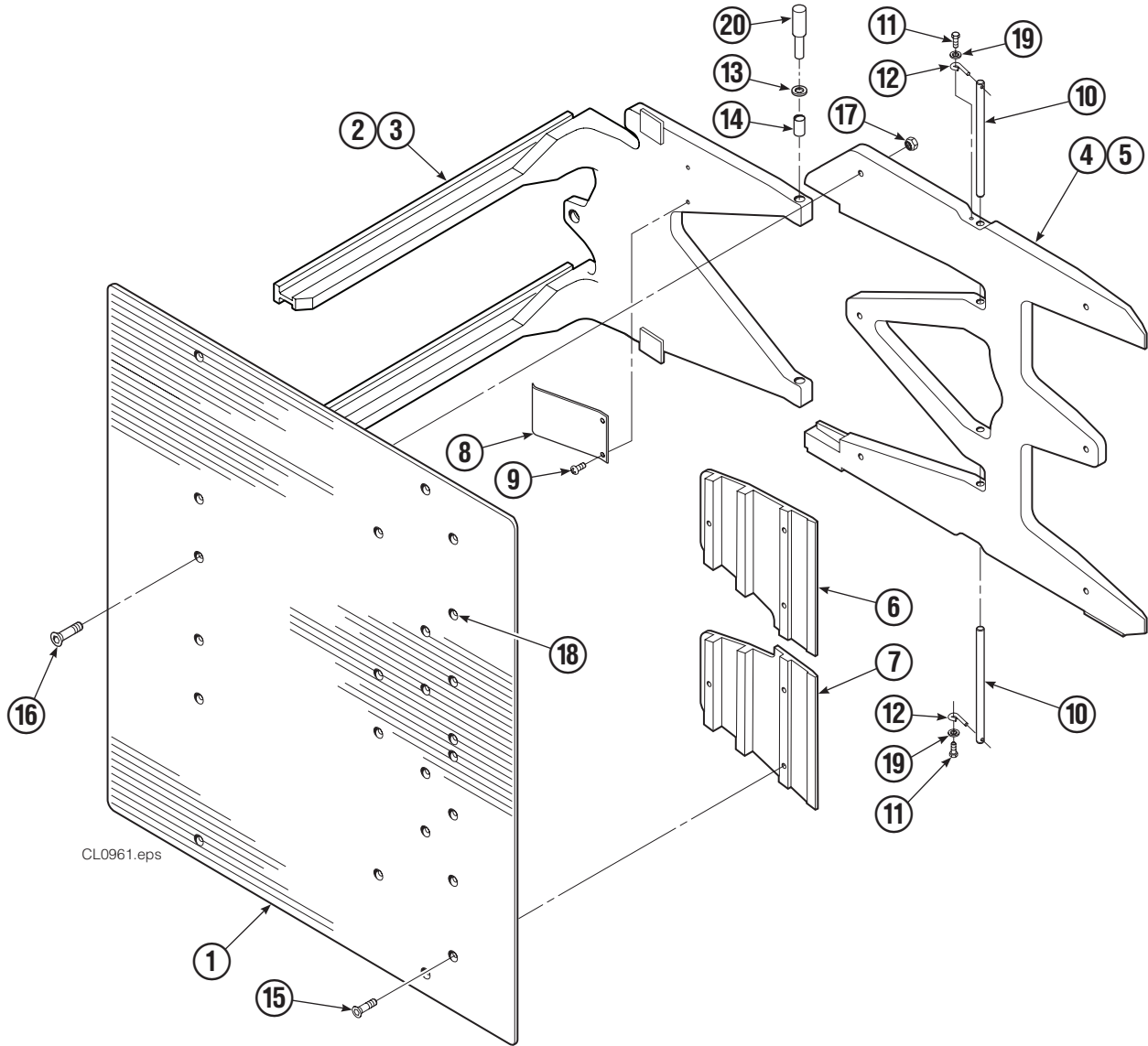
REF	QTY	PART NO.	DESCRIPTION	REF	QTY	PART NO.	DESCRIPTION
		669762	Check Valve – Flow Divider	11	2	667494	Fitting
1	1	667490	Special Fitting	12	2	2840	● O-Ring
2	1	2841	● O-Ring	13	2	673098	Spring
3	1	667471	Spool	14	2	667492	Poppet
4	2	609453	Fitting, 10	15	1	673089	Spool Assembly
5	2	667487	Spring	16	2	667491	Sleeve
6	6	604510	Fitting, 6	17	1	669763	Valve Body
7	1	678270	Check Valve – VPO	18	1	661347	● Service Kit
8	2	659058	Check Valve – PO	19	1	676343	Regeneration Elimination Plug ■
9	2	667516	● Service Kit			667513	Service Kit
10	1	679846	Low Flow Spool Kit				

● Included in Service Kit 667513.

■ For eliminating regeneration circuit only. See Technical Bulletin 121.

Reference: SK-5302.

Contact Pad & Arms



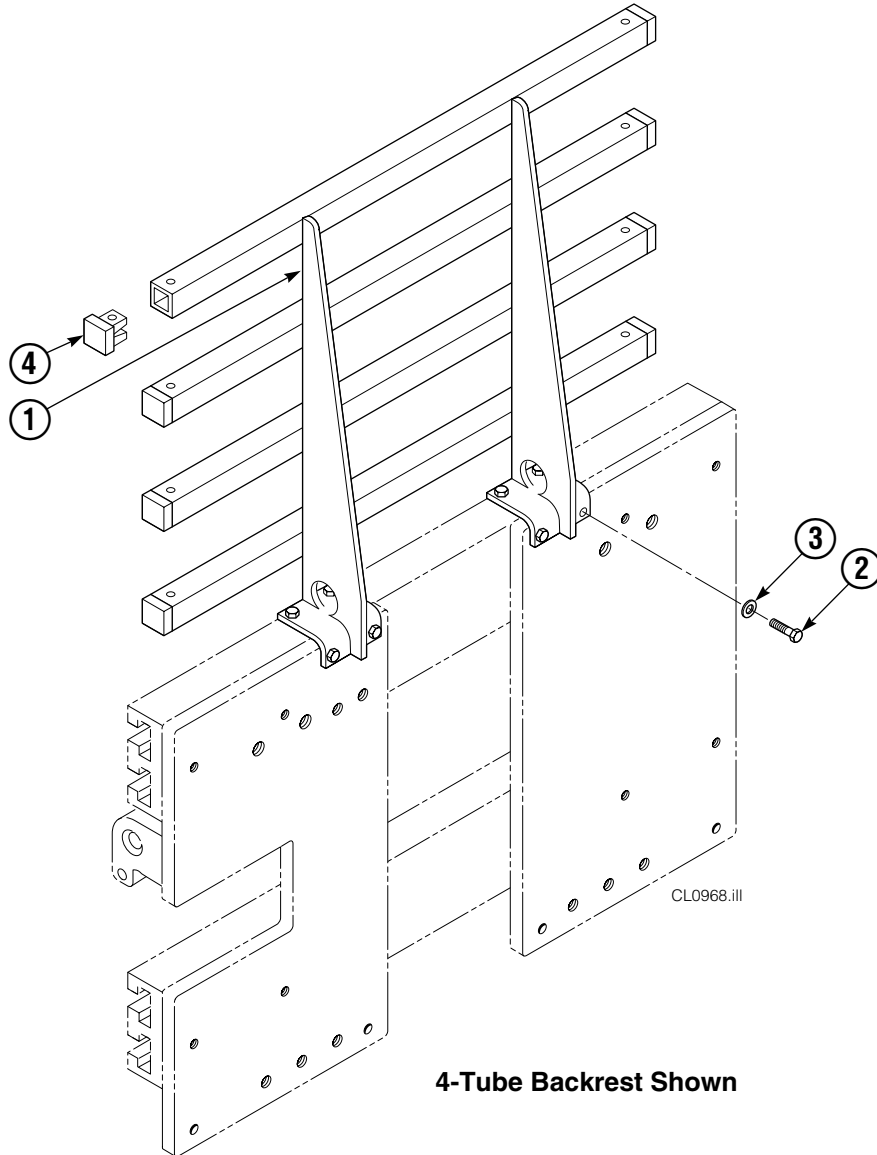
CL0961.eps

35D							
REF	QTY	PART NO.	DESCRIPTION	REF	QTY	PART NO.	DESCRIPTION
1	2	222716	Contact Pad	11	4	787372	Capscrew, M8 x 20
2	1	220959	Arm – LH	12	4	682999	Eye Pin
3	1	221088	Arm – RH	13	8	675620	Washer, M10
4	1	210404	Stabilizer – LH	14	8	200590	Bushing
5	1	210407	Stabilizer – RH	15	12	766646	Capscrew, M10 x 20
6	2	210180	Filler Block – LH Upper/RH Lower	16	12	768706	Capscrew, M12 x 35
7	2	210179	Filler Block – RH Upper/LH Lower	17	12	773842	Nut, M12
8	2	210154	Spring	18	▲	676841	Contact Pad Repair Kit
9	4	203405	Capscrew, M10 x 16	19	4	787398	Washer, M8
10	4	210161	Pin	20	1	675626	Bushing Driver Tool

Reference: 210409 Stabilizer Group, 210495 Common Parts, S-4246, SK-6390.

▲ Repairs one hole.

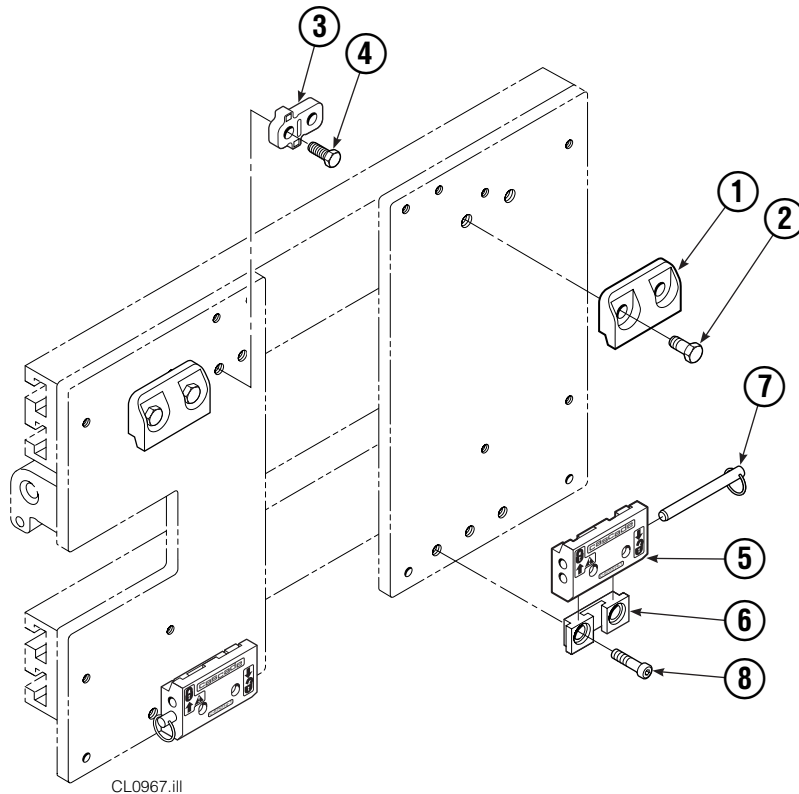
Backrest Group



35D			
REF	QTY	PART NO.	DESCRIPTION
		221579	Backrest Group
1	1	669899	Backrest
2	8	767810	Capscrew, M12 x 25
3	8	667910	Washer, 1/2
4	12	674356	Tube End

Reference: SK-6390.

Quick-Change Mounting Group



REF	QTY	ITA II	DESCRIPTION
		PART NO.	
		211162	Upper Mounting Group ▲
		211174	Lower Mounting Group ●
1	2	210491	Upper Hook
2	4	768577	Capscrew, M20 x 35
3	1	212999	Center Key
4	2	211129	Capscrew, M16 x 35
5	2	675514	Lower Hook
6	2	675515	Guide
7	2	678832	Pin
8	4	211180	Capscrew, M16 x 30

▲ Includes items 1–4.

● Includes items 5–8.

Reference: SK-6390.

Do you have questions you need answered right now? Call your nearest Cascade Parts Department. Visit us online at www.cascorp.com

Cascade Corporation

2501 Sheridan Avenue
Springfield, OH 45505
Tel: 888-CASCADE (227-2233)
FAX: 888-329-0234

Cascade Canada Inc.

5570 Timberlea Blvd.
Mississauga, Ontario
Canada L4W-4M6
Tel: 905-629-7777
FAX: 905-629-7785

Cascade GmbH

D-41199 Monchengladbach
Klosterhofweg 52
Germany
Tel: 49-216-668230
FAX: 49-216-6682323

Cascade Finland

Albert Petreliuksenkatu 3
01370 Vantaa
Finland
Tel: 358-9-836-1925
FAX: 358-9-836-1935

**Cascade N.V.
European Headquarters**

P.O. Box 3009
1300 El Almere
Damsluisweg 56
1332 ED Almere
The Netherlands
Tel: 31-36-5492911
FAX: 31-36-5492964

**Cascade N.V.
Benelux Sales and Service**

P.O. Box 3009
1300 El Almere
Damsluisweg 56
1332 ED Almere
The Netherlands
Tel: 31-36-5492950
FAX: 31-36-5492974

Cascade (UK) Ltd.

15, Orgreave Crescent
Dore House Industrial Estate
Handsworth
Sheffield S13 9NQ
England
Tel: 742-697524
FAX: 742-695121

Cascade Scandinavia AB

Box 124
Hammarvägen 10
567 23 Vaggeryd
Sweden
Tel: 42-0-393-36950
FAX: 46-0-393-36959

Cascade Norway

Østerliveien 37A
1153 Oslo
Norway
Tel: 47-22-743160
FAX: 47-22-743157

Cascade France S.A.R.L.

1D Rue De Charaintru
BP 18, 91360 Epinay-Sur-Orge
Morangis Cedex, France
Tel: 33-1- 64547500
FAX: 33-1-64547501

Cascade Hispania S.A.

Carrer 5 Sector C
Zona Franca Duanera
Poligono de la Zon Franca
08040 Barcelona, Spain
Office No. 256
Tel: 93-264-07-30
FAX: 93-264-07-31

Cascade Japan Ltd.

5-5-41,
Torikai Kami
Settsu, Osaka
Japan, 566
Tel: 81-726-53-3490
FAX: 81-726-53-3497

Cascade Korea

108B, Namdong Ind Complex
658-3 Gojan-Dong
Namdong-Gu
Inchon, 405-310 Korea
Tel: 82-32-821-2051
FAX: 82-32-821-2055

Cascade Australia

1445 Ipswich Road
Rocklea, QLD 4106
Australia
Tel: 1-800227-223
FAX: (07) 3373-7333

Cascade New Zealand

15 Ra Ora Drive
East Tamaki, Auckland
New Zealand
Tel: 9-273-9136
FAX: 9-273-9137

Cascade (Africa) Pty. Ltd.

P.O. Box 625, Isando 1600
60A Steel Road
Sparton, Kempton Park
South Africa
Tel: 27-11-975-9240
FAX: 27-11-394-1147

Cascade-Xiamen

No. 668 Yangguang Rd.
Xinyang Industrial Zone
Haicang, Xiamen City
Fujian Province
P.R. China 361026
Tel: 86-592-651-2500
FAX: 86-592-651-2571

**Cascade (Singapore)
Trading Co.**

Four Seasons Park
Autumn Block - Apt. 1802
12 Cuscaden Walk
Singapore
Tel: 65-834-1935
FAX: 65-834-1936

