



Parts Manual

Model Push-Pull

Serial Number 45E-PLB-122

cascade[®]
corporation

For Technical Assistance call: 800-227-2233, Fax: 888-329-8207

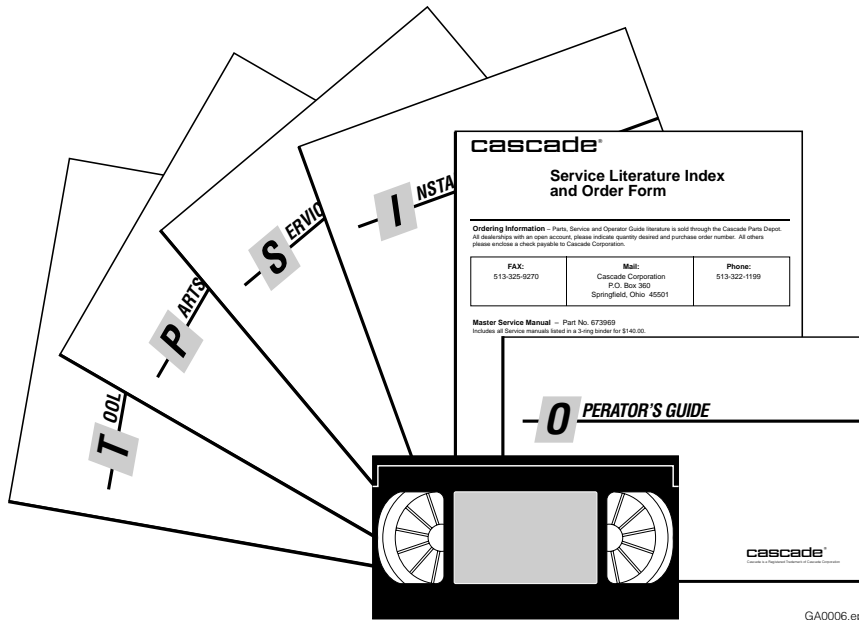
To Order Parts call: 888-227-2233, Fax: 888-329-0234

OR

Write: Cascade Corporation, P.O. Box 20187, Portland, OR 97220

Internet: www.cascorp.com

Publications



GA0006.eps

| PART NO. | DESCRIPTION |
|----------|---------------------------------|
| | Parts Manual |
| 686455 | Service Manual |
| 684945 | Operators Guide |
| 685531 | Operators Pocket Guide |
| 684944 | Installation Instructions |
| 680664 | Servicing Cascade Cylinders-VHS |
| 679929 | Tool Catalog |
| 673964 | Literature Index Order Form |

Decals



Optional Faceplate Extension



Part No. 679150
(1 Place & 1 optional)



Part No. 665595
(2 Place & 2 optional)



Part No. 656038
(6 Places)

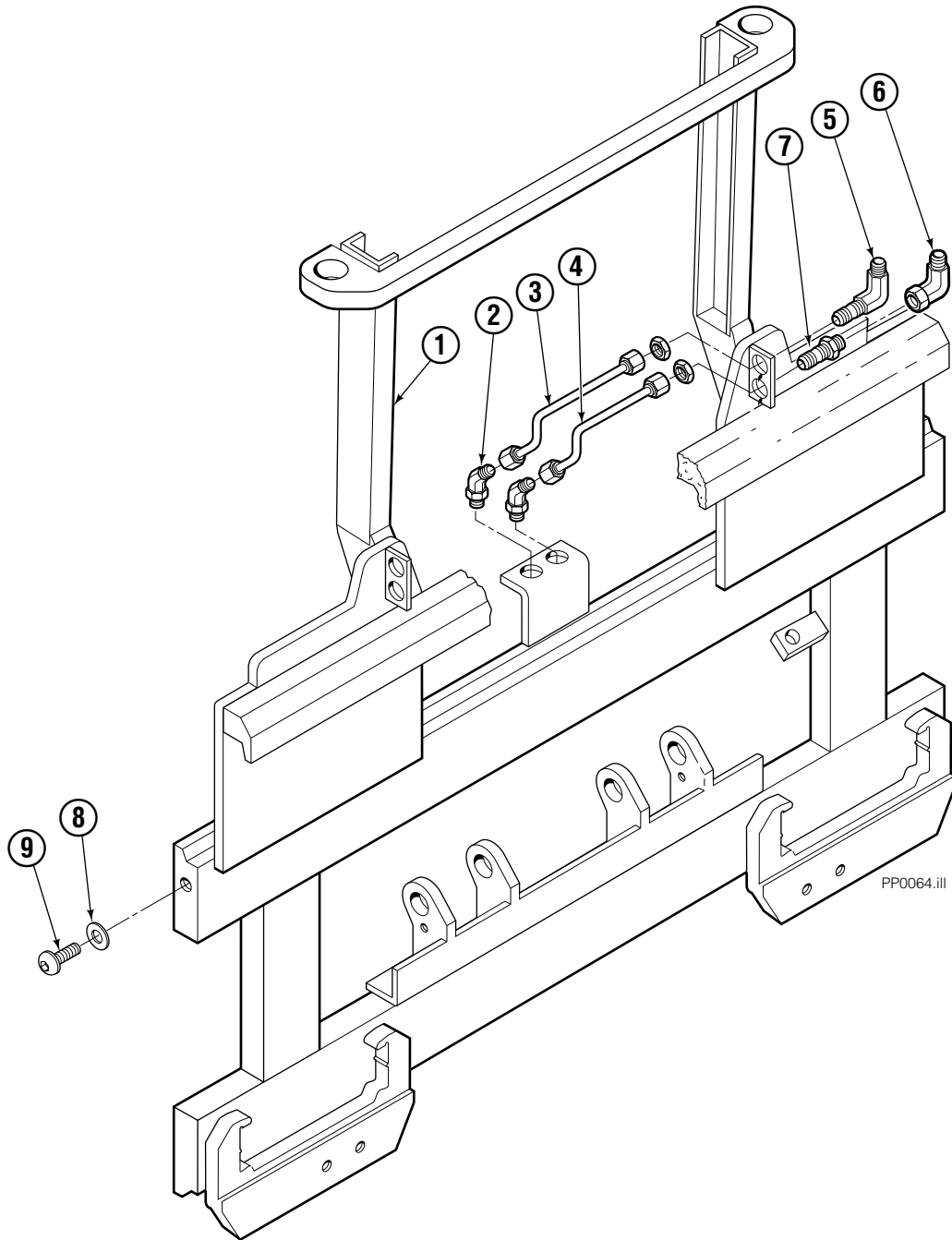


Part No. 679059
(1 Place if equipped with Quick Change Hooks)



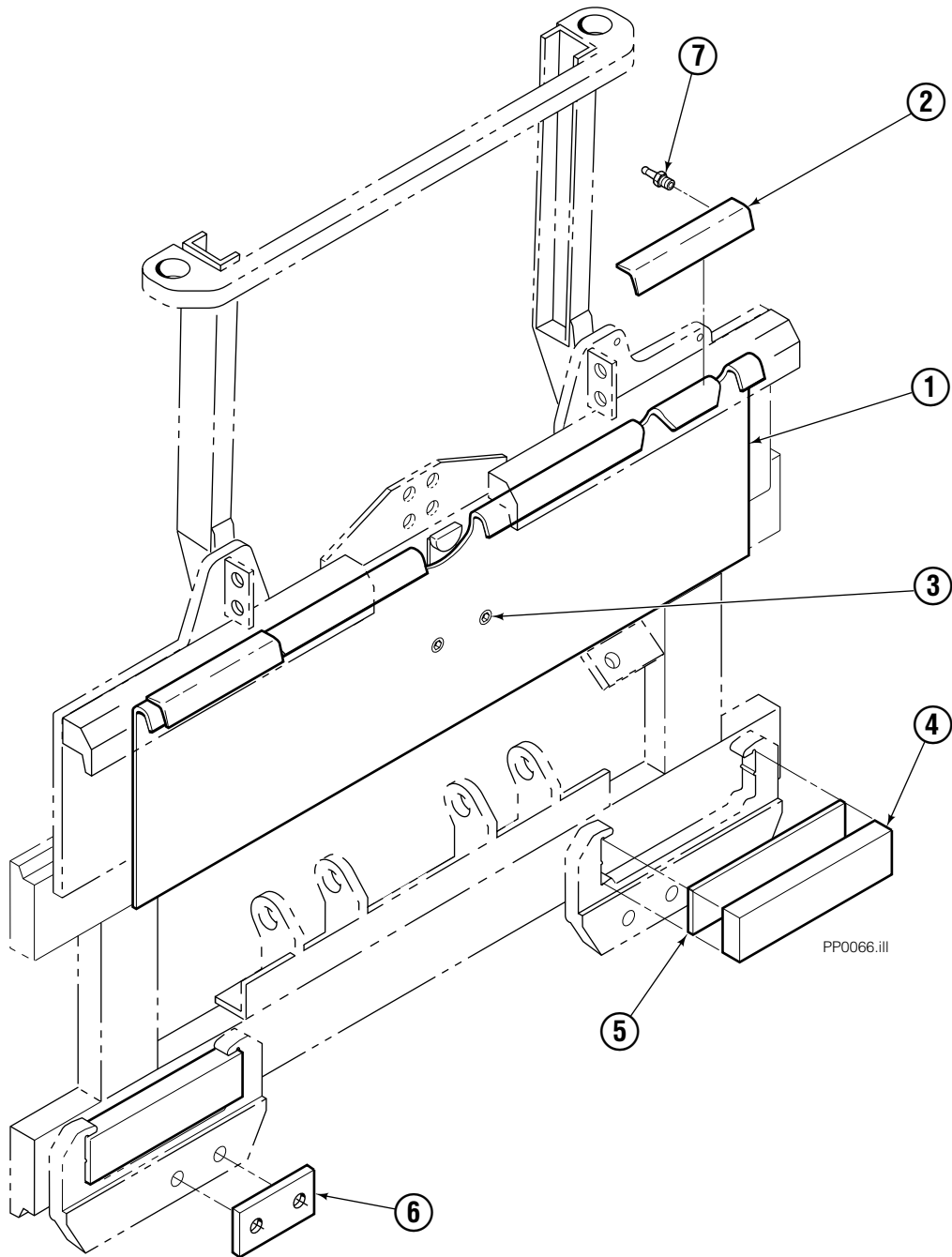
PP0060.iii

Frame Group ITA III



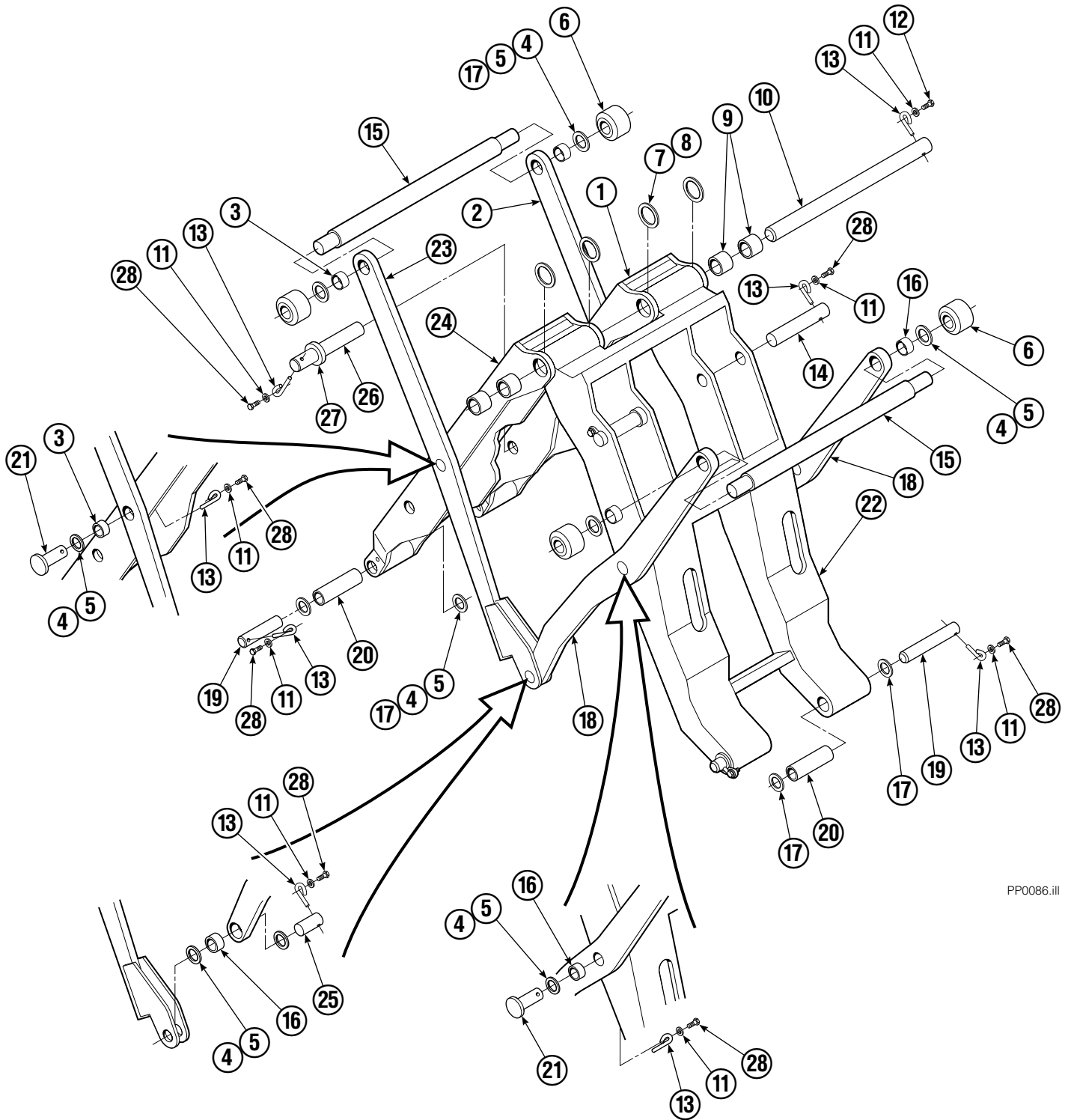
| 45E | | | |
|-----|-----|----------|----------------------------|
| REF | QTY | PART NO. | DESCRIPTION |
| | | 395160 | Frame Group |
| 1 | 1 | 397977 | Frame |
| 2 | 2 | 2492 | Fitting, 6-6 |
| 3 | 1 | 682992 | Tube |
| 4 | 1 | 682991 | Tube |
| 5 | 1 | 2453 | Fitting, 6-6 |
| 6 | 1 | 2680 | Fitting, 6-6 |
| 7 | 1 | 2375 | Fitting, 6-6 |
| 8 | 2 | 683001 | Washer |
| 9 | 2 | 683142 | Capscrew |
| 10 | 2 | 7401 | Grease Fitting (not shown) |

Non S/S Mounting Group ITA III



| 45E | | | |
|-----|-----|----------|-----------------|
| REF | QTY | PART NO. | DESCRIPTION |
| | | 682834 | Mounting Group |
| 1 | 1 | 682552 | Anchor Bracket |
| 2 | 1 | 672018 | Bearing Segment |
| 3 | 2 | 768759 | Setscrew |
| 4 | 2 | 682814 | Bearing |
| 5 | 2 | 683250 | Strip |
| 6 | 2 | 683218 | Spacer |
| 7 | 4 | 7403 | Grease Fitting |

Mechanism Group



PP0086.iii

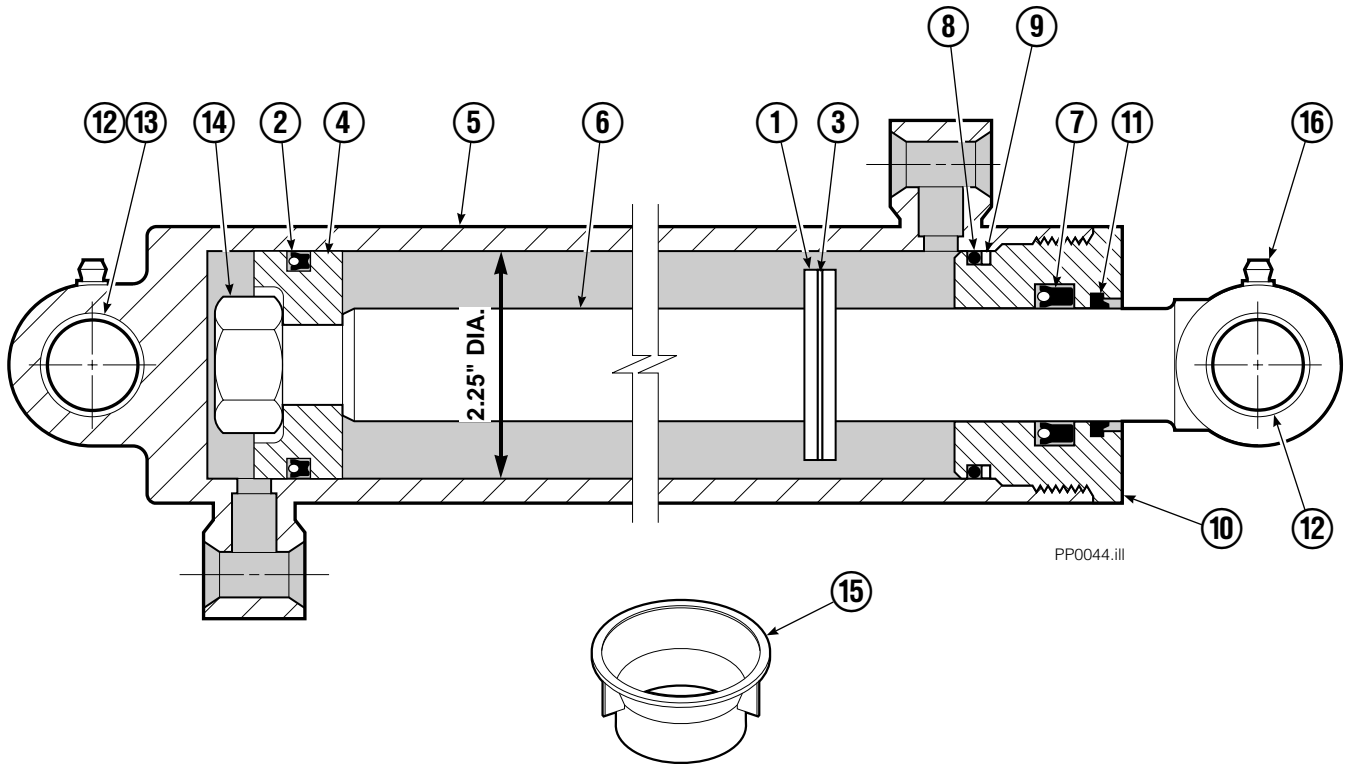
Mechanism Group

39" - Up to 50" Stroke

| 35E/45E | | | |
|----------------|-----|----------|----------------------------|
| REF | QTY | PART NO. | DESCRIPTION |
| | | 378735 | Mechanism Group |
| 1 | 1 | 378367 | Arm – Inner Secondary RH |
| 2 | 1 | 204692 | Arm – Secondary Outer RH |
| 3 | 4 | 683154 | ■ Bushing |
| 4 | ● | 683161 | Shim (.030) |
| 5 | ● | 683162 | Shim (.060) |
| 6 | 4 | 205070 | Roller |
| 7 | ● | 683163 | Shim (.030) |
| 8 | ● | 683164 | Shim (.060) |
| 9 | 4 | 683155 | ■ Bushing |
| 10 | 1 | 682821 | Pin |
| 11 | 15 | 6229 | Washer |
| 12 | 2 | 685661 | Capscrew |
| 13 | 15 | 689954 | Eye – Pin |
| 14 | 2 | 682822 | Pin – Head |
| 15 | 2 | 205065 | Shaft |
| 16 | 6 | 683153 | ■ Bushing |
| 17 | ● | 204532 | Shim (.12) |
| 18 | 2 | 204694 | Arm – Outer Primary |
| 19 | 4 | 204533 | Pin – Frame |
| 20 | 4 | 204535 | ■ Bushing |
| 21 | 4 | 204695 | Pin |
| 22 | 1 | 378365 | Arm – Inner Primary |
| 23 | 1 | 204693 | Arm – Secondary Outer LH |
| 24 | 1 | 378366 | Arm – Inner Secondary LH |
| 25 | 2 | 204696 | Pin – Outer |
| 26 | 2 | 682823 | Pin – Rod |
| 27 | 2 | 683165 | Spacer |
| 28 | 13 | 767961 | Capscrew |
| 29 | 6 | 7401 | Grease Fitting (not shown) |

- Quantity as required.
- Included in Bushing Service Kit 205075.

Cylinder



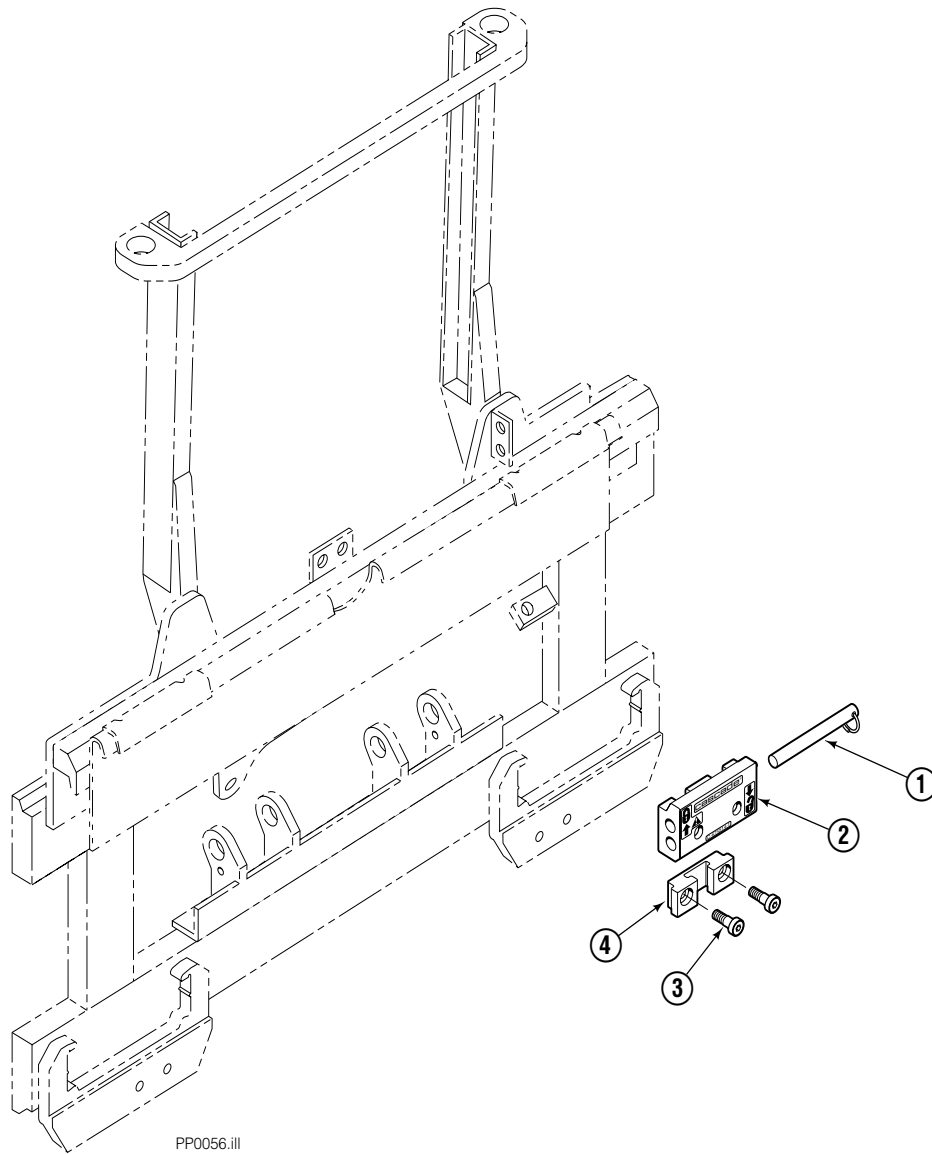
| REF | QTY | PART NO. | DESCRIPTION |
|-----|-----|----------|---------------------|
| | | 358091 | Cylinder Assembly ● |
| 1 | 1 | – | Spacer |
| 2 | 1 | 564159 | Seal ■ |
| 3 | 1 | – | Snap Ring |
| 4 | 1 | 564161 | Piston |
| 5 | 1 | 562717 | Shell |
| 6 | 1 | 558626 | Rod |
| 7 | 1 | 662448 | Seal ■ |
| 8 | 1 | 2787 | O-Ring ■ |
| 9 | 1 | 615130 | Back-Up Ring ■ |
| 10 | 1 | 558628 | Retainer |
| 11 | 1 | 636853 | Wiper ■ |
| 12 | 4 | 559697 | Bearing |
| 13 | 1 | 559698 | Spacer |
| 14 | 1 | 678019 | Nut |
| 15 | 1 | 671048 | Seal Loader Kit ■ |
| 16 | 2 | 7401 | Grease Fitting |

● Cylinder 582636 machined (358093) to add two zerk fittings.

■ Included in Service Kit 562339.

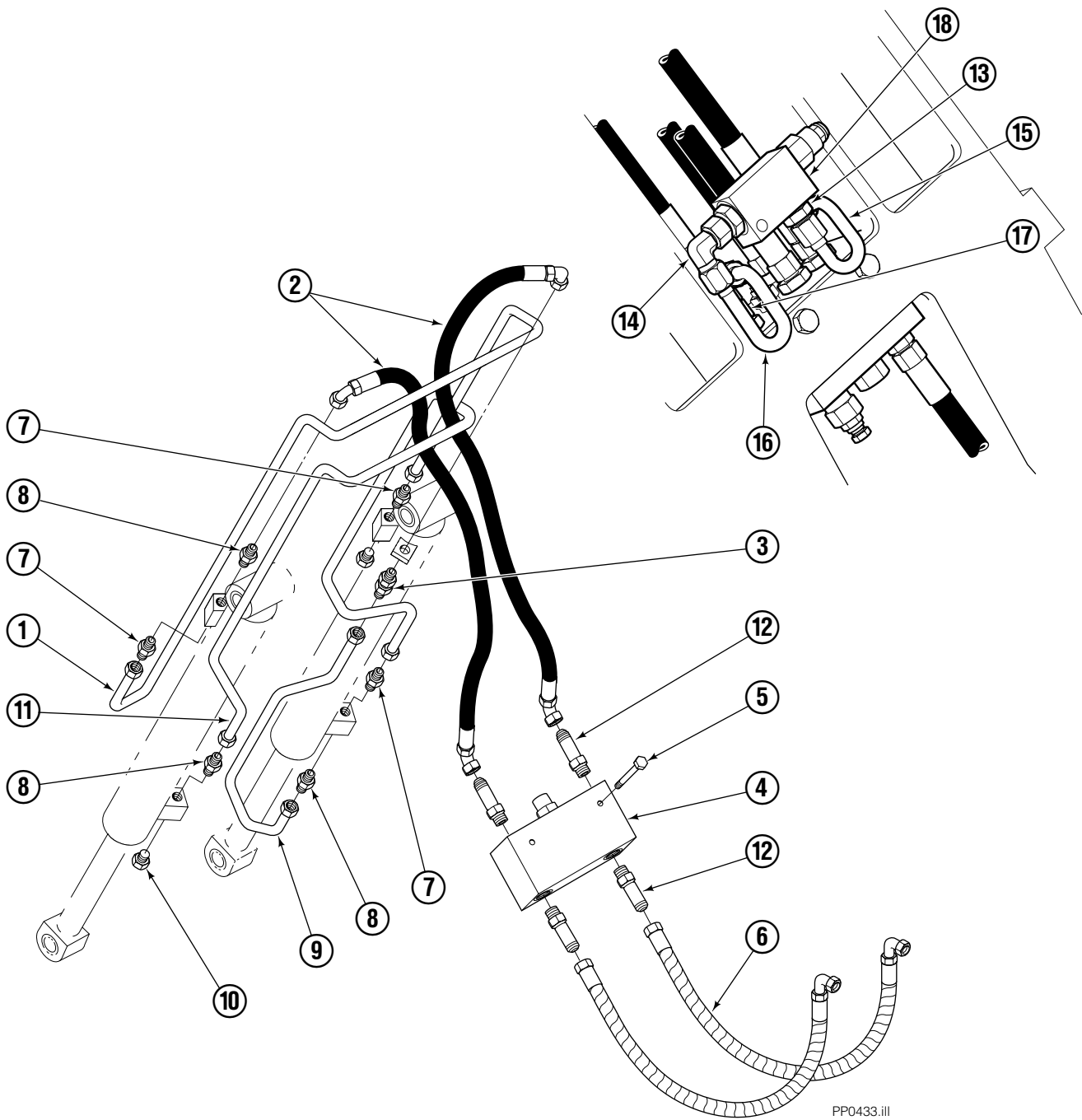
Reference: S-8434

Quick-Change Lower Hook Group – ITA III



| REF | QTY | PART NO. | DESCRIPTION |
|-----|-----|----------|--------------------------|
| | | 683181 | Lower Hook Group ITA III |
| 1 | 2 | 678832 | Pin |
| 2 | 2 | 675957 | Hook |
| 3 | 4 | 779019 | Capscrew, M16 x 35 |
| 4 | 2 | 675958 | Guide |

Hydraulic Group



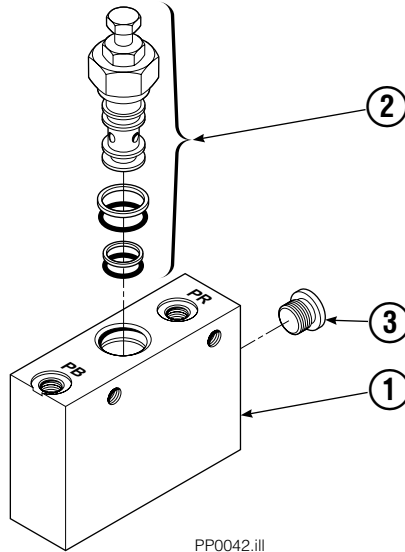
PP0433.ill

| REF | QTY | PART NO. | DESCRIPTION | REF | QTY | PART NO. | DESCRIPTION |
|-----|-----|----------|-------------------------|-----|-----|----------|----------------|
| | | 395161 | Hydraulic Group ITA III | 10 | 2 | 604510 | Plug, 6 |
| 1 | 1 | 200649 | Tube | 11 | 1 | 200648 | Tube |
| 2 | 2 | 683173 | Hose | 12 | 4 | 605743 | Fitting, 6-6 |
| 3 | 1 | 2375 | Fitting, 6-6 | 13 | 2 | 611288 | Fitting, 6-8 |
| 4 | 1 | 688384 | Valve ▲ | 14 | 1 | 2680 | Fitting, 6-6 |
| 5 | 2 | 763166 | Capscrew, M8x1.25x25 | 15 | 1 | 395102 | Tube |
| 6 | 2 | 685981 | Hose | 16 | 1 | 395107 | Tube |
| 7 | 4 | 605235 | Fitting, 5-6 | 17 | 2 | 611329 | Fitting 6-6 |
| 8 | 4 | 670579 | Fitting, 6-6 | 18 | 1 | 661674 | Valve Assembly |
| 9 | 1 | 200647 | Tube | | | | |

▲ See Valve page for parts breakdown.

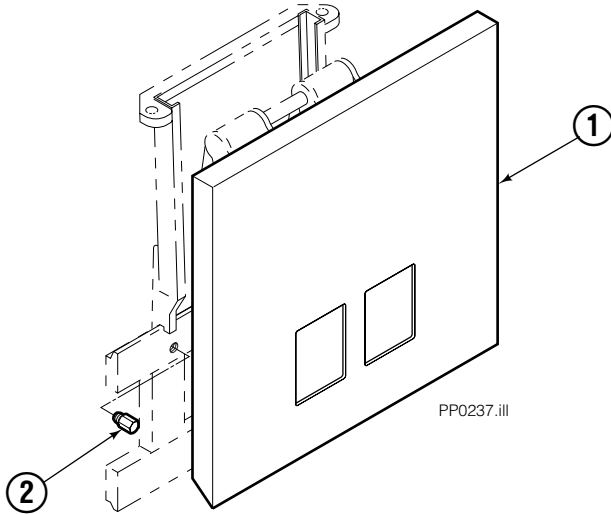
Reference: 200581 Hydraulic Group

Valve Load Push



| 35E/45E | | | |
|---------|-----|----------|----------------|
| REF | QTY | PART NO. | DESCRIPTION |
| | | 688384 | Valve Assembly |
| 1 | 1 | 688385 | Body |
| 2 | 1 | 687224 | Relief Valve |
| 3 | 2 | 663694 | Fitting, 3 |

Faceplate Group Push



| REF | QTY | PART NO. | DESCRIPTION |
|-----|-----|----------|----------------------|
| | | 397229 | Faceplate Group |
| 1 | 1 | 398725 | Faceplate, 40x40 in. |
| 2 | 2 | 682850 | Stop |

Do you have questions you need answered right now? Call your nearest Cascade Parts Department.

Cascade Corporation
2501 Sheridan Avenue
Springfield, OH 45505
Tel: 888-CASCADE (227-2233)
FAX: 888-329-0234
www.cascorp.com

Cascade Canada Inc.
5570 Timberlea Blvd.
Mississauga, Ontario
Canada L4W-4M6
Tel: 905-629-7777
FAX: 905-629-7785

Cascade GmbH
D-41199 Monchengladbach
Klosterhofweg 52
Germany
Tel: 21-66-602091
FAX: 21-66-680947

Cascade Finland
01370 Vantas
Finland
Tel: 358-0-836-1925
FAX: 358-0-836-1935

**Cascade N.V.
European Headquarters**
P.O. Box 3009
1300 El Almere
Damsluisweg 56
1332 ED Almere
The Netherlands
Tel: 31-36-5492911
FAX: 31-36-5492964

**Cascade N.V.
Benelux Sales and Service**
P.O. Box 3009
1300 El Almere
Damsluisweg 56
1332 ED Almere
The Netherlands
Tel: 31-36-5492950
FAX: 31-36-5492974

Cascade (UK) Ltd.
15, Orgreave Crescent
Dore House Industrial Estate
Handsworth
Sheffield S13 9NQ
England
Tel: 742-697524
FAX: 742-695121

**Cascade Scandinavia
Hydraulik A.B.**
Muskötgatan 19, E8-9
S25466 Helsingborg
Sweden
Tel: 42-151135
FAX: 42-152997

Cascade Norway
Østerliveien 37A
1153 Oslo
Norway
Tel: 47-22-743160
FAX: 47-22-743157

Cascade France S.A.R.L.
11, Rue Jean Charcot
Zone Industrielle Sud or
B.P. 22
91421 Morangis Cedex
France
Tel: 1- 64547501
FAX: 1-9790584

Cascade Hispania S.A.
Avenida De La Fabregada, 7
Hospitalet De Llobregat
Barcelona
Spain
Tel: 3-335-5158
FAX: 3-335-4756

Cascade Japan Ltd.
5-5-41,
Torikai Kami
Settsu, Osaka
Japan, 566
Tel: 81-726-53-3490
FAX: 81-726-53-3497

Cascade Korea
Room 508, Pum Yang Bldg.
750-14, Bang Bac-Dong
Se-Cho Ku, Seoul
Korea
Tel: 2599-7131 ext. 512
FAX: 2533-8089

HYCO-Cascade Pty. Ltd.
1445 Ipswich Road
Rocklea,
Queensland 4107
Australia
Tel: 3-274-2722
FAX: 3-274-3456

HYCO-Cascade (NZ) Ltd.
15 Ra Ora Drive, East Tamaki
P.O. Box 38-440
Howick, Auckland
New Zealand
Tel: 9-273-9136
FAX: 9-273-9137

Cascade (Africa) Pty. Ltd.
P.O. Box 625, Isando 1600
60A Steel Road
Sparton, Kempton Park
South Africa
Tel: 975-9240
FAX: 394-1147

Cascade-Xiamen
No. 668 Yangguang Rd.
Xinyang Industrial Zone
Haicang, Xiamen
Fujian Province
P.R. China 361026
Tel: 592-651-2500
FAX: 592-651-2571

**Cascade (Singapore)
Trading Co.**
Four Seasons Park
Autumn Block - Apt. 1802
12 Cascaden Walk
Singapore
Tel: 65-834-1935
FAX: 65-834-1936

