



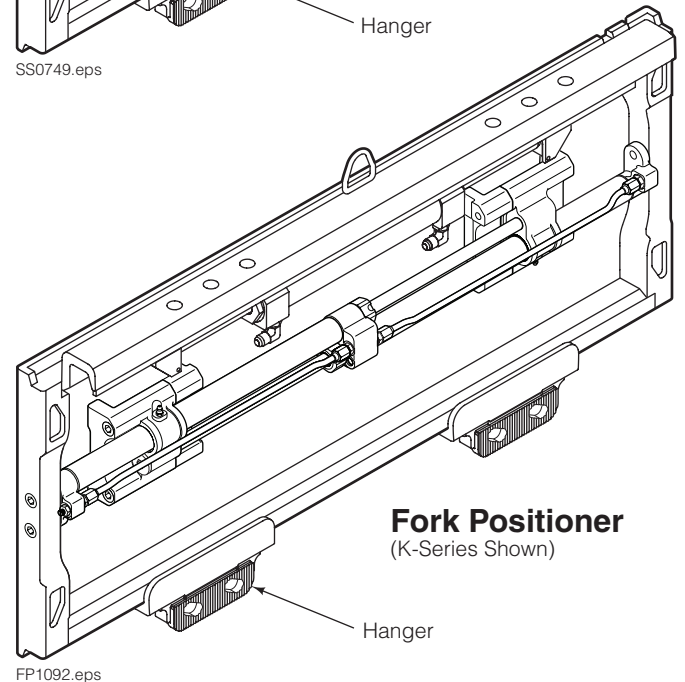
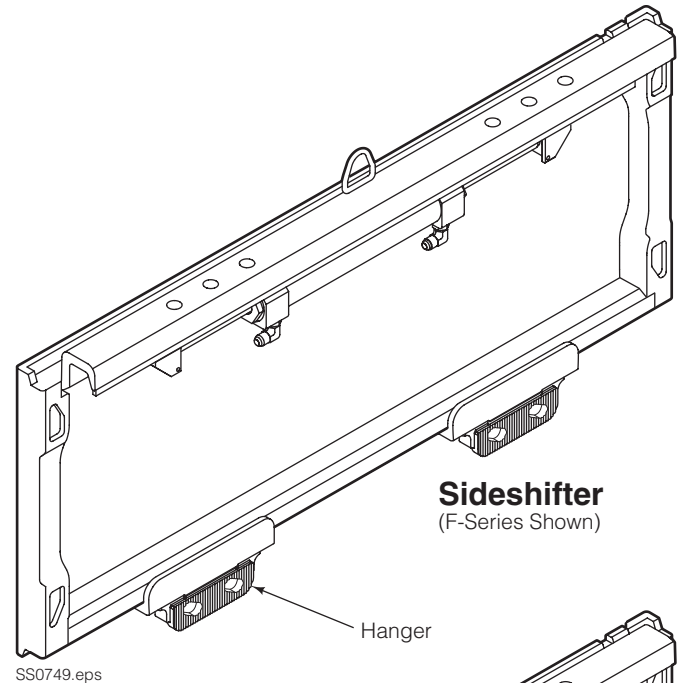
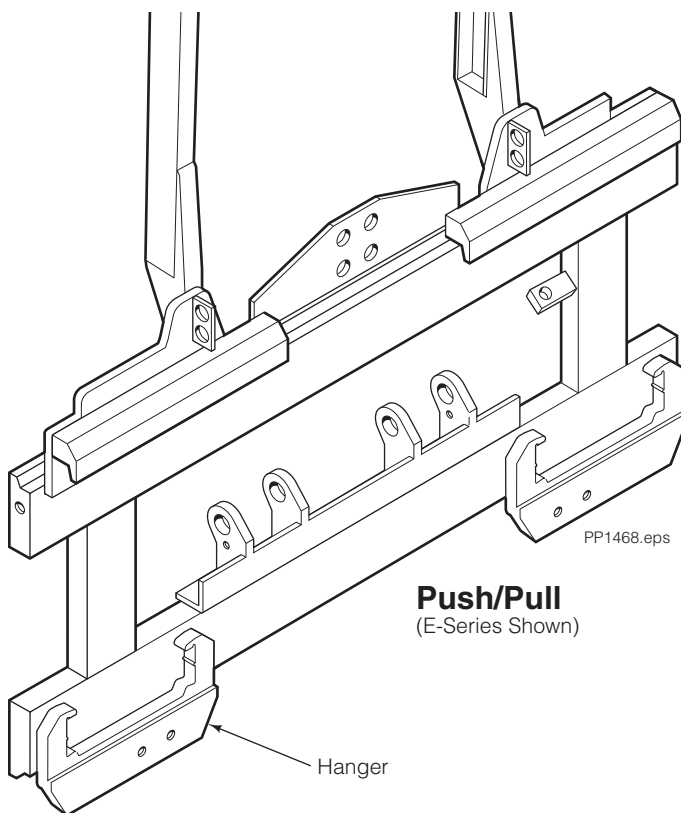
Technical Bulletin

Damaged Lower Hook Hanger

This sheet provides information on the process for replacing a damaged lower hanger for Cascade attachments: Sideshifter, Push/Pull, or Fork Positioner.

Fill out the order form and release of liability on the back of this page to obtain parts to repair the lower hook hanger. Contact Cascade Service Department if you have any questions.

Refer to Installation Instructions Lower Hook Hanger Field Installation (part number 209686) for installing new hooks.



NOTE: This information should not be interpreted as the basis for warranty claims unless so designated.

cascade[®]
corporation

For Technical Support . . .

Call: 1-800-CASCADE (227-2233)

OR

Write: Cascade Corporation, PO Box 20187, Portland, OR 97294-0187

© Cascade Corporation 2007

To Order Parts . . .

Call: 1-888-CASCADE (227-2233)

OR

Write: Cascade Corporation, 2501 Sheridan Ave., Springfield, OH 45505

06-2007

Part No. 6078510-R1



**LOWER HANGER ORDER FORM
AND
RELEASE OF LIABILITY**

You have advised Cascade that a lower hanger is damaged from an impact and needs replacement.

To order a replacement part, fill out the following form and fax to Cascade at 1-800-693-6768. Be sure to send the fax in attention to the Service Department.

Dealer Name: _____

Dealer Address: _____

Dealer Management Representative: _____

Unit to be repaired:

Catalog Number: _____

Serial Number: _____

PO Number: _____

We, (Dealer Name) _____, **assume all liability** for the proper placement and welding integrity of the lower hangers furnished on this order.

Signed (Dealer Management Rep): _____

Title: _____ Date: _____

Cascade File _____ S8 (Cascade will complete this portion)