



Parts Manual

Model QFM Sheet-Sav Push/Pull

Serial Number 35E-QPA-135

cascade[®]
corporation

For Technical Assistance call: 800-227-2233, Fax: 888-329-8207

To Order Parts call: 888-227-2233, Fax: 888-329-0234

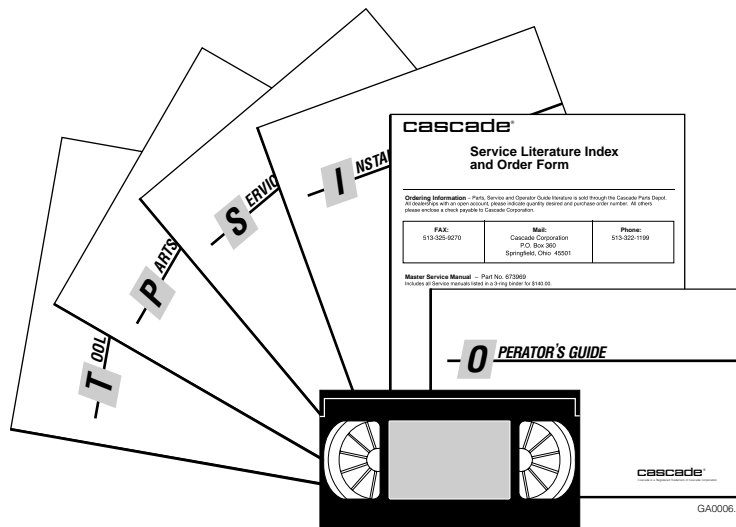
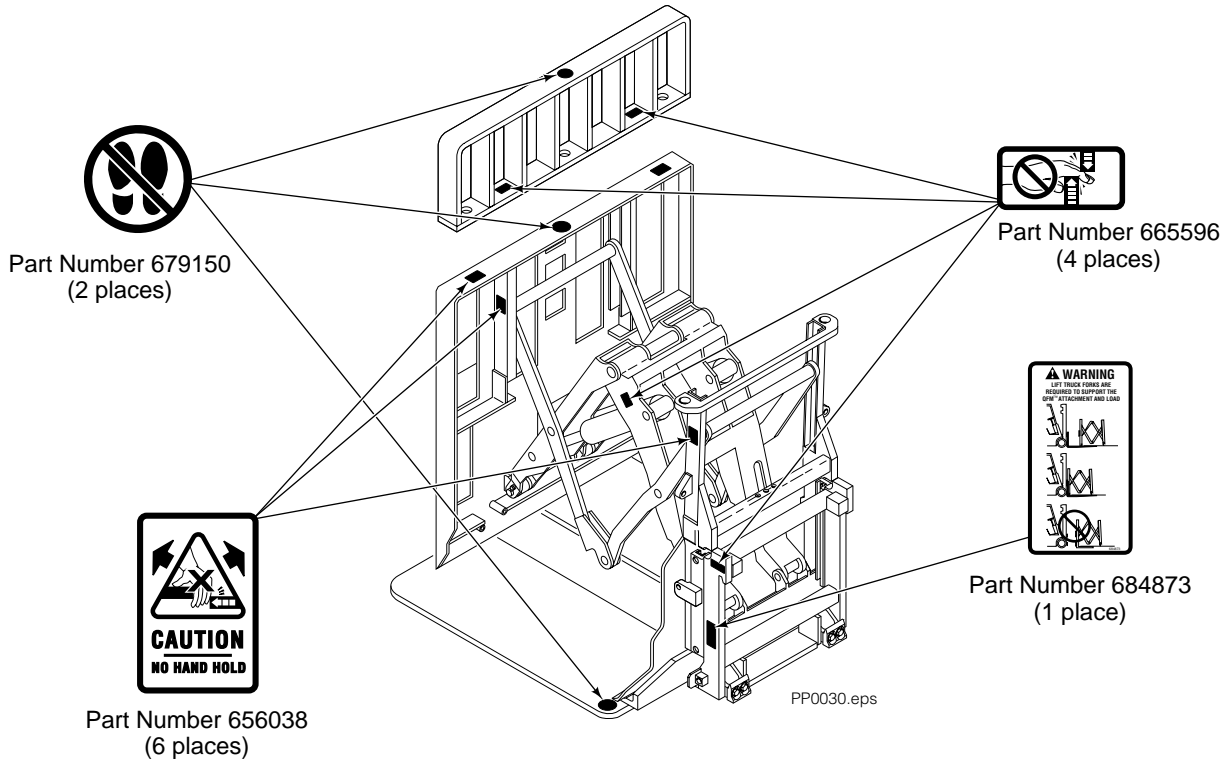
OR

Write: Cascade Corporation, P.O. Box 20187, Portland, OR 97220

Internet: www.cascorp.com

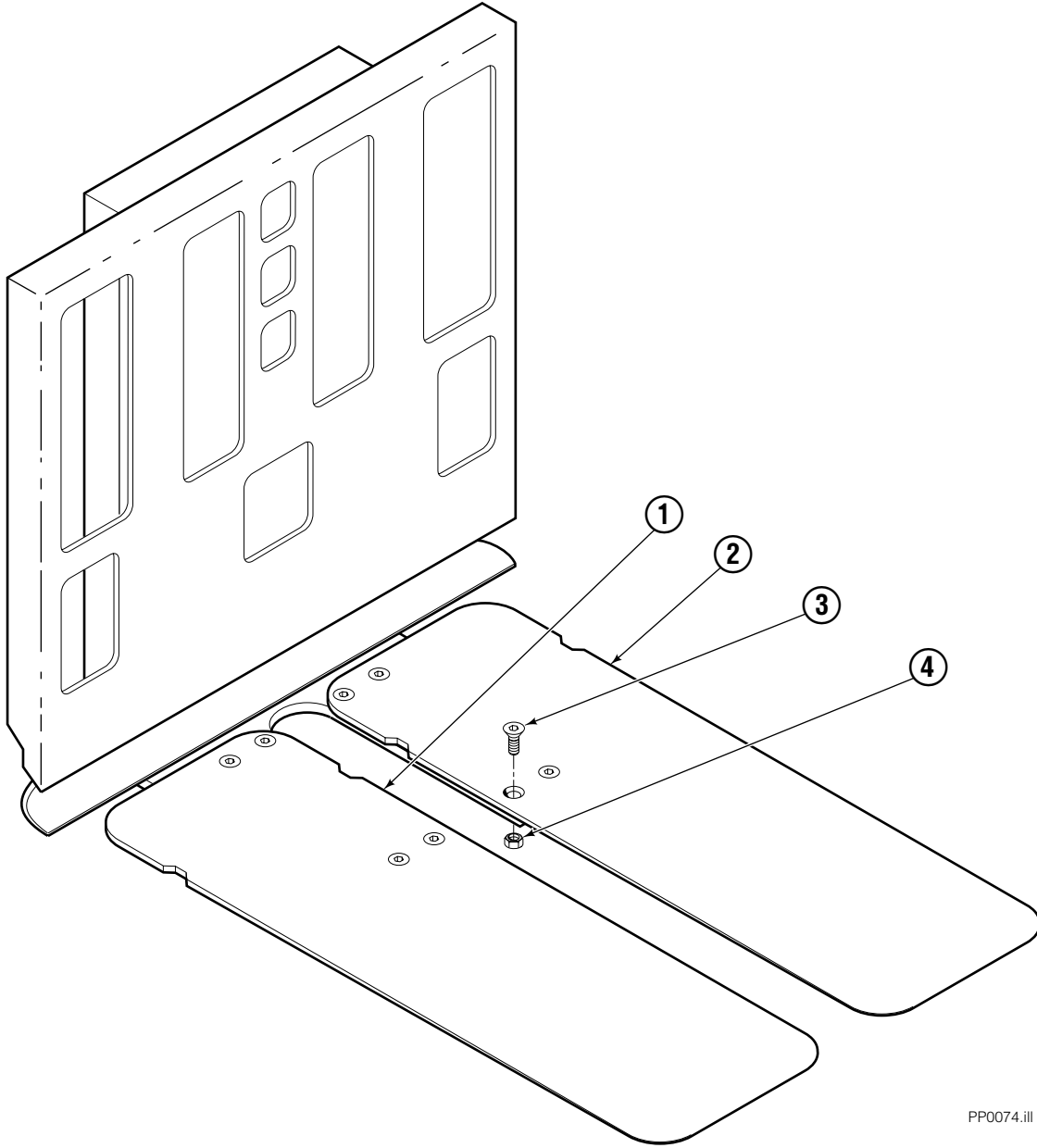
Decals

35E/45E QFM™ Sheet-Sav



PART NO.	DESCRIPTION
686455	Service Manual
684945	Operators Guide
685531	Operators Pocket Guide
684948	Installation Instructions
680664	Servicing Cascade Cylinders-VHS
679929	Tool Catalog
673964	Literature Index Order Form

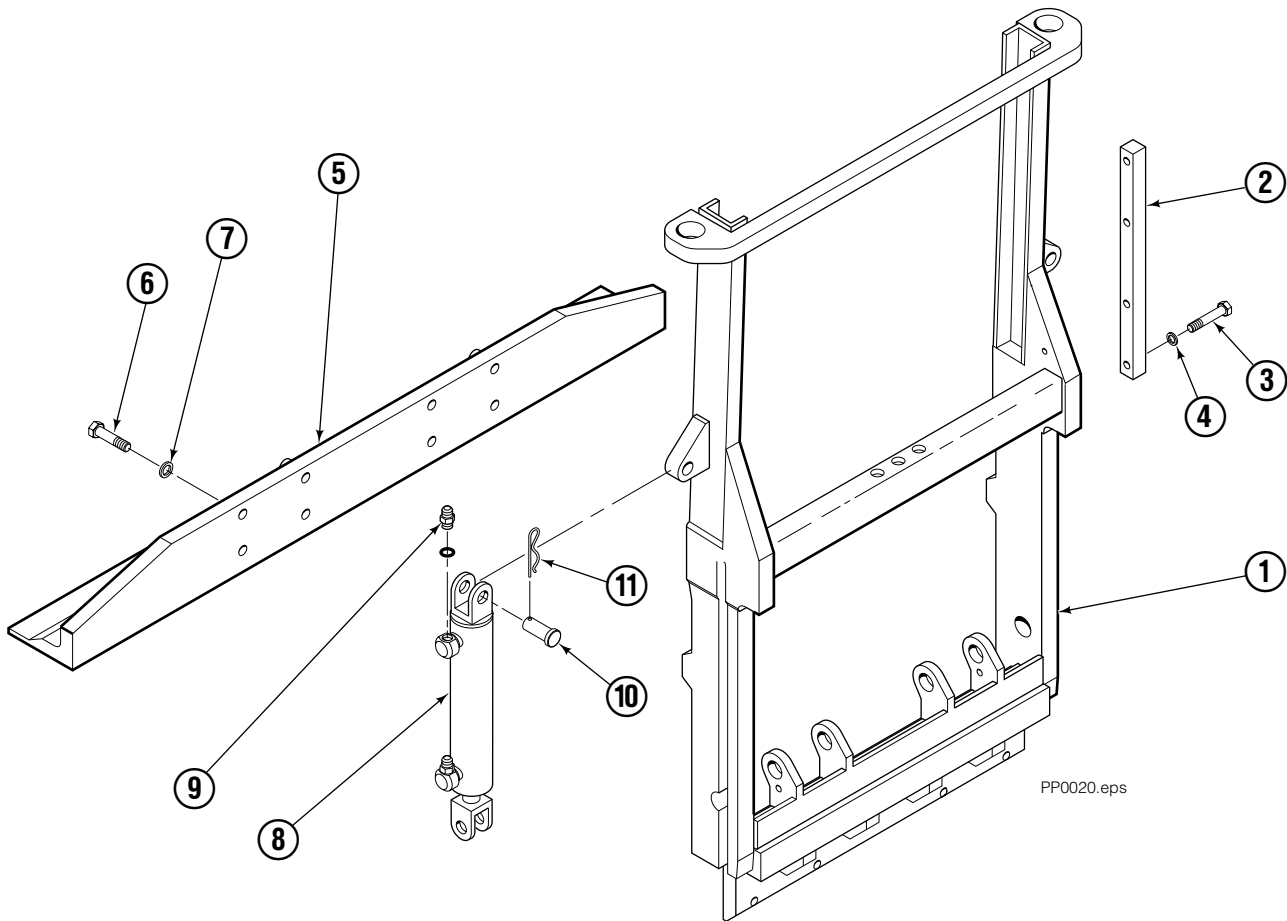
QFM Platens



PP0074.iii

35E			
REF	QTY	PART NO.	DESCRIPTION
		207016	Platen Group – 18"x48"
1	1	207018	Platen – 18"x48" RH
2	1	207017	Platen – 18"x48" LH
3	8	768705	Capscrew
4	8	773842	Nut

Frame Group

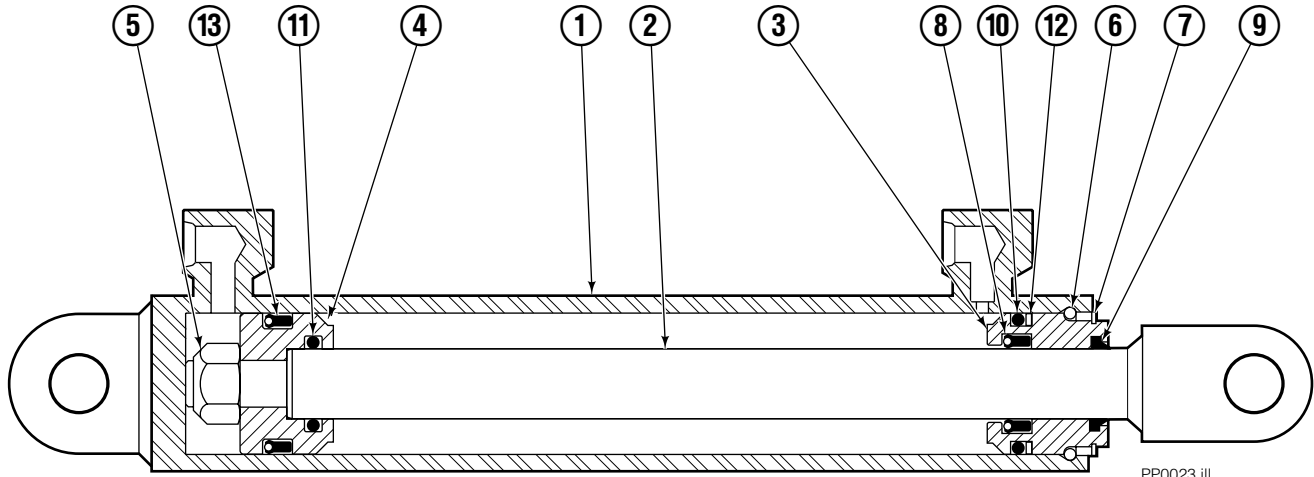


35E/45E

REF	QTY	PART NO.	DESCRIPTION
		206950	Frame Group
1	1	206945	Frame
2	1	206954	Bar
3	2	768525	Capscrew
4	2	686119	Washer
5	1	206955	Foot
6	8	766929	Capscrew
7	8	678991	Lockwasher
8	2	583942	Cylinder ■
9	4	617915	Fitting, 4-4
10	4	678525	Pin-Clevis
11	4	672726	Cotter Pin

■ See Cylinder page for parts breakdown.

Sheet-Sav Cylinder



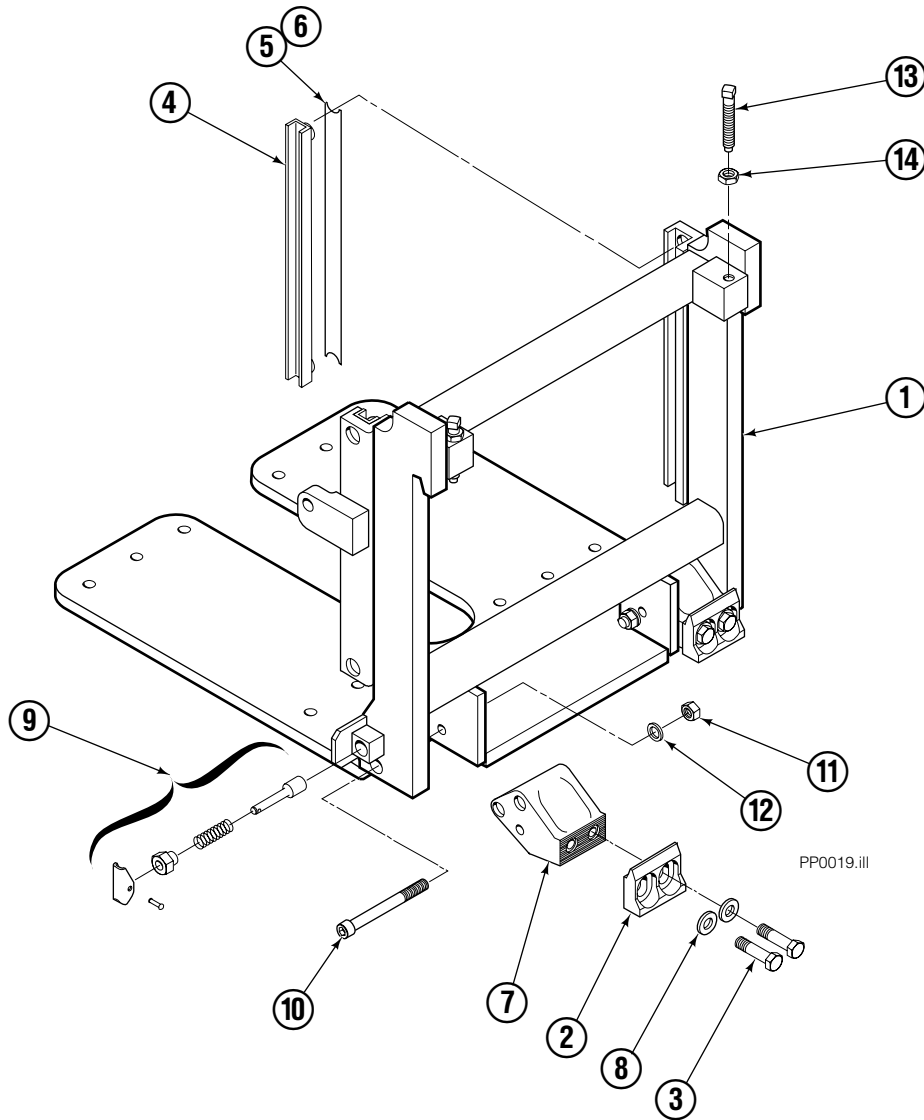
PP0023.ill

35E/45E

REF	QTY	PART NO.	DESCRIPTION
		583942	Cylinder Assembly
1	1	564162	Shell
2	1	564165	Rod
3	1	685664	Retainer
4	1	685665	Piston
5	1	563462	Nut
6	1	563916	Seal
7	1	3137	Retaining Ring
8	1	646540	■ Seal
9	1	636850	■ Wiper
10	1	2718	■ O-Ring
11	1	2710	■ O-Ring
12	1	615122	■ Back-up Ring
13	1	663728	■ Seal

■ Included in Service Kit 684827.

QFM™ Platen Carrier Group

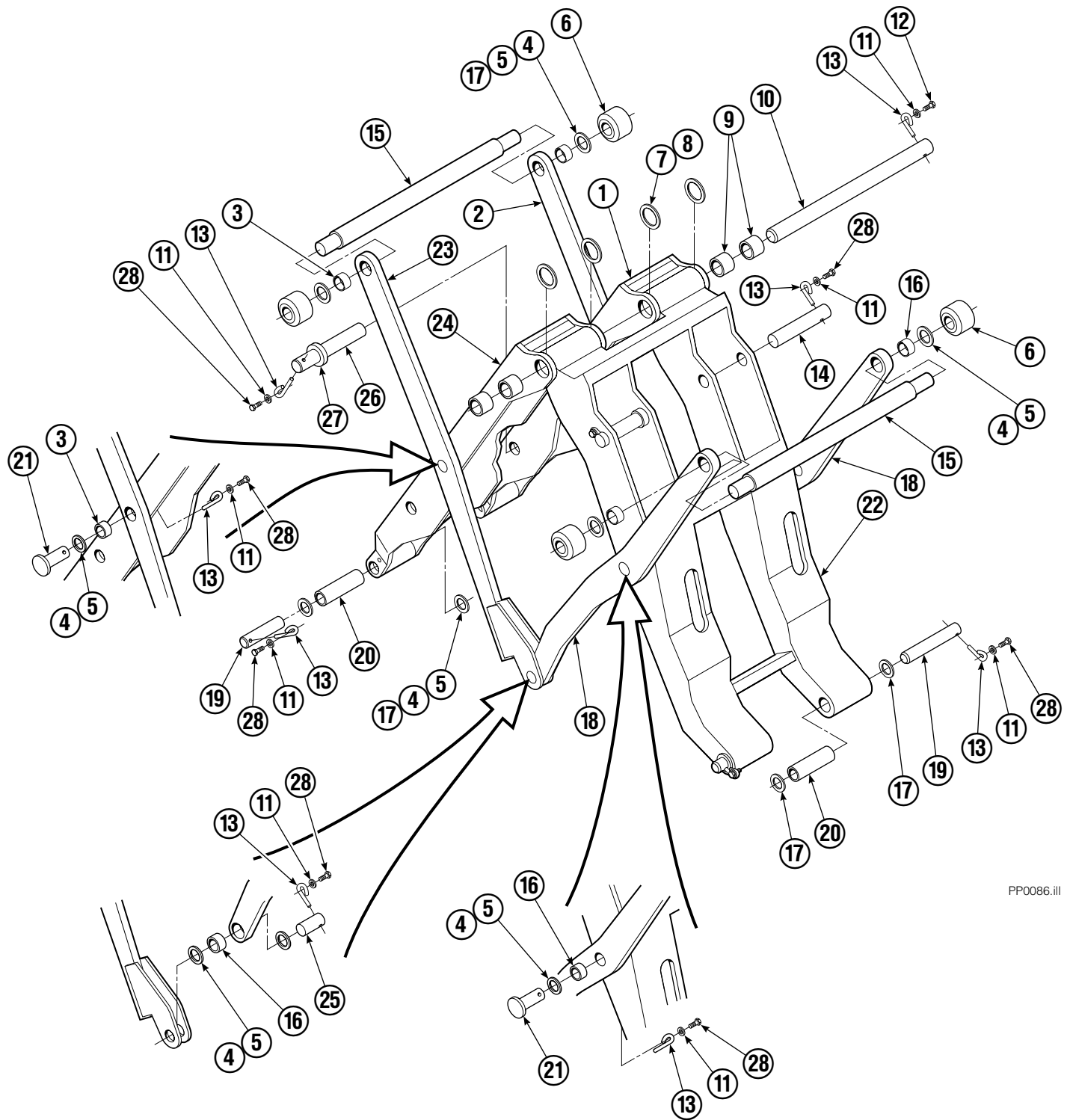


35E/45E

REF	QTY	PART NO.	DESCRIPTION	REF	QTY	PART NO.	DESCRIPTION
		207000	Platen Carrier Group ITA II	8	4	667910	Washer
1	1	207001	Platen Carrier ITA II	9	2	683189	Pin Assembly
2	2	676280	Hook ITA II	10	2	768837	Capscrew
3	4	768554	Capscrew ITA II	11	2	763025	Nut
4	2	206964	Bearing	12	2	681473	Lockwasher
5	■	674298	Shim (.015)	13	2	204938	Set Screw
6	■	674299	Shim (.020)	14	2	5930	Nut
7	2	683188	Pivot-Hook				

■ As required (1 maximum).

Mechanism Group



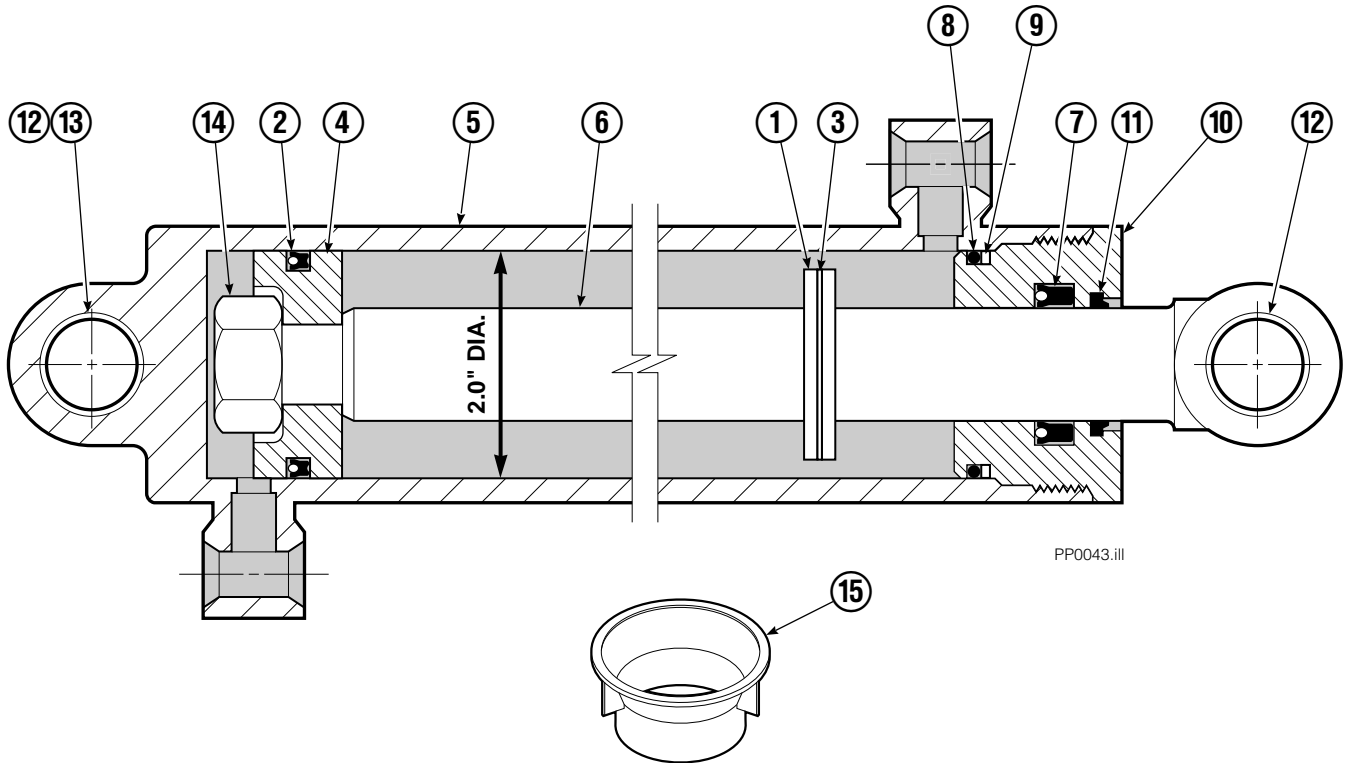
PP0086.ill

Mechanism Group

35E/45E			
REF	QTY	PART NO.	DESCRIPTION
		204644	Mechanism Group
1	1	204691	Arm-Inner Secondary R. H.
2	1	204692	Arm-Secondary Outer R. H.
3	4	683154	■ Bushing
4	●	683161	Shim (.030)
5	●	683162	Shim (.060)
6	4	205070	Roller
7	●	683163	Shim (.030)
8	●	683164	Shim (.060)
9	4	683155	■ Bushing
10	1	682821	Pin
11	15	6229	Washer
12	2	685661	Capscrew
13	15	682999	Eye-Pin
14	2	682822	Pin-Head
15	2	205065	Pin
16	6	683153	■ Bushing
17	●	204532	Shim (.12)
18	2	204694	Arm-Outer Primary
19	4	204533	Pin-Frame
20	4	204535	■ Bushing
21	4	204695	Pin
22	1	204604	Arm-Inner Primary
23	1	204693	Arm-Secondary Outer L. H.
24	1	204690	Arm-Inner Secondary L. H.
25	2	204696	Pin-Outer
26	2	682823	Pin-Rod
27	2	683165	Spacer
28	13	767961	Capscrew

- Quantity as required.
- Included in Bushing Service Kit 205075.

Cylinder



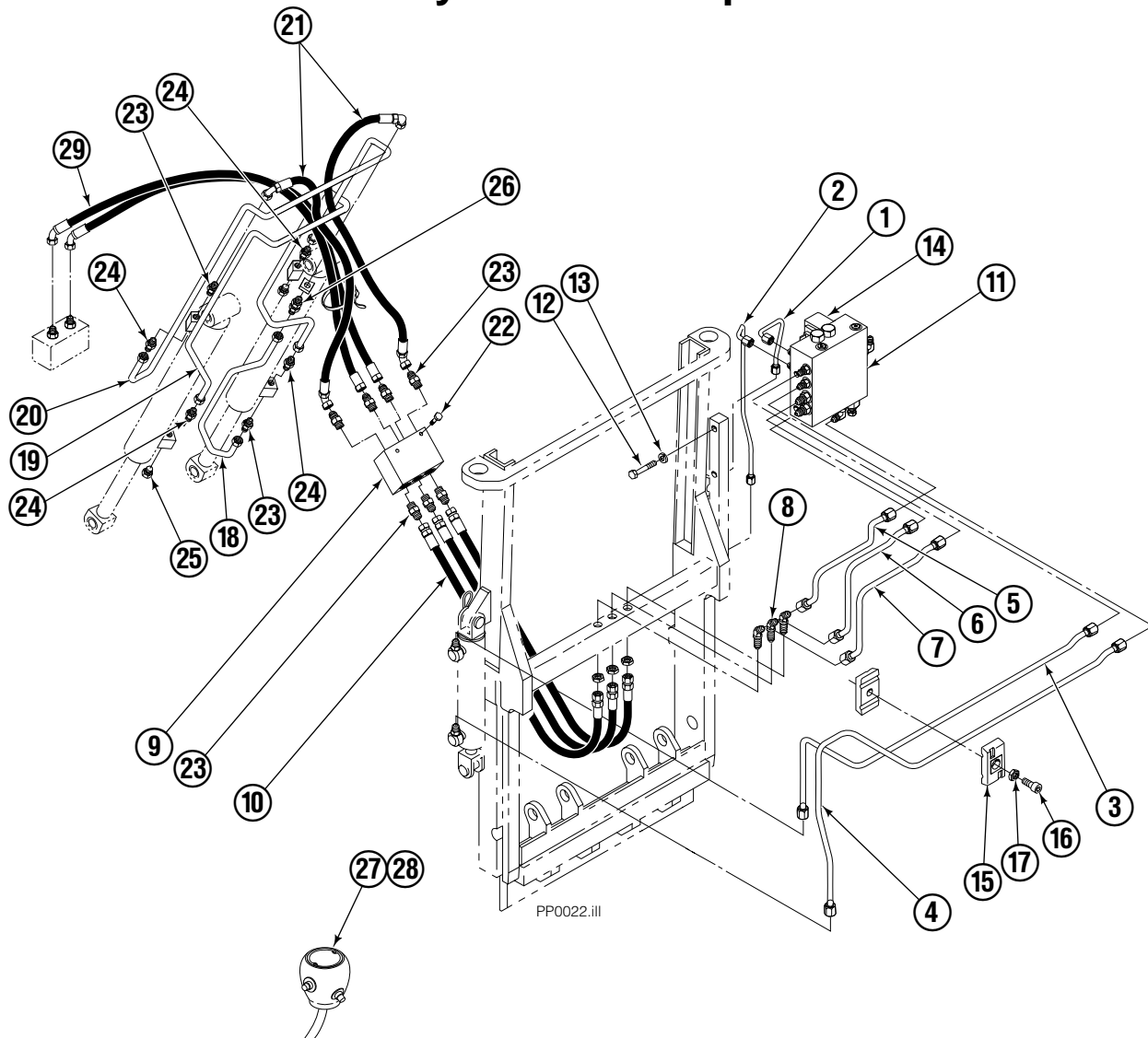
PP0043.ill

REF	QTY	PART NO.	DESCRIPTION
		582635	Cylinder Assembly
1	1	—	Spacer
2	1	562552	■ Seal
3	1	7348	Snap Ring
4	1	562334	Piston
5	1	562716	Shell
6	1	558626	Rod
7	1	559705	■ Seal
8	1	2785	■ O-Ring
9	1	615128	■ Back-Up Ring
10	1	559696	Retainer
11	1	636853	■ Wiper
12	4	559697	Bearing
13	1	559698	Spacer
14	1	678019	Nut
15	1	671047	■ Seal Loader Kit

■ Included in Service Kit 562338.

Reference: S-3424.

Hydraulic Group



35E/45E

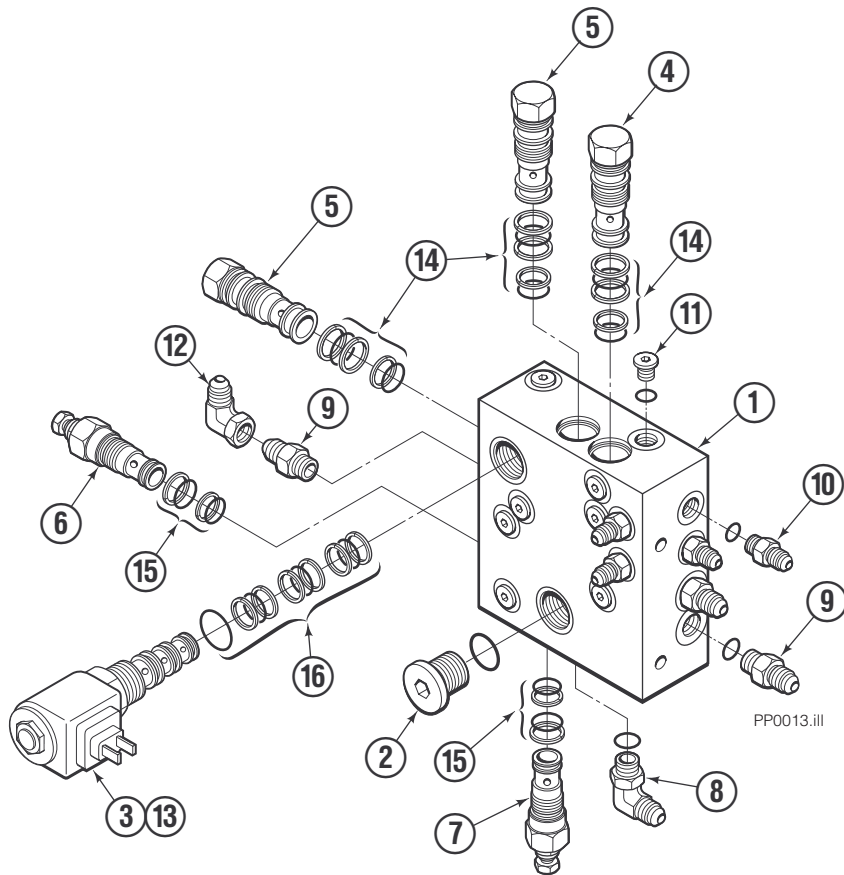
REF	QTY	PART NO.	DESCRIPTION	REF	QTY	PART NO.	DESCRIPTION
		206940	Hydraulic Group (without gripper control)	15	2	207041	Clamp
1	1	206931	Tube	16	1	768794	Capscrew
2	1	206932	Tube	17	1	767414	Nut
3	1	206933	Tube	18	1	200647	Tube
4	1	206934	Tube	19	1	200648	Tube
5	1	206935	Tube	20	1	200649	Tube
6	1	206936	Tube	21	2	683173	Hose
7	1	206937	Tube	22	2	765329	Capscrew
8	3	2492	Fitting, 6-6	23	7	604511	Fitting, 6-6
9	1	206927	Junction Block	24	4	605235	Fitting, 5-6
10	3	685981	Hose	25	2	604510	Fitting, 6
11	1	206942	■ Valve (without gripper control)	26	1	2375	Fitting, 6-6
12	2	768525	Capscrew	28	1	206939	● Knob (without gripper control)
13	2	686119	Washer	29	1	685831	Hose
14	1	669432	Diode (without gripper control)				

■ See Valve page for parts breakdown.

● See Knob page for parts breakdown.

Valve

Without Independent Gripper Control

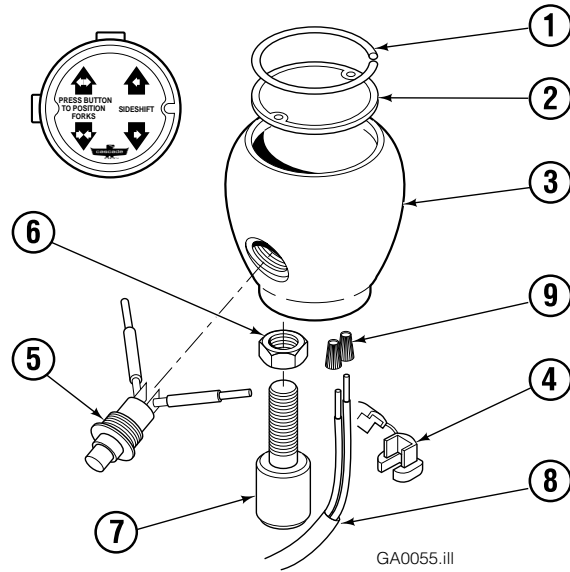


35E/45E			
REF	QTY	PART NO.	DESCRIPTION
		206942	Valve Assembly
1	1	206943	Valve Body
2	1	609453	Fitting, 10
3	1	206991	Solenoid Valve
4	1	206944	Check Valve
5	2	659058	Check Valve
6	1	677125	Relief Valve
7	1	677124	Relief Valve
8	2	601676	Fitting, 6-6
9	3	604511	Fitting, 6-6
10	4	617915	Fitting, 4-4
11	12	609234	Fitting, 4
12	1	2680	Fitting, 6-6
13	1	206995	Coil - 12V ●
13	1	206996	Coil - 24V ●
13	1	206997	Coil - 36V ●
13	1	206998	Coil - 48V ●
14	3	667516	Service Kit
15	2	669597	Service Kit
16	1	667379	Service Kit

● Not included in Valve Assembly.

Control Knob

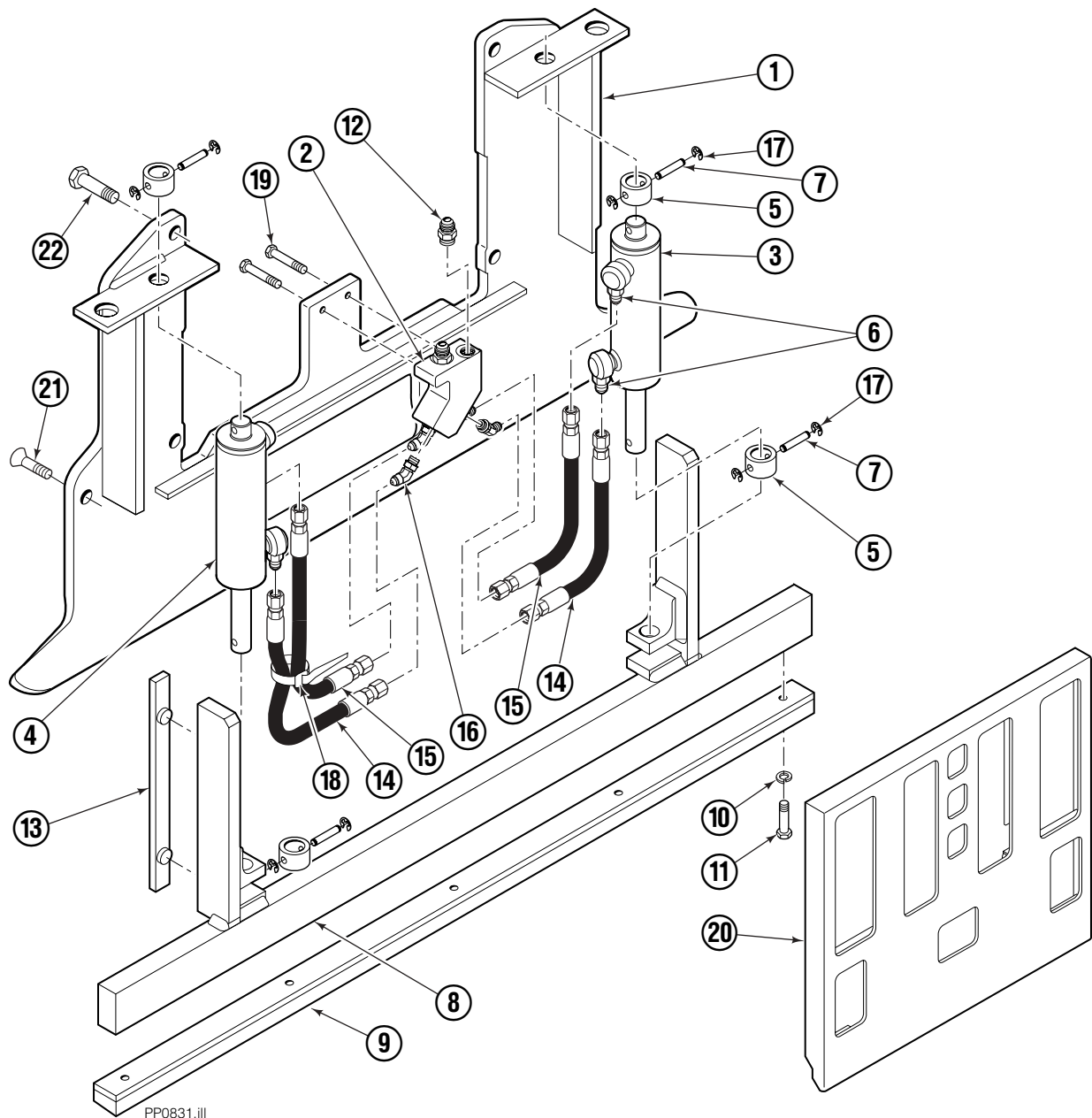
Without Gripper Control



35E/45E			
REF	QTY	PART NO.	DESCRIPTION
		206939	Knob Group
1	1	665250	Snap Ring
2	1	206986	Cover
3	1	667012	Knob
4	1	665076	Strain Relief
5	1	677112	■ Switch
6	1	5902	Nut, 3/8 NC
7	1	665081	Adapter
8	1	667718	Cable Assembly
9	2	667752	Connector – Gray

■ This switch may be purchased without wires. Order part number 665004. Soldering is required.

Faceplate Group



PP0831.ill

45E

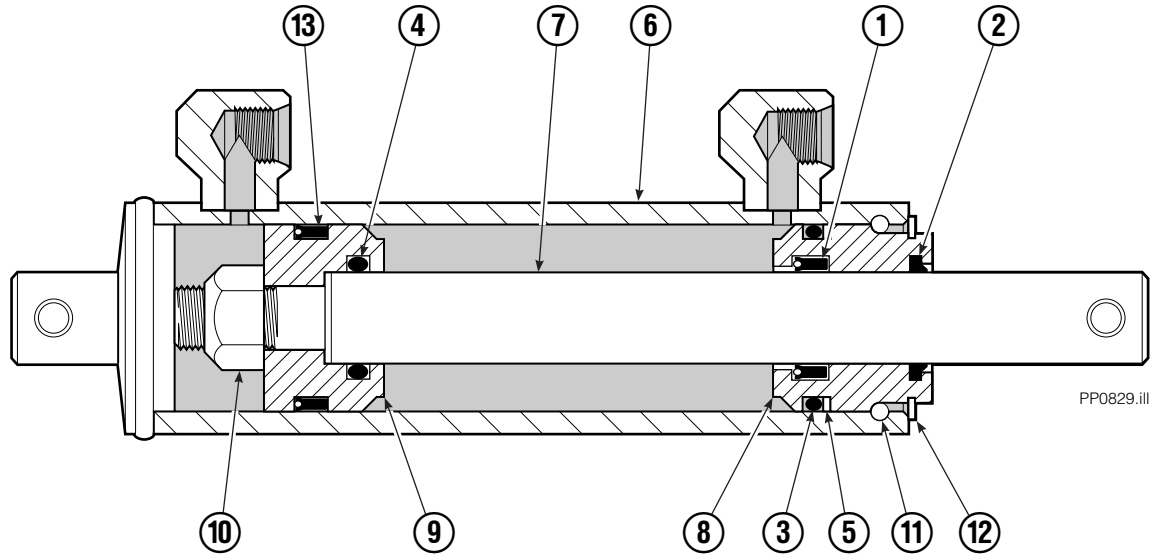
REF	QTY	PART NO.	DESCRIPTION	REF	QTY	PART NO.	DESCRIPTION
		6019140	Faceplate Group, 40 x 40 in. ■	11	5	787375	Capscrew, M8 x 20
		6020440	Gripper Jaw Assembly ●	12	2	604511	Fitting, 6-6
1	1	206396	Gripper Jaw	13	2	686573	Bearing
2	1	6002134	Valve	14	2	6002138	Hose, 315 mm
3	1	6020444	Gripper Cylinder, LH ◆	15	2	6002139	Hose, 450 mm
4	1	6020443	Gripper Cylinder, RH ◆	16	4	617918	Fitting, 4-4
5	4	6020462	Collar	17	8	669894	Retaining Ring
6	4	617915	Fitting, 4-4	18	4	684956	Wire Tie
7	4	6014089	Pin	19	2	787373	Capscrew, M8 x 20
8	1	6002135	Gripper Bar	20	1	6002142	Faceplate, 40 x 40 in. ■
9	1	672712	Gripper Pad	21	2	768714	Capscrew, M16 x 60
10	5	680253	Lockwasher, M8	22	4	225346	Capscrew, M16 x 60

■ Width x height.

◆ See Gripper Cylinder page for parts breakdown.

● Includes items 1-19.

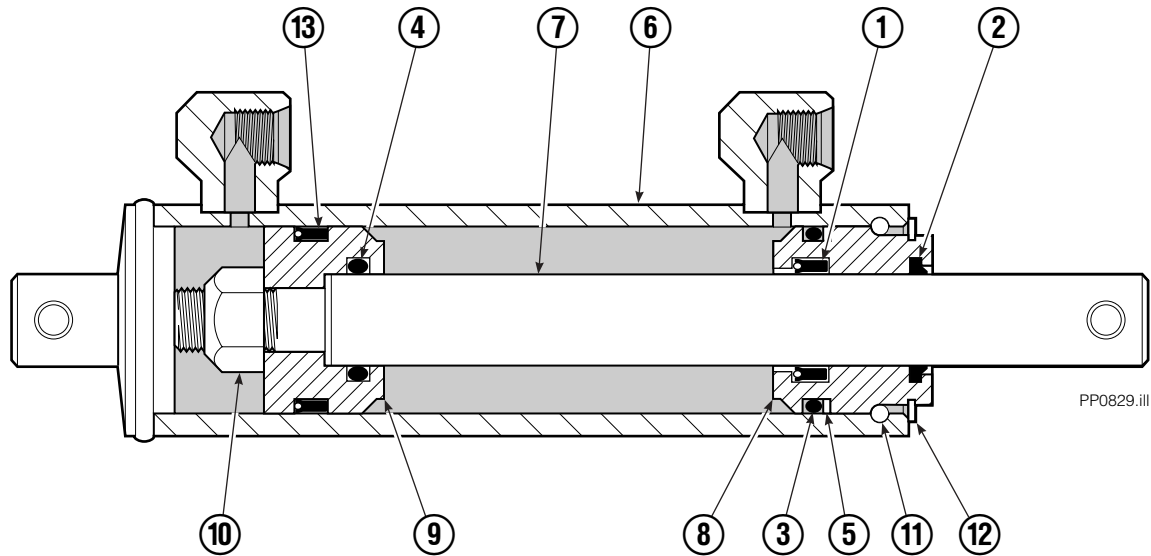
Gripper Cylinder Left Hand



REF	QTY	PART NO.	DESCRIPTION
		6020444	Gripper Cylinder – LH
1	1	646540	▼ Seal
2	1	636850	▼ Wiper
3	1	2718	▼ O-Ring
4	1	2710	▼ O-Ring
5	1	615122	▼ Back-Up Ring
6	1	6020453	Shell
7	1	6020461	Rod
8	1	685664	Retainer
9	1	685665	Piston
10	1	563462	Nut
11	1	563916	Ring
12	1	3137	Ring
13	1	663728	▼ Piston Seal

▼ Included in Service Kit 684827.

Gripper Cylinder Right Hand



REF	QTY	PART NO.	DESCRIPTION
		6020443	Gripper Cylinder – RH
1	1	646540	▼ Seal
2	1	636850	▼ Wiper
3	1	2718	▼ O-Ring
4	1	2710	▼ O-Ring
5	1	615122	▼ Back-Up Ring
6	1	6020452	Shell
7	1	6020461	Rod
8	1	685664	Retainer
9	1	685665	Piston
10	1	563462	Nut
11	1	563916	Ring
12	1	3137	Ring
13	1	663728	▼ Piston Seal

▼ Included in Service Kit 684827.

Do you have questions you need answered right now? Call your nearest Cascade Parts Department. Visit us online at www.cascorp.com

AMERICAS

**Cascade Corporation
Parts Sales**
2501 Sheridan Ave.
Springfield, OH 45505
Tel: 888-CASCADE (227-2233)
Fax: 888-329-0234

Cascade Canada Inc.
5570 Timberlea Blvd.
Mississauga, Ontario
Canada L4W-4M6
Tel: 905-629-7777
Fax: 905-629-7785

Cascade do Brasil
Rua João Guerra, 134
Macuco, Santos - SP
Brasil 11015-130
Tel: 55-13-2105-8800
Fax: 55-13-2105-8899

EUROPE-AFRICA

**Cascade Italia S.R.L.
European Headquarters**
Via Dell'Artigianato 1
37050 Vago di Lavagno (VR)
Italy
Tel: 39-045-8989111
Fax: 39-045-8989160

Cascade (Africa) Pty. Ltd.
PO Box 625, Isando 1600
60A Steel Road
Sparton, Kempton Park
South Africa
Tel: 27-11-975-9240
Fax: 27-11-394-1147

ASIA-PACIFIC

Cascade Japan Ltd.
2-23, 2-Chome,
Kukuchi Nishimachi
Amagasaki, Hyogo
Japan, 661-0978
Tel: 81-6-6420-9771
Fax: 81-6-6420-9777

Cascade Korea
121B 9L Namdong Ind.
Complex, 691-8 Gojan-Dong
Namdong-Ku
Inchon, Korea
Tel: +82-32-821-2051
Fax: +82-32-821-2055

Cascade-Xiamen
No. 668 Yangguang Rd.
Xinyang Industrial Zone
Haicang, Xiamen City
Fujian Province
P.R. China 361026
Tel: 86-592-651-2500
Fax: 86-592-651-2571

**Cascade India Material
Handling Private Limited**
No 34, Global Trade Centre
1/1 Rambaugh Colony
Lal Bahadur Shastri Road,
Navi Peth, Pune 411 030
(Maharashtra) India
Phone: +91 020 2432 5490
Fax: +91 020 2433 0881

Cascade Australia Pty. Ltd.
1445 Ipswich Road
Rocklea, QLD 4107
Australia
Tel: 1-800-227-223
Fax: +61 7 3373-7333

Cascade New Zealand
15 Ra Ora Drive
East Tamaki, Auckland
New Zealand
Tel: +64-9-273-9136
Fax: +64-9-273-9137

**Sunstream Industries
Pte. Ltd.**
18 Tuas South Street 5
Singapore 637796
Tel: +65-6795-7555
Fax: +65-6863-1368

