



Parts Manual

Model _____ **Fork Positioner**
Serial Number _____ **100F-FPS-354**

cascade[®]

For Technical Assistance call: 800-227-2233, Fax: 888-329-8207

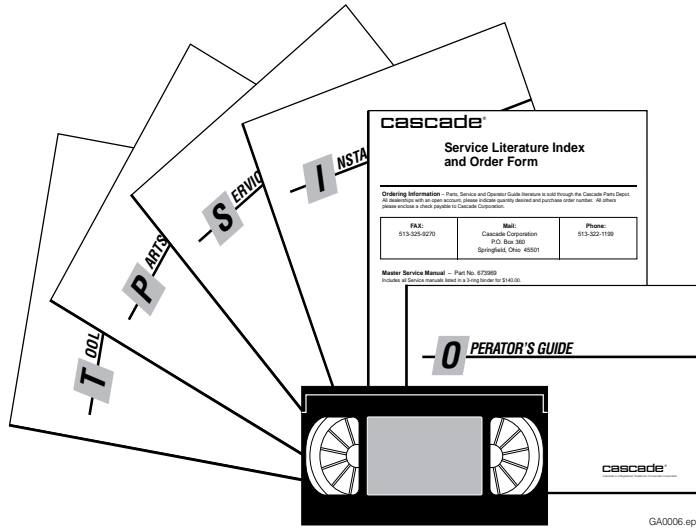
To Order Parts call: 888-227-2233, Fax: 888-329-0234

OR

Write: Cascade Corporation, P.O. Box 20187, Portland, OR 97220

Internet: www.cascorp.com

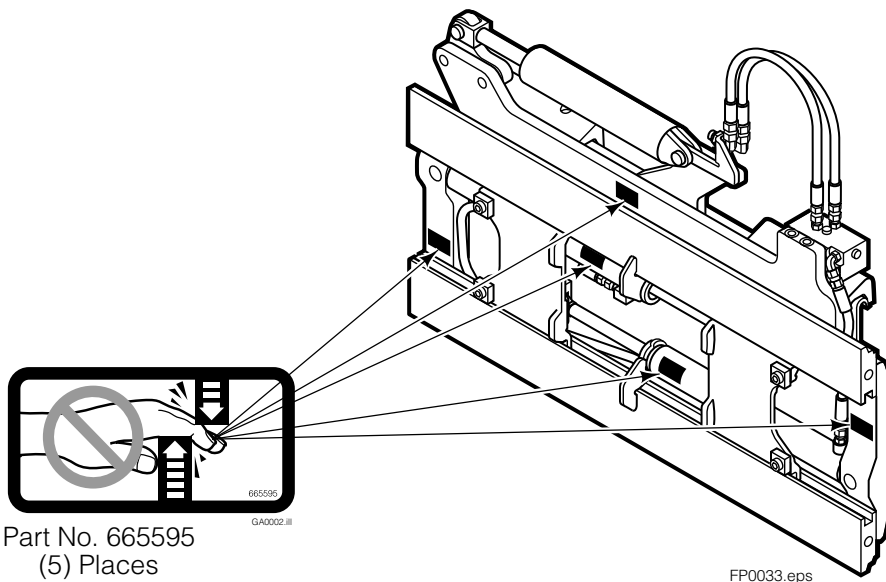
Publications



GA0006.eps

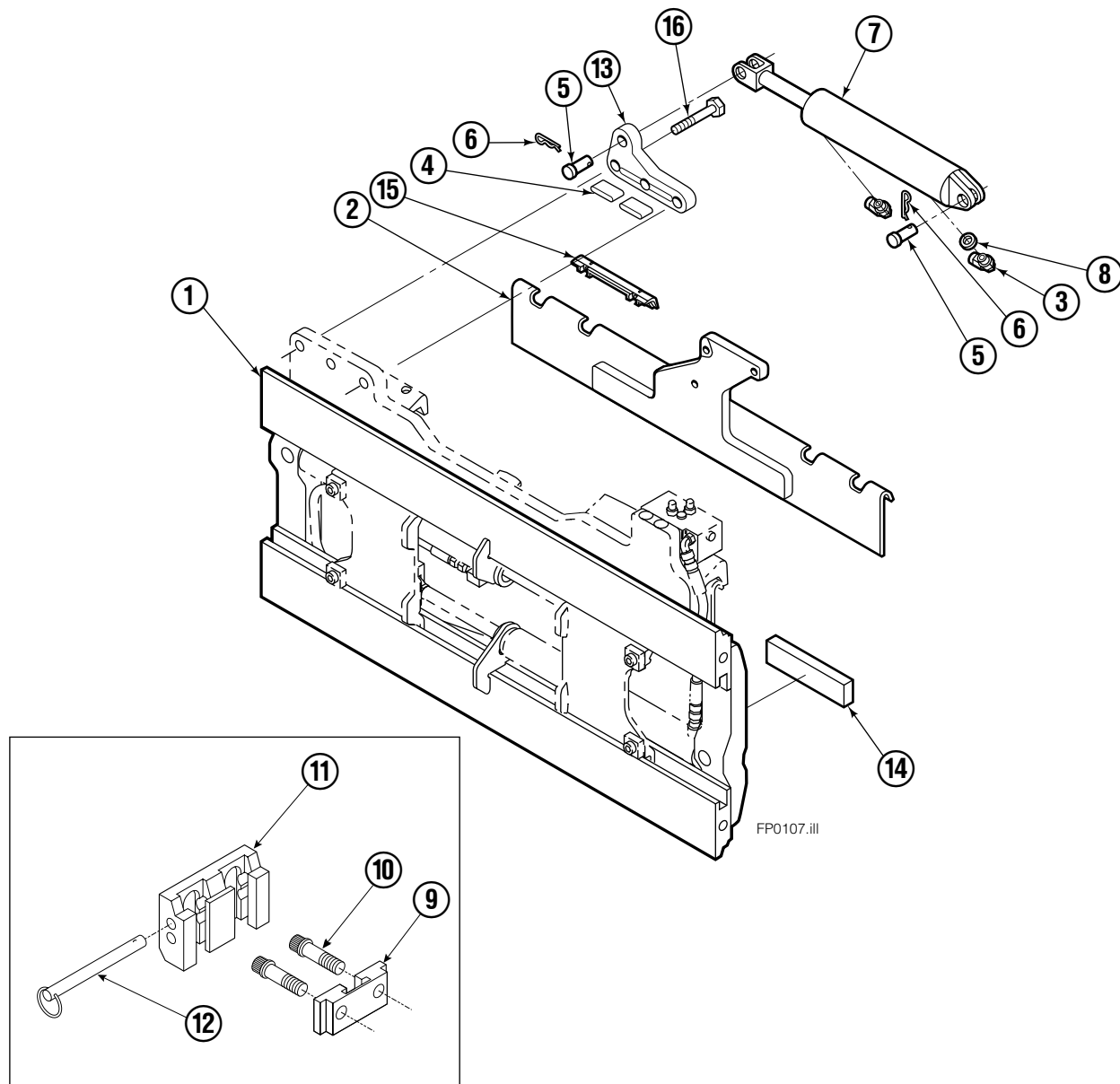
100F	
PART NO.	DESCRIPTION
	Parts Manual
208743	Service Manual
688261	Operators Guide
207363	Installation Instructions
680664	Servicing Cascade Cylinders-VHS
679929	Tool Catalog
673964	Literature Index Order Form

Safety Decals



FP0033.eps

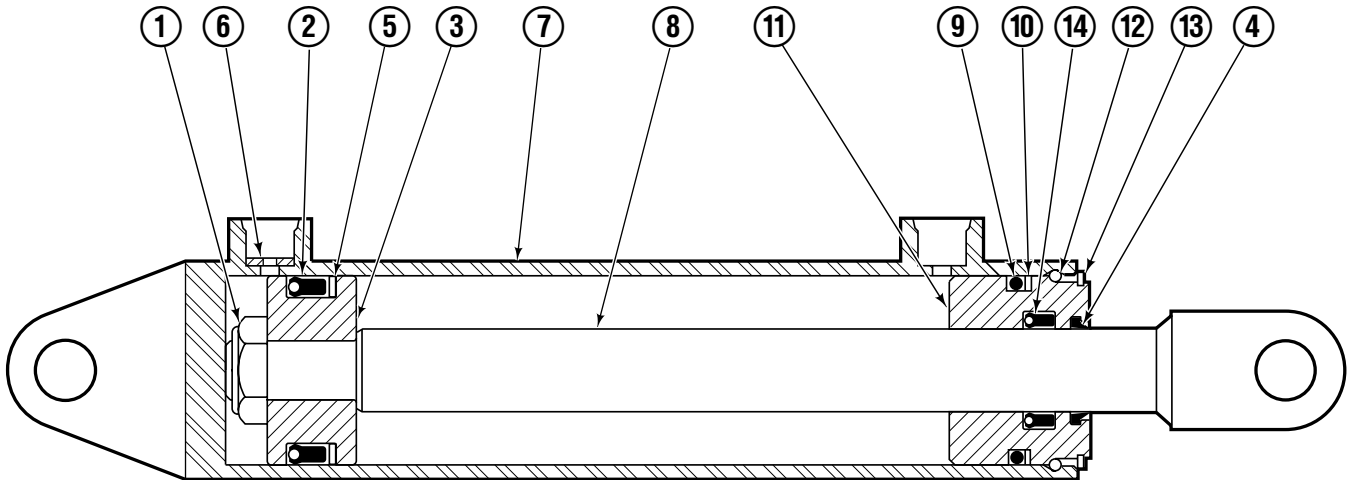
Mounting Group Sideshifting



100F							
REF	QTY	PART NO.	DESCRIPTION	REF	QTY	PART NO.	DESCRIPTION
		377178 ●	Sideshifting Mounting – 41 in. ■	9	2	675957	Lower Hook
1	1	8472-1	Frame – 41 in. ■	10	4	779019	Capscrew, M16x2,0x40-8.8
2	1	209393	Anchor Bracket – 41 in. ■	11	2	675958	Guide
3	2	601676	Fitting, 6-6	12	2	678832	Pin – Quick Release
4	2	209542	Key, M10x8x63	13	1	209309	Lug
5	2	678528	Clevis Pin	14	2	208350	Lower Bearing
6	2	672726	Hairpin Cotter	15	2	672018	Upper Bearing
7	1	676649	Cylinder Assembly ◆	16	3	752907	Capscrew, M20x50 Lg-8.8
8	1	675550	Washer (orifice .085)				

- Carriage width.
- Includes items 2 through 16.
- ◆ See Cylinder page for parts breakdown.

Sideshift Cylinder

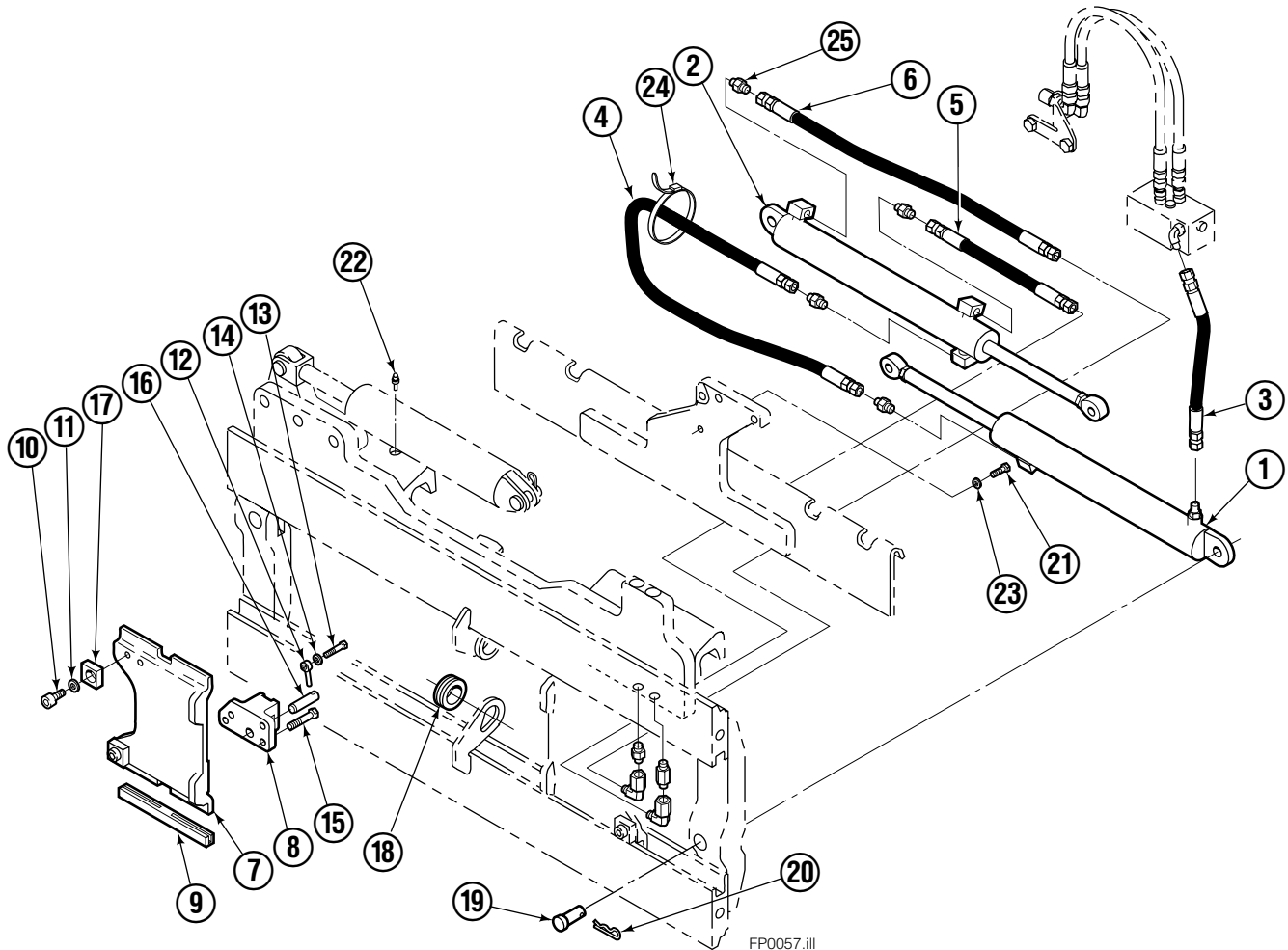


FP0029.ill

REF	QTY	PART NO.	DESCRIPTION
		676649	Cylinder Assembly
1	1	553717	Nut
■ 2	1	662456	Seal
3	1	553527	Piston
■ 4	1	636852	Wiper
■ 5	1	649817	Back-up Ring
6	1	675550	Washer (orifice .085)
7	1	676776	Shell
8	1	553530	Rod
■ 9	1	2789	O-Ring
■ 10	1	615132	Back-up Ring
11	1	553528	Retainer
12	1	553688	Retaining Ring
13	1	7211	Snap Ring
■ 14	1	662447	Seal
		553866	Service Kit

■ Included in Service Kit 553866.

Hydraulic/Fork Group



Reference:
BC-106
SK-6042

100F

REF	QTY	PART NO.	DESCRIPTION	REF	QTY	PART NO.	DESCRIPTION
		●209464	Hydraulic Group – 41 in. ■	13	2	763169	Capscrew
		□209502	Fork Group	14	2	680217	Lockwasher
◆1	1	209486	Cylinder Assembly L.H. – 41 in. ■	15	8	681370	Capscrew
▼2	1	209493	Cylinder Assembly R.H. – 41 in. ■	16	2	209308	Pin
3	1	209514	Hose – 41 in. ■	17	4	209306	Block
4	1	209521	Hose – 41 in. ■	18	2	209305	Grommet
5	1	209528	Hose	19	2	661675	Clevis Pin
6	1	209529	Hose – 41 in. ■	20	2	672726	Hairpin Cotter
7	2	209391	Fork Carrier	21	1	763022	Capscrew
8	2	209280	Lug	22	2	7403	Grease Fitting
9	4	209303	Bearing	23	1	681238	Lockwasher
10	4	768838	Capscrew	24	1	200008	Cable Tie
11	4	678992	Lockwasher	25	5	604511	Fitting, 6-6
12	2	206923	Eyebolt				

■ Carriage width.

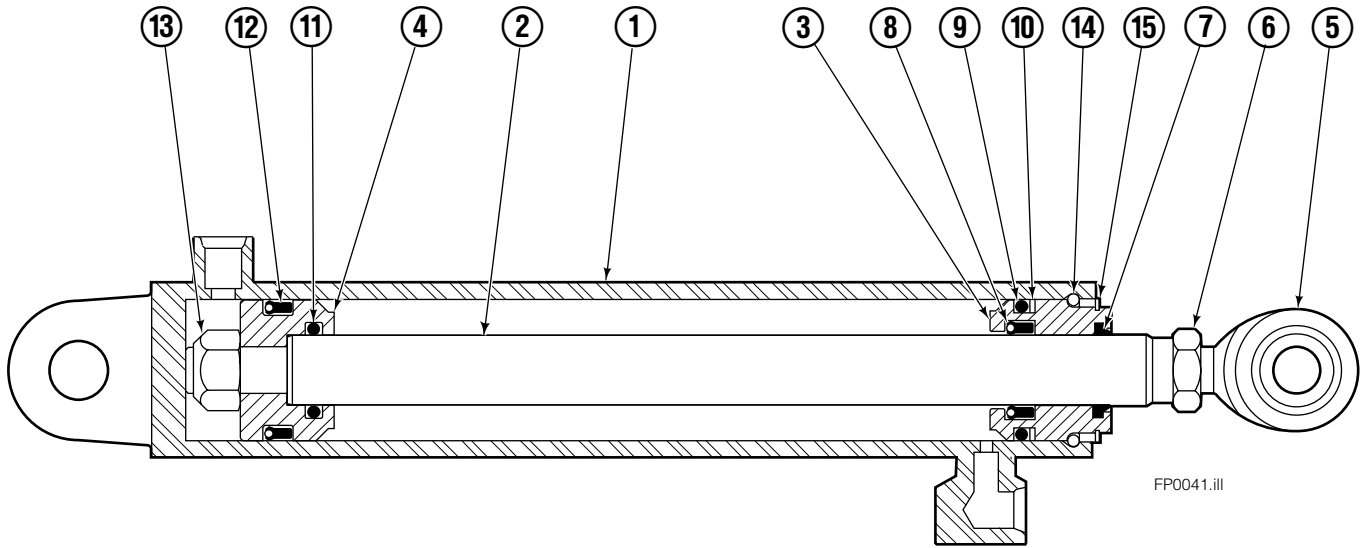
◆ See L.H. Cylinder page for parts breakdown.

▼ See R.H. Cylinder for parts breakdown.

● Includes items 1 through 6.

□ Includes items 7 through 25.

Left Hand Cylinder



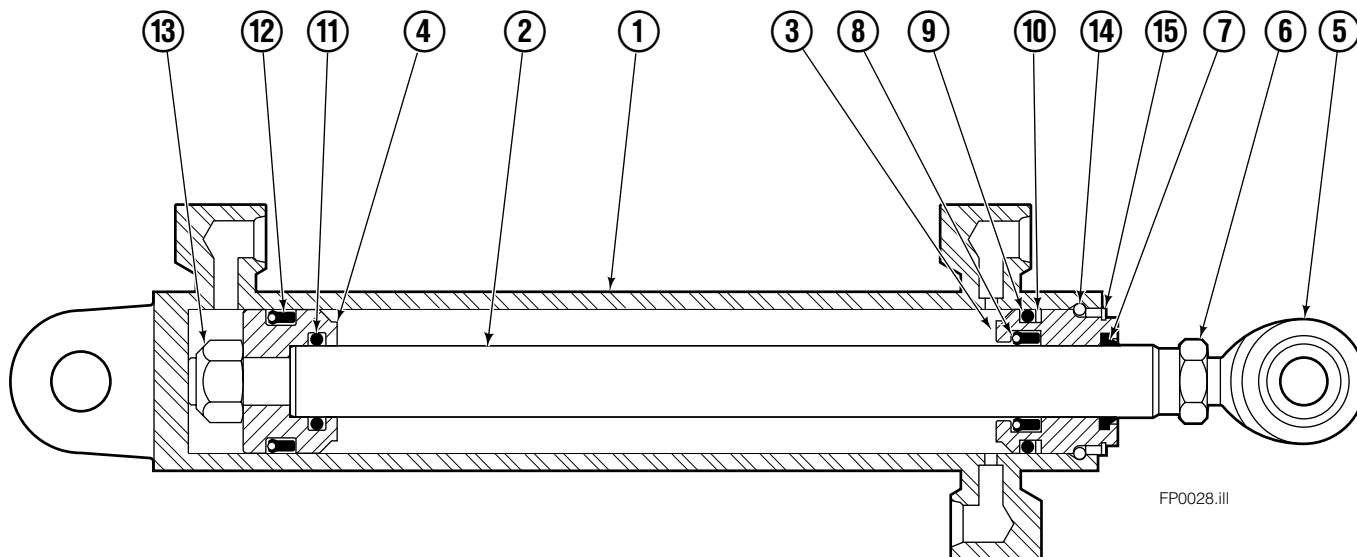
100F

REF	QTY	PART NO.	DESCRIPTION
		209486	Cylinder Assembly – 41 in. ■
1	1	564486	Shell – 41 in. ■
2	1	564493	Rod – 41 in. ■
3	1	564451	Retainer
4	1	562056	Piston
5	1	564452	Rod End
6	1	5721	Nut
7	1	564408	● Rod Wiper
8	1	564406	● Rod Seal
9	1	562127	● O-Ring
10	1	563388	● Back-up Ring
11	1	563278	● O-Ring
12	1	564141	● Piston Seal
13	1	678019	Piston Nut
14	1	562942	Retaining Ring
15	1	562951	Snap Ring
		564453	Service Kit

■ Carriage width.

● Included in Service Kit 564453.

Right Hand Cylinder



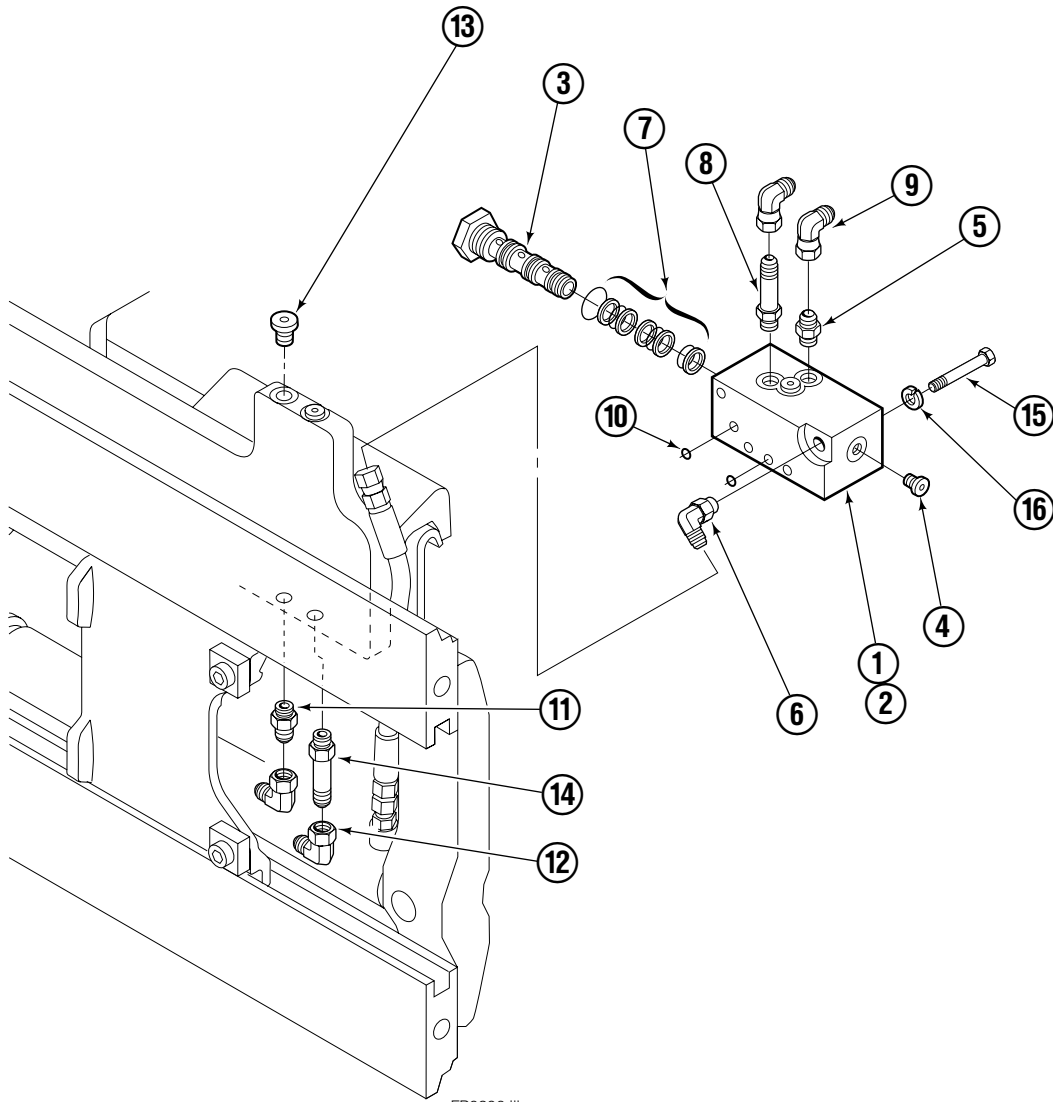
100F

REF	QTY	PART NO.	DESCRIPTION
		209493	Cylinder Assembly – 41 in. ■
1	1	564500	Shell – 41 in. ■
2	1	564493	Rod – 41 in. ■
3	1	564451	Retainer
4	1	562056	Piston
5	1	564452	Rod End
6	1	5721	Nut
7	1	564408	● Rod Wiper
8	1	564406	● Rod Seal
9	1	562127	● O-Ring
10	1	563388	● Back-up Ring
11	1	563278	● O-Ring
12	1	564141	● Piston Seal
13	1	678019	Piston Nut
14	1	562942	Retaining Ring
15	1	562951	Snap Ring
		564453	Service Kit

■ Carriage width.

● Included in Service Kit 564453.

Flow Divider Group



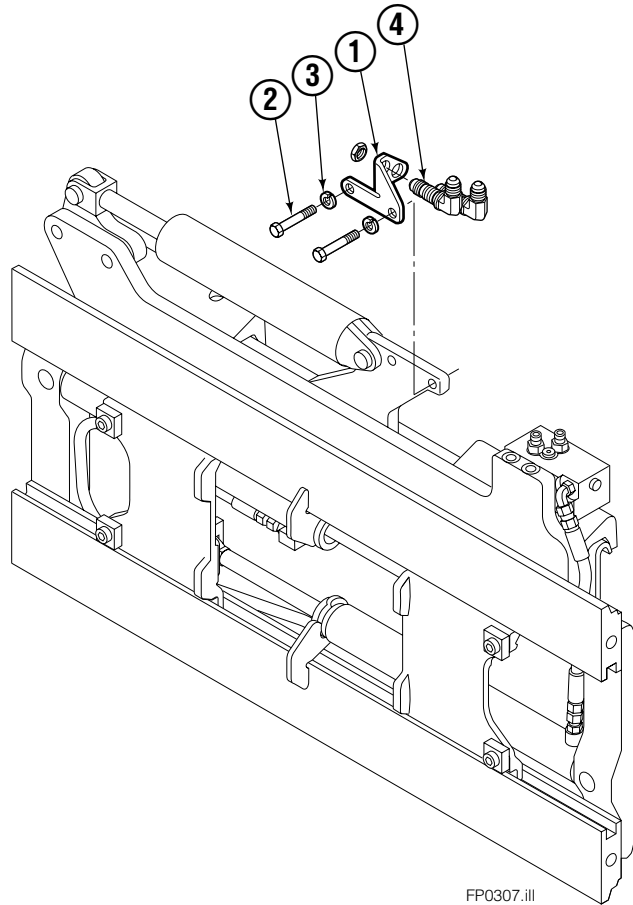
FP0306.ill

100F

REF	QTY	PART NO.	DESCRIPTION
		381623	Flow Divider Group
1	1	381624	Valve ■
2	1	209311	Valve Body
3	1	210266	Cartridge-Combiner
4	2	663694	Fitting, 3
5	1	604511	Fitting, 6-6
6	1	601676	Fitting, 6-6
7	1	679992	Service Kit
8	1	605743	Fitting, 6-6
9	2	2680	Fitting, 6-6
10	2	207300	O-Ring
11	1	604511	Fitting, 6-6
12	2	2680	Fitting, 6-6
13	2	604510	Fitting, 6
14	1	605743	Fitting, 6-6
15	3	685105	Capscrew, M6 x 65
16	3	678993	Lockwasher, M6

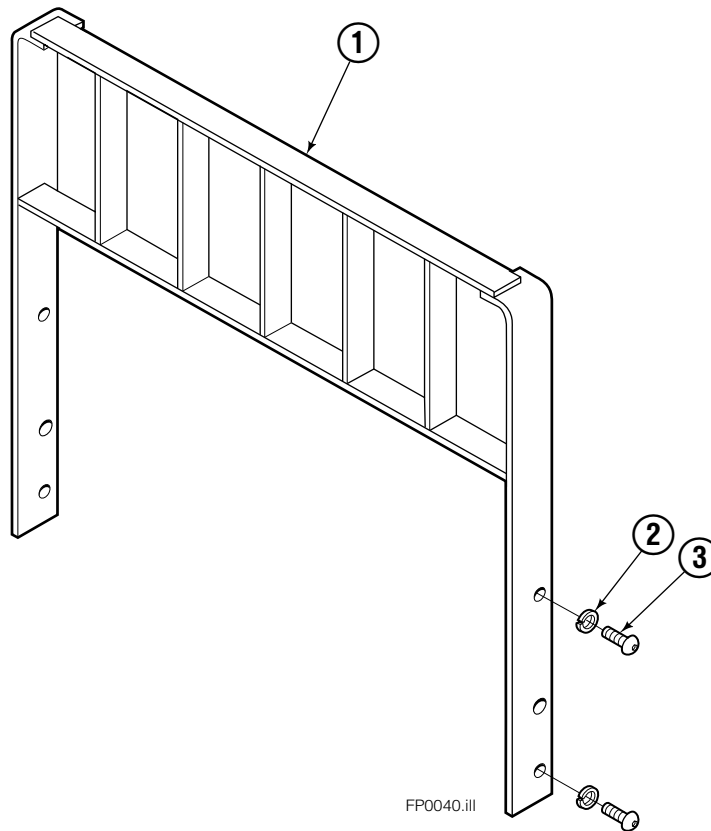
■ Includes items 2 through 9.

Standard Installation Group



100F			
REF	QTY	PART NO.	DESCRIPTION
		381626	Installation Group
1	1	207314	Bracket
2	2	762899	Capscrew, M10X20-8.8
3	2	681238	Lockwasher
4	2	2453	Fitting, 8-8

Backrests



100F			
REF	QTY	PART NO.	DESCRIPTION
1	1	3008186	Backrest – 41x31 in. (1043x775 mm) ■
2	4	684586	Lockwasher, M16
3	4	200173	Capscrew, M16 x 35

■ Width by Height.
Reference: S-4098.

Do you have questions you need answered right now? Call your nearest Cascade Parts Department.

Cascade Corporation
2501 Sheridan Avenue
Springfield, OH 45505
Tel: 888-CASCADE (227-2233)
FAX: 888-329-0234
www.cascorp.com

Cascade Canada Inc.
5570 Timberlea Blvd.
Mississauga, Ontario
Canada L4W-4M6
Tel: 905-629-7777
FAX: 905-629-7785

Cascade GmbH
D-41199 Monchengladbach
Klosterhofweg 52
Germany
Tel: 21-66-602091
FAX: 21-66-680947

Cascade Finland
01370 Vantas
Finland
Tel: 358-0-836-1925
FAX: 358-0-836-1935

**Cascade N.V.
European Headquarters**
P.O. Box 3009
1300 El Almere
Damsluisweg 56
1332 ED Almere
The Netherlands
Tel: 31-36-5492911
FAX: 31-36-5492964

**Cascade N.V.
Benelux Sales and Service**
P.O. Box 3009
1300 El Almere
Damsluisweg 56
1332 ED Almere
The Netherlands
Tel: 31-36-5492950
FAX: 31-36-5492974

Cascade (UK) Ltd.
15, Orgreave Crescent
Dore House Industrial Estate
Handsworth
Sheffield S13 9NQ
England
Tel: 742-697524
FAX: 742-695121

**Cascade Scandinavia
Hydraulik A.B.**
Muskötgatan 19, E8-9
S25466 Helsingborg
Sweden
Tel: 42-151135
FAX: 42-152997

Cascade Norway
Østerliveien 37A
1153 Oslo
Norway
Tel: 47-22-743160
FAX: 47-22-743157

Cascade France S.A.R.L.
11, Rue Jean Charcot
Zone Industrielle Sud or
B.P. 22
91421 Morangis Cedex
France
Tel: 1- 64547501
FAX: 1-9790584

Cascade Hispania S.A.
Avenida De La Fabregada, 7
Hospitalet De Llobregat
Barcelona
Spain
Tel: 3-335-5158
FAX: 3-335-4756

Cascade Japan Ltd.
5-5-41,
Torikai Kami
Settsu, Osaka
Japan, 566
Tel: 81-726-53-3490
FAX: 81-726-53-3497

Cascade Korea
Room 508, Pum Yang Bldg.
750-14, Bang Bac-Dong
Se-Cho Ku, Seoul
Korea
Tel: 2599-7131 ext. 512
FAX: 2533-8089

HYCO-Cascade Pty. Ltd.
1445 Ipswich Road
Rocklea,
Queensland 4107
Australia
Tel: 3-274-2722
FAX: 3-274-3456

HYCO-Cascade (NZ) Ltd.
15 Ra Ora Drive, East Tamaki
P.O. Box 38-440
Howick, Auckland
New Zealand
Tel: 9-273-9136
FAX: 9-273-9137

Cascade (Africa) Pty. Ltd.
P.O. Box 625, Isando 1600
60A Steel Road
Sparton, Kempton Park
South Africa
Tel: 975-9240
FAX: 394-1147

Cascade-Xiamen
Wanshan No. 1 Workshop
Huli Road
Xiamen 361006
Fujian, PRC
Tel: 592-562-4600
FAX: 592-562-4671

**Cascade (Singapore)
Trading Co.**
Four Seasons Park
Autumn Block - Apt. 1802
12 Cascaden Walk
Singapore
Tel: 65-834-1935
FAX: 65-834-1936

