



# Parts Manual

---

Model \_\_\_\_\_ Push/Pull Ext Range \_\_\_\_\_

Serial Number \_\_\_\_\_ 45E-PXB-164 \_\_\_\_\_

---

**cascade**<sup>®</sup>  
corporation

**For Technical Assistance call:** 800-227-2233, Fax: 888-329-8207

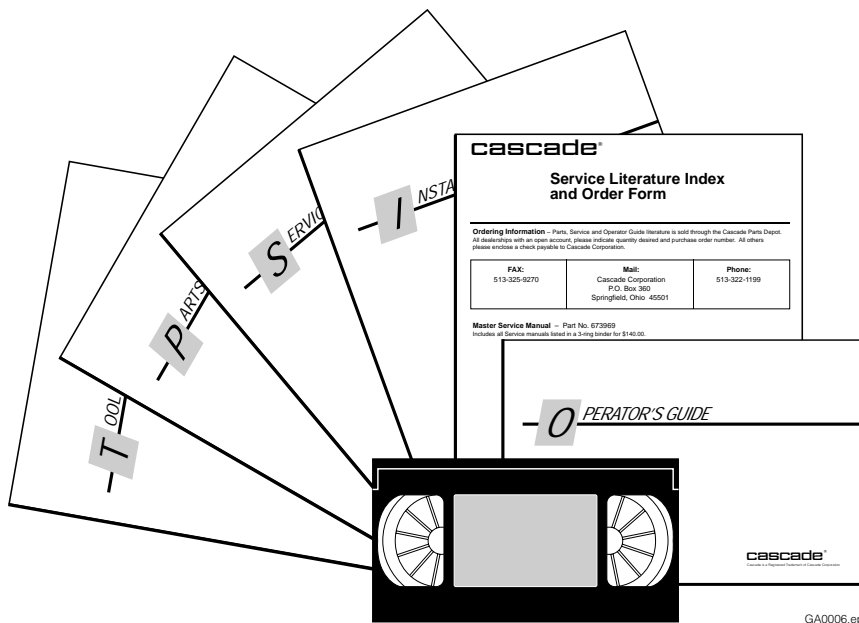
**To Order Parts call:** 888-227-2233, Fax: 888-329-0234

**OR**

**Write:** Cascade Corporation, P.O. Box 20187, Portland, OR 97220

**Internet:** [www.cascorp.com](http://www.cascorp.com)

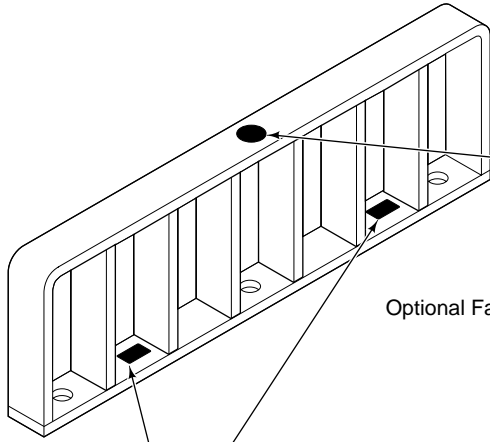
# Publications



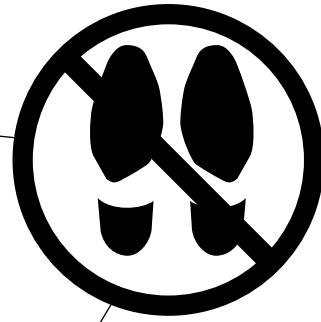
GA0006.eps

PART NO.	DESCRIPTION
	Parts Manual
686455	Service Manual
684945	Operators Guide
685531	Operators Pocket Guide
684944	Installation Instructions
680664	Servicing Cascade Cylinders-VHS
679929	Tool Catalog
673964	Literature Index Order Form

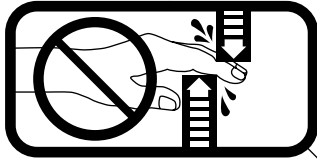
# Decals



Optional Faceplate Extension



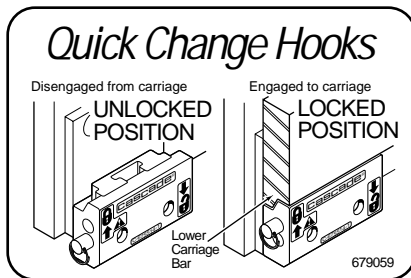
Part No. 679150  
(1 Place & 1 optional)



Part No. 665595  
(2 Place & 2 optional)



Part No. 656038  
(6 Places)



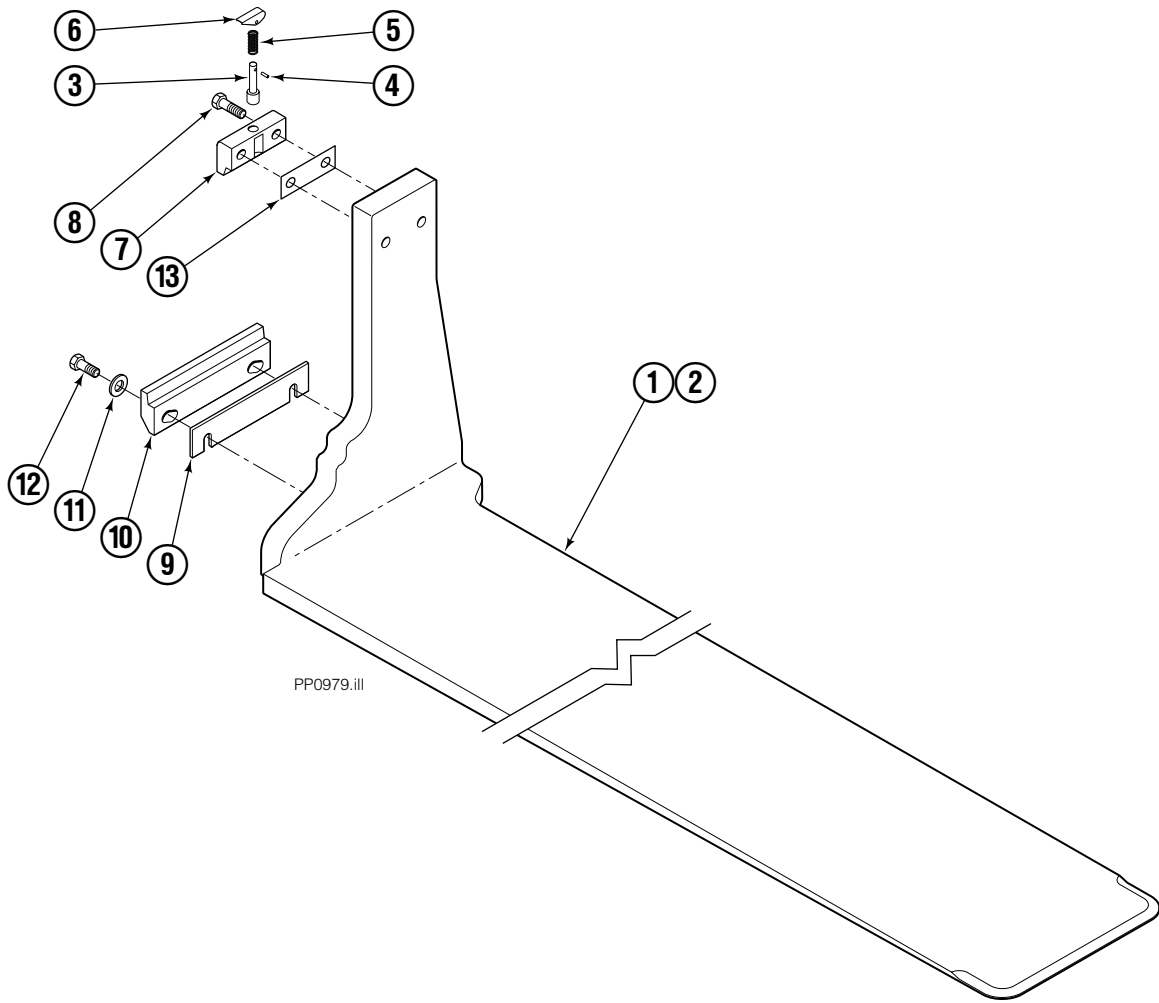
Part No. 679059  
(1 Place if equipped with Quick Change Hooks)



Nameplate

PP0060.iii

# Platen Group



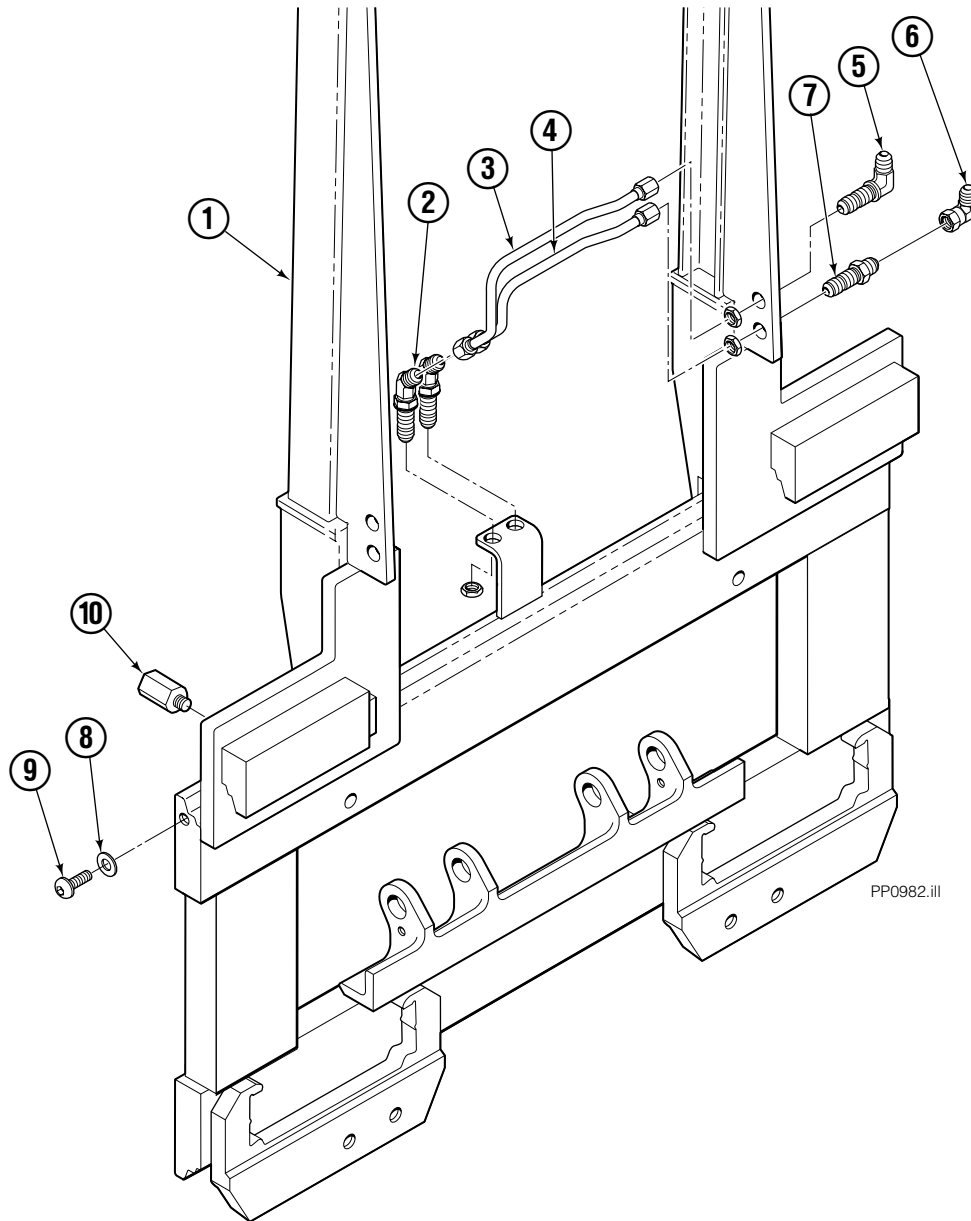
PP0979.ill

45E			
REF	QTY	PART NO.	DESCRIPTION
		6030092	Platen Group
1	1	6030093	Platen - LH
2	1	6030094	Platen - RH
3	2	622907	◆ Pin
4	2	8007	◆ Rivet
5	2	622908	◆ Spring
6	2	622897	◆ Handle
7	2	685533	◆ Upper Hook
8	4	685534	Capscrew, M16 x 50
9	●	682858	Shim (.30)
10	2	682851	Lower Hook
11	4	667225	Washer, .625
12	4	779010	Capscrew, M16 x 35
13	●	688379	Shim (.60)

◆ Included in Upper Hook Assembly 688386.

● As required.

# Frame Group ITA III

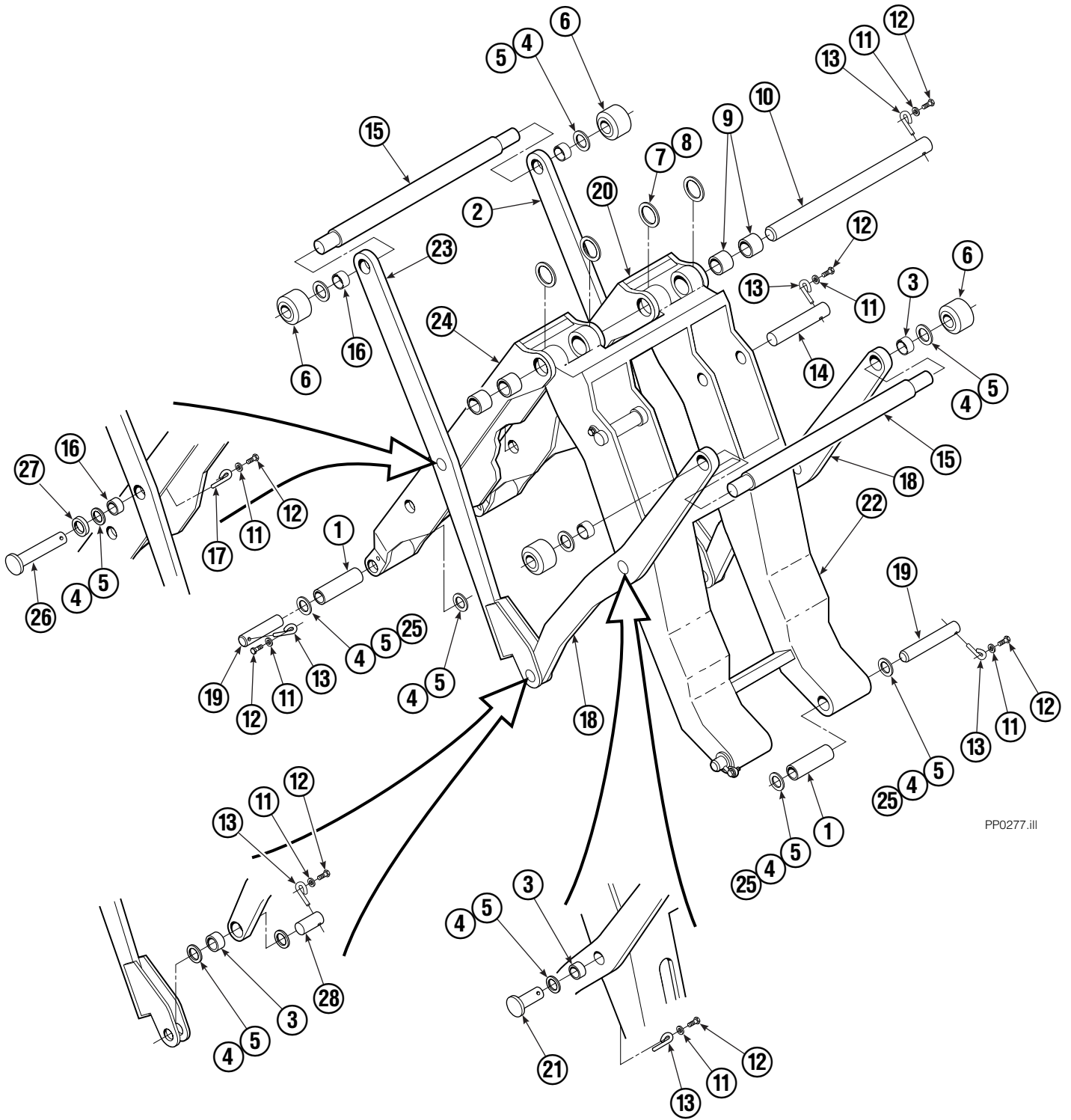


PP0982.iii

45E			
REF	QTY	PART NO.	DESCRIPTION
		6029977	Frame Group, ITA III
1	1	6029978	Frame
2	2	2492	Fitting, 6-6
3	1	682992	Tube
4	1	682991	Tube
5	1	2453	Fitting, 6-6
6	1	2680	Fitting, 6-6
7	1	2375	Fitting, 6-6
8	2	683001	Washer
9	2	683142	Capscrew
10	4	682850	Stop

# Mechanism Group

39 in. Wide - 62 in. to 74 in. Stroke



PP0277.iii

# Mechanism Group

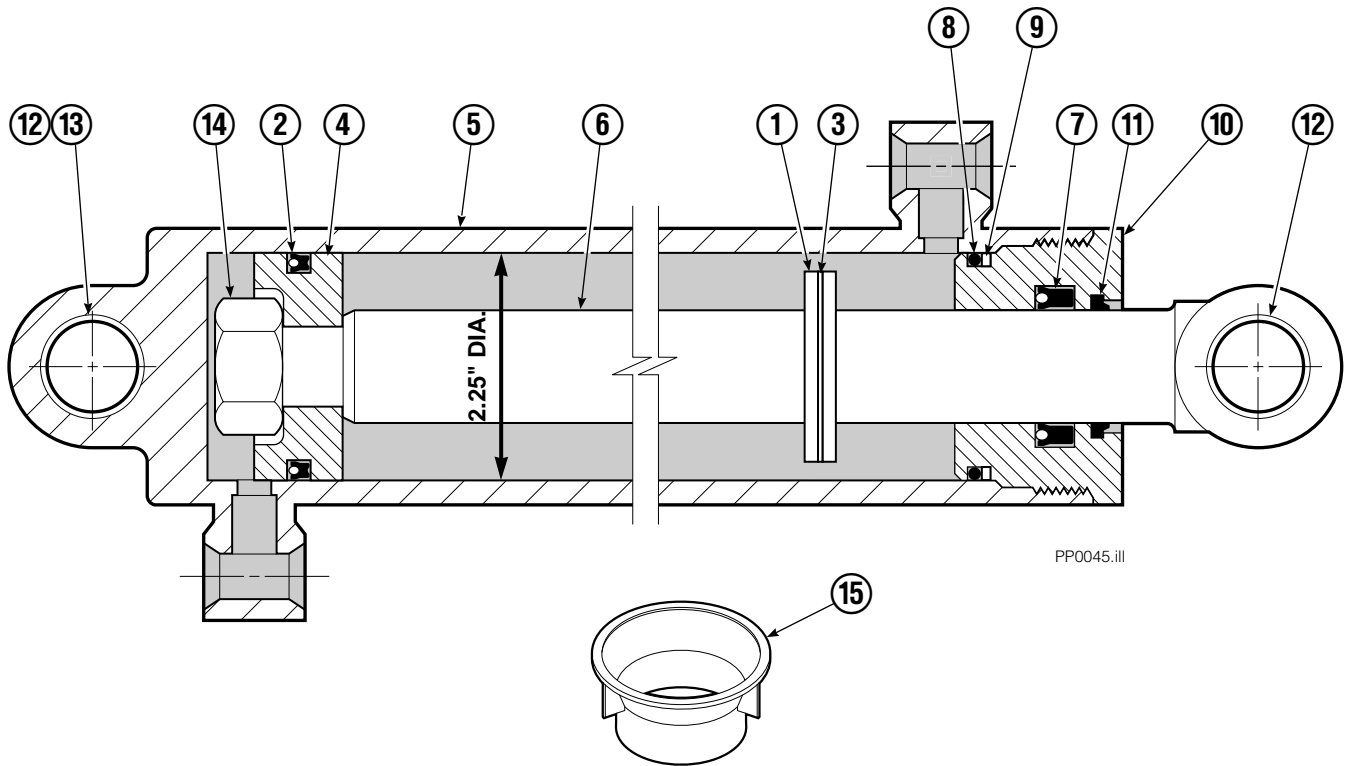
## 39 in. Wide - 62 in. to 74 in. Stroke

<b>35E/45E</b>			
REF	QTY	PART NO	DESCRIPTION
		204513	Mechanism Group
1	4	204535	Bushing ■
2	1	204530	Arm-Secondary Outer R. H.
3	6	683154	Bushing ■
4	●	683161	Shim
5	●	683162	Shim
6	4	205070	Roller
7	●	683163	Shim
8	●	683164	Shim
9	4	683155	Bushing ■
10	1	682821	Pin
11	13	6229	Washer
12	13	685661	Capscrew, M8x1.25x14-8.8
13	11	682999	Eye-Pin
14	2	682822	Pin-Head
15	2	205066	Pin
16	4	689202	Bushing ■
17	2	689954	Eye-Pin
18	2	204528	Arm-Outer Primary
19	4	204533	Pin-Frame
20	1	204527	Arm-Inner Secondary RH
21	2	689198	Pin-Primary Outer
22	1	204525	Arm-Inner Primary
23	1	204529	Arm-Secondary Outer LH
24	1	204526	Arm-Inner Secondary LH
25	●	204532	Shim
26	2	200305	Pin-Secondary Outer
27	2	683165	Spacer
28	2	204534	Pin-Outer

● Quantity as required.

■ Included in Service Kit 205075.

# Cylinder

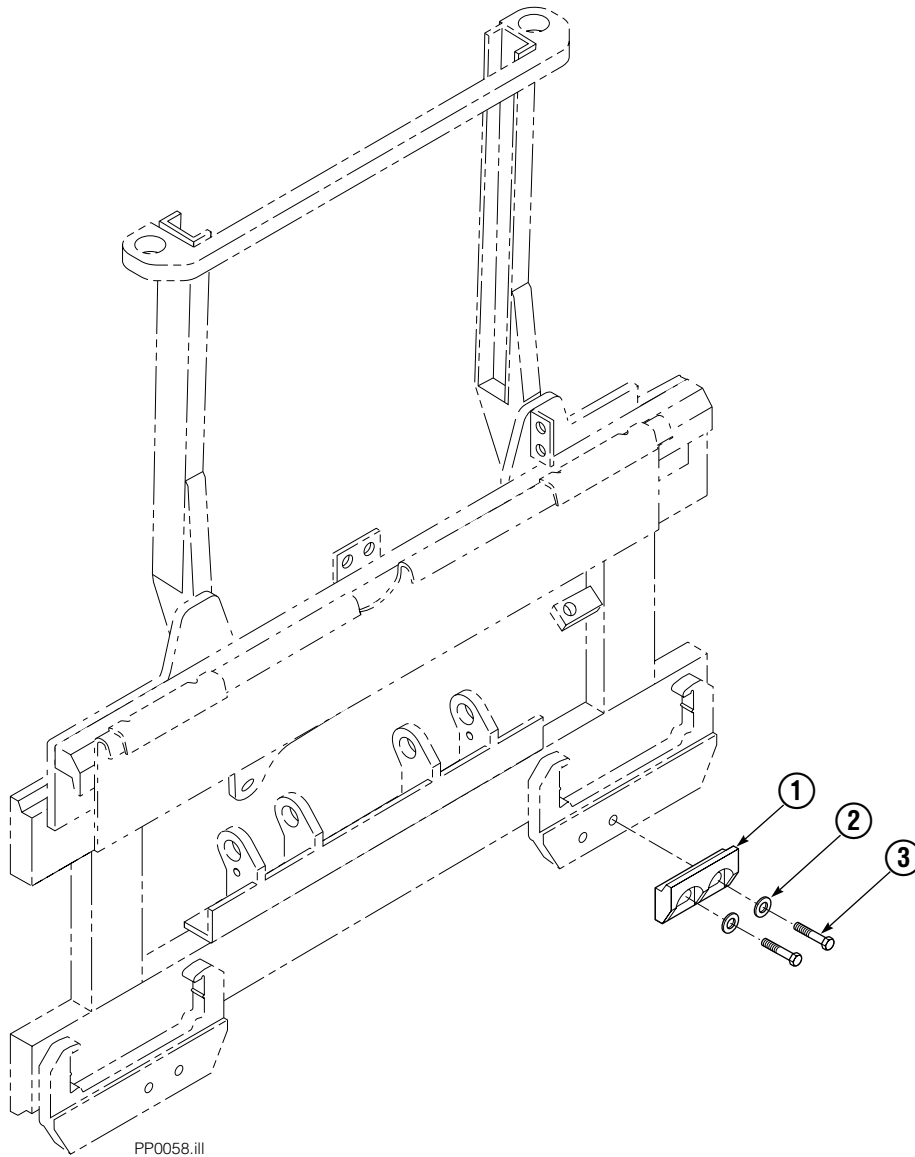


REF	QTY	PART NO.	DESCRIPTION
		582636	Cylinder Assembly
1	1	—	Spacer
2	1	564159	■ Seal
3	1	7348	Snap Ring
4	1	564161	Piston
5	1	562717	Shell
6	1	558626	Rod
7	1	662448	■ Seal
8	1	2787	■ O-Ring
9	1	615130	■ Back-Up Ring
10	1	558628	Retainer
11	1	636853	■ Wiper
12	4	559697	Bearing
13	1	559698	Spacer
14	1	678019	Nut
15	1	671048	■ Seal Loader Kit

■ Included in Service Kit 562339.

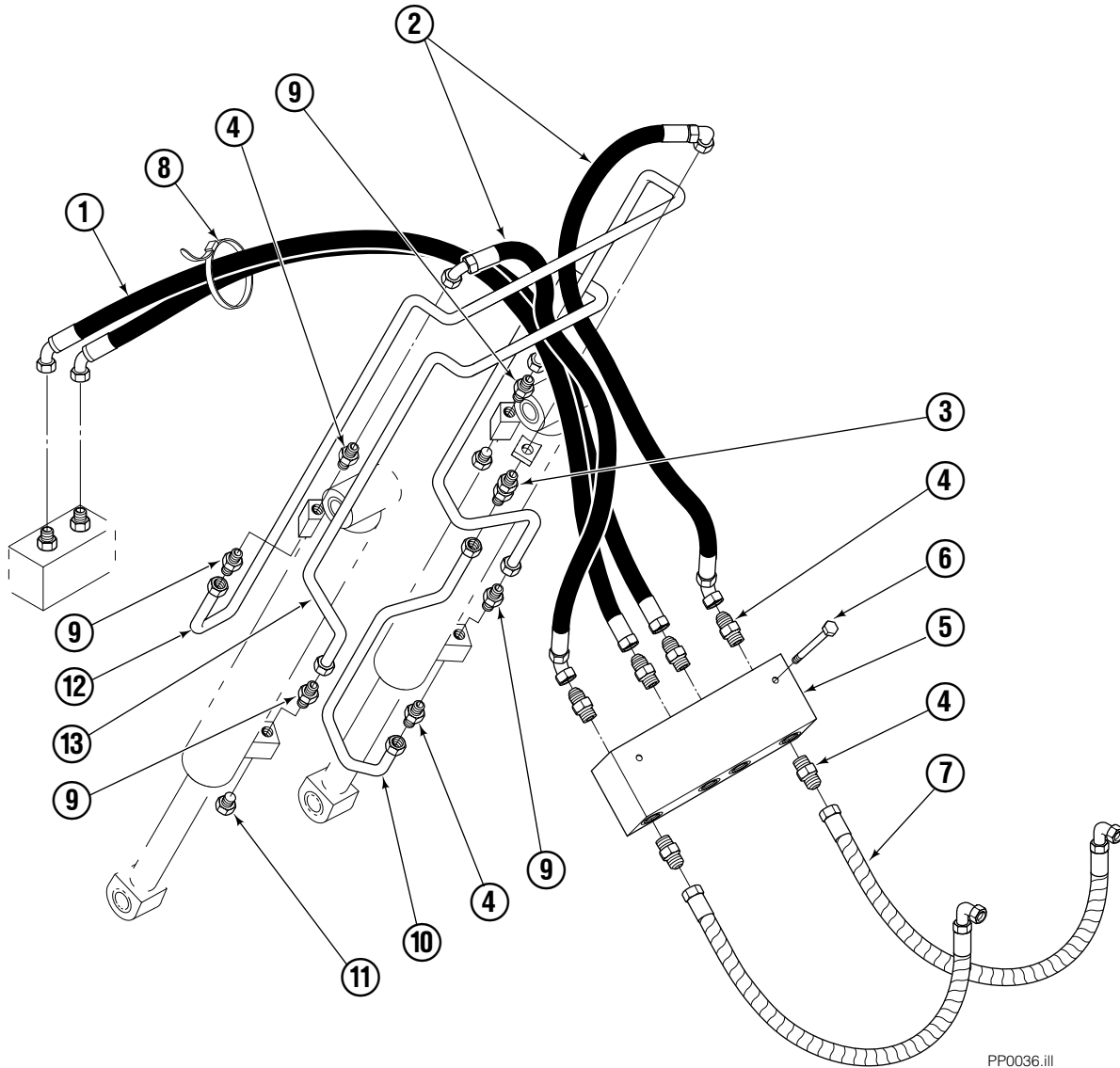
Reference: S-3424.

# Bolt-On Lower Hook Group ITA II



REF	QTY	PART NO.	DESCRIPTION
		683178	Lower Hook Group ITA II
1	2	679360	Hook
2	4	667225	Washer
3	4	779010	Capscrew

# Hydraulic Group



PP0036.iii

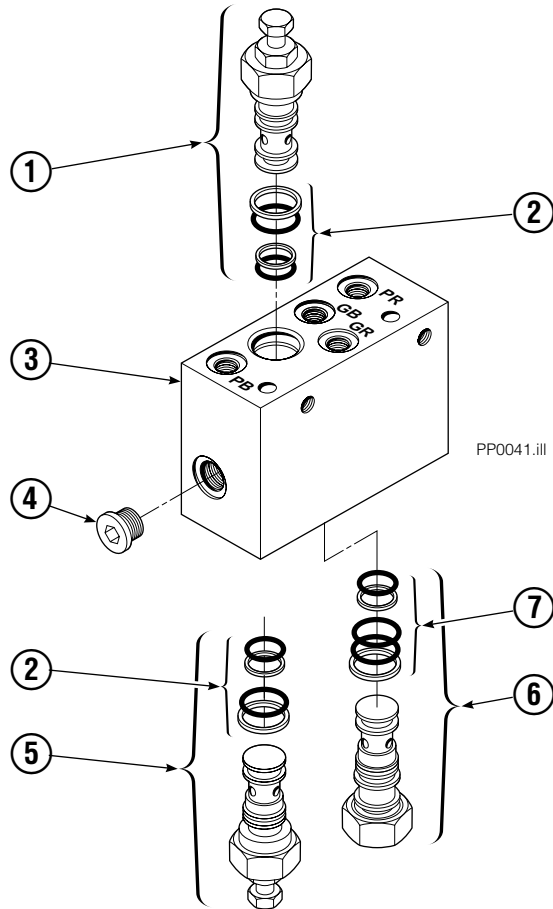
35E/45E			
REF	QTY	PART NO.	DESCRIPTION
		221892	Hydraulic Group
1	1	200320	Hose
2	2	200527	Hose
3	1	2375	Fitting, 6-6
4	8	604511	Fitting, 6-6
5	1	682812	■ Valve
6	2	787373	Capscrew, M8 x 20
7	2	684570	Hose ITA II
8	2	684956	Cable tie
9	4	605235	Fitting 5-6
10	1	200647	Tube
11	2	604510	Plug, 6
12	1	200649	Tube
13	1	200648	Tube

■ See Valve page for parts breakdown.

Reference: 200528 Hydraulic Components Group.

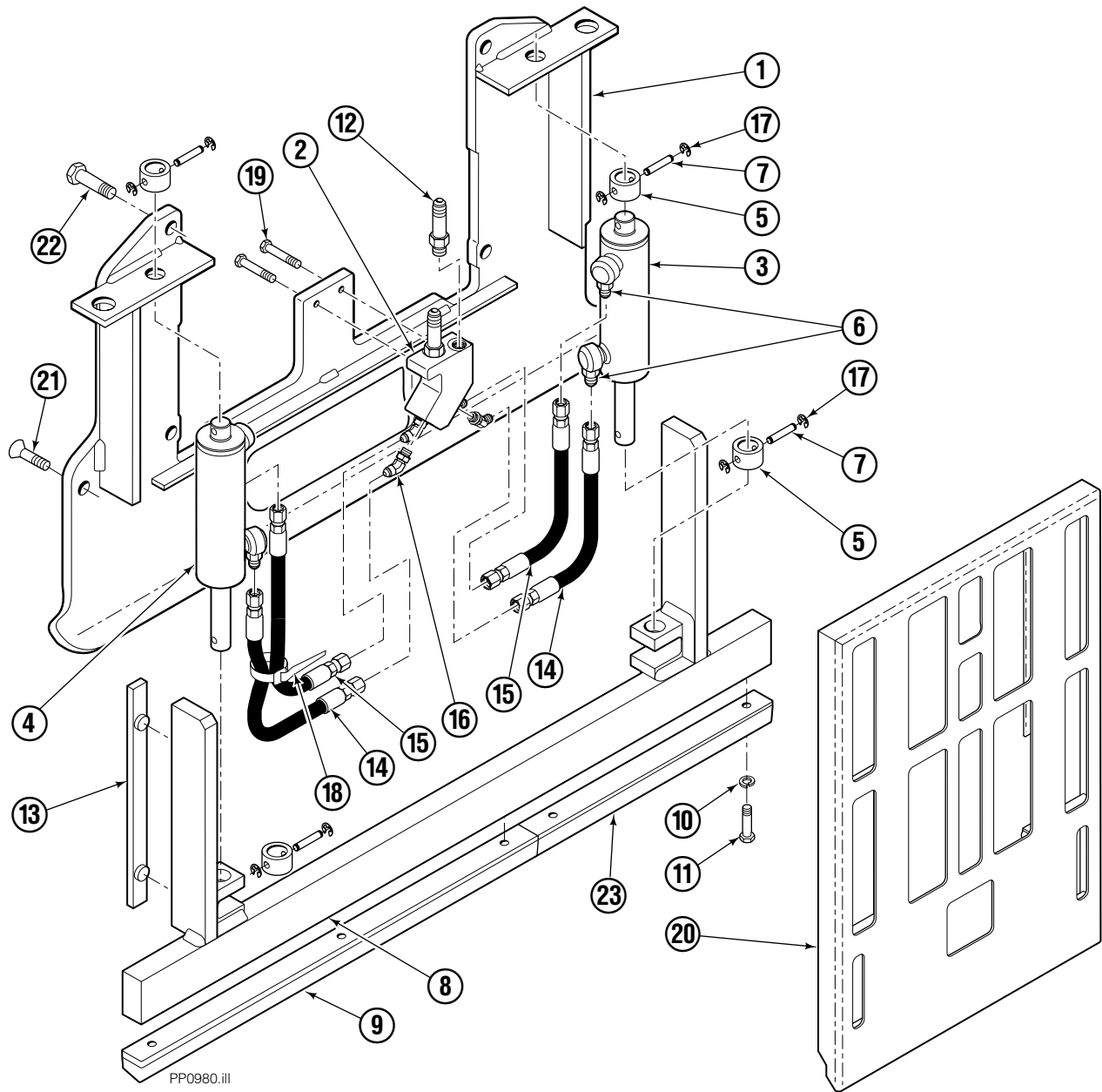
# Valve

## Load Push/Pull



REF	QTY	PART NO.	DESCRIPTION
		682812	Valve Assembly
1	1	677125	Sequence Valve (Retract)
2	2	669597	Service Kit
3	1	682813	Body
4	5	663694	Fitting, 3
5	1	677124	Sequence Valve (Extend)
6	1	659058	Gripper Check Valve
7	1	667516	Service Kit

# Faceplate Group



## 45E

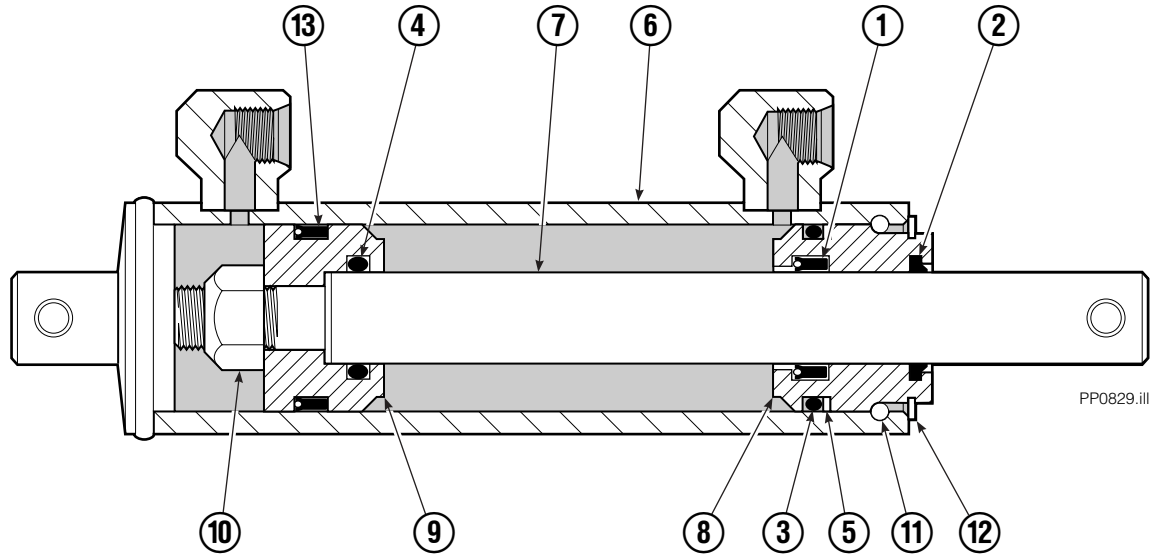
REF	QTY	PART NO.	DESCRIPTION	REF	QTY	PART NO.	DESCRIPTION
		6029952	Faceplate Group, 34 x 54 in. ■	12	2	604511	Fitting, 6-6
		6029955	Gripper Jaw Assembly ●	13	2	686573	Bearing
1	1	6019465	Gripper Jaw	14	2	6002138	Hose
2	1	6002134	Valve	15	2	6002139	Hose
3	1	6020444	Gripper Cylinder, LH ◆	16	4	617918	Fitting, 4-4
4	1	6020443	Gripper Cylinder, RH ◆	17	8	669894	Retaining Ring
5	4	6020462	Collar	18	4	684956	Wire Tie
6	4	617915	Fitting, 4-4	19	2	787373	Capscrew, M8 x 20
7	4	6014089	Pin	20	1	6029953	Faceplate, 34x 54 in. ■
8	1	6029958	Gripper Bar	21	2	768714	Capscrew, M16 x 60
9	1	6019467	Gripper Pad, RH	22	4	225346	Capscrew, M16 x 60
10	5	680253	Lockwasher, M8	23	1	6019468	Gripper Pad, LH
11	5	787375	Capscrew, M8 x 20				

■ Width x height.

● Includes items 1-19.

◆ See Gripper Cylinder page(s) for parts breakdown.

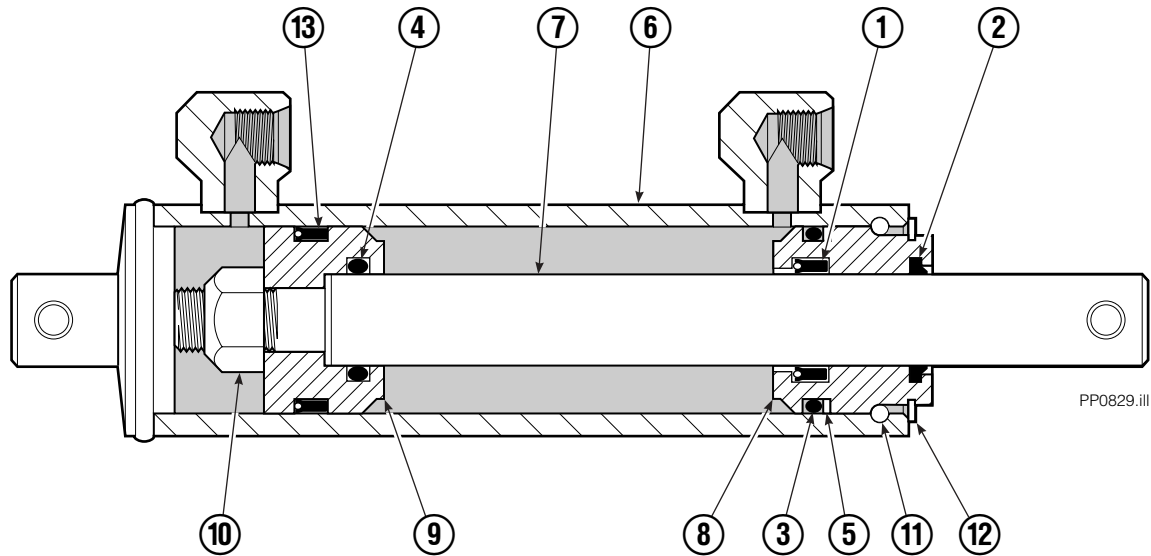
# Gripper Cylinder Left Hand



REF	QTY	PART NO.	DESCRIPTION
		6020444	Gripper Cylinder - LH
1	1	646540	▼ Seal
2	1	636850	▼ Wiper
3	1	2718	▼ O-Ring
4	1	2710	▼ O-Ring
5	1	615122	▼ Back-Up Ring
6	1	6020453	Shell
7	1	6020461	Rod
8	1	685664	Retainer
9	1	685665	Piston
10	1	563462	Nut
11	1	563916	Ring
12	1	3137	Ring
13	1	663728	▼ Piston Seal

▼ Included in Service Kit 684827.

# Gripper Cylinder Right Hand



PP0829.iii

REF	QTY	PART NO.	DESCRIPTION
		6020443	Gripper Cylinder – RH
1	1	646540	▼ Seal
2	1	636850	▼ Wiper
3	1	2718	▼ O-Ring
4	1	2710	▼ O-Ring
5	1	615122	▼ Back-Up Ring
6	1	6020452	Shell
7	1	6020461	Rod
8	1	685664	Retainer
9	1	685665	Piston
10	1	563462	Nut
11	1	563916	Ring
12	1	3137	Ring
13	1	663728	▼ Piston Seal

▼ Included in Service Kit 684827.



**Do you have questions you need answered right now?** Call your nearest Cascade Parts Department. Visit us online at [www.cascorp.com](http://www.cascorp.com)

**Cascade Corporation**

2501 Sheridan Avenue  
Springfield, OH 45505  
Tel: 888-CASCADE (227-2233)  
FAX: 888-329-0234

**Cascade Canada Inc.**

5570 Timberlea Blvd.  
Mississauga, Ontario  
Canada L4W-4M6  
Tel: 905-629-7777  
FAX: 905-629-7785

**Cascade GmbH**

D-41199 Monchengladbach  
Klosterhofweg 52  
Germany  
Tel: 49-216-668230  
FAX: 49-216-6682323

**Cascade Finland**

Albert Petreliuksenkatu 3  
01370 Vantaa  
Finland  
Tel: 358-9-836-1925  
FAX: 358-9-836-1935

**Cascade N.V.  
European Headquarters**

P.O. Box 3009  
1300 El Almere  
Damsluisweg 56  
1332 ED Almere  
The Netherlands  
Tel: 31-36-5492911  
FAX: 31-36-5492964

**Cascade N.V.  
Benelux Sales and Service**

P.O. Box 3009  
1300 El Almere  
Damsluisweg 56  
1332 ED Almere  
The Netherlands  
Tel: 31-36-5492950  
FAX: 31-36-5492974

**Cascade (UK) Ltd.**

15, Orgreave Crescent  
Dore House Industrial Estate  
Handsworth  
Sheffield S13 9NQ  
England  
Tel: 742-697524  
FAX: 742-695121

**Cascade Scandinavia AB**

Box 124  
Hammarvägen 10  
567 23 Vaggeryd  
Sweden  
Tel: 42-0-393-36950  
FAX: 46-0-393-36959

**Cascade Norway**

Østerliveien 37A  
1153 Oslo  
Norway  
Tel: 47-22-743160  
FAX: 47-22-743157

**Cascade France S.A.R.L.**

1D Rue De Charaintru  
BP 18, 91360 Epinay-Sur-Orge  
Morangis Cedex, France  
Tel: 33-1- 64547500  
FAX: 33-1-64547501

**Cascade Hispania S.A.**

Carrer 5 Sector C  
Zona Franca Duanera  
Poligono de la Zon Franca  
08040 Barcelona, Spain  
Office No. 256  
Tel: 93-264-07-30  
FAX: 93-264-07-31

**Cascade Japan Ltd.**

5-5-41,  
Torikai Kami  
Settsu, Osaka  
Japan, 566  
Tel: 81-726-53-3490  
FAX: 81-726-53-3497

**Cascade Korea**

108B, Namdong Ind Complex  
658-3 Gojan-Dong  
Namdong-Gu  
Inchon, 405-310 Korea  
Tel: 82-32-821-2051  
FAX: 82-32-821-2055

**Cascade Australia**

1445 Ipswich Road  
Rocklea, QLD 4106  
Australia  
Tel: 1-800227-223  
FAX: (07) 3373-7333

**Cascade New Zealand**

15 Ra Ora Drive  
East Tamaki, Auckland  
New Zealand  
Tel: 9-273-9136  
FAX: 9-273-9137

**Cascade (Africa) Pty. Ltd.**

P.O. Box 625, Isando 1600  
60A Steel Road  
Sparton, Kempton Park  
South Africa  
Tel: 27-11-975-9240  
FAX: 27-11-394-1147

**Cascade-Xiamen**

No. 668 Yangguang Rd.  
Xinyang Industrial Zone  
Haicang, Xiamen City  
Fujian Province  
P.R. China 361026  
Tel: 86-592-651-2500  
FAX: 86-592-651-2571

**Cascade (Singapore)  
Trading Co.**

Four Seasons Park  
Autumn Block - Apt. 1802  
12 Cuscaden Walk  
Singapore  
Tel: 65-834-1935  
FAX: 65-834-1936

