



# Technical Bulletin

## Determining Usable Widths on Truck Carriages

This sheet provides guidelines to match the mounting hooks on a Cascade Sideshifters and Fork Positioners to the truck carriage. Truck carriage width can affect the installation of a Cascade Sideshifters and Fork Positioners based on how it is measured. The Sideshifter and Fork Positioner's specified minimum truck carriage width or hook spread must be less than the truck carriage's usable width.

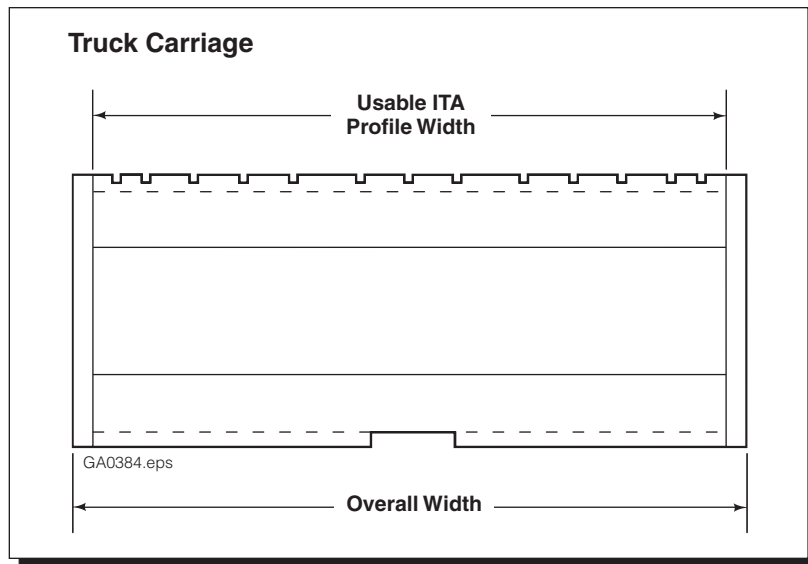
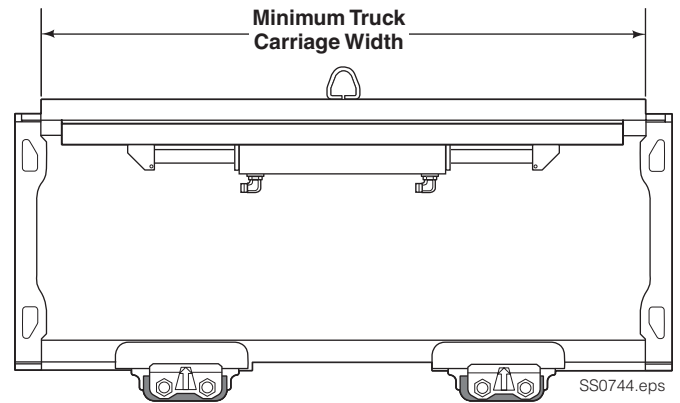
Refer to the backside for further considerations.

### DEFINITIONS

**Overall Width** – The overall width of the carriage used to determine load backrest width.

**Usable ITA Profile Width** – The width of the carriage (ITA Profile) available for a Sideshifter or Fork Positioner to mount on.

**Minimum Truck Carriage Width** – The minimum carriage width required for upper and lower hook mounting.



**NOTE:** This information should not be interpreted as the basis for warranty claims unless so designated.



### For Technical Support . . .

Call: 1-800-CASCADE (227-2233)

**OR**

Write: Cascade Corporation, PO Box 20187, Portland, OR 97294-0187

### To Order Parts . . .

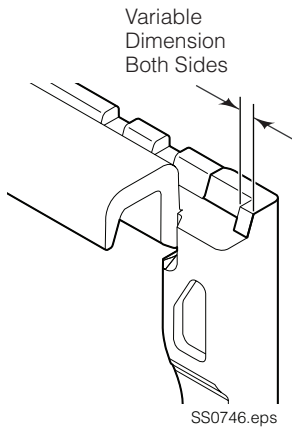
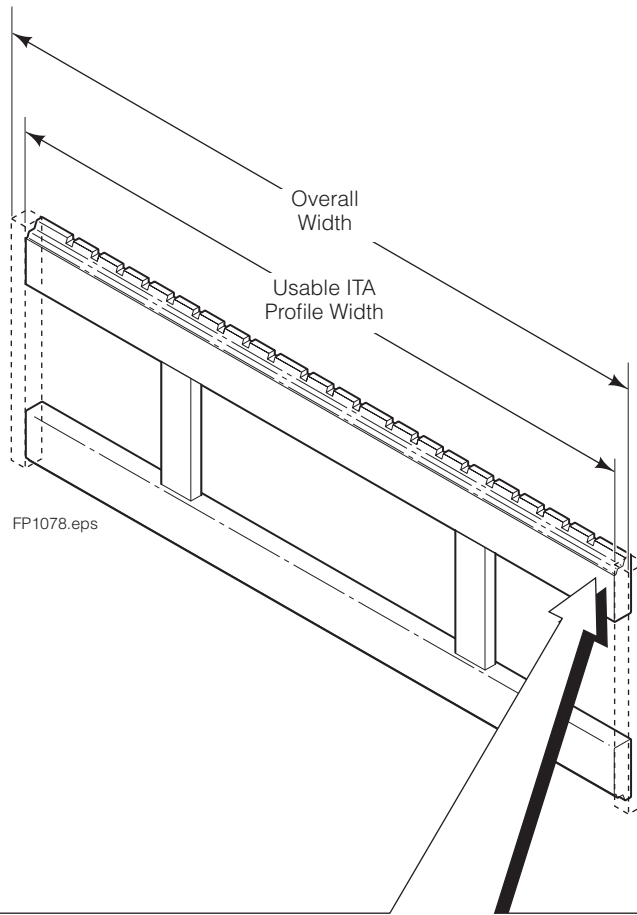
Call: 1-888-CASCADE (227-2233)

**OR**

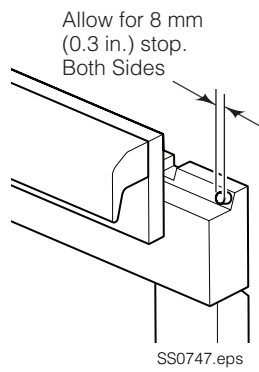
Write: Cascade Corporation, 2501 Sheridan Ave., Springfield, OH 45505

## END BAR AND FORK STOP CONSIDERATIONS

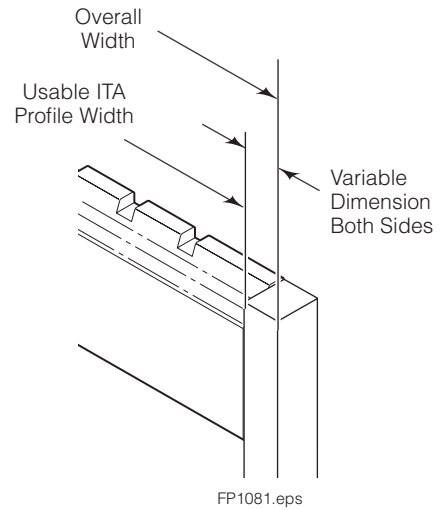
The following items may reduce Usable ITA Profile Width for mounting Sideshifters and Fork Positioners:



**Integral Fork Stop**



**Welded Fork Stop**



**Welded End Bars**