

# **P**ARTS MANUAL

---

## ***40D Forward Bin Dumper***

***This manual contains standard production  
Product Identification Numbers***

40D-BD-010 → 024

Special Engineered Options are not included.

***Manual Number 222618***

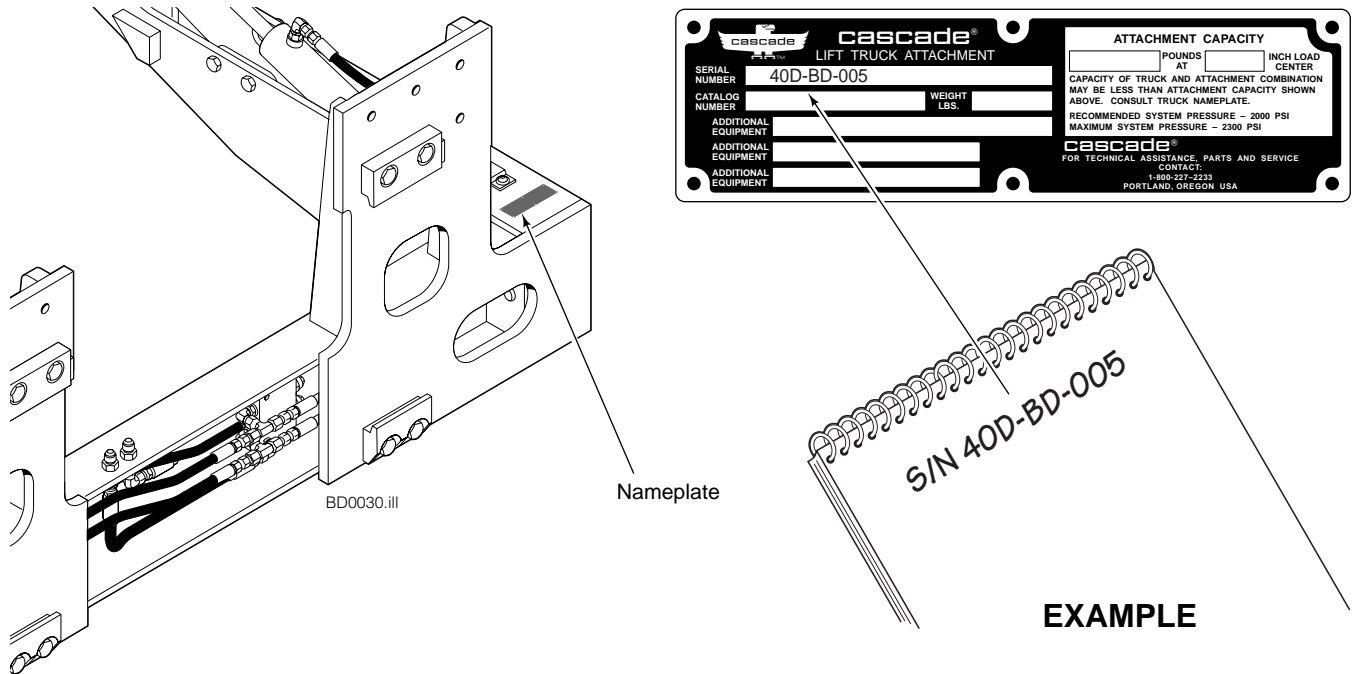
**cascade<sup>®</sup>**

Cascade is a Registered Trademark of Cascade Corporation

# About This Manual

## Introduction

This Parts Manual shows the parts breakdown for 40D Forward Bin Dumper product I.D. numbers. Locate the product I.D. number on the Nameplate. If this nameplate is missing, number is also stamped on the Lower Frame. This number must be used when ordering replacement parts for this product.



## Ordering Parts

**Customers** – Cascade parts and service literature is available worldwide through authorized lift truck dealers. To place an order, contact the lift truck dealer of your choice.

**Lift Truck Dealers** – To order parts and service literature contact:

**Cascade Parts Sales**  
2501 Sheridan Avenue  
Springfield, OH 45505  
Telephone: 888-CASCADE (227-2233)  
FAX: 888-329-0234



**WARNING:** For the safety of yourself and others, DO NOT install the parts shown in this Manual unless you have thoroughly reviewed the appropriate Service Manual.

# Serial Number Index

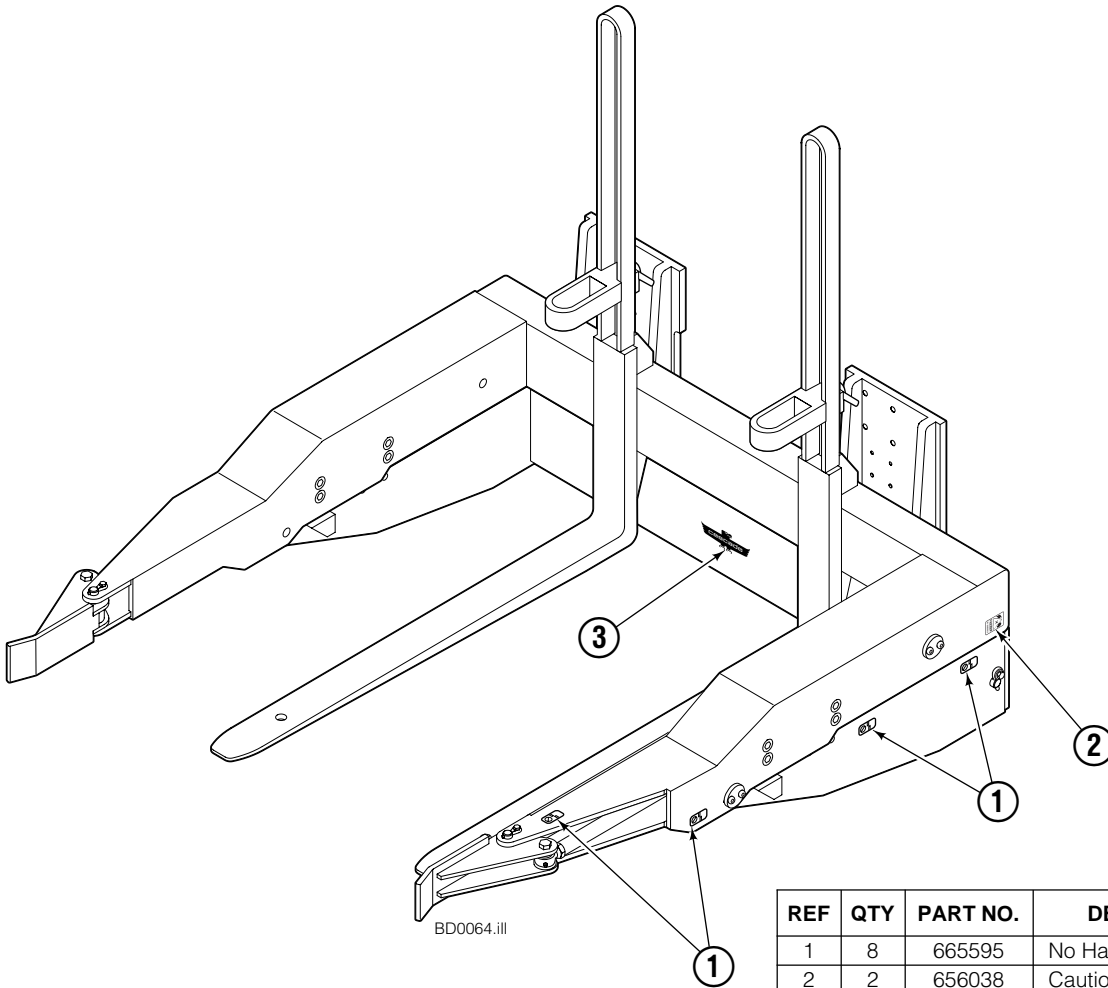
Serial Number	Upper Frame Group Page	Lower Frame Group Page	Hydraulic Group Page	Mounting Group Page
40D-BD-010	1	2	4	5
40D-BD-011	1	2	4	6
40D-BD-012	1	2	4	5
40D-BD-013	1	2	4	5
40D-BD-016	1	2	4	5
40D-BD-021	1	2	4	5
40D-BD-022	1	2	4	5
40D-BD-023	1	2	4	5
40D-BD-024	1	2	4	5

# Recommended Spare Parts List

<b>40D Bin Dumper</b>				
<b>PART NO.</b>	<b>DESCRIPTION</b>	<b>ATTACHMENTS SERVICED</b>		
		<b>1-5</b>	<b>6-15</b>	<b>16-50</b>
<b>UPPER FRAME GROUP</b>				
399087	Bushing	4	8	8
689954	Eye Pin	8	8	8
676069	Shim	16	24	24
676070	Shim	24	32	32
<b>LOWER FRAME GROUP</b>				
661785	Cushion	4	8	8
399116	Bushing	4	8	8
<b>PUSH ROD GROUP</b>				
399456	Rod End	2	4	4
399459	Bearing	4	8	8
<b>CYLINDER</b>				
553861	Service Kit	1	2	3
<b>MOUNTING GROUP</b>				
■	Upper Hook	2	4	4
■	Capscrew	4	8	8
675968	Lower Hook, ITA II	1	2	2
675969	Lower Hook, ITA III	1	2	2
<b>PAINT</b>				
212988	12 oz. Aerosol Can, Gray	1	1	1
<b>PUBLICATIONS</b>				
222618	Parts Manual	1	1	1
219472	Service Manual	1	1	1
217666	Installation Instructions	1	1	1
217562	Operator's Guide	1	1	1
679929	Tool Catalog	1	1	1
673964	Literature Index Order Form	1	1	1

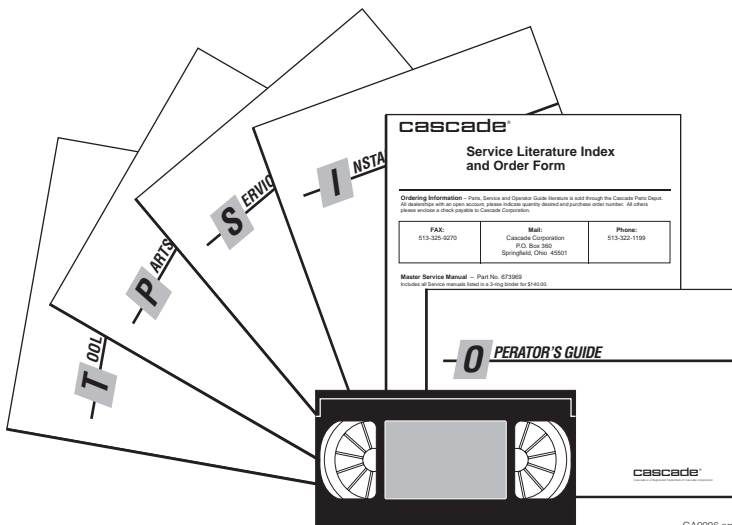
■ See specific parts page for part number.

# Decals



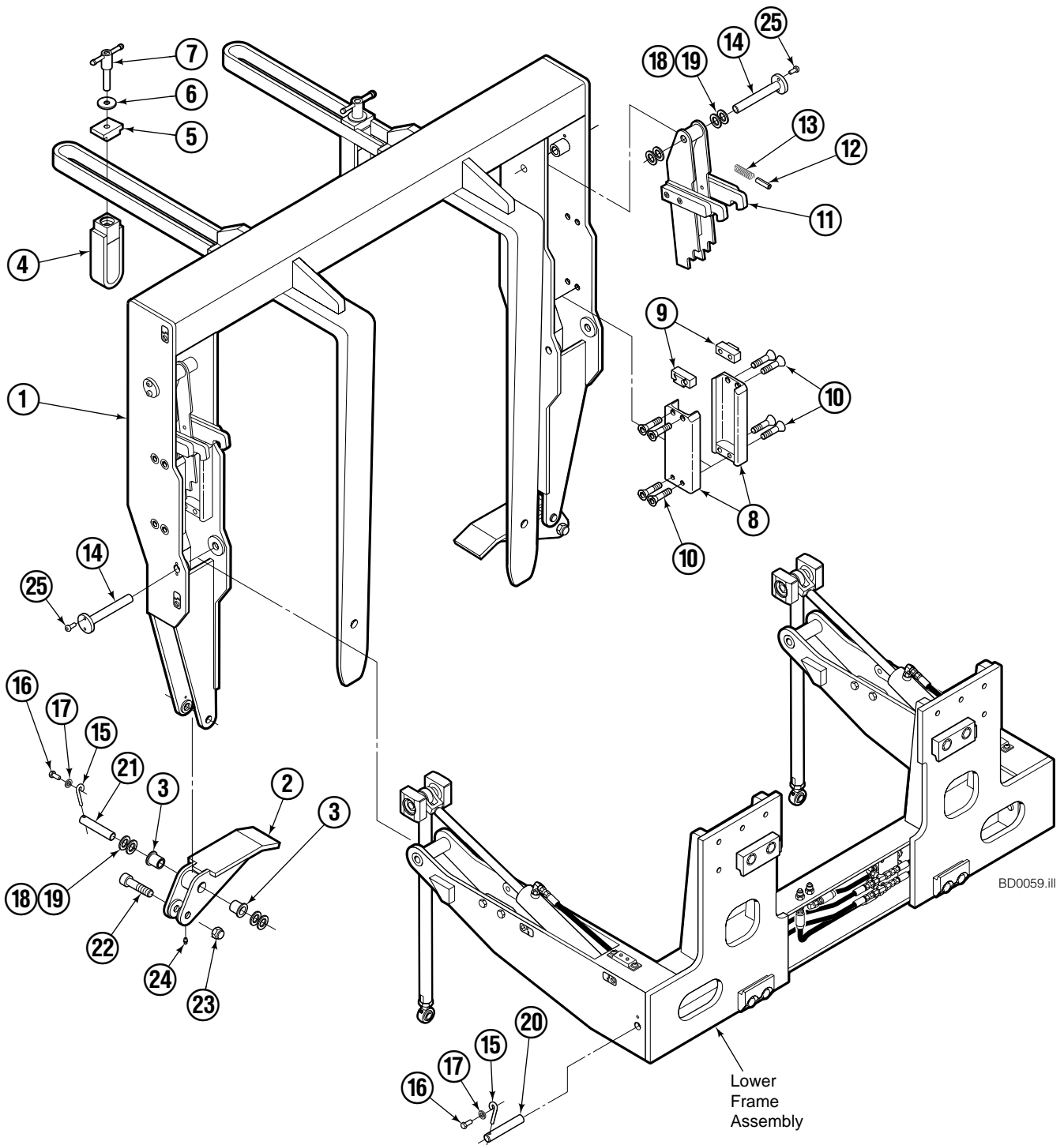
REF	QTY	PART NO.	DESCRIPTION
1	8	665595	No Hand Hold Decal
2	2	656038	Caution Decal
3	1	211274	Eagle – 80 mm

# Publications



PART NO.	DESCRIPTION
222618	Parts Manual
219472	Service Manual
217562	Operators Guide
217666	Installation Instructions
679929	Tool Catalog
673964	Literature Index Order Form

# Upper Frame Assembly



# Upper Frame Assembly

40D							
REF	QTY	Bin Width					DESCRIPTION
		46 in. PART NO.	48 in. PART NO.	50 in. PART NO.	60 in. PART NO.	72 in. PART NO.	
		222373	220464	3002908	220465	220466	Upper Frame Assembly
1	1	222451	220439	3002912	220440	220441	Upper Frame

## Common items.

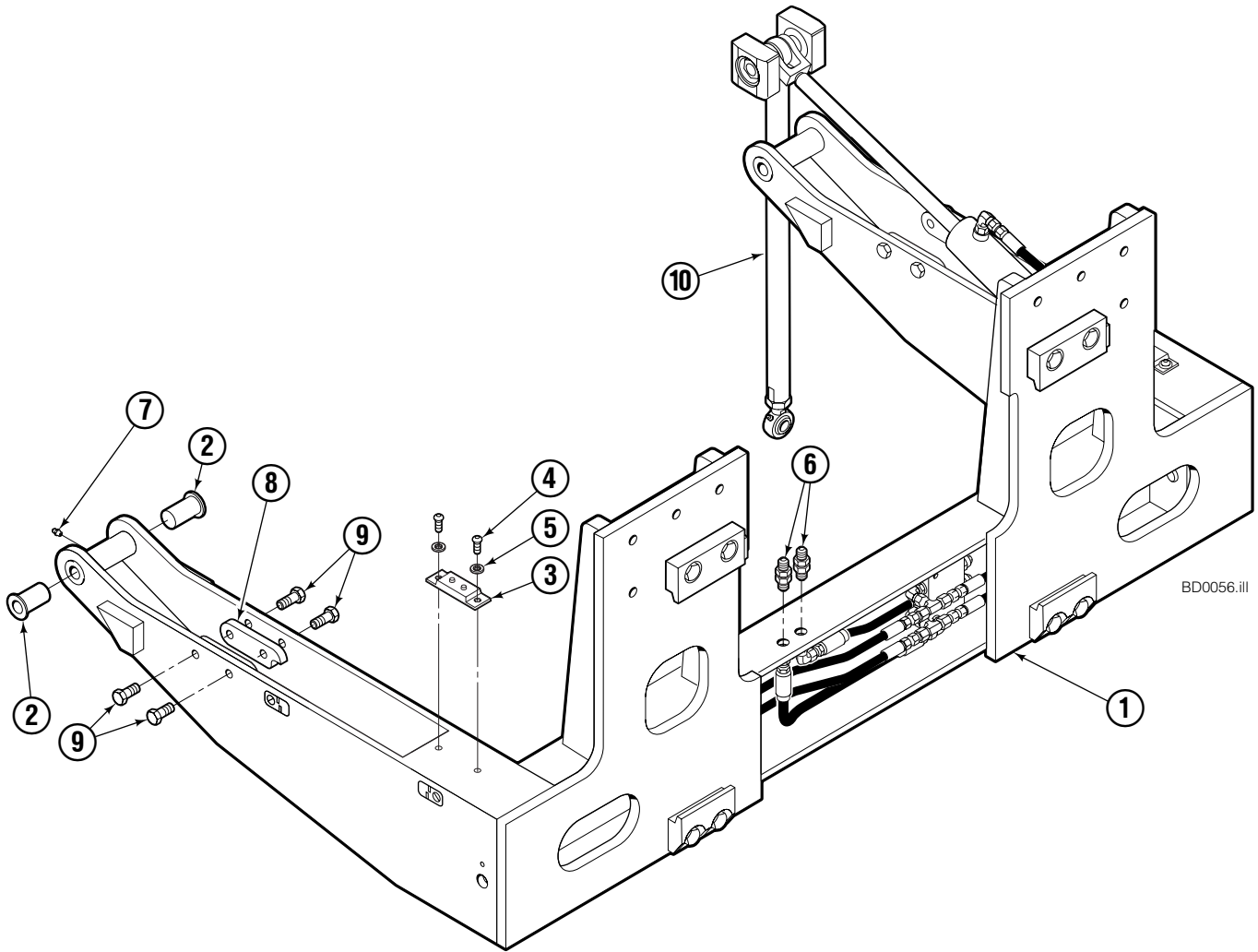
REF	QTY	PART NO.	DESCRIPTION
2	2	399470	Foot Assembly
3	4	399087	Bushing ▲
4	2	399476	Hold Down Assembly
5	2	399481	Clamp ■
6	2	6236	Washer ■
7	2	399477	Handle ■
8	4	219368	Housing
9	4	399454	Housing Cap
10	16	768713	Capscrew, M16x50-8.8
11	2	219369	Latch Assembly
12	2	7960	Roll Pin
13	2	396995	Spring
14	4	220433	Pin
15	4	689954	Eye Pin
16	4	767961	Capscrew, M8x16-8.8
17	4	6229	Washer, 3/8
18	16	676069	Shim
19	24	676070	Shim
20	2	399115	Pin
21	2	399484	Pin
22	2	768856	Capscrew, M20x80-8.8
23	2	561667	Locknut, M20
24	2	7403	Grease Fitting
25	8	220436	Capscrew, M6x16-10.9

▲ Included in Foot Assembly 399470.

■ Included in Hold Down Assembly 399476.

Reference: Common Parts Group 220540, SK-6290, SK-6288.

# Lower Frame Assembly



BD0056.ill

40D							
REF	QTY	Bin Width					DESCRIPTION
		46 in.	48 in.	50 in.	60 in.	72 in.	
		PART NO.	PART NO.	PART NO.	PART NO.	PART NO.	
		222371	219562	3004494	220462	220463	Lower Frame Assembly
1	1	10148-1168	10148-1219	10148-1270	10148-1524	10148-1829	Lower Frame

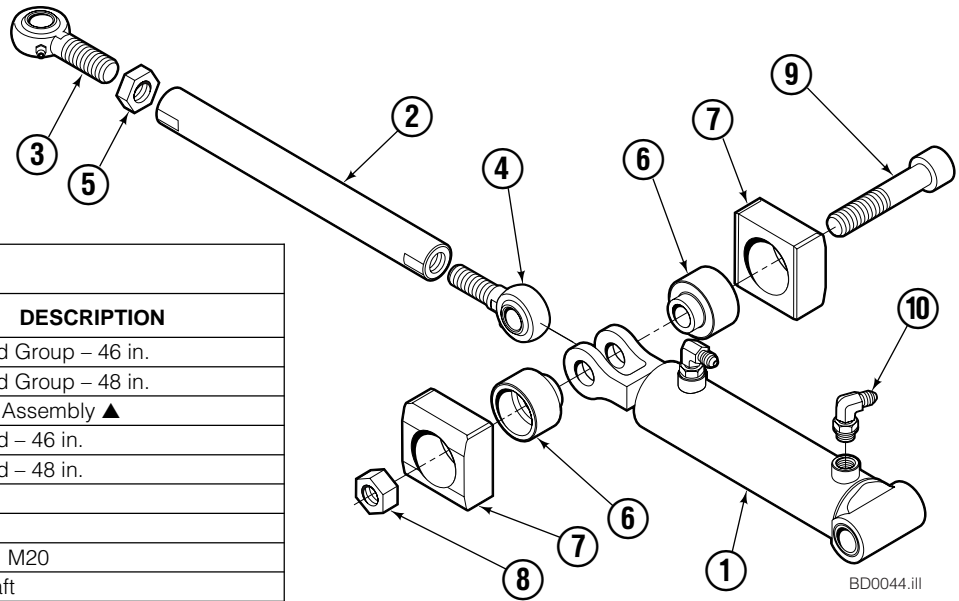
Reference: S-10148, S-10183.

## Common items.

REF	QTY	PART NO.	DESCRIPTION	REF	QTY	PART NO.	DESCRIPTION
2	4	399116	Bushing	7	2	7403	Grease Fitting
3	2	661785	Cushion	8	4	219381	Latch Plate
4	4	4869	Capscrew, 3/8 x .50 GR8	9	8	763101	Capscrew, M16x25-8.8
5	4	6287	Lockwasher, 3/8	10	1	222437	Push Rod Group – 46 in. Bin Depth ▲
6	2	2375	Fitting, 6-6		1	219372	Push Rod Group – 48 in. Bin Depth ▲

▲ See Push Rod Group page for parts breakdown.  
Reference: Common Parts Group 220541, SK-6293.

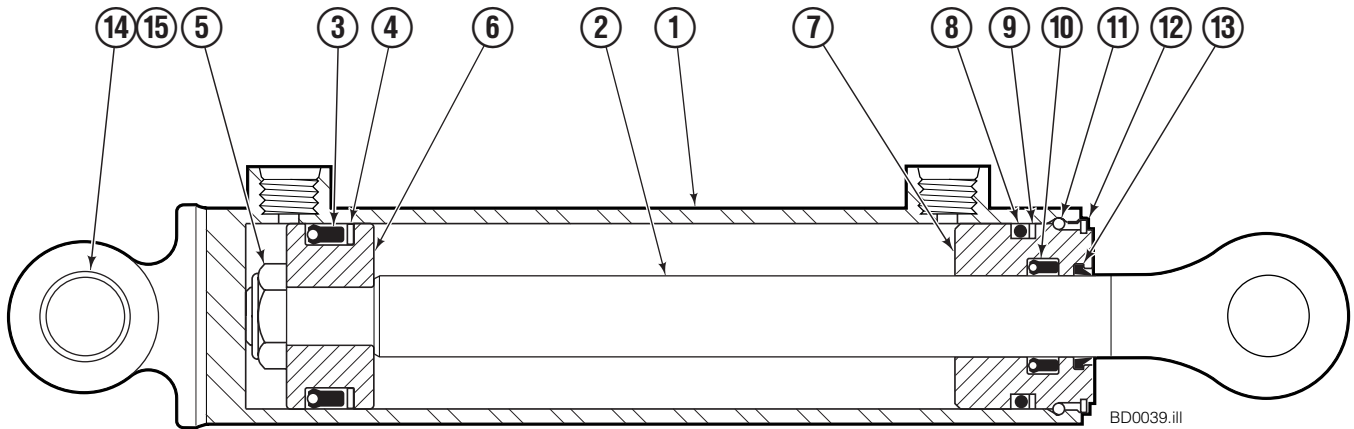
## Push Rod Group



40D			
REF	QTY	PART NO.	DESCRIPTION
		222437	Push Rod Group – 46 in.
		219372	Push Rod Group – 48 in.
1	2	3000681	Cylinder Assembly ▲
2	2	8943-680	Push Rod – 46 in.
	2	8943-731	Push Rod – 48 in.
3	2	399456	Rod End
4	2	399460	Rod End
5	2	399457	Jam Nut, M20
6	4	219371	Stub Shaft
7	4	399459	Bearing
8	2	769150	Nut, M20
9	2	768860	Capscrew, M20x100-8.8
10	4	666984	Fitting, 6-6

▲ See Cylinder Assembly for parts breakdown.  
Reference: Common Parts Group 219373, SK-6291, SK-6295.

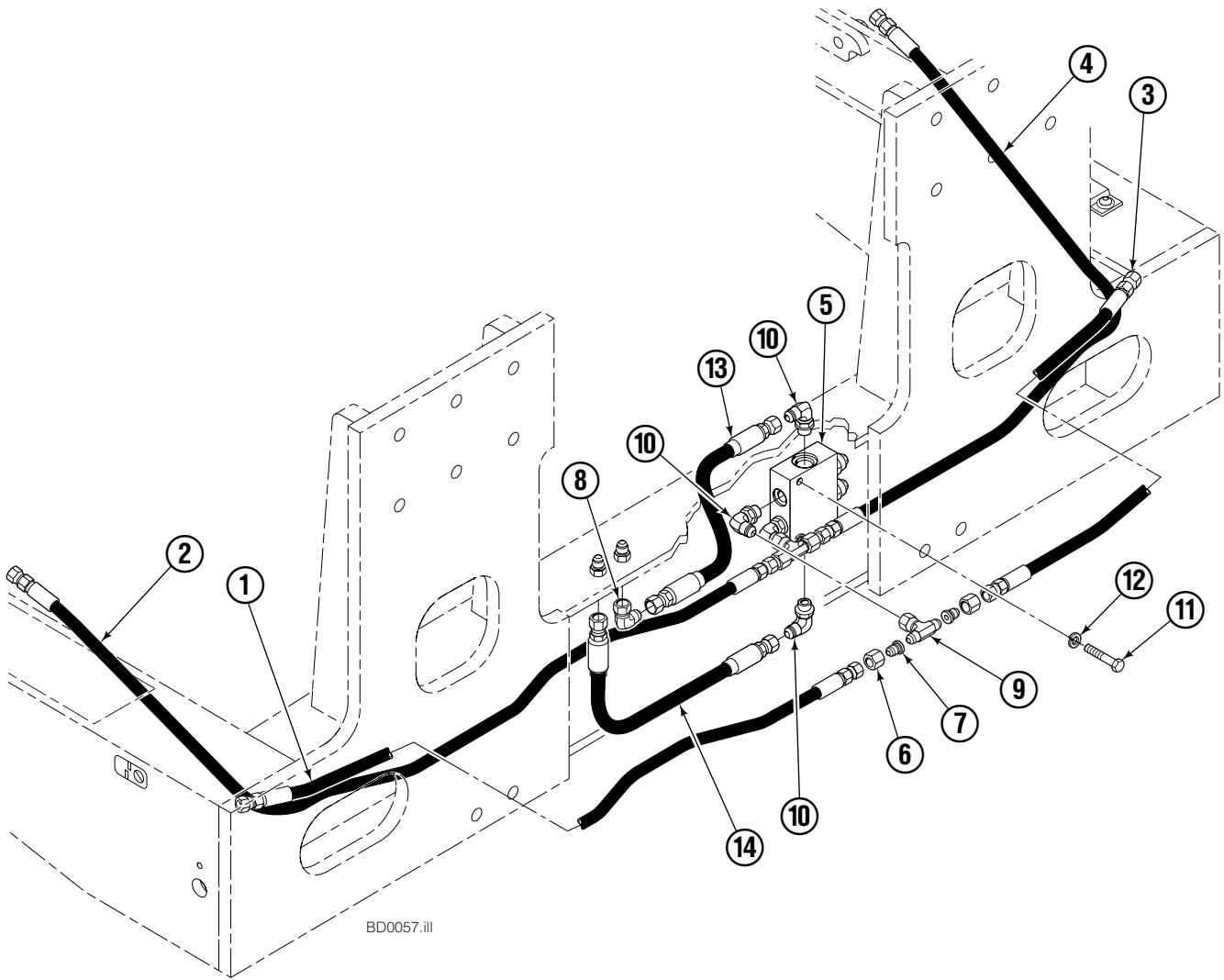
## Cylinder Assembly



40D							
REF	QTY	PART NO.	DESCRIPTION	REF	QTY	PART NO.	DESCRIPTION
		3000681	Cylinder Assembly	9	1	615128	Back-Up Ring ▲
1	1	399093	Shell	10	1	641835	Seal ▲
2	1	3000683	Rod	11	1	553856	Retaining Ring
3	1	662452	Seal ▲	12	1	7202	Snap Ring
4	1	638247	Nylon Ring ▲	13	1	636851	Wiper ▲
5	1	553857	Nut	14	2	559697	Bushing
6	1	553501	Piston	15	1	559698	Spacer
7	1	553500	Retainer			553861	Service Kit
8	1	2785	O-Ring ▲				

▲ Included in Service Kit 553861.  
Reference: S-8945, S-8948.

# Hydraulic Group



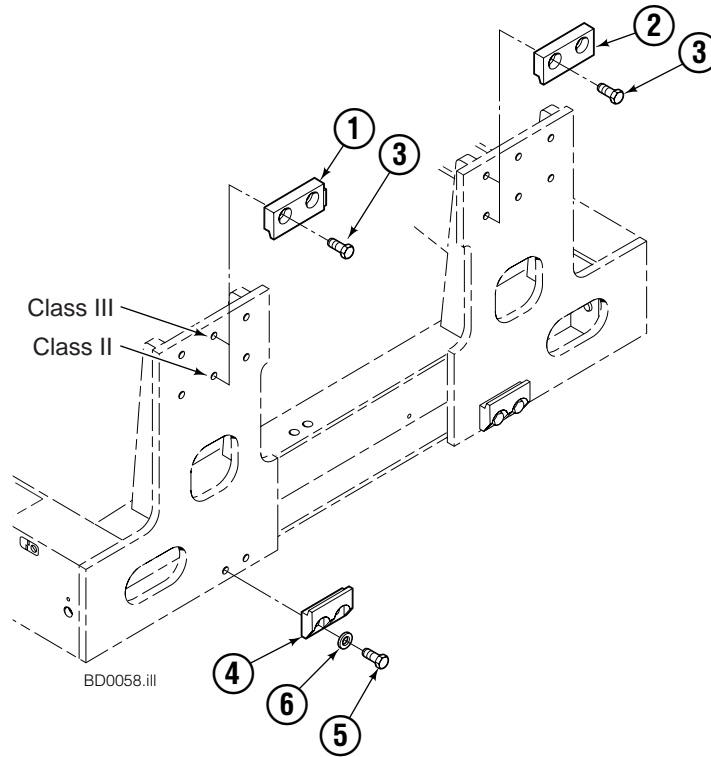
BD0057.ill

40D							
REF	QTY	Bin Width					DESCRIPTION
		46 in.	48 in.	50 in.	60 in.	72 in.	
		PART NO.	PART NO.	PART NO.	PART NO.	PART NO.	
		222372	220160	220161	220515	220516	Hose Group
1	1	222428	398281	207572	221622	221620	Hose
2	1	222429	386480	383891	221623	221621	Hose
3	1	397035	381597	207284	398281	221622	Hose
4	1	388419	207234	207568	386480	221623	Hose

REF	QTY	PART NO.	DESCRIPTION	REF	QTY	PART NO.	DESCRIPTION
		220159	Hydraulic Group	10	4	601676	Fitting, 6-6
5	1	220156	Valve Assembly	11	2	360785	Cap screw
6	4	2617	Fitting, 6	12	2	6287	Lockwasher
7	4	2669	Fitting, 6-4	13	1	361753	Hose
8	1	2680	Fitting, 6-6	14	1	359124	Hose
9	2	610892	Fitting, 6-6				

Reference: SK-6370.

# Bolt-On Mounting



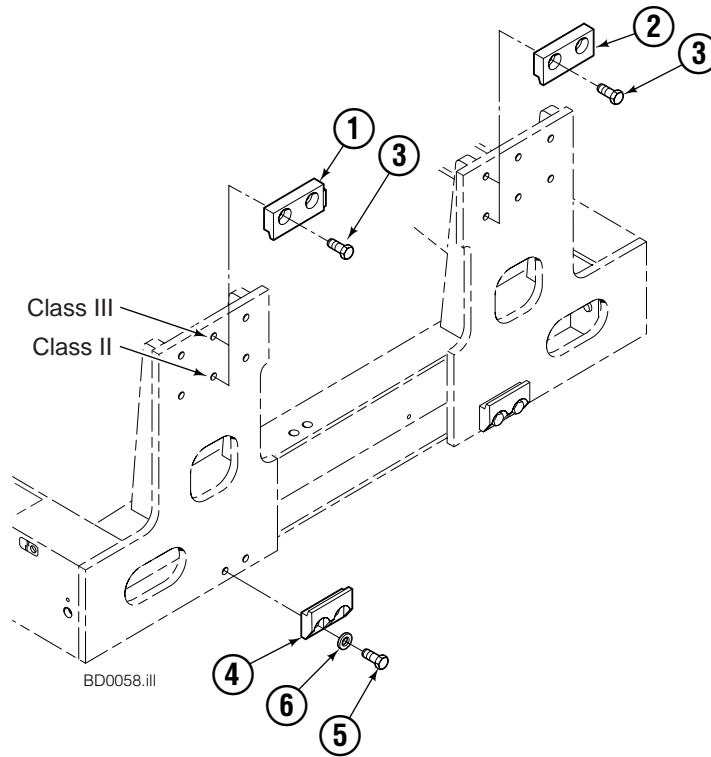
40D				
REF	QTY	ITA II PART NO.	ITA III PART NO.	DESCRIPTION
		220511	220513	Mounting Group
1	1	220987	220988	Upper Hook – LH
2	1	220985	220986	Upper Hook – RH
3	4	752903	752903	Capscrew, M16x45-8.8
4	2	▲ 675968	■ 675969	Lower Hook
5	4	▲ 779009	■ 779009	Capscrew, M16x30-8.8
6	4	▲ 667225	■ 667225	Washer, 5/8

▲ Included in Lower Hook Group 391334.

■ Included in Lower Hook Group 391335.

Reference: SK-6399.

# Bolt-On Mounting – Dual



40D			
REF	QTY	ITA II & ITA III PART NO.	DESCRIPTION
		3004536	Mounting Group
1	1	3005168	Upper Hook – LH
2	1	3005169	Upper Hook – RH
3	4	752903	Capscrew, M16x45-8.8
4	2	▲ 675968	Lower Hook
	2	■ 675969	Lower Hook
5	4	▲ ■ 779009	Capscrew, M16x30-8.8
6	4	▲ ■ 667225	Washer, 5/8

▲ Included in Lower Hook Group 391334.

■ Included in Lower Hook Group 391335.

Reference: SK-6399.



**Do you have questions you need answered right now?** Call your nearest Cascade Parts Department.

**Cascade Corporation**  
2501 Sheridan Avenue  
Springfield, OH 45505  
Tel: 888-CASCADE (227-2233)  
FAX: 888-329-0234

**Cascade Canada Inc.**  
5570 Timberlea Blvd.  
Mississauga, Ontario  
Canada L4W-4M6  
Tel: 905-629-7777  
FAX: 905-629-7785

**Cascade GmbH**  
D-41199 Monchengladbach  
Klosterhofweg 52  
Germany  
Tel: 21-66-602091  
FAX: 21-66-680947

**Cascade Finland**  
01370 Vantas  
Finland  
Tel: 358-0-836-1925  
FAX: 358-0-836-1935

**Cascade N.V.  
European Headquarters**  
P.O. Box 3009  
1300 El Almere  
Damsluisweg 56  
1332 ED Almere  
The Netherlands  
Tel: 31-36-5492911  
FAX: 31-36-5492964

**Cascade N.V.  
Benelux Sales and Service**  
P.O. Box 3009  
1300 El Almere  
Damsluisweg 56  
1332 ED Almere  
The Netherlands  
Tel: 31-36-5492950  
FAX: 31-36-5492974

**Cascade (UK) Ltd.**  
15, Orgreave Crescent  
Dore House Industrial Estate  
Handsworth  
Sheffield S13 9NQ  
England  
Tel: 742-697524  
FAX: 742-695121

**Cascade Scandinavia  
Hydraulik A.B.**  
Muskötgatan 19, E8-9  
S25466 Helsingborg  
Sweden  
Tel: 42-151135  
FAX: 42-152997

**Cascade Norway**  
Østerliveien 37A  
1153 Oslo  
Norway  
Tel: 47-22-743160  
FAX: 47-22-743157

**Cascade France S.A.R.L.**  
11, Rue Jean Charcot  
Zone Industrielle Sud or  
B.P. 22  
91421 Morangis Cedex  
France  
Tel: 1- 64547501  
FAX: 1-9790584

**Cascade Hispania S.A.**  
Avenida De La Fabregada, 7  
Hospitalet De Llobregat  
Barcelona  
Spain  
Tel: 3-335-5158  
FAX: 3-335-4756

**Cascade Japan Ltd.**  
5-5-41,  
Torikai Kami  
Settsu, Osaka  
Japan, 566  
Tel: 81-726-53-3490  
FAX: 81-726-53-3497

**Cascade Korea**  
Room 508, Pum Yang Bldg.  
750-14, Bang Bac-Dong  
Se-Cho Ku, Seoul  
Korea  
Tel: 2599-7131 ext. 512  
FAX: 2533-8089

**HYCO-Cascade Pty. Ltd.**  
1445 Ipswich Road  
Rocklea,  
Queensland 4107  
Australia  
Tel: 3-274-2722  
FAX: 3-274-3456

**HYCO-Cascade (NZ) Ltd.**  
15 Ra Ora Drive, East Tamaki  
P.O. Box 38-440  
Howick, Auckland  
New Zealand  
Tel: 9-273-9136  
FAX: 9-273-9137

**Cascade (Africa) Pty. Ltd.**  
P.O. Box 625, Isando 1600  
60A Steel Road  
Sparton, Kempton Park  
South Africa  
Tel: 975-9240  
FAX: 394-1147

**Cascade-Xiamen**  
Wanshan No. 1 Workshop  
Huli Road  
Xiamen 361006  
Fujian, PRC  
Tel: 592-562-4600  
FAX: 592-562-4671

**Cascade (Singapore)  
Trading Co.**  
Four Seasons Park  
Autumn Block - Apt. 1802  
12 Cascaden Walk  
Singapore  
Tel: 65-834-1935  
FAX: 65-834-1936

