



Parts Manual

Model Single-Double Pallet Handler

Serial Number 80E-FDS-C001R0

cascade[®]
corporation

For Technical Assistance call: 800-227-2233, Fax: 888-329-8207

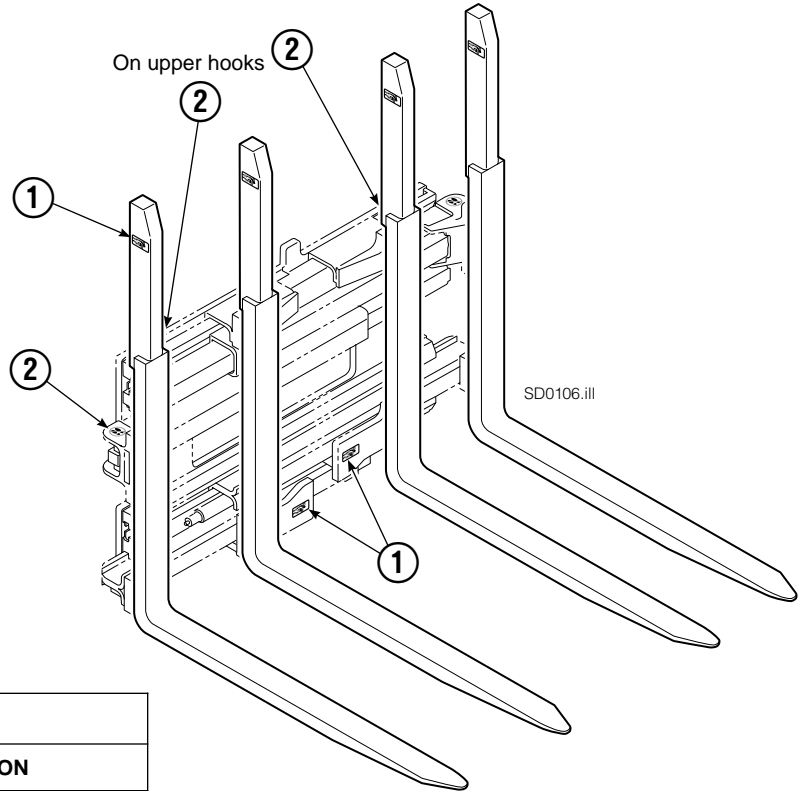
To Order Parts call: 888-227-2233, Fax: 888-329-0234

OR

Write: Cascade Corporation, P.O. Box 20187, Portland, OR 97220

Internet: www.cascorp.com

Decals



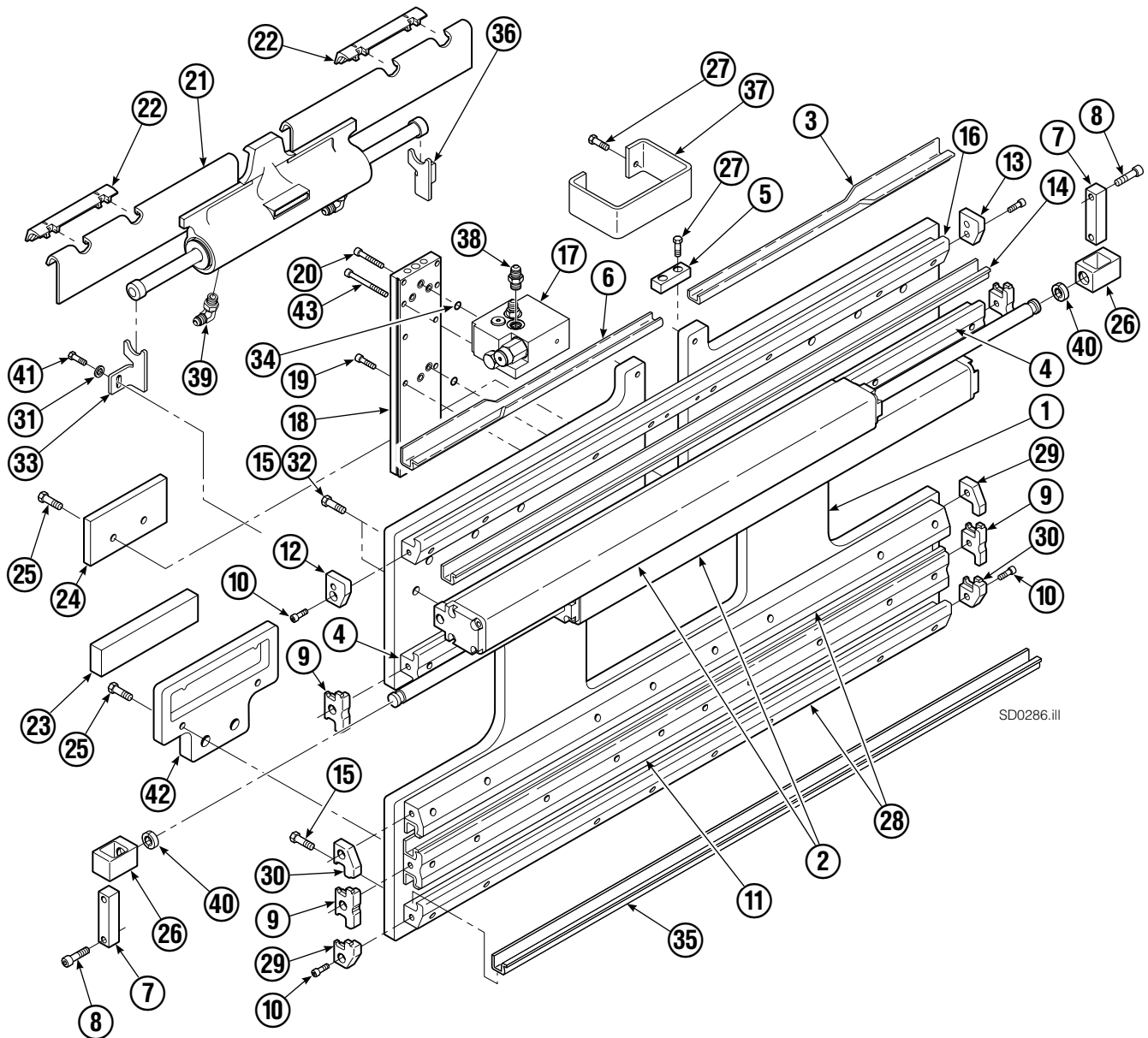
55E			
REF	QTY	PART NO.	DESCRIPTION
1	6	665595	No Hand Hold Decal
2	4	679150	No Step Decal

Publications



55E	
PART NO.	DESCRIPTION
	Parts Manual
213580	Operator's Guide
213372	Installation Instructions
679929	Tool Catalog
673964	Literature Index Order Form

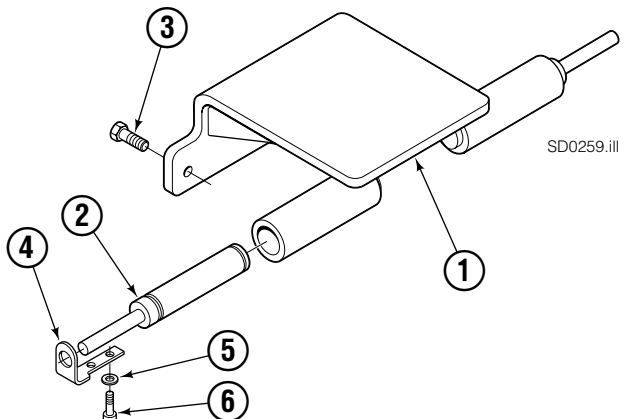
Base Unit Group



Inner Fork Control Group

80E			
REF	QTY	PART NO.	DESCRIPTION
		6102292	Inner Fork Control Group ▼
1	1	6102293	Bracket
2	2	225395	Gas Cylinder
3	3	683821	Capscrew, M12 x 20
4	2	230791	Retainer
5	4	202346	Washer, M6
6	4	768785	Capscrew, M6 x 10

▼ Included in Base Unit Group 6102327.

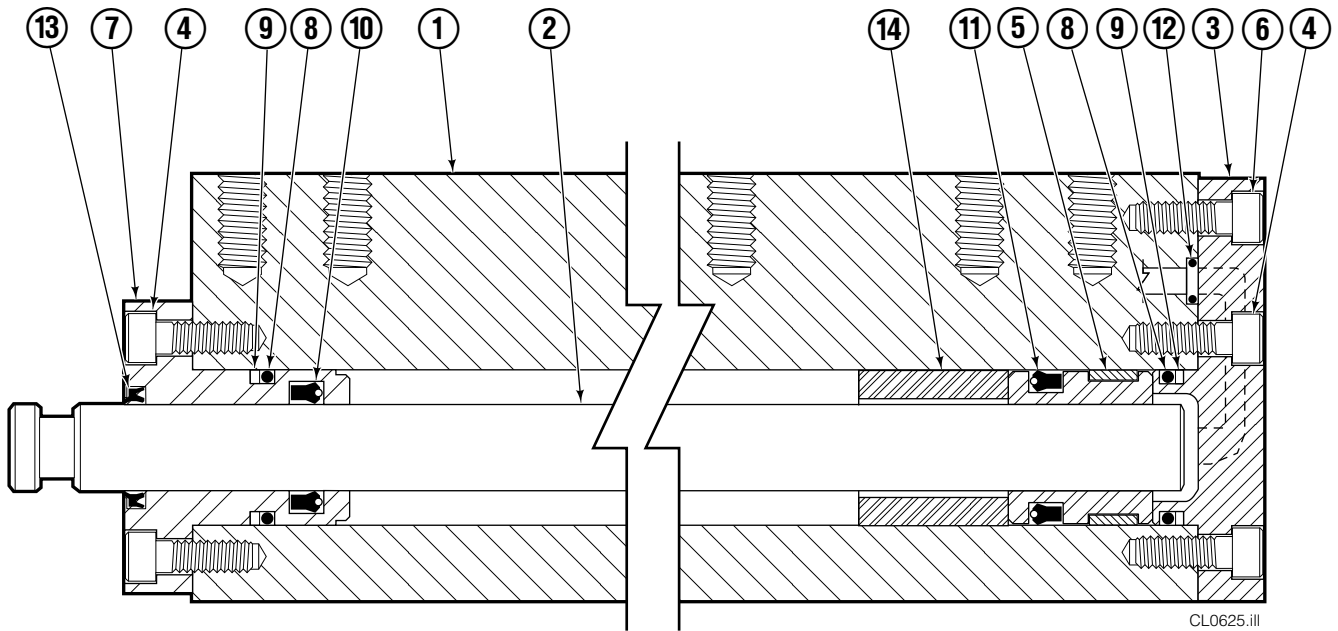


Base Unit Group

80E			
REF	QTY	PART NO.	DESCRIPTION
		6102327	Base Unit Group ▼
1	1	6102077	Baseplate
2	2	6009997	Frame Cylinder ★
3	1	4776-778	Bearing Segment – LH
4	2	6009202	T-Bar – Upper
5	1	6009866	Fork Stop
6	1	4777-778	Bearing Segment – RH
7	2	209844	Rod End Anchor
8	4	768828	Capscrew, M12 x 45
9	4	210141	Bearing Retainer
10	6	787375	Capscrew, M8 x 20
11	1	6009221	T-Bar – Lower
12	1	6005409	Retainer/Stop – RH
13	1	6005408	Retainer/Stop – LH
14	4	10603-1196	Bearing Segment
15	24	211129	Capscrew, M16 x 35
16	1	6009224	T-Bar – Upper
17	1	216838	Valve Assembly ▲
18	1	6102273	Manifold
19	4	768208	Capscrew, M8 x 25
20	2	768800	Capscrew, M8 x 60
21	1	6102270	Sideshift Cylinder ●
22	2	672018	Upper Bearing
23	2	6102333	Lower Bearing
24	2	212709	Spacer Block
25	8	767615	Capscrew, M10 x 25
26	2	209843	Rod End
27	4	684649	Capscrew, M10 x 25
28	2	6009225	T-Bar – Lower
29	2	223937	Bearing Retainer
30	2	223938	Bearing Retainer
31	2	787398	Washer, M8
32	28	214991	Capscrew, M16 x 45
33	1	225441	Bracket – RH
34	7	214053	O-Ring
35	4	10603-1188	Bearing Segment
36	1	225440	Bracket – LH
37	1	6007050	Valve Guard
38	2	604511	Fitting, 6-6 ◆
39	2	601676	Fitting, 6-6 ◆
40	4	209850	Retainer Half Ring
41	2	787372	Capscrew, M8 x 20
42	2	215226	Hanger

- ★ See Frame Cylinder page for parts breakdown.
- ▲ See Valve Assembly page for parts breakdown.
- See Sideshift Cylinder page for parts breakdown.
- ◆ Included in Fitting Group 213099.
- ▼ Includes Inner Fork Control Group 6102292.

Cylinder



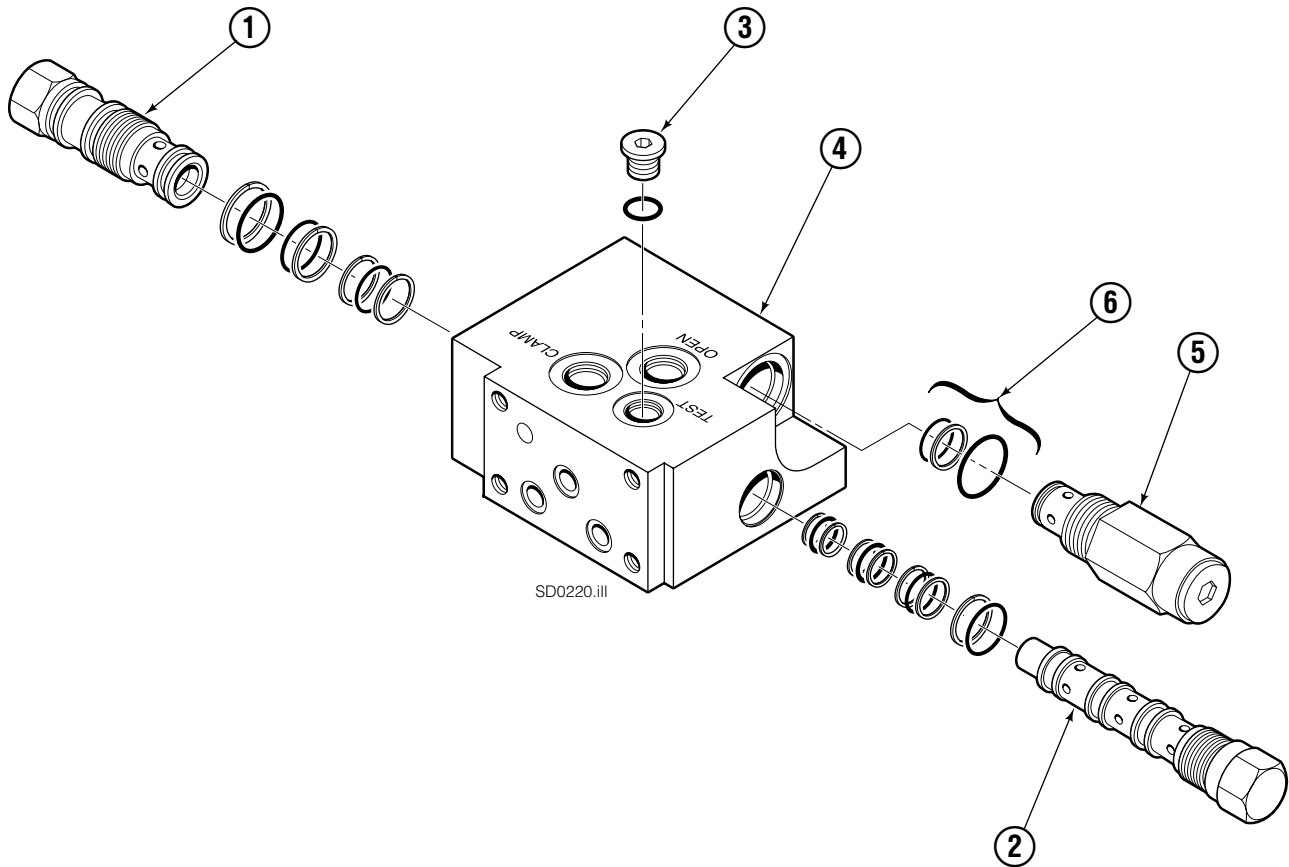
CL0625.iii

80E							
REF	QTY	PART NO.	DESCRIPTION	REF	QTY	PART NO.	DESCRIPTION
		6009997	Cylinder Assembly	8	3	210088	O-Ring ▲
1	1	6009178	Cylinder/Shell	9	2	564601	Back-Up Ring ▲
2	1	4126-0894	Rod	10	1	212478	Seal ▲
3	1	209744	Cap	11	1	564349	Seal ▲
4	8	768208	Capscrew, M8 x 25	12	2	564448	O-Ring ▲
5	1	209748	Bearing ▲	13	1	564408	Wiper ▲
6	1	787375	Capscrew, M8 x 20	14	1	4273-0041	Spacer
7	1	212449	Retainer			209771	Service Kit

▲ Included in Service Kit 209771.

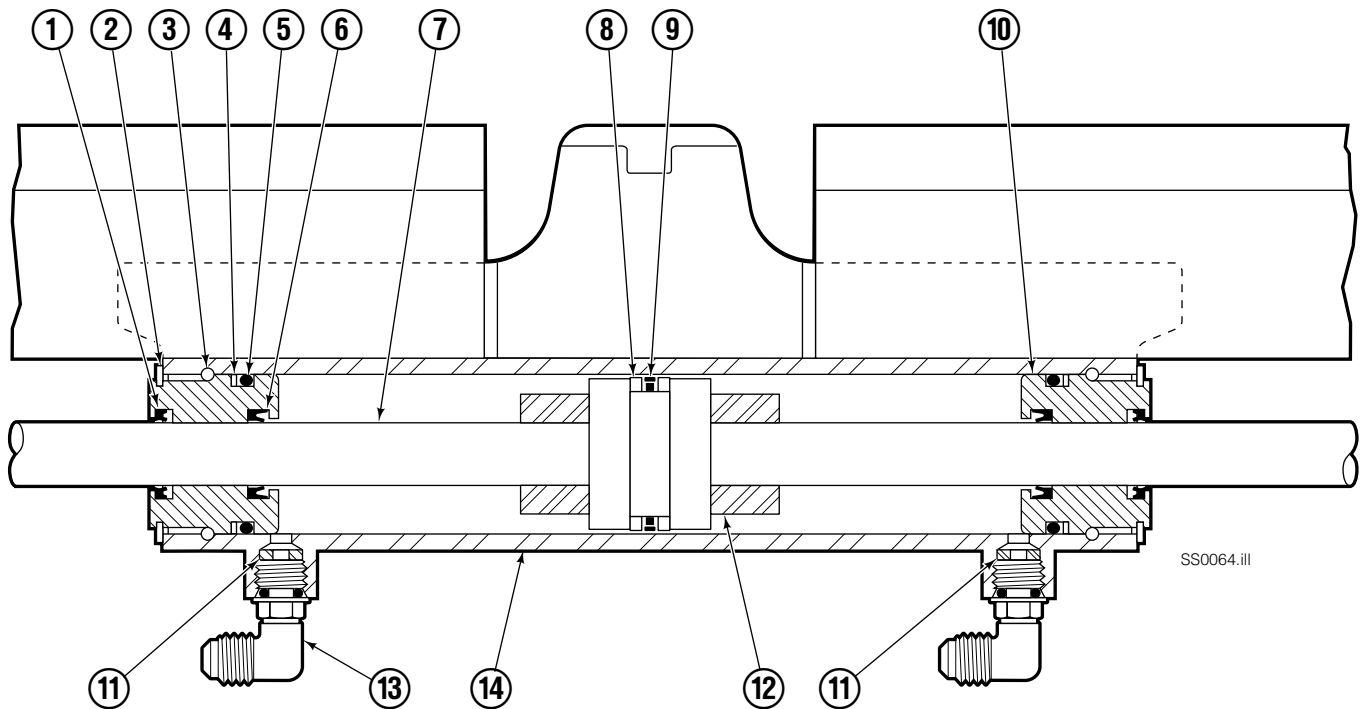
Reference: S-4117, S-4118.

Valve ITA Class II & III

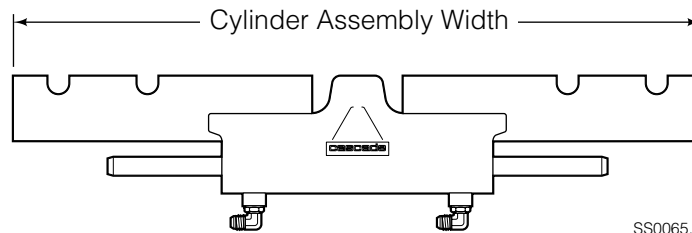


80E			
REF	QTY	PART NO.	DESCRIPTION
		216838	Valve Assembly
1	1	219039	Check Valve
2	1	219040	Flow Divider/Combiner
3	1	609234	Plug
4	1	216839	Valve Body
5	1	213535	Crossover Relief Valve
6	1	682170	Service Kit
7	1	219040	Flow Divider/Combiner

Cylinder



SS0064.ill



SS0065.ill

80E

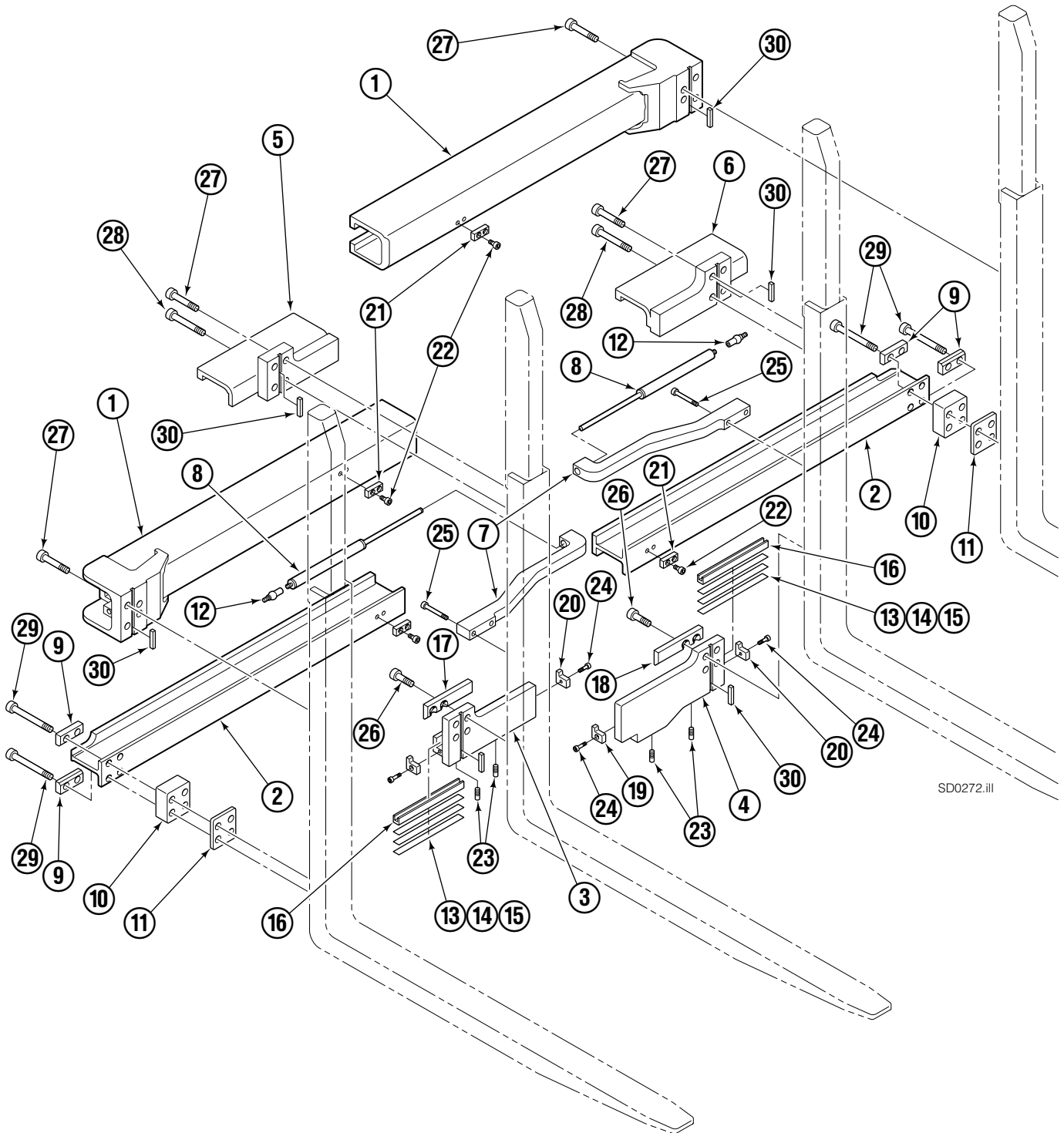
REF	QTY	PART NO.	DESCRIPTION	REF	QTY	PART NO.	DESCRIPTION
		6102270	Cylinder Assembly, 44.2 in. (1123 mm)	8	2	564404	● Bearing Ring
1	2	564408	● Wiper Seal	9	1	564407	● Piston Seal
2	2	3154	Snap Ring	10	2	564402	Retainer
3	2	564403	Retaining Ring	11	1	205369	Speed Control Washer
4	2	615131	● Back-Up Ring	12	2	—	Spacer
5	2	2789	● O-Ring	13	2	601676	Fitting, JIC 6-6
6	2	564406	● Rod Seal	14	—	■	Cylinder Shell
7	1	564401	Rod			564409	Service Kit

● Included in Service Kit 564409.

Reference: S-4060.

■ Not serviceable, order new cylinder assembly.

Arm Group



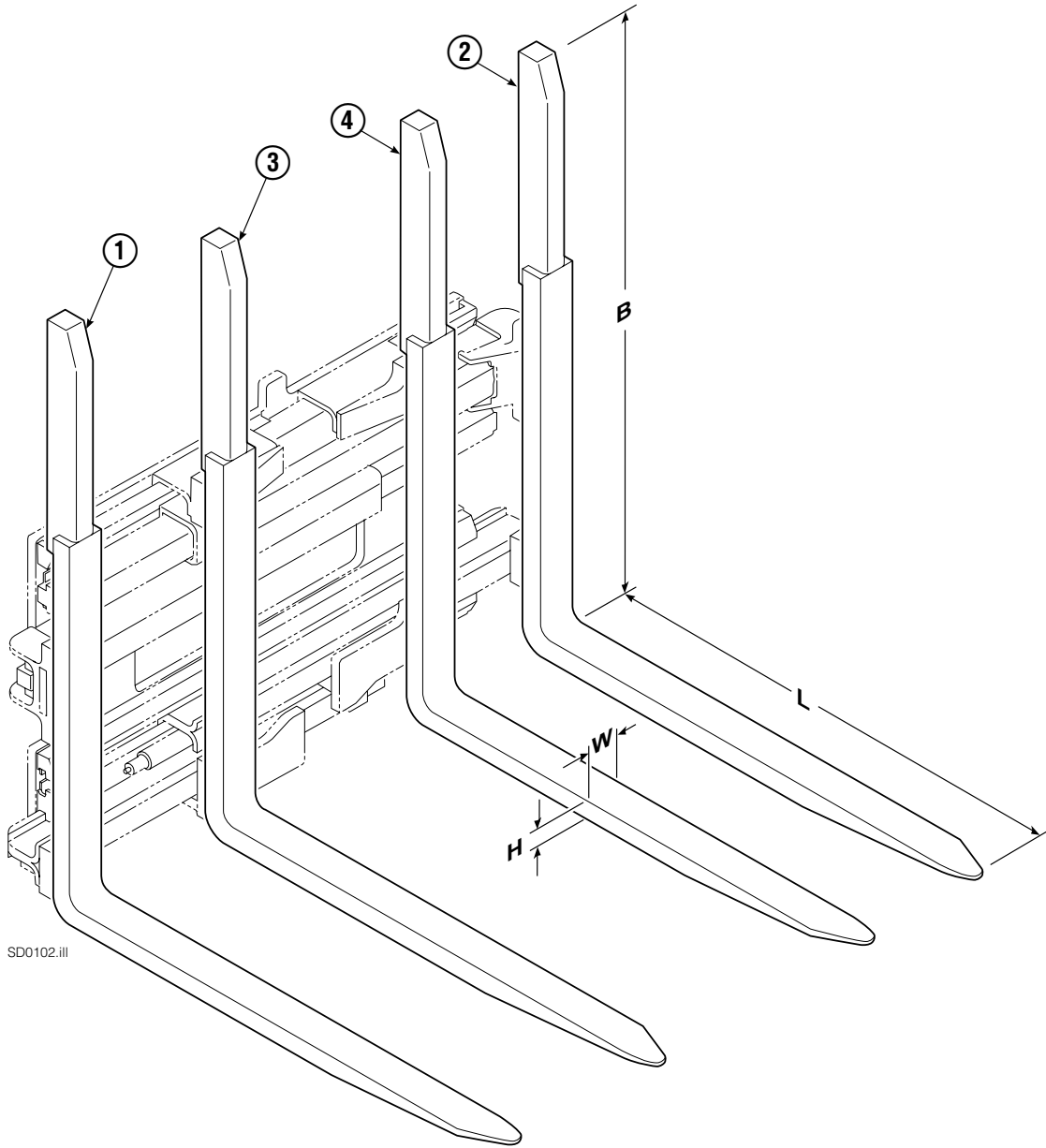
SD0272.iii

Arm Group

80E			
REF	QTY	PART NO.	DESCRIPTION
		6102326	Arm Group
1	2	6102325	Arm Bar – Upper
2	2	6009296	Arm Bar – Lower
3	1	6009304	Lower Hook – RH
4	1	6009929	Lower Hook – LH
5	1	6009286	Upper Hook – RH
6	1	6009936	Upper Hook – LH
7	2	6101656	Bracket
8	2	224175	Gas Cylinder
9	4	226948	Reinforcing Plate
10	2	226949	Spacer
11	–	—	Spacer
12	2	224189	Ball Joint
13	2	228395	Shim, 2 mm.
14	4	212559	Shim, 1 mm.
15	4	213913	Shim, .05 mm.
16	2	4501-0222	Bearing Segment
17	1	212682	Bearing – RH
18	1	213899	Bearing – LH
19	2	212979	Bearing Retainer
20	2	213360	Bearing Retainer
21	4	212687	Fork Stop
22	8	214414	Capscrew, M10 x 12
23	4	781422	Setscrew, M12 x 12
24	4	787375	Capscrew, M8 x 20
25	4	768813	Capscrew, M10 x 55
26	8	769574	Capscrew, M16 x 35
27	12	769577	Capscrew, M16 x 50
28	4	769578	Capscrew, M16 x 60
29	8	228400	Capscrew, M16 x 80
30	6	213364	Key

Reference: Common Parts Group 228397.

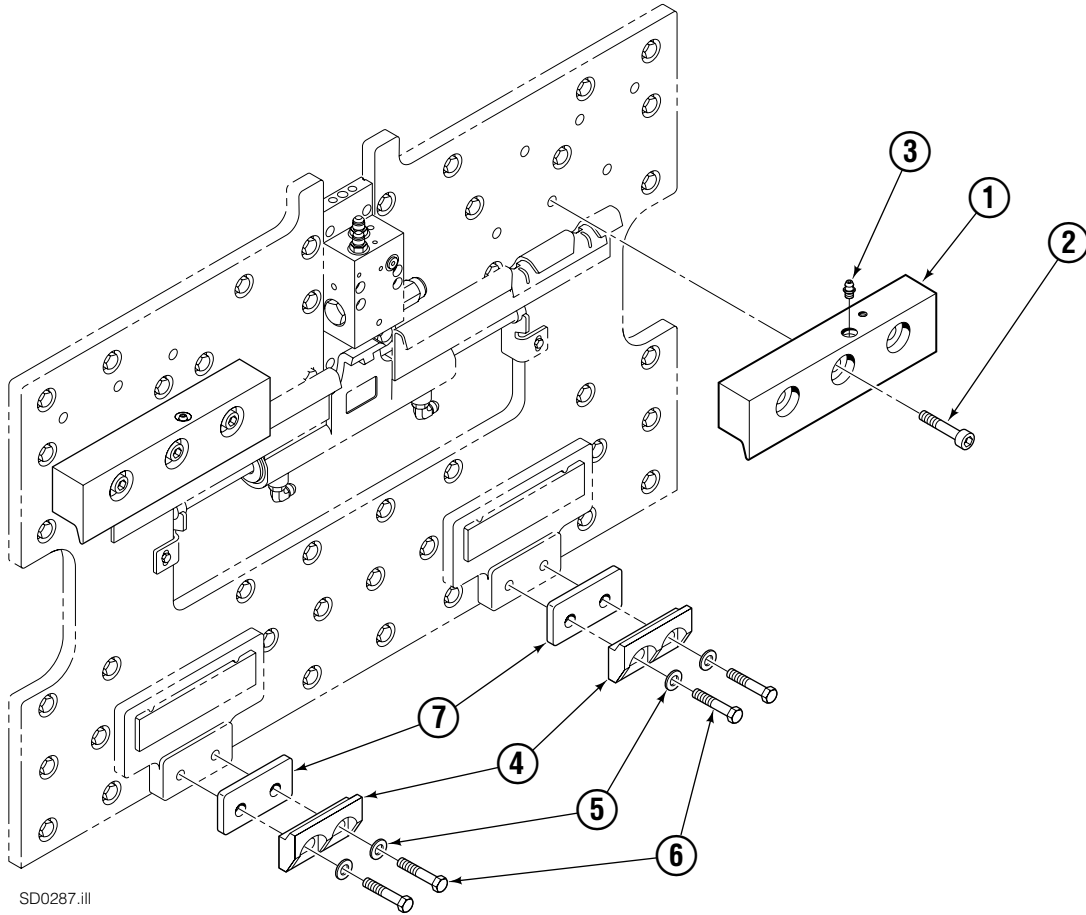
Tube Backrest/Fork Group



SD0102.iii

80E								
SIZE (in.)				FORK GROUP PART NO.	REF ①	REF ②	REF ③	REF ④
B	W	H	L		Outer Fork-RH	Outer Fork-LH	Inner Fork-RH	Inner Fork-LH
42	3.2	2.4	48	6100688	6101435	6101434	6101437	6101436

Mounting Group ITA Class III



SD0287.iii

80E			
REF	QTY	ITA III	DESCRIPTION
		PART NO.	
		6102336	Upper Hook Group ▲
		6102337	Lower Hook Group ★
1	2	218206	Upper Hook
2	6	220295	Capscrew, M16 x 75
3	2	7403	Grease Fitting
4	2	675969	Lower Hook
5	4	667225	Washer
6	4	683929	Capscrew, M16 x 70
7	2	6102335	Spacer

▲ Includes items 1 and 2.

★ Includes items 4-7.

Do you have questions you need answered right now? Call your nearest Cascade Parts Department.

Cascade Corporation
2501 Sheridan Avenue
Springfield, OH 45505
Tel: 888-CASCADE (227-2233)
FAX: 888-329-0234
www.cascorp.com

Cascade Canada Inc.
5570 Timberlea Blvd.
Mississauga, Ontario
Canada L4W-4M6
Tel: 905-629-7777
FAX: 905-629-7785

Cascade GmbH
D-41199 Monchengladbach
Klosterhofweg 52
Germany
Tel: 21-66-602091
FAX: 21-66-680947

Cascade Finland
01370 Vantas
Finland
Tel: 358-0-836-1925
FAX: 358-0-836-1935

**Cascade N.V.
European Headquarters**
P.O. Box 3009
1300 El Almere
Damsluisweg 56
1332 ED Almere
The Netherlands
Tel: 31-36-5492911
FAX: 31-36-5492964

**Cascade N.V.
Benelux Sales and Service**
P.O. Box 3009
1300 El Almere
Damsluisweg 56
1332 ED Almere
The Netherlands
Tel: 31-36-5492950
FAX: 31-36-5492974

Cascade (UK) Ltd.
15, Orgreave Crescent
Dore House Industrial Estate
Handsworth
Sheffield S13 9NQ
England
Tel: 742-697524
FAX: 742-695121

**Cascade Scandinavia
Hydraulik A.B.**
Muskötgatan 19, E8-9
S25466 Helsingborg
Sweden
Tel: 42-151135
FAX: 42-152997

Cascade Norway
Østerliveien 37A
1153 Oslo
Norway
Tel: 47-22-743160
FAX: 47-22-743157

Cascade France S.A.R.L.
11, Rue Jean Charcot
Zone Industrielle Sud or
B.P. 22
91421 Morangis Cedex
France
Tel: 1- 64547501
FAX: 1-9790584

Cascade Hispania S.A.
Avenida De La Fabregada, 7
Hospitalet De Llobregat
Barcelona
Spain
Tel: 3-335-5158
FAX: 3-335-4756

Cascade Japan Ltd.
5-5-41,
Torikai Kami
Settsu, Osaka
Japan, 566
Tel: 81-726-53-3490
FAX: 81-726-53-3497

Cascade Korea
Room 508, Pum Yang Bldg.
750-14, Bang Bac-Dong
Se-Cho Ku, Seoul
Korea
Tel: 2599-7131 ext. 512
FAX: 2533-8089

HYCO-Cascade Pty. Ltd.
1445 Ipswich Road
Rocklea,
Queensland 4107
Australia
Tel: 3-274-2722
FAX: 3-274-3456

HYCO-Cascade (NZ) Ltd.
15 Ra Ora Drive, East Tamaki
P.O. Box 38-440
Howick, Auckland
New Zealand
Tel: 9-273-9136
FAX: 9-273-9137

Cascade (Africa) Pty. Ltd.
P.O. Box 625, Isando 1600
60A Steel Road
Sparton, Kempton Park
South Africa
Tel: 975-9240
FAX: 394-1147

Cascade-Xiamen
Wanshan No. 1 Workshop
Huli Road
Xiamen 361006
Fujian, PRC
Tel: 592-562-4600
FAX: 592-562-4671

**Cascade (Singapore)
Trading Co.**
Four Seasons Park
Autumn Block - Apt. 1802
12 Cascaden Walk
Singapore
Tel: 65-834-1935
FAX: 65-834-1936

