

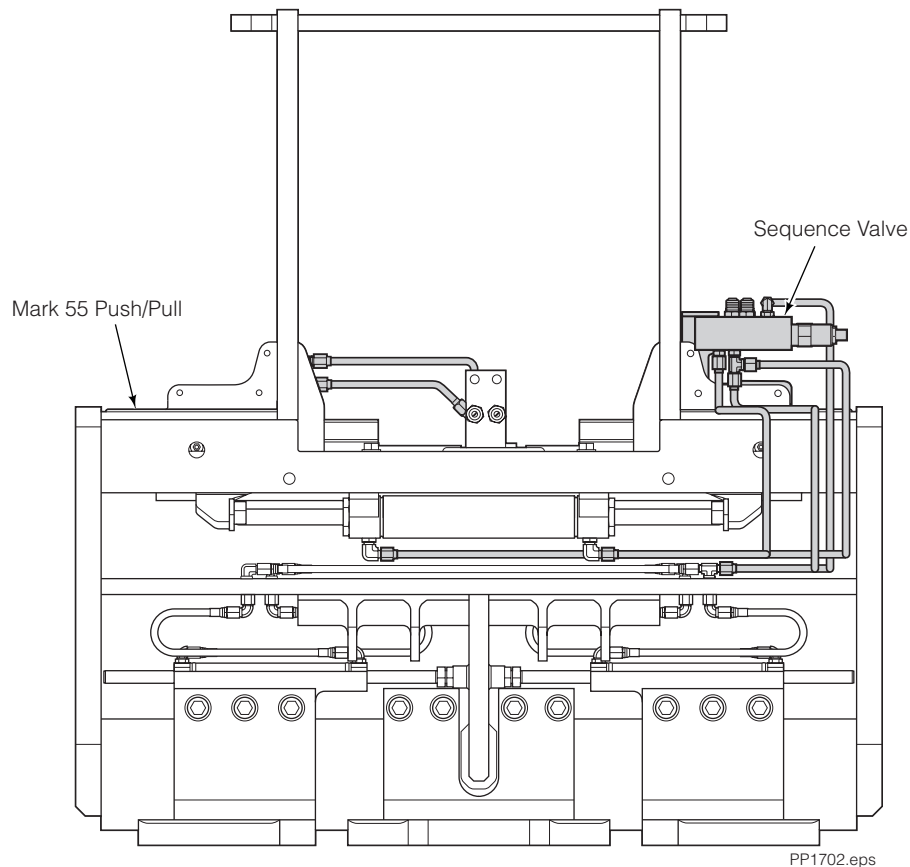


Installation Instructions

Mark 55 Push/Pull Sequence Valve Conversion Kit 6090675

This sheet provides installation instruction for Sequence Valve Conversion Kit 6090675. The kit provides three function operation using two single function hydraulic supplies and one attachment mounted sequence valve. The sideshift and platen position functions are on the same truck auxiliary valve. The push/pull function is on a separate auxiliary valve.

NOTE: The platens move when the unit is sideshifted completely to one side or the other. For example, sideshifting completely right and continuing to hold the handle back, the platens will move together.



NOTE: This information should not be interpreted as the basis for warranty claims unless so designated.

cascade[®]
corporation

For Technical Support . . .

Call: 1-800-227-2233 Fax: 1-888-329-8207

Internet: www.cascorp.com

Write: Cascade Corporation, PO Box 20187, Portland, OR 97294

To Order Parts . . .

Call: 1-888-227-2233 Fax: 1-888-329-0234

Internet: www.cascorp.com

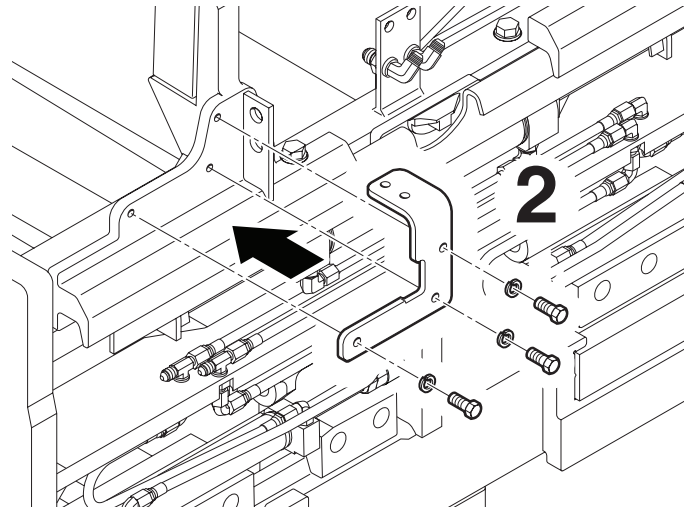
Write: Cascade Corporation, 2501 Sheridan Ave., Springfield, OH 45505

Installation



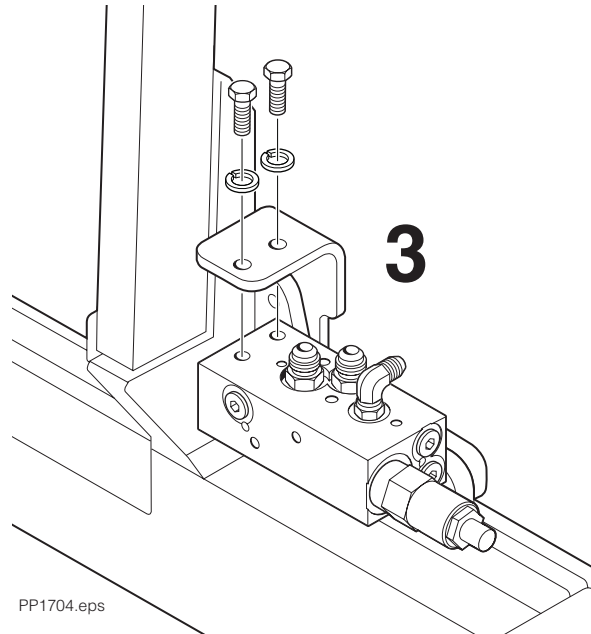
WARNING: Before removing hydraulic lines or components, relieve pressure in the hydraulic system. Turn truck off and open the truck auxiliary control valve(s) several times in both directions.

- 1 Remove any existing solenoid components.
- 2 Mount bracket to attachment and tighten capscrews.



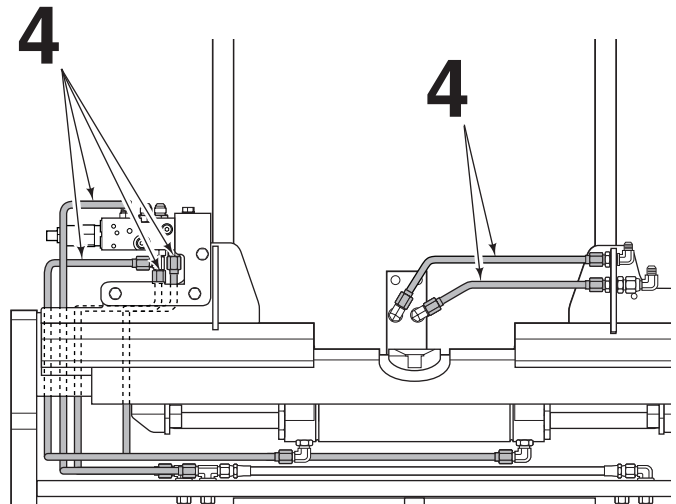
PP1703.eps

- 3 Mount valve to bracket and tighten capscrews.



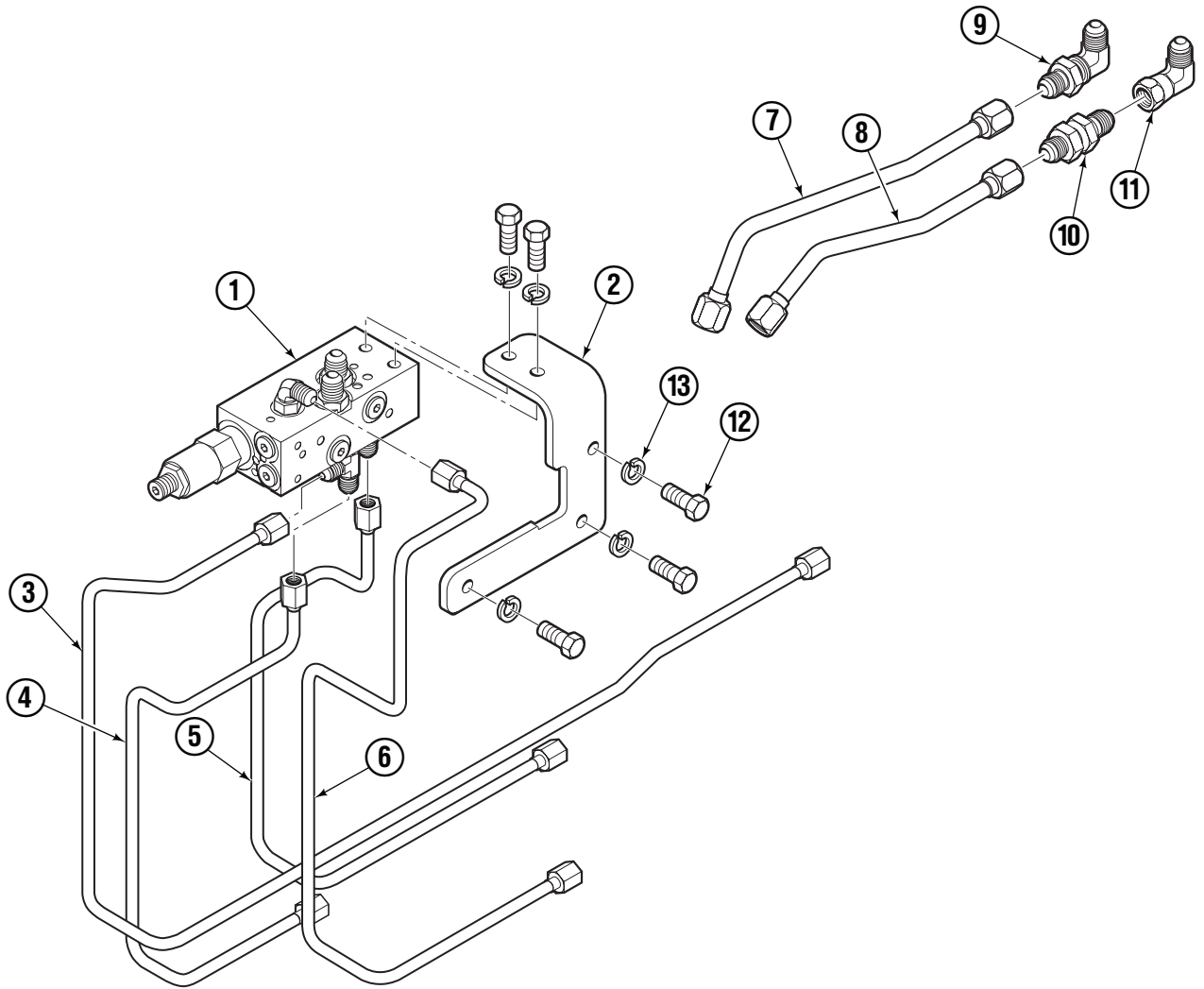
PP1704.eps

- 4 Install tubes and supply hoses.



PP1705.eps

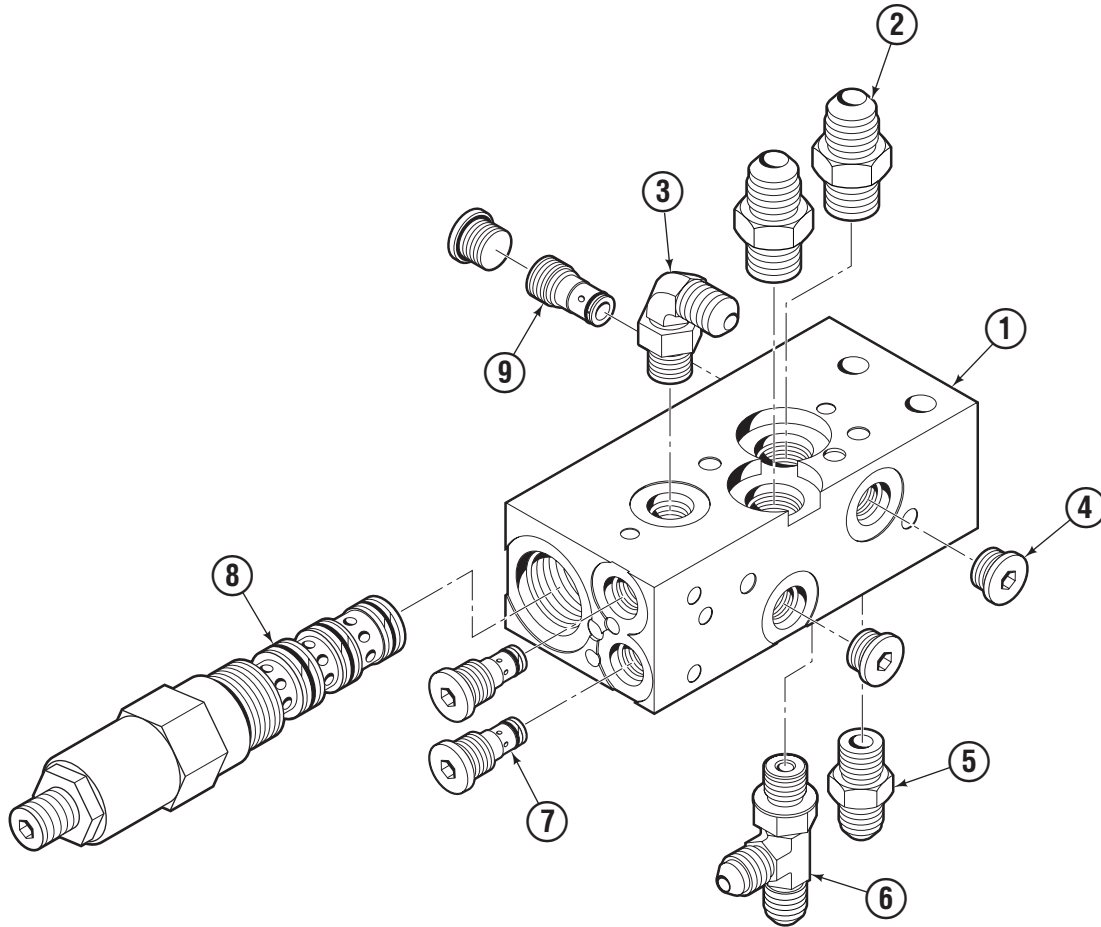
Sequence Valve Kit



PP1707.eps

| REF | QTY | PART NO. | DESCRIPTION |
|-----|-----|----------|--------------------|
| | | 6090675 | Sequence Valve Kit |
| 1 | 1 | 6092168 | Sequence Valve |
| 2 | 1 | 6090606 | Bracket |
| 3 | 1 | 6090616 | Tube Assembly |
| 4 | 1 | 6090615 | Tube Assembly |
| 5 | 1 | 6090613 | Tube Assembly |
| 6 | 1 | 6090614 | Tube Assembly |
| 7 | 1 | 6090659 | Tube Assembly |
| 8 | 1 | 6090660 | Tube Assembly |
| 9 | 1 | 2453 | Fitting, 6-6 |
| 10 | 1 | 2375 | Fitting, 6-6 |
| 11 | 1 | 2680 | Fitting, 6-6 |
| 12 | 5 | 765329 | Capscrew, M8 x 20 |
| 13 | 5 | 6287 | Lockwasher, M8 |

Sequence Valve



PP1708.eps

| REF | QTY | PART NO. | DESCRIPTION |
|-----|-----|----------|--------------------------|
| | | 6090537 | Sequence Valve |
| 1 | 1 | 6090538 | Valve Body |
| 2 | 2 | 604511 | Fitting, 6-6 |
| 3 | 1 | 617917 | Fitting, 4-4 |
| 4 | 3 | 609234 | Plug |
| 5 | 1 | 617915 | Fitting, 4-4 |
| 6 | 1 | 617919 | Fitting, 4-4 |
| 7 | 2 | 220869 | Check Valve Cartridge |
| 8 | 1 | 6092633 | Sequence Valve Cartridge |
| 9 | 1 | 220865 | Shuttle |