



# Parts Manual

---

Model \_\_\_\_\_ **Fork Clamp**

Serial Number \_\_\_\_\_ **80D-CFS-14BR0**

---

**cascade<sup>®</sup>**  
**corporation**

**For Technical Assistance call:** 800-227-2233, Fax: 888-329-8207

**To Order Parts call:** 888-227-2233, Fax: 888-329-0234

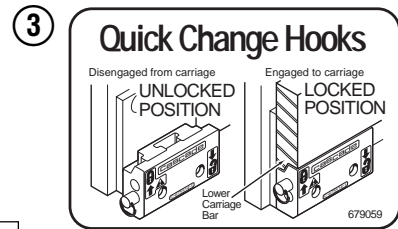
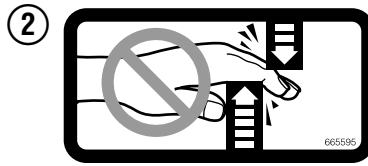
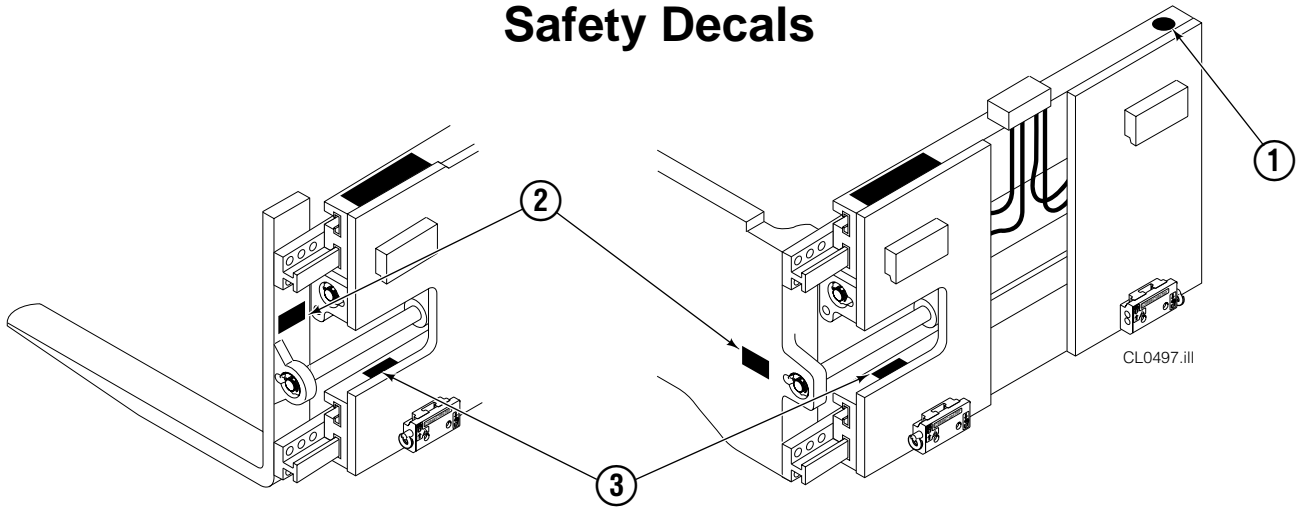
**OR**

**Write:** Cascade Corporation, P.O. Box 20187, Portland, OR 97220

**Internet:** [www.cascorp.com](http://www.cascorp.com)

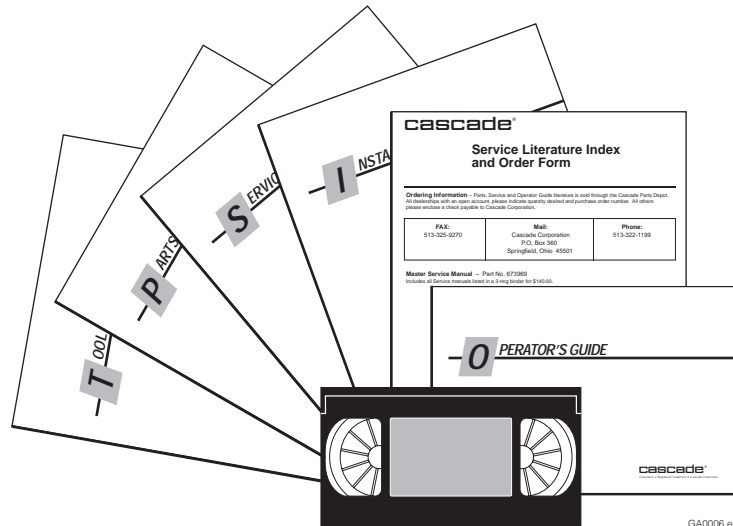


# Safety Decals



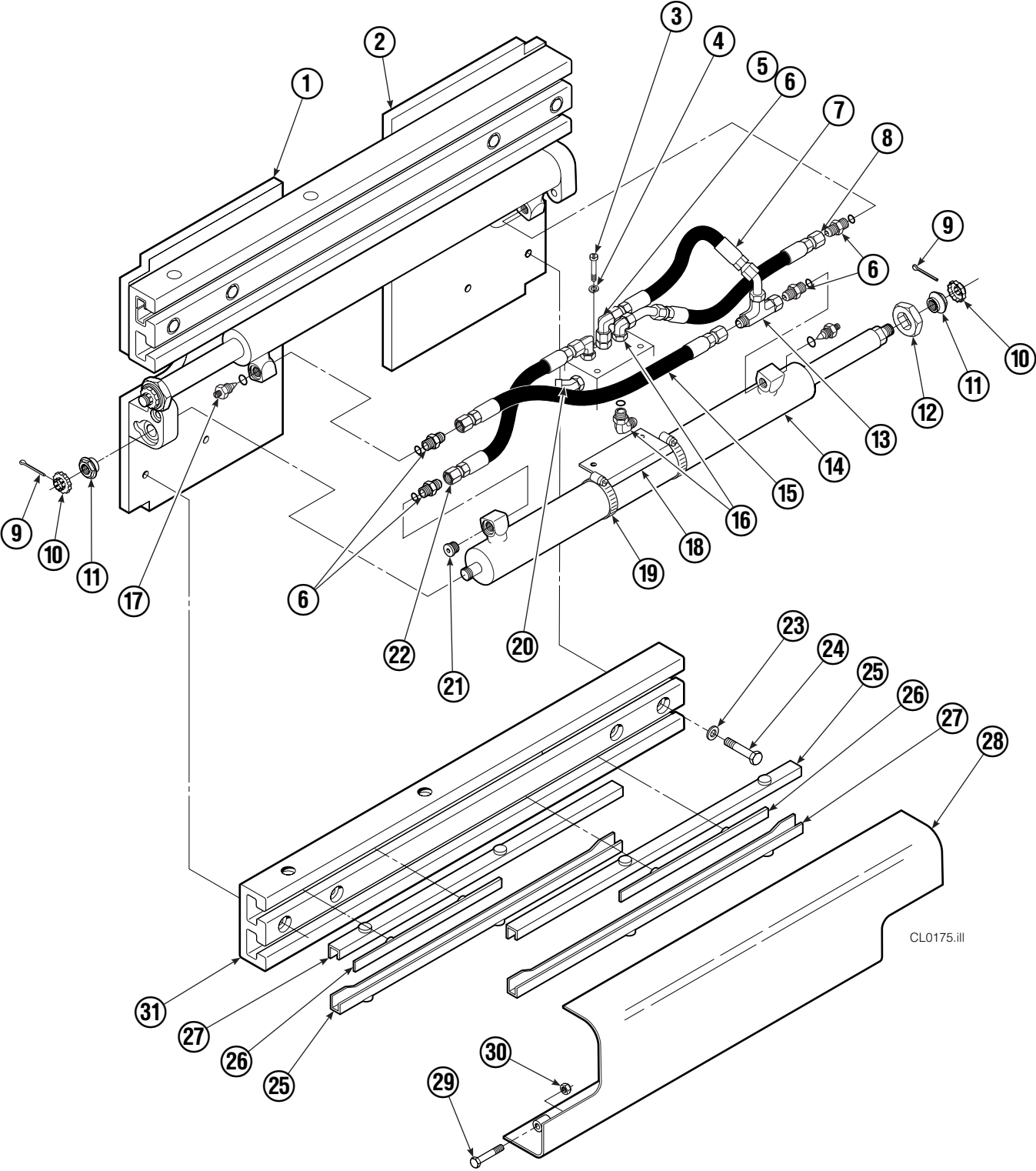
REF	QTY	PART NO.	DESCRIPTION
1	1	679150	No Step Decal
2	2	665595	No Hand Hold Decal
3	1	679059	Quick Change Hook Decal

# Publications



PART NO.	DESCRIPTION
669224	Service Manual
672944	Operators Guide
668987	Installation Instructions
680664	Servicing Cascade Cylinders-VHS
679929	Tool Catalog
673964	Literature Index Order Form

# Base Unit Group



CL0175.iii

# Base Unit Group

80D			
REF	QTY	PART NO.	DESCRIPTION
		682460	Base Unit Group
1	1	682456	Mounting Plate – RH
2	1	682452	Mounting Plate – LH
3	2	768529	Capscrew
4	2	6287	Lockwasher, 5/16 in.
5	1	605761	Fitting, 8-8
6	5	601377	Fitting, 8-8
7	1	681761	Hose
8	1	676111	Hose
9	4	6513	Cotter Pin
10	4	676110	Retainer
11	4	676109	Nut
12	2	676108	Washer
13	1	611330	Fitting
14	2	676429	Cylinder ▲
15	1	676113	Hose
16	3	601250	Fitting, 8-8
17	2	667609	Restrictor Cartridge ●
18	1	676115	Bracket
19	2	644588	Clamp
20	1	611303	Fitting, 8-8
21	2	602580	Fitting, 8
22	1	676114	Hose
23	8	670692	Washer, 13/16 ID
24	8	676793	Capscrew
25	4	676104	Bearing
26	4	667663	Bearing
27	4	676105	Bearing
28	1	676106	Bumper
29	2	768560	Capscrew
30	2	773842	Nut, M12
31	2	676103	Frame
	■	678036	Cylinder Nut Service Kit

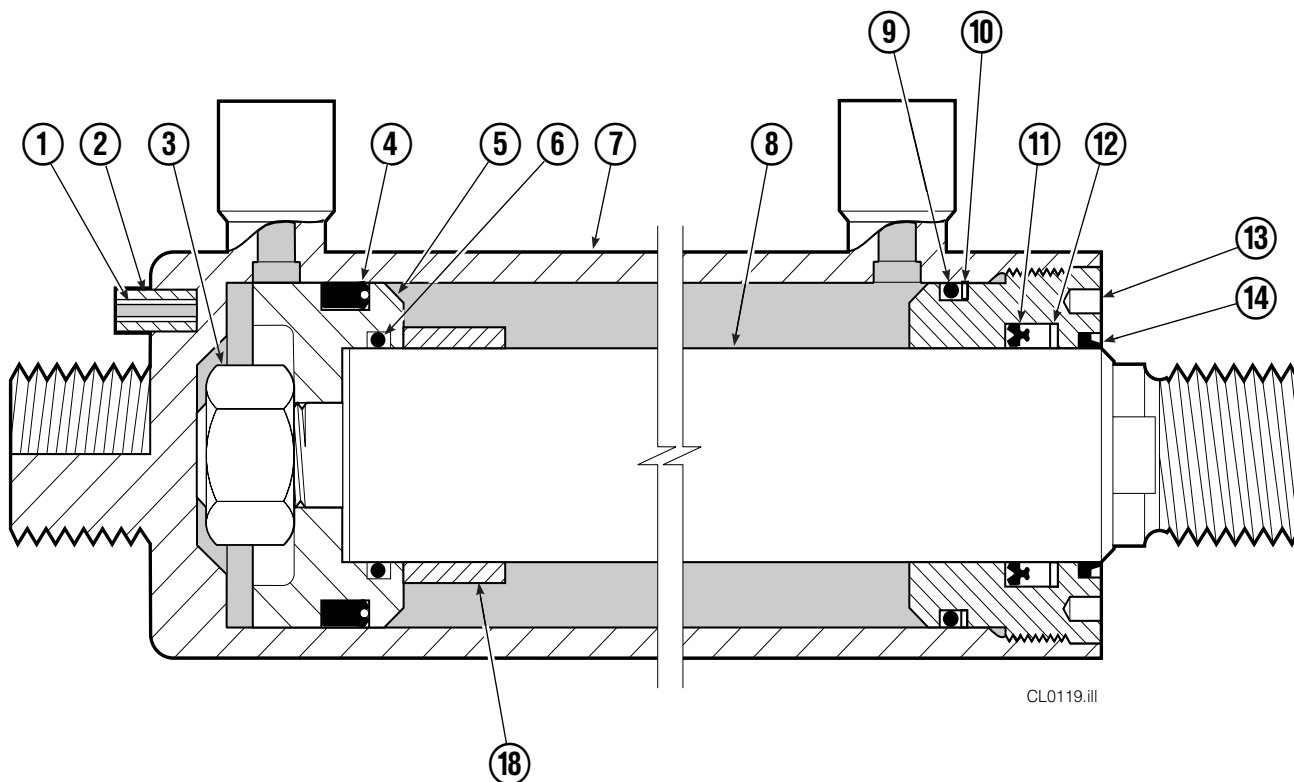
▲ See Cylinder page for parts breakdown.

■ Includes one each of items 9, 10 and 11.

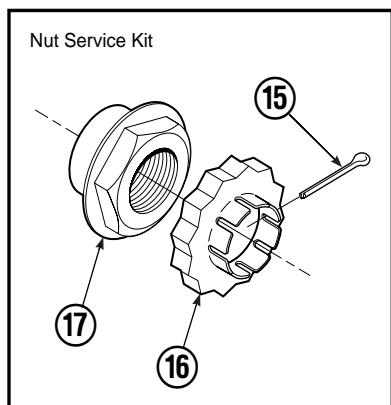
● See Restrictor Cartridge page for parts breakdown.

Reference: Common Parts 676794, SK-5368.

# Cylinder



CL0119.ill



80D			
REF	QTY	PART NO.	DESCRIPTION
		676429	Cylinder Assembly
1	1	7882	Roll Pin
2	1	7964	Roll Pin
3	1	560997	Nut
4	1	557574	● Seal
5	1	558405	Piston
6	1	2787	● O-Ring
7	1	556463	Shell
8	1	556464	Rod
9	1	2795	● O-Ring
10	1	615138	● Back-Up Ring
11	1	553520	● Seal
12	1	636701	● Back-Up Ring
13	1	556563	Retainer
14	1	624572	● Wiper
15	1	6513	▲ Cotter Pin
16	1	676110	▲ Retainer
17	1	676109	▲ Nut
18	1	-	Spacer
		556486	Service Kit
		678036	Nut Service Kit ★

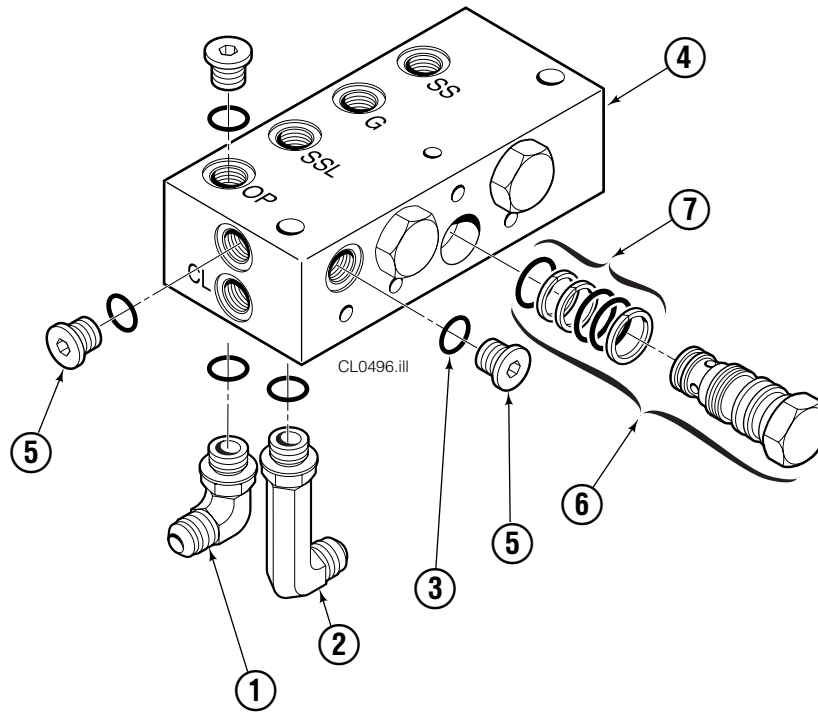
● Included in Service Kit 556486.

▲ Included in Service Kit 678036.

★ Not included in Cylinder Assembly.

Reference: S-5259, S-5260.

# Valve Group Sideshift

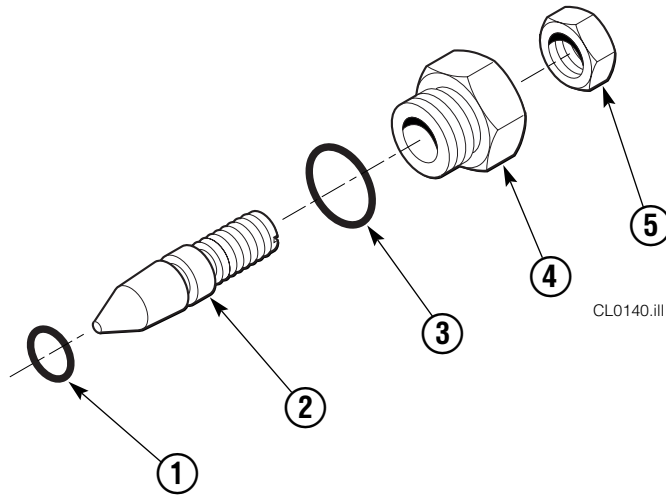


REF	QTY	PART NO.	DESCRIPTION
		676768	Valve Group
	●	676779	Valve Assembly
1	1	601250	Fitting, 8-8
2	1	660385	Fitting, 8-8
3	4	2841	O-Ring ▲
4	1	676781	Valve Body
5	4	602580	Plug, 8
6	3	661816	Check Valve – PO
7	3	656223	Service Kit - Check Valve ▲
		676169	Service - Valve

● Includes items 3 – 7.

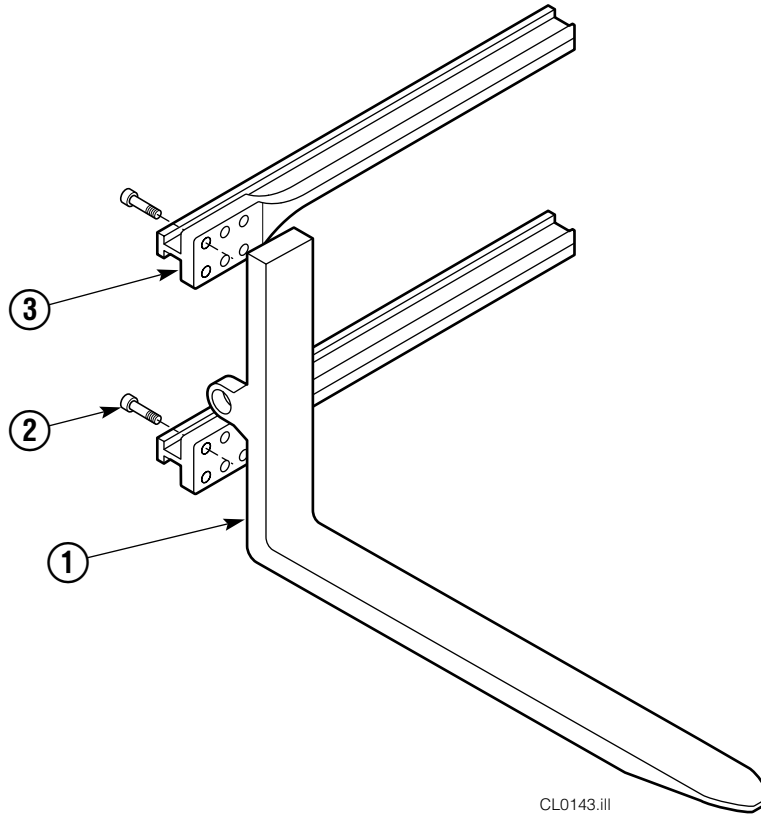
▲ Included in Service Kit 676169.

# Restrictor Cartridge



REF	QTY	PART NO.	DESCRIPTION
		667609	Restrictor Cartridge
1	1	2701	O-Ring
2	1	667611	Plunger
3	1	2841	O-Ring
4	1	667610	Plug - Special
5	1	5716	Jam Nut

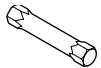
# Bolt-On Pallet Forks



CL0143.iii

## ARM CAPSCREW EXTENSION TOOL

Required for proper torquing of capscrews



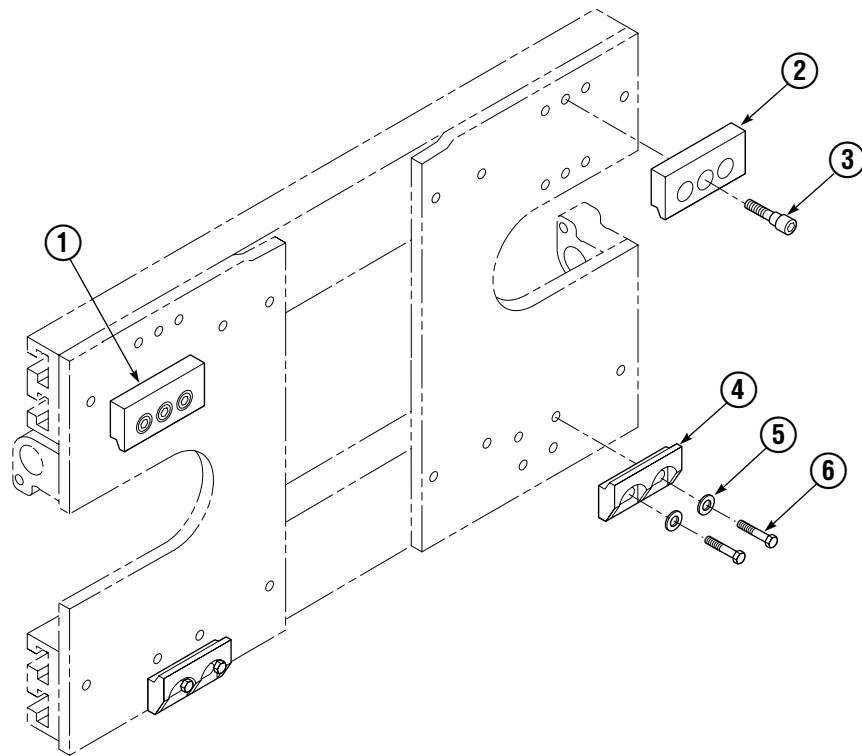
80D

676218

80D			
REF	QTY	PART NO.	DESCRIPTION
		676952	Fork Group ▲
1	1	676944	Pallet Fork – LH
1	1	676948	Pallet Fork – RH
2	24	676840	Capscrew
3	4	676132	Arm Bar

▲ Includes items 1 & 2 only.

# Bolt-On Mounting Group



CL0159.iii

## Class III

REF	QTY	PART NO.	DESCRIPTION
		676124	Mounting Group
1	1	676125	Upper Hook - LH
2	1	676126	Upper Hook - RH
3	6	676801	Capscrew, M20 x 50
4	2	675969	Lower Hook
5	4	667225	Washer, 5/8 in. ID
6	5	779009	Capscrew, M16 x 30



**Do you have questions you need answered right now?** Call your nearest Cascade Parts Department. Visit us online at [www.cascorp.com](http://www.cascorp.com)

**Cascade Corporation**  
2501 Sheridan Avenue  
Springfield, OH 45505  
Tel: 888-CASCADE (227-2233)  
FAX: 888-329-0234

**Cascade Canada Inc.**  
5570 Timberlea Blvd.  
Mississauga, Ontario  
Canada L4W-4M6  
Tel: 905-629-7777  
FAX: 905-629-7785

**Cascade GmbH**  
D-41199 Monchengladbach  
Klosterhofweg 52  
Germany  
Tel: 49-216-668230  
FAX: 49-216-6682323

**Cascade Finland**  
Albert Petreliuksenkatu 3  
01370 Vantaa  
Finland  
Tel: 358-9-836-1925  
FAX: 358-9-836-1935

**Cascade N.V.  
European Headquarters**  
P.O. Box 3009  
1300 El Almere  
Damsluisweg 56  
1332 ED Almere  
The Netherlands  
Tel: 31-36-5492911  
FAX: 31-36-5492964

**Cascade N.V.  
Benelux Sales and Service**  
P.O. Box 3009  
1300 El Almere  
Damsluisweg 56  
1332 ED Almere  
The Netherlands  
Tel: 31-36-5492950  
FAX: 31-36-5492974

**Cascade (UK) Ltd.**  
15, Orgreave Crescent  
Dore House Industrial Estate  
Handsworth  
Sheffield S13 9NQ  
England  
Tel: 742-697524  
FAX: 742-695121

**Cascade Scandinavia AB**  
Box 124  
Hammarvägen 10  
567 23 Vaggeryd  
Sweden  
Tel: 42-0-393-36950  
FAX: 46-0-393-36959

**Cascade Norway**  
Østerliveien 37A  
1153 Oslo  
Norway  
Tel: 47-22-743160  
FAX: 47-22-743157

**Cascade France S.A.R.L.**  
1D Rue De Charaintru  
BP 18, 91360 Epinay-Sur-Orge  
Morangis Cedex, France  
Tel: 33-1- 64547500  
FAX: 33-1-64547501

**Cascade Hispania S.A.**  
Carrer 5 Sector C  
Zona Franca Duanera  
Poligono de la Zon Franca  
08040 Barcelona, Spain  
Office No. 256  
Tel: 93-264-07-30  
FAX: 93-264-07-31

**Cascade Japan Ltd.**  
5-5-41,  
Torikai Kami  
Settsu, Osaka  
Japan, 566  
Tel: 81-726-53-3490  
FAX: 81-726-53-3497

**Cascade Korea**  
108B, Namdong Ind Complex  
658-3 Gojan-Dong  
Namdong-Gu  
Inchon, 405-310 Korea  
Tel: 82-32-821-2051  
FAX: 82-32-821-2055

**Cascade Australia**  
1445 Ipswich Road  
Rocklea, QLD 4106  
Australia  
Tel: 1-800227-223  
FAX: (07) 3373-7333

**Cascade New Zealand**  
15 Ra Ora Drive  
East Tamaki, Auckland  
New Zealand  
Tel: 9-273-9136  
FAX: 9-273-9137

**Cascade (Africa) Pty. Ltd.**  
P.O. Box 625, Isando 1600  
60A Steel Road  
Sparton, Kempton Park  
South Africa  
Tel: 27-11-975-9240  
FAX: 27-11-394-1147

**Cascade-Xiamen**  
No. 668 Yangguang Rd.  
Xinyang Industrial Zone  
Haicang, Xiamen City  
Fujian Province  
P.R. China 361026  
Tel: 86-592-651-2500  
FAX: 86-592-651-2571

**Cascade (Singapore)  
Trading Co.**  
Four Seasons Park  
Autumn Block - Apt. 1802  
12 Cuscaden Walk  
Singapore  
Tel: 65-834-1935  
FAX: 65-834-1936

