



# Parts Manual

---

Model \_\_\_\_\_ **Fork Positioner**

Serial Number \_\_\_\_\_ **100C-FPS-171**

---

**cascade**<sup>®</sup>

**For Technical Assistance call:** 800-227-2233, Fax: 888-329-8207

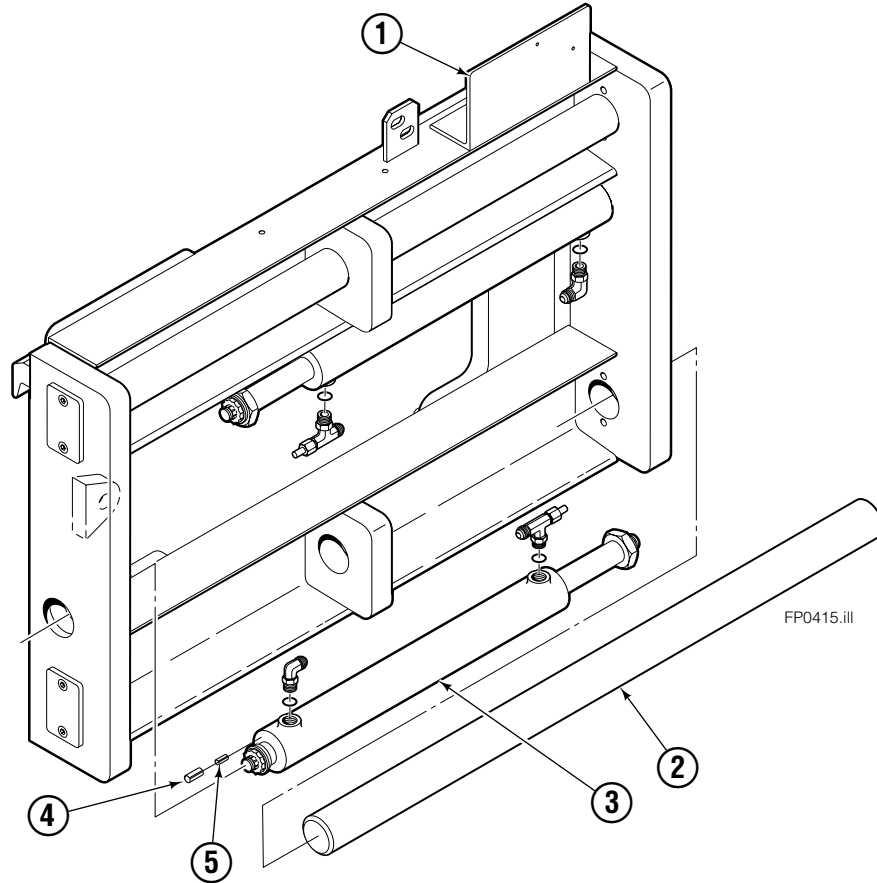
**To Order Parts call:** 888-227-2233, Fax: 888-329-0234

**OR**

**Write:** Cascade Corporation, P.O. Box 20187, Portland, OR 97220

**Internet:** [www.cascorp.com](http://www.cascorp.com)

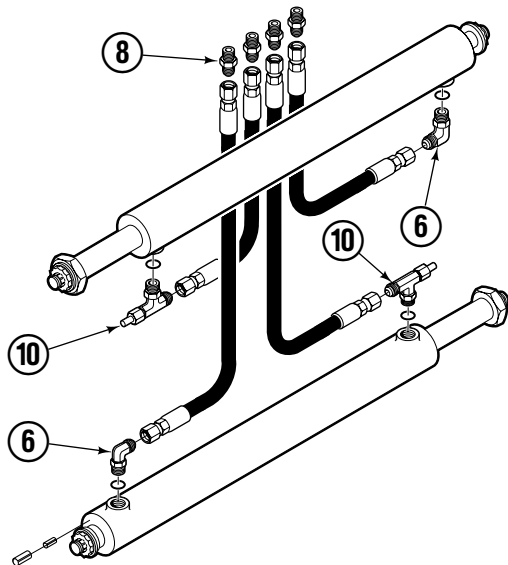
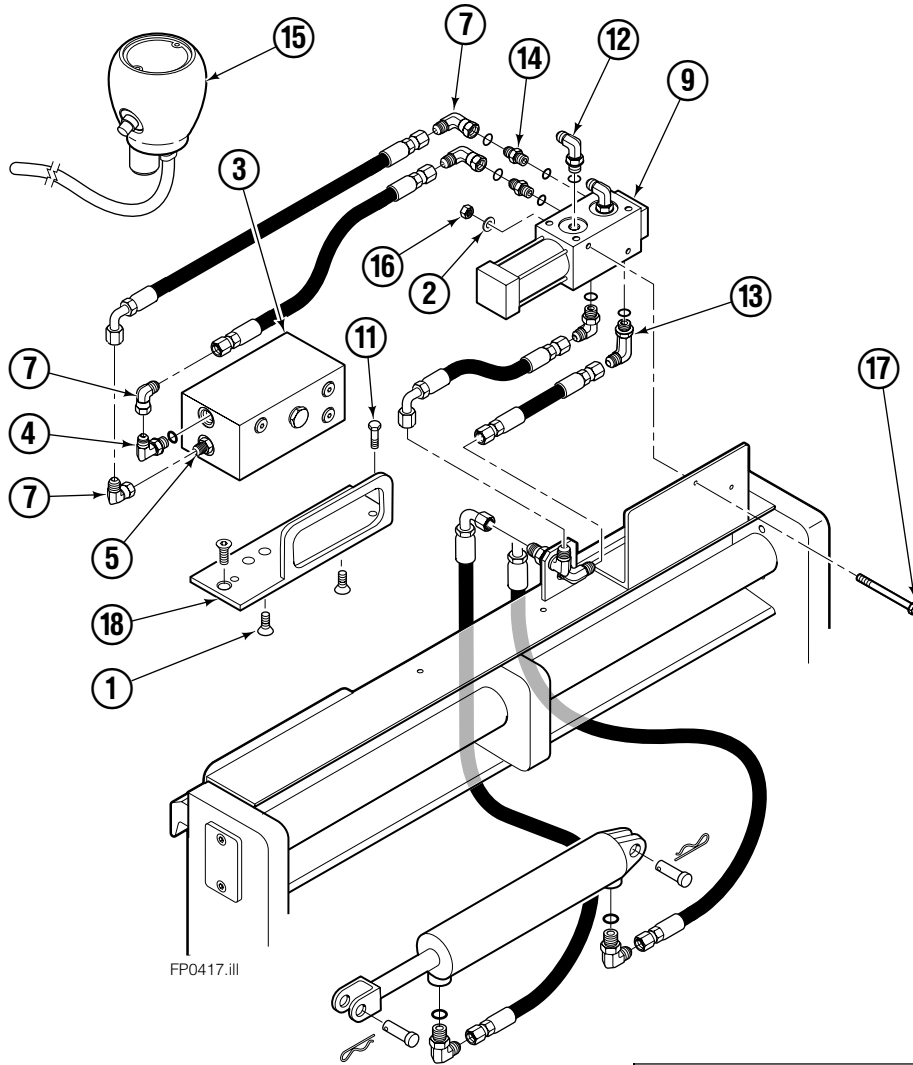
# Frame Group



REF	QTY	PART NO.	DESCRIPTION
		6101103	Frame Group, 42 in.
1	1	6101033	Frame
2	2	829199	Shaft
3	2	383033	Cylinder
4	2	7961	Roll Pin
5	2	7882	Roll Pin

Reference: Hydraulic Group 6101087  
 Hose Group 384612  
 Cylinder 383033  
 Common Parts 399683

# Hydraulic Valve Group



## 100C

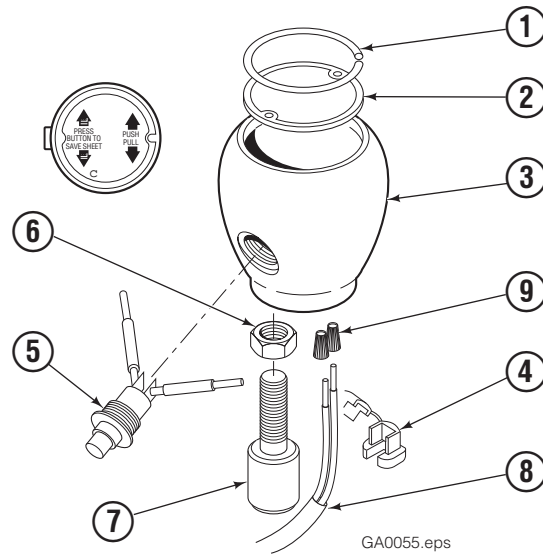
REF	QTY	PART NO	DESCRIPTION
		6101087	Hydraulic Valve Group
1	3	4750	Capscrew
2	2	6257	Lockwasher
3	1	668861	Valve Assembly ●
4	2	601250	Fitting, 8
5	1	601377	Fitting, 8
6	2	601676	Fitting, 6-6
7	3	605761	Fitting, 8-8
8	4	611288	Fitting, 6-8
9	1	614092	Solenoid 36 volt ◆
10	2	617487	Restrictor Tee
11	1	643524	Capscrew
12	3	651303	Fitting, 8-6
13	2	660385	Fitting, 8-8
14	3	662187	Fitting, 8-6
15	1	673130	Knob
16	2	765718	Nut
17	2	768521	Capscrew
18	1	350489	Bracket

● See Valve Assembly Page.

◆ See Solenoid Page. Reference 6101103 Frame Group.

# Control Knob

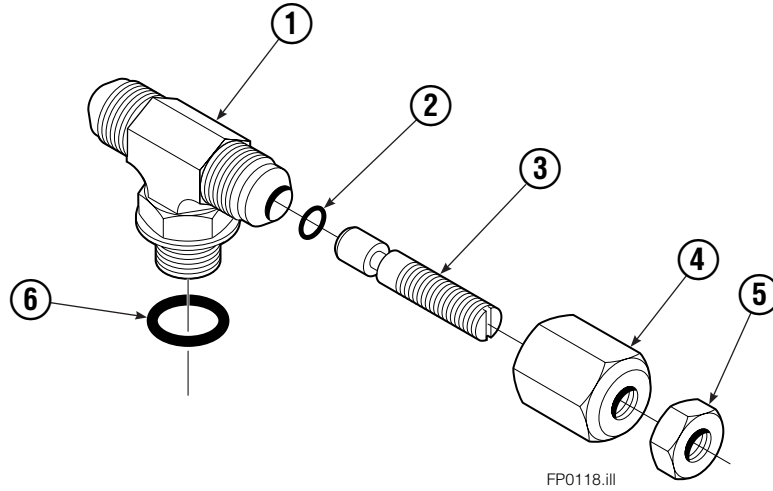
## Two Function – Sideshift Only



100C			
REF	QTY	PART NO.	DESCRIPTION
		673130	Knob Group
1	1	665250	Snap Ring
2	1	673131	Cover
3	1	665012	Knob
4	1	665076	Strain Relief
5	1	677112	■ Switch
6	1	5902	Nut, 3/8 NC
7	1	665081	Adapter
8	1	667718	Cable Assembly
9	2	667752	Connector-Gray

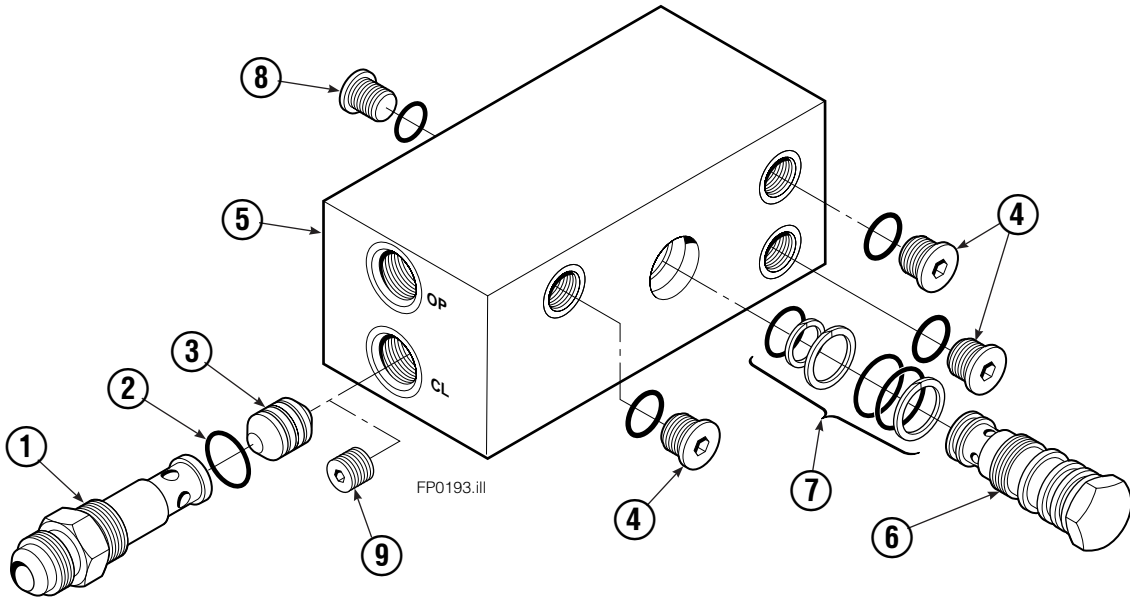
■ This switch may be purchased without wires. Order part number 665004. Soldering is required.

# Restrictor Fitting



REF	QTY	PART NO.	DESCRIPTION
		617487	Restrictor Assembly
1	1	617486	Tee
2	1	2698	O-Ring
3	1	11100	Setscrew
4	1	11099	Cap
5	1	5715	Jam Nut
6	1	2840	O-Ring

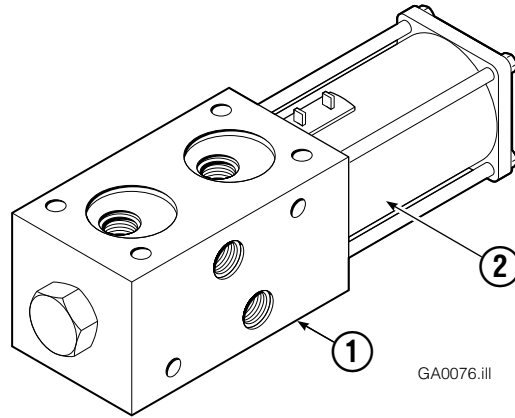
# Valve Assembly



REF	QTY	PART NO.	DESCRIPTION
		668861	Check Valve
1	1	667490	Special Fitting
● 2	2	2841	O-Ring
3	1	667471	Spool
4	3	609455	Fitting
5	1	668862	Valve Body
6	1	678270	Check Valve - V.P.O.
● 7	1	661347	Service Kit
8	1	604510	Fitting, 6
■ 9	1	676343	Regeneration Elimination Plug
		668864	Service Kit

- Included in Service Kit 668864.
- For eliminating regeneration circuit only.  
(See Technical Bulletin Number 121)

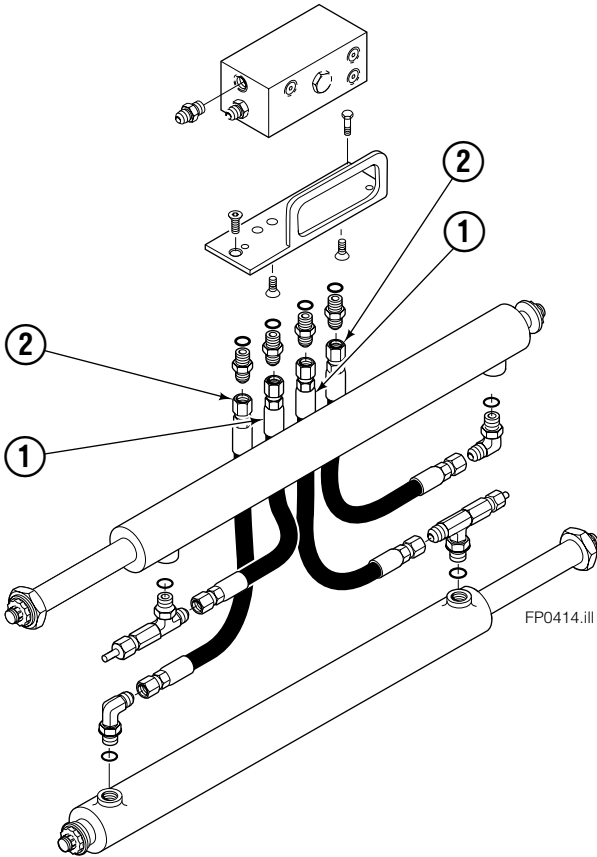
# Solenoid Valves



## Racine

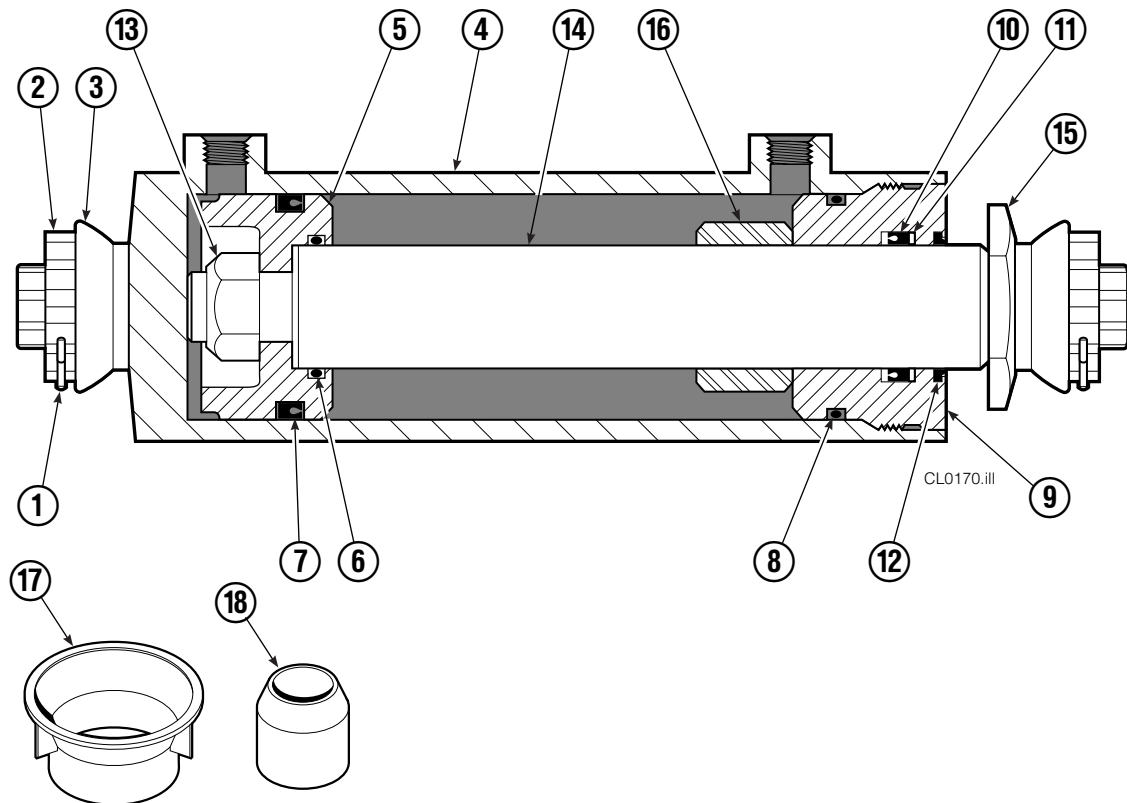
REF	QTY	PART NO.	DESCRIPTION
1	1	614092	Solenoid Valve - 36V
2	1	665046	Coil - 36V
		685012	Service Kit

# Hose Group



REF	QTY	PART NO.	DESCRIPTION
		384612	Hose Group
1	2	675954	Hose, 28 in.
2	2	681231	Hose, 53 in.

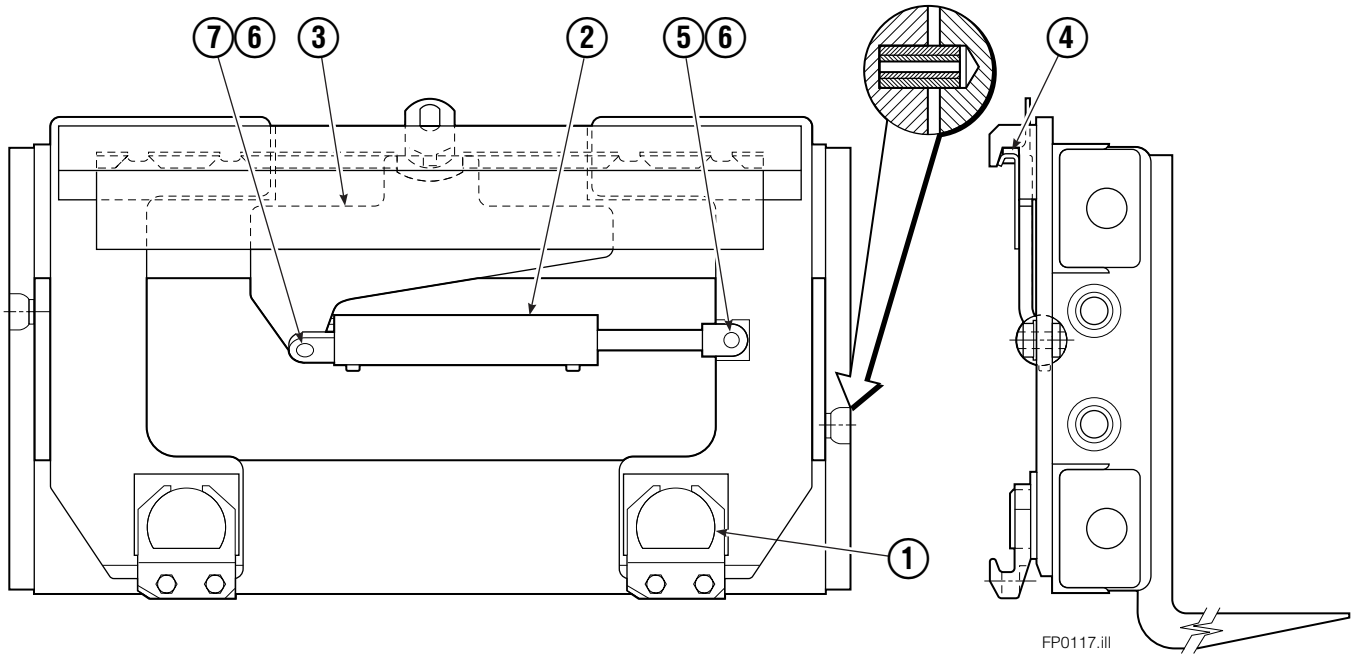
# Cylinder



100C			
REF	QTY	PART NO.	DESCRIPTION
		383033	Cylinder Assembly
1	2	■ 6511	Cotter Pin
2	2	■ 667667	Retainer
3	2	■ 667668	Nut
4	1	564906	Shell
5	1	558402	Piston
6	1	✕ 2722	O-Ring
7	1	✕ 557376	Seal
8	1	✕ 2791	O-Ring
9	1	✕ 615134	Back-Up Ring
10	1	667675	Retainer
11	1	✕ 662451	Seal
12	1	✕ 638246	Nylon Ring
13	1	✕ 628047	Wiper
14	1	561012	Nut
15	1	584475	Rod
16	1	667676	Washer
17	1	829242	Spacer
18	1	✕ 671049	Seal Loader, Piston
19	1	✕ 671052	Seal Loader, Retainer
		667723	Service Kit

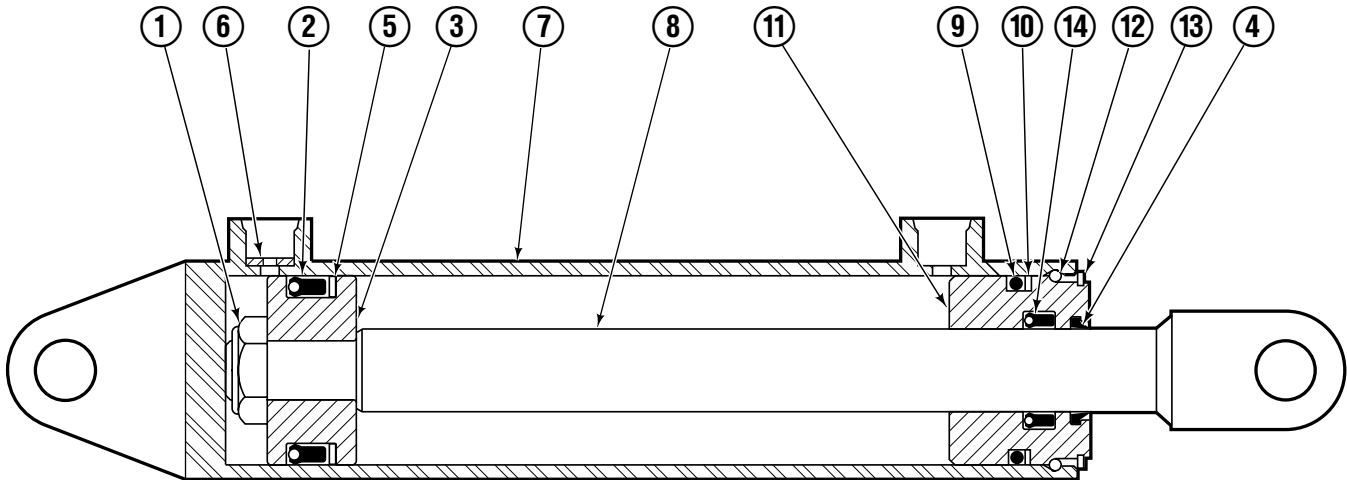
✕ Included in Service Kit.  
 ■ Included in Nut Service Kit 668925.  
 Ref: S-5564, S-5565

# Common Parts



REF	QTY	PART NO.	DESCRIPTION
		399683	Common Parts
1	2	676650	Bearing - Lower
2	1	676649	Cylinder Assembly
3	1	381523	Anchor Bracket Weldment
4	2	804065	Bearing Segment - Upper
5	1	678528	Pin - Clevis
6	2	672726	Cotter Pin
7	1	678528	Pin - Clevis

# Sideshift Cylinder

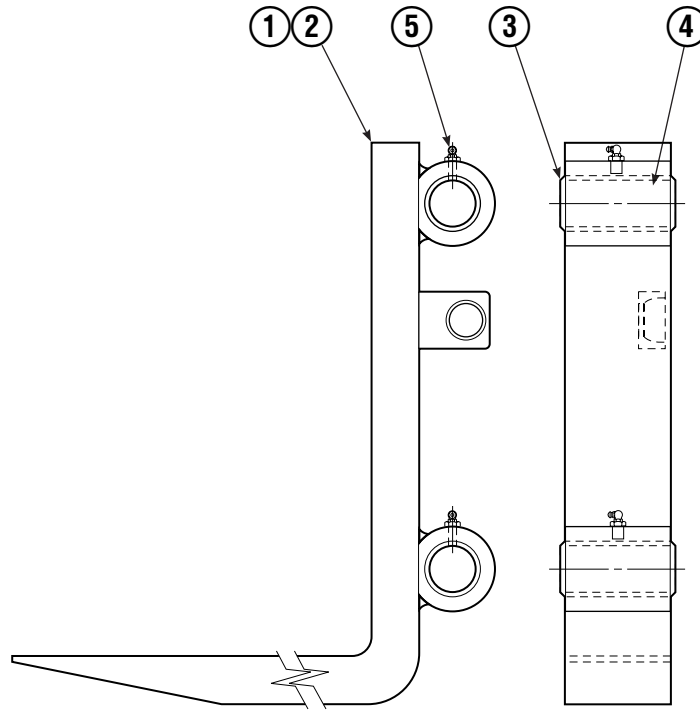


FP0029.ill

REF	QTY	PART NO.	DESCRIPTION
		676649	Cylinder Assembly
1	1	553717	Nut
■ 2	1	662456	Seal
3	1	553527	Piston
■ 4	1	636852	Wiper
■ 5	1	649817	Back-up Ring
6	1	675550	Washer (orifice .085)
7	1	676776	Shell
8	1	553530	Rod
■ 9	1	2789	O-Ring
■ 10	1	615132	Back-up Ring
11	1	553528	Retainer
12	1	553688	Retaining Ring
13	1	7211	Snap Ring
■ 14	1	662447	Seal
		553866	Service Kit

■ Included in Service Kit 553866.

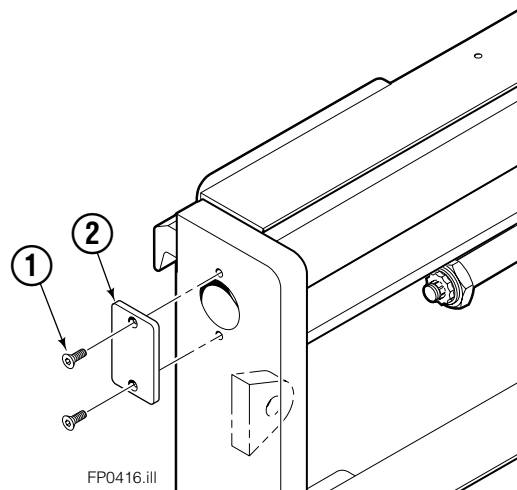
# Fork Group



FP0191.iii

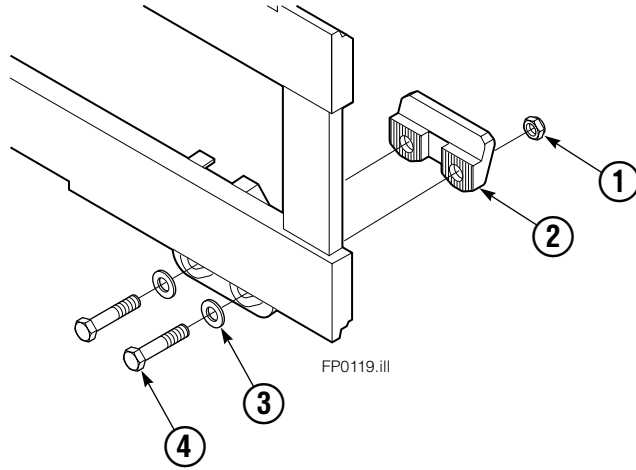
REF	QTY	36 in. PART NO.	42 in. PART NO.	48 in. PART NO.	54 in. PART NO.	60 in. PART NO.	72 in. PART NO.	96 in. PART NO.	DESCRIPTION
		214672	214673	<b>214674</b>	214675	214676	214677	214678	Fork Group
1	1	829195	829194	829193	829192	829191	393961	393963	Fork - L.H.
2	1	829185	829186	829187	829188	829189	393962	393964	Fork - R.H.
3	8	7217	7217	7217	7217	7217	7217	7217	Retaining Ring
4	4	827203	827203	827203	827203	827203	827203	827203	Bushing
5	4	828470	828470	828470	828470	828470	828470	828470	Grease Fitting

# Backrest Group



REF	QTY	PART NO.	DESCRIPTION
		214679	Backrest Group
1	8	4771	Capscrew
2	4	826123	End Plate

# Mounting Group



REF	QTY	PART NO.	DESCRIPTION
		677280	Mounting Group
1	2	553857	Nut
2	1	677160	Lower Hook
3	2	667225	Washer
4	2	638601	Capscrew



**Do you have questions you need answered right now?** Call your nearest Cascade Parts Department.

**Cascade Corporation**  
2501 Sheridan Avenue  
Springfield, OH 45505  
Tel: 888-CASCADE (227-2233)  
FAX: 888-329-0234  
www.cascorp.com

**Cascade Canada Inc.**  
5570 Timberlea Blvd.  
Mississauga, Ontario  
Canada L4W-4M6  
Tel: 905-629-7777  
FAX: 905-629-7785

**Cascade GmbH**  
D-41199 Monchengladbach  
Klosterhofweg 52  
Germany  
Tel: 21-66-602091  
FAX: 21-66-680947

**Cascade Finland**  
01370 Vantas  
Finland  
Tel: 358-0-836-1925  
FAX: 358-0-836-1935

**Cascade N.V.  
European Headquarters**  
P.O. Box 3009  
1300 El Almere  
Damsluisweg 56  
1332 ED Almere  
The Netherlands  
Tel: 31-36-5492911  
FAX: 31-36-5492964

**Cascade N.V.  
Benelux Sales and Service**  
P.O. Box 3009  
1300 El Almere  
Damsluisweg 56  
1332 ED Almere  
The Netherlands  
Tel: 31-36-5492950  
FAX: 31-36-5492974

**Cascade (UK) Ltd.**  
15, Orgreave Crescent  
Dore House Industrial Estate  
Handsworth  
Sheffield S13 9NQ  
England  
Tel: 742-697524  
FAX: 742-695121

**Cascade Scandinavia  
Hydraulik A.B.**  
Muskötgatan 19, E8-9  
S25466 Helsingborg  
Sweden  
Tel: 42-151135  
FAX: 42-152997

**Cascade Norway**  
Østerliveien 37A  
1153 Oslo  
Norway  
Tel: 47-22-743160  
FAX: 47-22-743157

**Cascade France S.A.R.L.**  
11, Rue Jean Charcot  
Zone Industrielle Sud or  
B.P. 22  
91421 Morangis Cedex  
France  
Tel: 1- 64547501  
FAX: 1-9790584

**Cascade Hispania S.A.**  
Avenida De La Fabregada, 7  
Hospitalet De Llobregat  
Barcelona  
Spain  
Tel: 3-335-5158  
FAX: 3-335-4756

**Cascade Japan Ltd.**  
5-5-41,  
Torikai Kami  
Settsu, Osaka  
Japan, 566  
Tel: 81-726-53-3490  
FAX: 81-726-53-3497

**Cascade Korea**  
Room 508, Pum Yang Bldg.  
750-14, Bang Bac-Dong  
Se-Cho Ku, Seoul  
Korea  
Tel: 2599-7131 ext. 512  
FAX: 2533-8089

**HYCO-Cascade Pty. Ltd.**  
1445 Ipswich Road  
Rocklea,  
Queensland 4107  
Australia  
Tel: 3-274-2722  
FAX: 3-274-3456

**HYCO-Cascade (NZ) Ltd.**  
15 Ra Ora Drive, East Tamaki  
P.O. Box 38-440  
Howick, Auckland  
New Zealand  
Tel: 9-273-9136  
FAX: 9-273-9137

**Cascade (Africa) Pty. Ltd.**  
P.O. Box 625, Isando 1600  
60A Steel Road  
Sparton, Kempton Park  
South Africa  
Tel: 975-9240  
FAX: 394-1147

**Cascade-Xiamen**  
Wanshan No. 1 Workshop  
Huli Road  
Xiamen 361006  
Fujian, PRC  
Tel: 592-562-4600  
FAX: 592-562-4671

**Cascade (Singapore)  
Trading Co.**  
Four Seasons Park  
Autumn Block - Apt. 1802  
12 Cascaden Walk  
Singapore  
Tel: 65-834-1935  
FAX: 65-834-1936

