



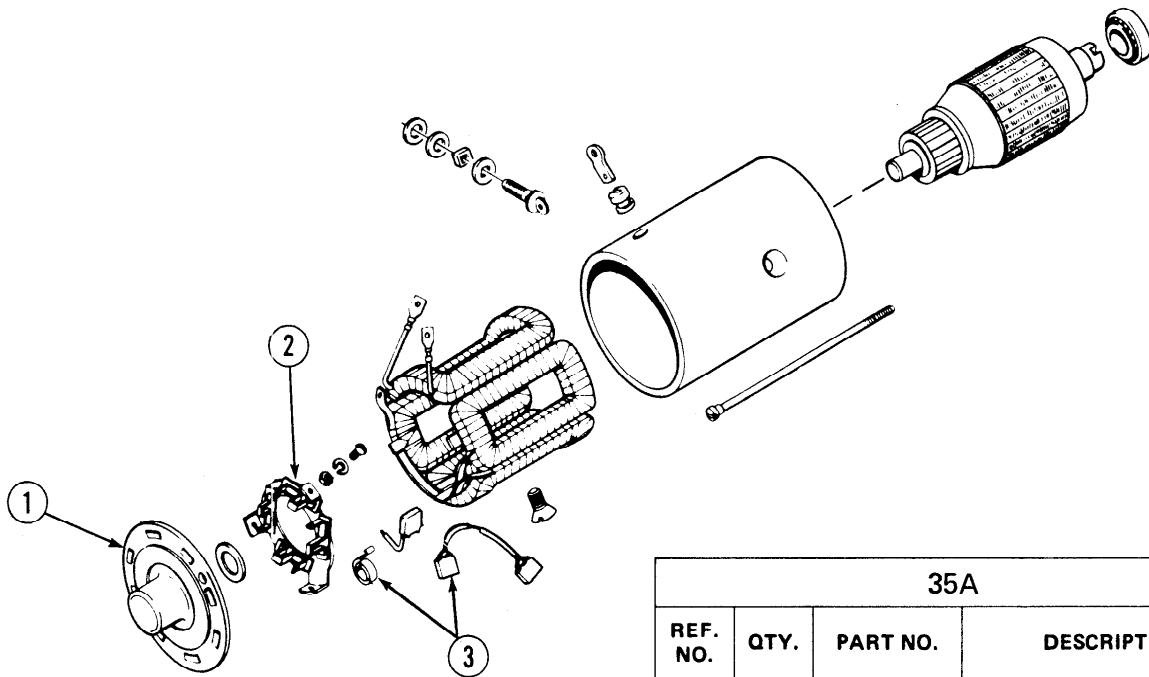
Number 132

November 1983

Technical Bulletin

Walkie Push/Pull Motor Service Parts

The 24V motor (667780) for the 35A Walkie Push/Pull attachment was previously serviced as an assembly only. Replacement parts shown below are now available through the Cascade Parts Depot.



35A			
REF. NO.	QTY.	PART NO.	DESCRIPTION
	1	667780	Motor Assembly - 24V
1	1	673431	Bearing Cap
2	1	673432	Plate Assembly
3	1	673433	Brush Set

The service parts can be ordered by contacting:

Cascade Corporation Parts Depot
2501 Sheridan Ave.
Springfield, Ohio 45505
Telephone: (513) 322-1199
Telex: 205413

© Cascade Corporation 1983 P/N 674343

cascade[®]

For Technical Assistance . . .

Call: 1-800-CASCADE or 503-669-6300

OR

Write: Cascade Corporation, P.O. Box 20187, Portland, OR 97220

To Order Parts . . .

Call: 513-322-1199

OR

Write: Cascade Corporation, P.O. Box 360, Springfield, OH 45505