



Parts Manual

Model _____ **Paper Roll Clamp**

Serial Number _____ **90FX-RCP-102**

cascade[®]
corporation

For Technical Assistance call: 800-227-2233, Fax: 888-329-8207

To Order Parts call: 888-227-2233, Fax: 888-329-0234

OR

Write: Cascade Corporation, P.O. Box 20187, Portland, OR 97220

Internet: www.cascorp.com

Safety Decals

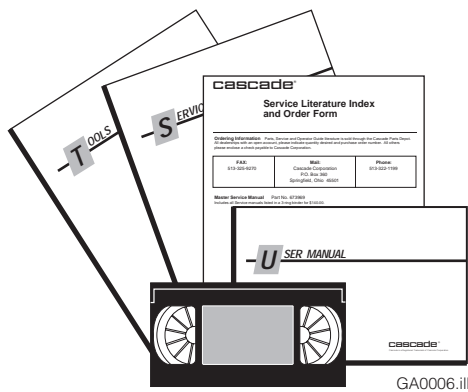


RC0636.ill



Roll Clamp Safety Decals			
REF	QTY	PART NO.	DESCRIPTION
1	6	665595	No Hand Hold Decal
2	3	660269	Short Arm Rotation Position Decal
3	4	656038	Caution Decal
4	4	679150	No Step Decal
5	4	665677	Trapped Pressure Decal
6	1	679059	Quick-Change Hook Decal

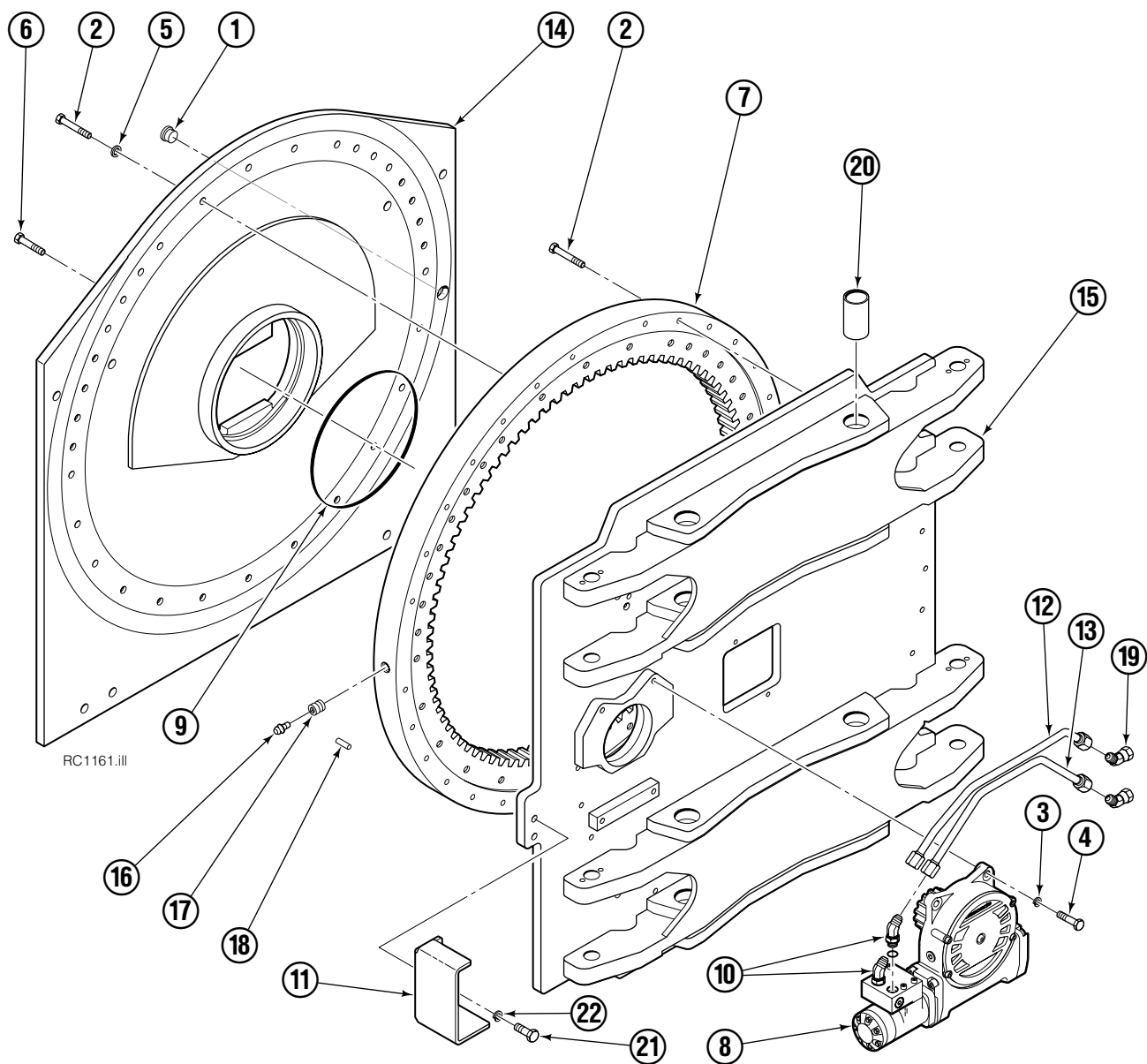
Publications



GA0006.ill

Roll Clamp Publications	
674512	Service Manual
674509	Operator's Guide – Fixed Frame
676268	Operator's Guide – Swing Frame
674510	Installation Instructions – Fixed Frame
674511	Installation Instructions – Swing Frame
677555	Driver Training Video – VHS
678363	Troubleshooting Video – VHS
680664	Servicing Cascade Cylinders – VHS
679929	Tool Catalog
673964	Literature Index Order Form

Base Unit Group



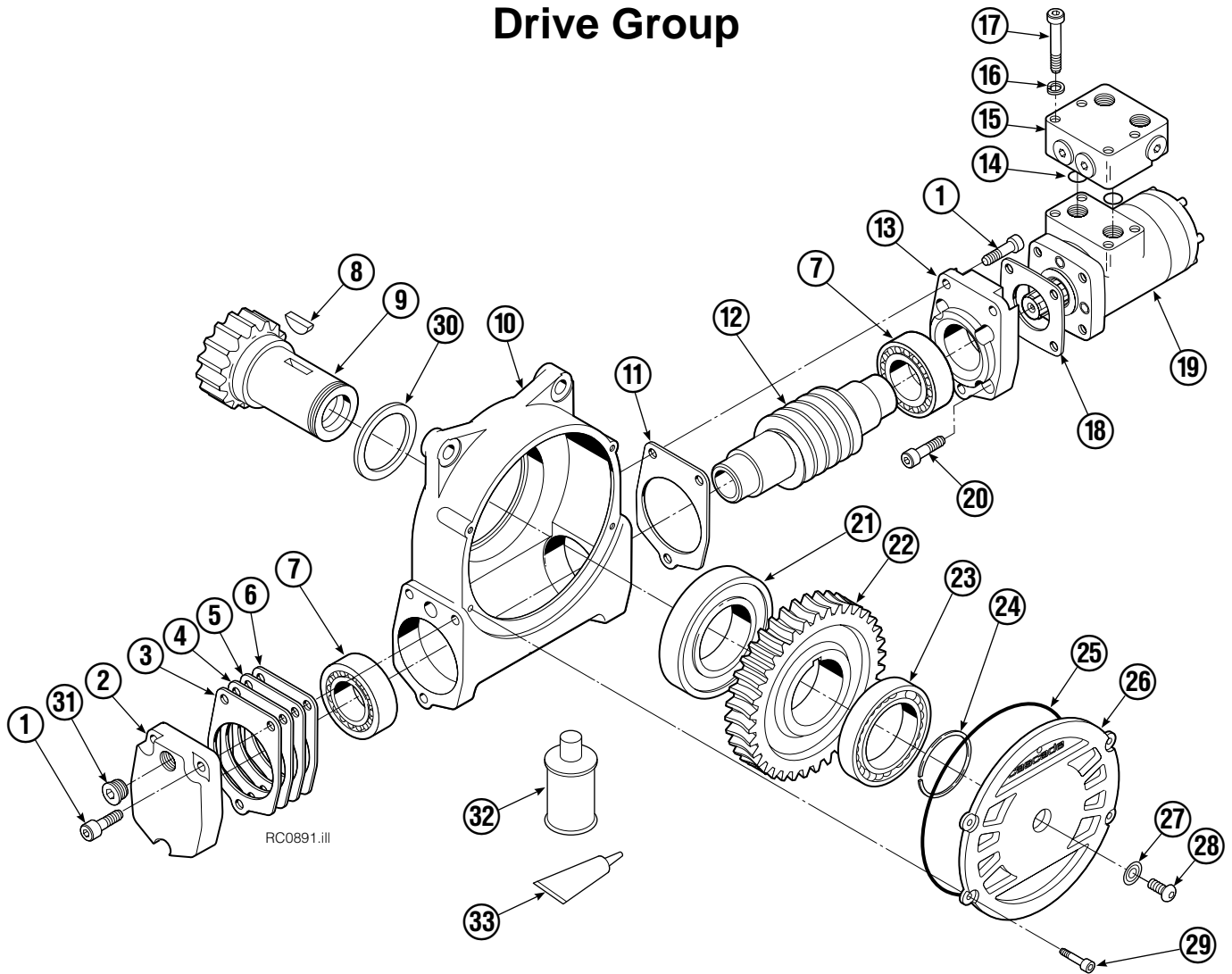
90FX

REF	QTY	PART NO.	DESCRIPTION	REF	QTY	PART NO.	DESCRIPTION
		3016432	Base Unit Group	12	1	6002862	Tube
1	1	664071	Plug	13	1	6002872	Tube
2	49	213633	Capscrew, M12 x 55	14	1	3014862	Baseplate
3	4	6290	Lockwasher, .50	15	1	3014874	Frame
4	4	214487	Capscrew, M12 x 40	16	1	7401	Grease Fitting
5	32	681473	Lockwasher, M12	17	1	670680	Plug
6	15	206174	Capscrew, M12 x 45	18	1	670681	Drive Pin
7	1	3014859	Bearing Assembly	19	2	605948	Fitting, 8-8
8	1	3014867	Drive Group ▲	20	8	3007666	Bearing
9	1	670931	Seal	21	2	779010	Capscrew, M16 x 35
10	2	611303	Fitting, 8-8	22	2	684355	Lockwasher, M16
11	1	6015267	Guard				

▲ See Drive Group page for parts breakdown.

Reference: Common Parts 3016431.

Drive Group



90F							
REF	QTY	PART NO.	DESCRIPTION	REF	QTY	PART NO.	DESCRIPTION
		3014867	Drive Group with 2.8 c.i. Motor	19	1	206392	Drive Motor – 2.8 c.i. ◆
1	6	769570	Capscrew, M12 x 25	20	4	4468	Capscrew, 3/8 NC x .75 GR8
2	1	676855	Cover	21	1	670580	Bearing
3	●	674513	Shim – .005" (blue)	22	1	675609	Worm Gear
4	●	670574	Shim – .010" (brown)	23	1	670581	Bearing
5	●	671757	Shim – .015" (pink)	24	1	7214	Snap Ring
6	●	671758	Shim – .020" (yellow)	25	1	643423	O-Ring
7	2	670579	Bearing	26	1	775552	Cover
8	1	670582	Key	27	1	783609	Seal
9	1	3014871	Pinion	28	1	783608	Capscrew, M12 x 16
10	1	6000607	Housing	29	4	200882	Capscrew, M8 x 20
11	1	686465	Gasket	30	1	3014870	Seal
12	1	675608	Worm	31	1	604510	Fitting, 6
13	1	775553	Adapter	32	1	656300	Gear Box Lube – 48 oz.
14	2	2705	O-Ring	33	1	668184	Sealant
15	1	670549	Check Valve ▲			670578	Shim Service Kit (items 3-6,25,33)
16	4	6444	Lockwasher			675637	Bearing Service Kit (items 21 & 33)
17	4	607059	Capscrew, 5/16 NC x 1.75 GR8			675638	Bearing Service Kit (items 3-7,25)
18	1	670575	Gasket			685227	Motor Kit-4.5 (items 4,14,18)

● Quantity as required.

▲ See Check Valve page for parts breakdown.

◆ See Drive Motor page for parts breakdown.

Drive Motor



REF	QTY	PART NO.	DESCRIPTION
		206392	Drive Motor
1	1	675478	Shaft
2	1	675477	Drive
3	1	675479	Spacer Plate
4	1	675480	■ Gerotor Set (101-1768-007)
4	1	685075	■ Gerotor Set (101-1768-009)
5	1	675482	End Cap
6	1	206405	● Service Kit
7	1	685089	■ Flange (101-1768-007)
7	1	685090	■ Flange (101-1768-009)

Cascade provides service replacement parts for the listed parts only. Due to cost, if others parts need replacement, the complete drive motor should be replaced.

■ See Nameplate under valve for correct part number of Gerotor Set and Flange.

● Compatible with water glycol based hydraulic fluids.

Check Valve



REF	QTY	PART NO.	DESCRIPTION
		670549	Check Valve Assembly
1	2	609453	Fitting, 10
2	2	670552	Spring
3	2	670551	Guide
4	2	7020	Ball
5	2	602580	Fitting, 8
6	2	673989	Spring
7	1	670550	Body
8	1	670553	Spool

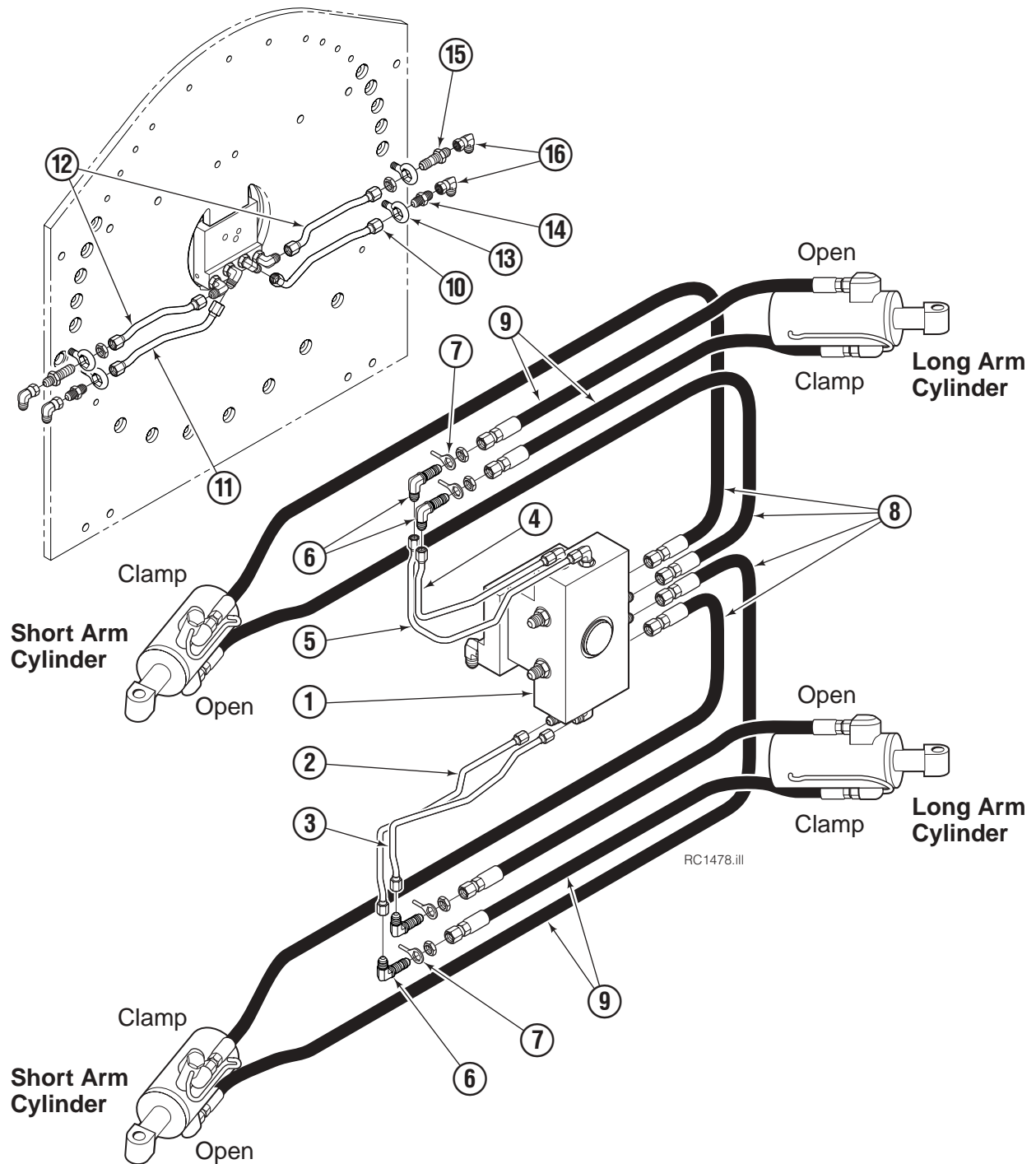
Common Components



RC0126.iii

90F			
REF	QTY	PART NO.	DESCRIPTION
		3016434	Components Group
1	8	660200	Shim
2	24	768809	Capscrew, M10 x 16
3	8	206589	Retainer
4	8	680651	Pin
5	8	673385	Drive Pin
6	4	206591	Retainer
7	4	675022	Pin
8	4	359294	Spacer
9	16	673379	Shim
10	4	675086	Drive Pin

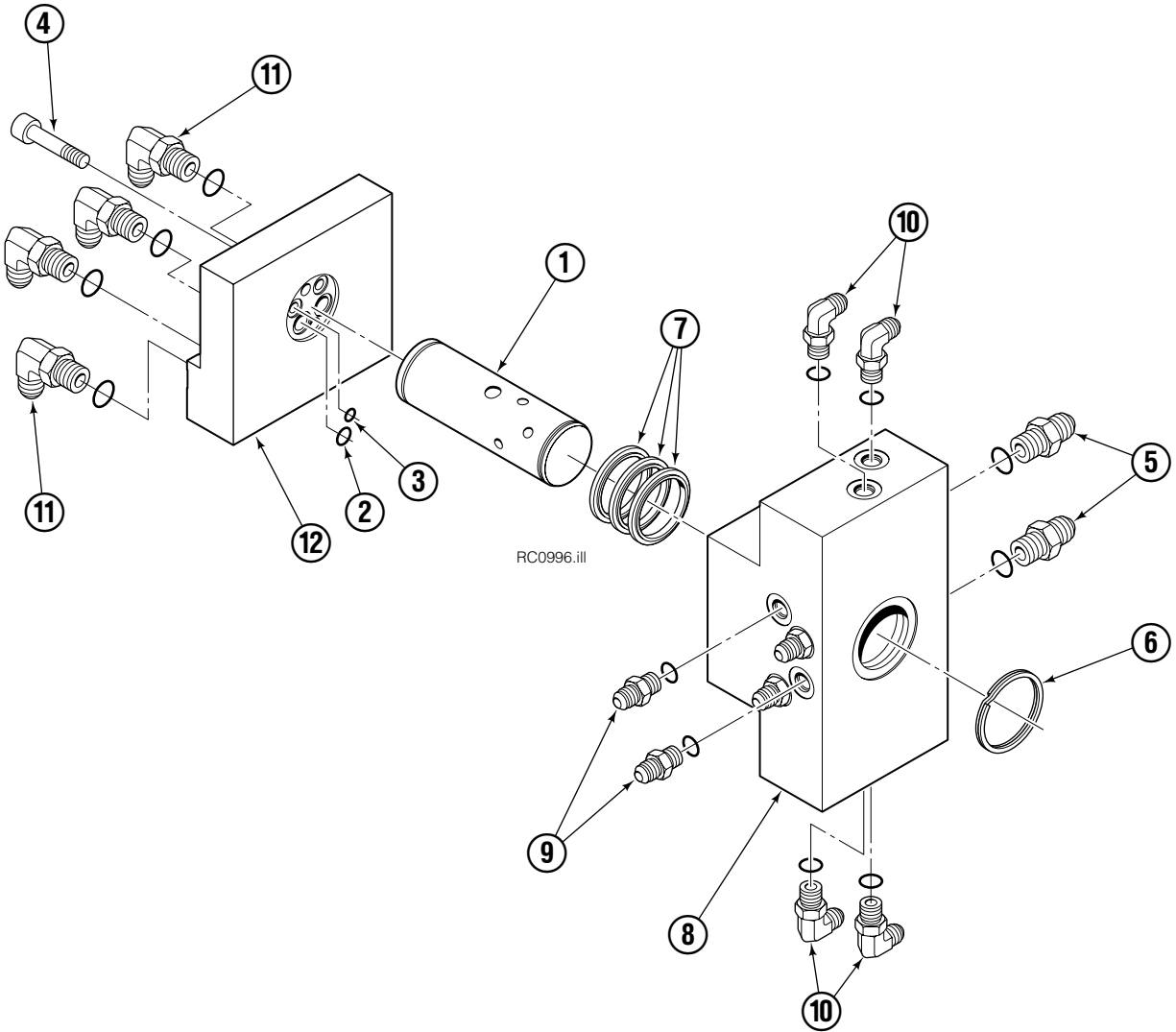
Hosing Group



90F							
REF	QTY	PART NO.	DESCRIPTION	REF	QTY	PART NO.	DESCRIPTION
		6028102	Hosing Group	9	4	680221	Hose, 51.75 in.
1	1	3016428	Revolving Connection ♦	10	1	6017879	Tube
2	1	6028067	Tube	11	1	6017880	Tube
3	1	6028066	Tube	12	2	6017888	Tube
4	1	6002940	Tube	13	4	6030710	Eye Bolt
5	1	6002941	Tube	14	2	2348	Fitting, 8-8
6	4	2453	Fitting, 6-6	15	2	2376	Fitting, 8-8
7	4	674743	Eye Bolt	16	4	605761	Fitting, 8-8
8	4	202406	Hose, 62.75 in.				

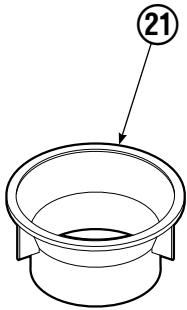
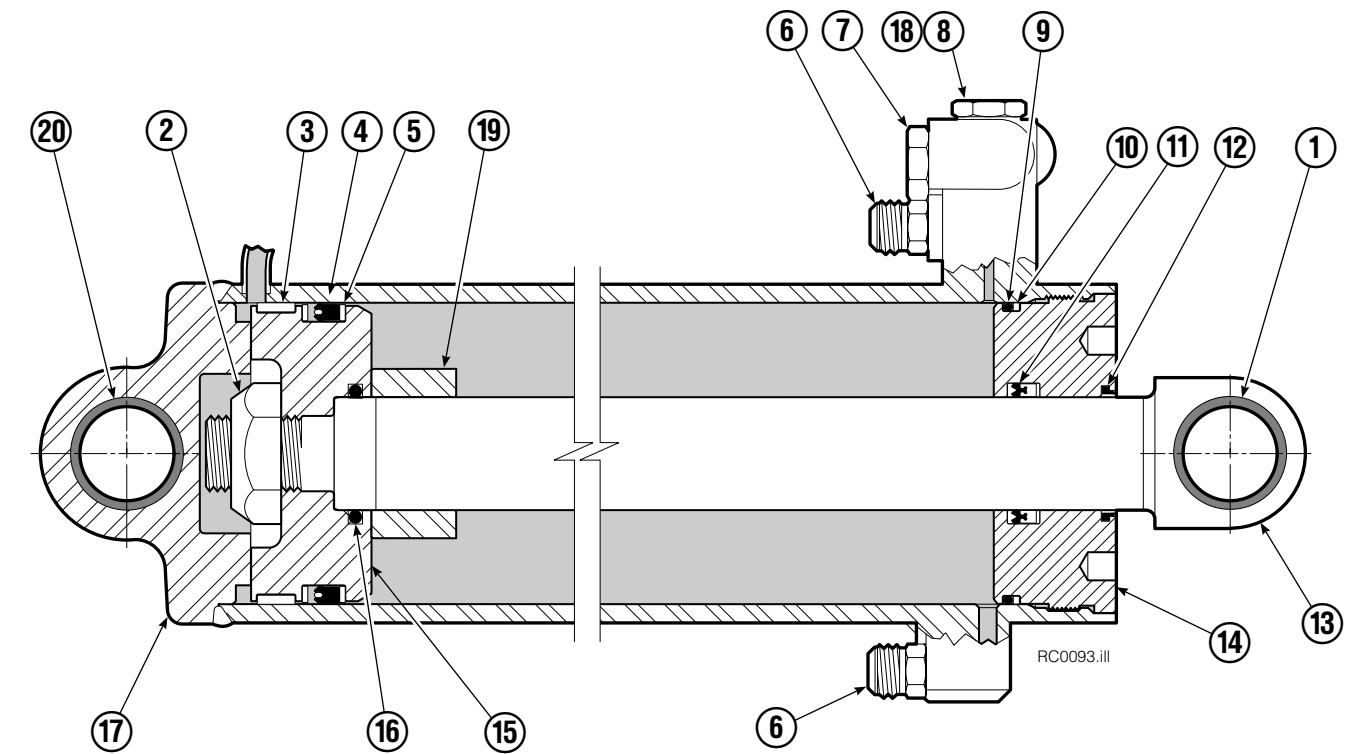
♦ See Revolving Connection page for parts breakdown.

Revolving Connection



90F			
REF	QTY	PART NO.	DESCRIPTION
		3016428	Revolving Connection
1	1	3016429	Shaft
2	2	624737	O-Ring
3	2	643335	O-Ring
4	2	768796	Capscrew, M8 x 35
5	2	601377	Fitting, 8-8
6	2	7350	Retaining Ring
7	5	212932	Shaft Seal
8	1	3016430	Valve Body
9	4	604511	Fitting, 6-6
10	4	601676	Fitting, 6-6
11	4	601250	Fitting, 8-8
12	1	6001497	End Block

Short Arm Cylinder

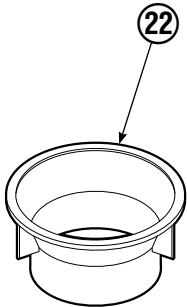
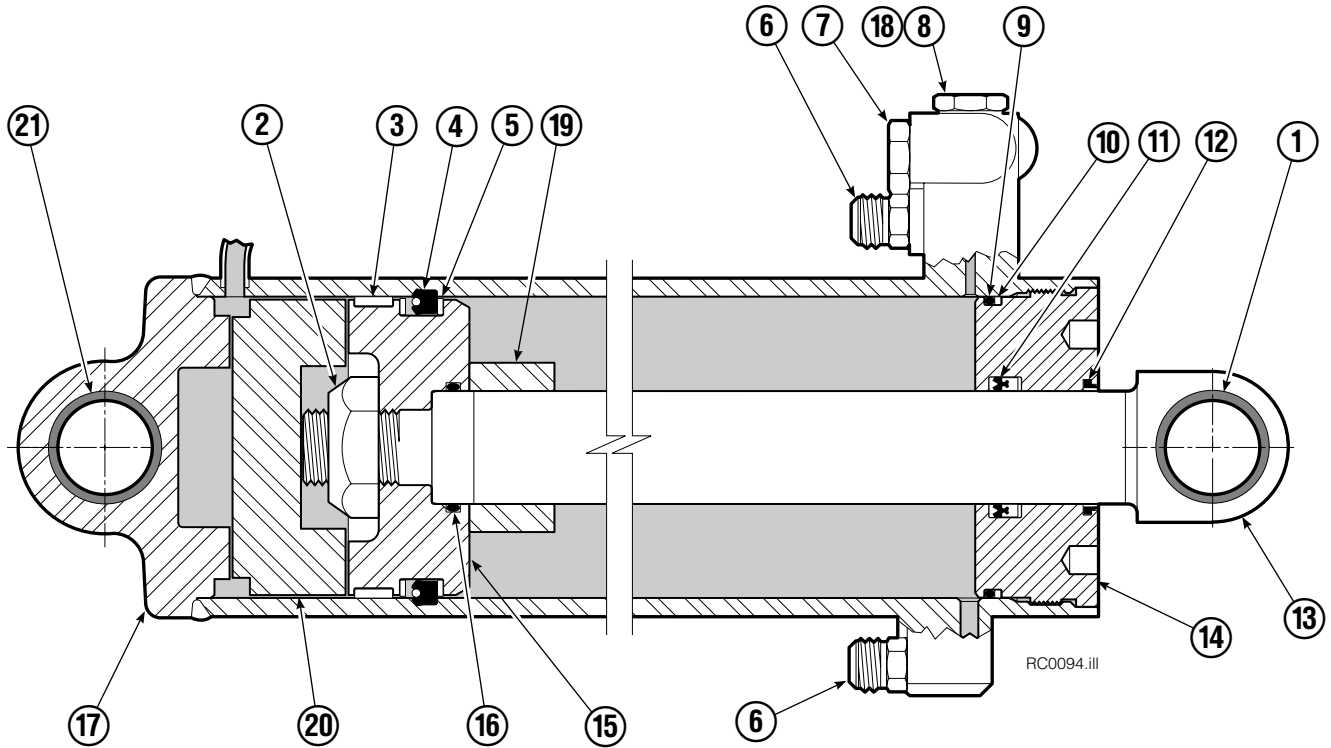


REF	QTY	PART NO.	DESCRIPTION
		3004364	Cylinder Assembly
1	1	674843	Bearing
2	1	560997	Nut
3	1	660769	◆ Bearing
4	1	662462	◆ Seal
5	2	638295	◆ Back-Up Ring
6	2	604511	Fitting, 6-6
7	1	556852	Fitting, 4
8	1	557212	Check Valve
9	1	2801	◆ O-Ring
10	1	563977	◆ Back-Up Ring
11	1	554598	◆ Seal
12	1	564930	◆ Wiper
13	1	3004377	Rod
14	1	555724	Retainer
15	1	557389	Piston
16	1	2722	◆ O-Ring
17	1	3004375	Shell
18	1	667516	Check Valve Service Kit
19	1	-	Spacer
20	2	675006	Bearing
21	1	669243	Seal Loader
		555725	Service Kit

◆ Included in Service Kit 555725.

Ref: S-5313, S-5314.

Long Arm Cylinder

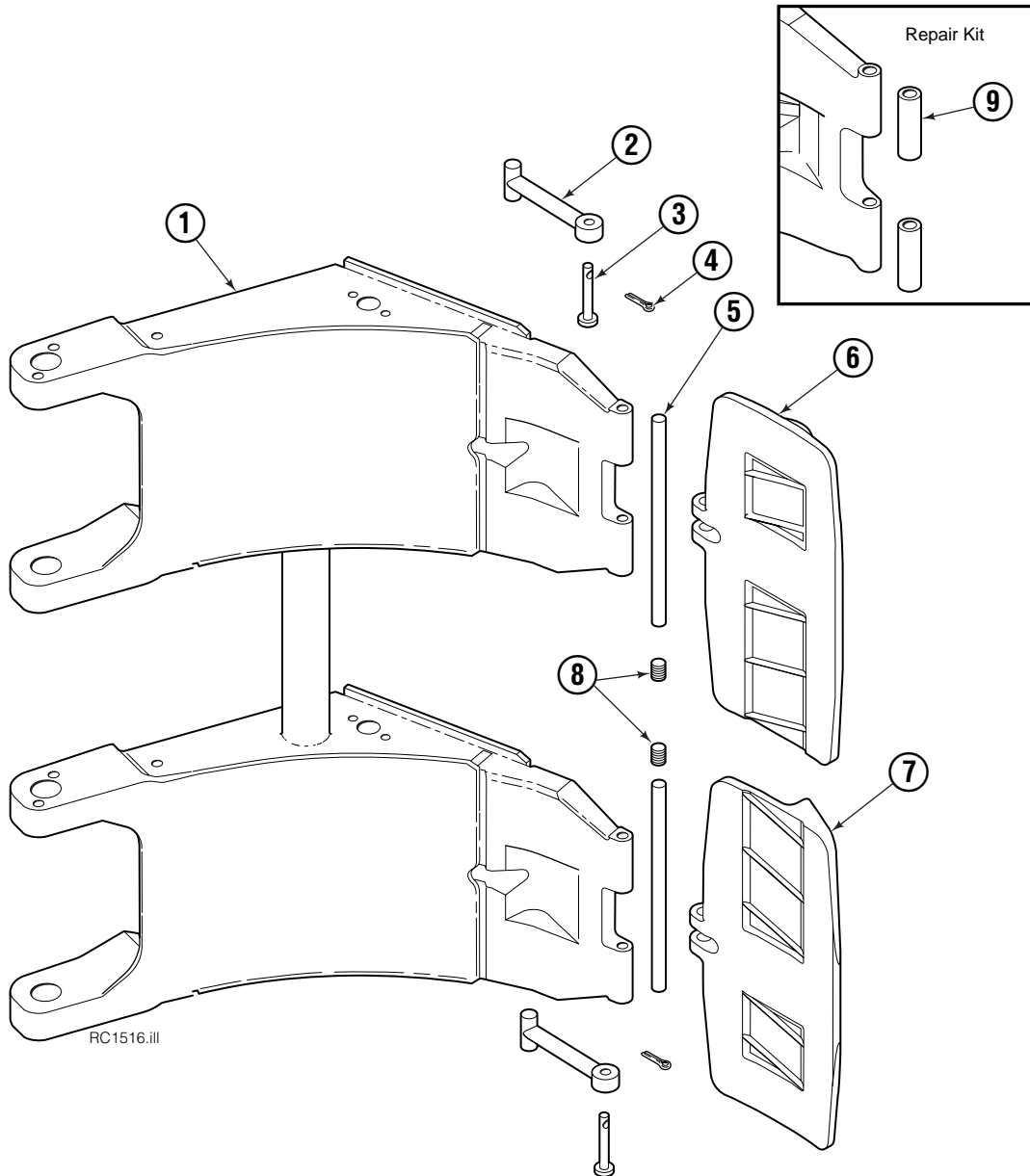


REF	QTY	PART NO.	DESCRIPTION
		3004410	Cylinder Assembly
1	1	674843	Bearing
2	1	560997	Nut
3	1	660769	◆ Bearing
4	1	662462	◆ Seal
5	2	638295	◆ Back-Up Ring
6	2	604511	Fitting, 6-6
7	1	556852	Fitting, 4
8	1	557212	Check Valve
9	1	2801	◆ O-Ring
10	1	563977	◆ Back-Up Ring
11	1	554598	◆ Seal
12	1	564930	◆ Wiper
13	1	3004374	Rod
14	1	555724	Retainer
15	1	557389	Piston
16	1	2722	◆ O-Ring
17	1	3004372	Shell
18	1	667516	Check Valve Service Kit
19	1	—	Spacer
20	1	—	Spacer
21	2	675006	Bearing
22	1	669243	Seal Loader
		555725	Service Kit

◆ Included in Service Kit 555725.

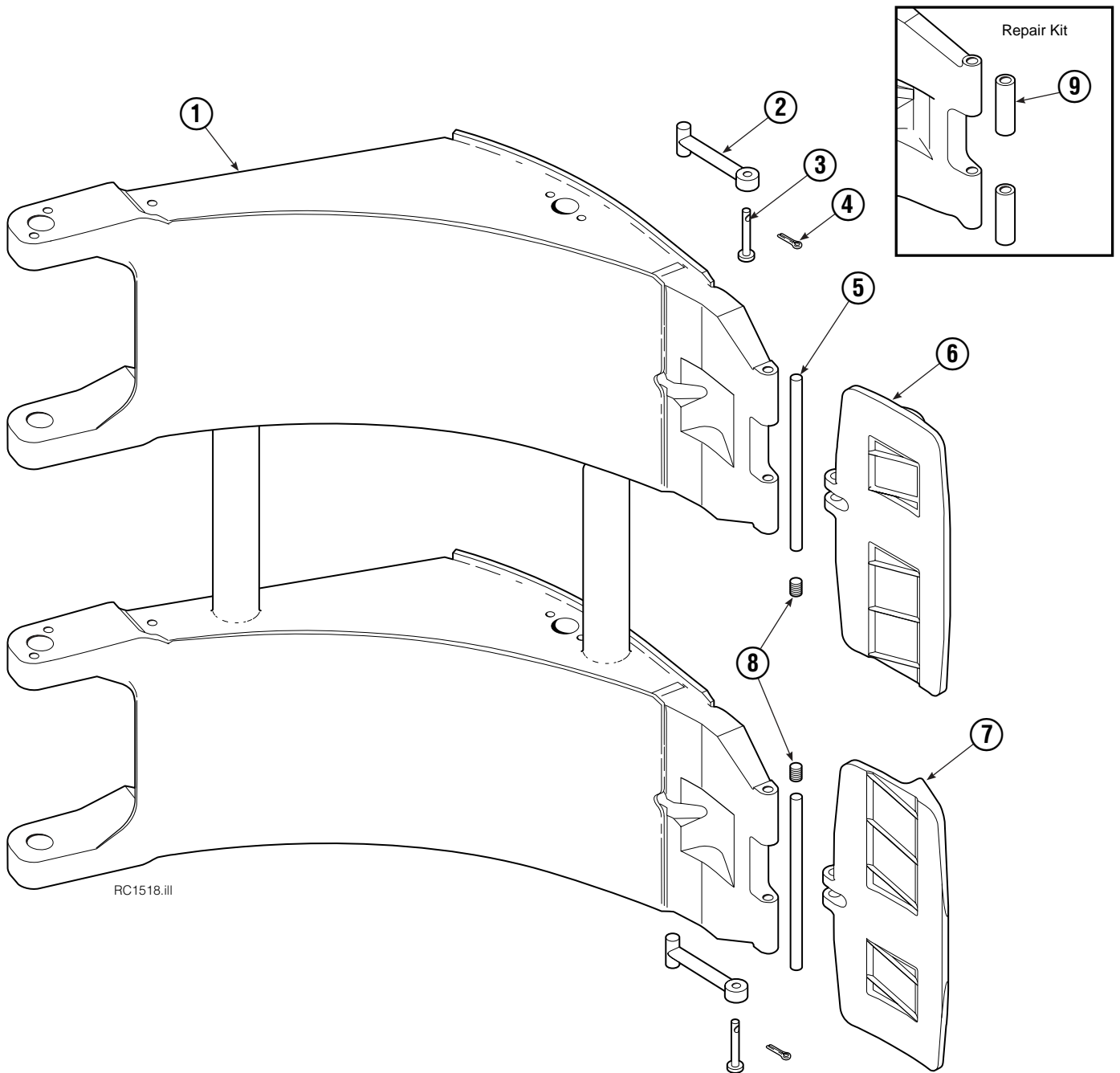
Ref: S-5320, S-5321.

Short Arm



90FX			
REF	QTY	PART NO.	DESCRIPTION
		3016440	Contact Pad Group
1	1	3016439	Short Arm
2	2	674994	Link
3	2	682978	Clevis Pin
4	2	6525	Cotter Pin
5	2	674993	Pin
6	1	3014872	Contact Pad
7	1	3014873	Contact Pad
8	2	689900	Plug
9	1	676810	Arm Tip Repair Kit

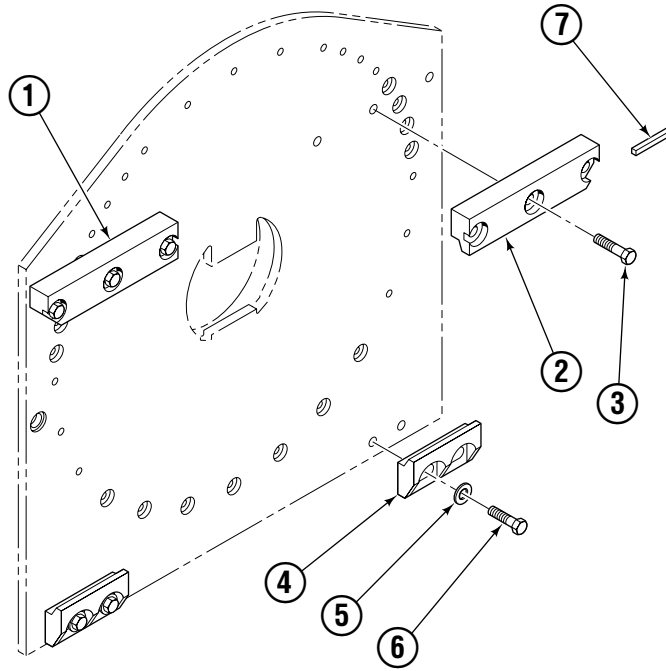
Long Arm



RC1518.ill

90FX			
REF	QTY	PART NO.	DESCRIPTION
		3016436	Contact Pad Group
1	1	3016438	Long Arm
2	2	674994	Link
3	2	682978	Clevis Pin
4	2	6525	Cotter Pin
5	2	674993	Pin
6	1	3014872	Contact Pad
7	1	3014873	Contact Pad
8	2	689900	Plug
9	1	676810	Arm Tip Repair Kit

Bolt-On Mounting Group



RC1003.iii

Class IV			
REF	QTY	PART NO.	DESCRIPTION
		3016435	Mounting Group
1	1	6002347	Upper Hook, LH
2	1	6002348	Upper Hook, RH
3	6	676801	Capscrew, M20 x 50
4	2	679832	Lower Hook
5	4	670692	Washer, 3/4 in. ID
6	4	779020	Capscrew, M20 x 45
7	1	670704	Stop Block Kit

Do you have questions you need answered right now? Call your nearest Cascade Parts Department. Visit us online at www.cascorp.com

Cascade Corporation
2501 Sheridan Avenue
Springfield, OH 45505
Tel: 888-CASCADE (227-2233)
FAX: 888-329-0234

Cascade Canada Inc.
5570 Timberlea Blvd.
Mississauga, Ontario
Canada L4W-4M6
Tel: 905-629-7777
FAX: 905-629-7785

Cascade GmbH
D-41199 Monchengladbach
Klosterhofweg 52
Germany
Tel: 49-216-668230
FAX: 49-216-6682323

Cascade Finland
Albert Petreliuksenkatu 3
01370 Vantaa
Finland
Tel: 358-9-836-1925
FAX: 358-9-836-1935

**Cascade N.V.
European Headquarters**
P.O. Box 3009
1300 El Almere
Damsluisweg 56
1332 ED Almere
The Netherlands
Tel: 31-36-5492911
FAX: 31-36-5492964

**Cascade N.V.
Benelux Sales and Service**
P.O. Box 3009
1300 El Almere
Damsluisweg 56
1332 ED Almere
The Netherlands
Tel: 31-36-5492950
FAX: 31-36-5492974

Cascade (UK) Ltd.
15, Orgreave Crescent
Dore House Industrial Estate
Handsworth
Sheffield S13 9NQ
England
Tel: 742-697524
FAX: 742-695121

Cascade Scandinavia AB
Box 124
Hammarvägen 10
567 23 Vaggeryd
Sweden
Tel: 42-0-393-36950
FAX: 46-0-393-36959

Cascade Norway
Østerliveien 37A
1153 Oslo
Norway
Tel: 47-22-743160
FAX: 47-22-743157

Cascade France S.A.R.L.
1D Rue De Charaintru
BP 18, 91360 Epinay-Sur-Orge
Morangis Cedex, France
Tel: 33-1- 64547500
FAX: 33-1-64547501

Cascade Hispania S.A.
Carrer 5 Sector C
Zona Franca Duanera
Poligono de la Zon Franca
08040 Barcelona, Spain
Office No. 256
Tel: 93-264-07-30
FAX: 93-264-07-31

Cascade Japan Ltd.
5-5-41,
Torikai Kami
Settsu, Osaka
Japan, 566
Tel: 81-726-53-3490
FAX: 81-726-53-3497

Cascade Korea
108B, Namdong Ind Complex
658-3 Gojan-Dong
Namdong-Gu
Inchon, 405-310 Korea
Tel: 82-32-821-2051
FAX: 82-32-821-2055

Cascade Australia
1445 Ipswich Road
Rocklea, QLD 4106
Australia
Tel: 1-800227-223
FAX: (07) 3373-7333

Cascade New Zealand
15 Ra Ora Drive
East Tamaki, Auckland
New Zealand
Tel: 9-273-9136
FAX: 9-273-9137

Cascade (Africa) Pty. Ltd.
P.O. Box 625, Isando 1600
60A Steel Road
Sparton, Kempton Park
South Africa
Tel: 27-11-975-9240
FAX: 27-11-394-1147

Cascade-Xiamen
No. 668 Yangguang Rd.
Xinyang Industrial Zone
Haicang, Xiamen City
Fujian Province
P.R. China 361026
Tel: 86-592-651-2500
FAX: 86-592-651-2571

**Cascade (Singapore)
Trading Co.**
Four Seasons Park
Autumn Block - Apt. 1802
12 Cuscaden Walk
Singapore
Tel: 65-834-1935
FAX: 65-834-1936

