



Parts Manual

Model Single-Double Pallet Handler

Serial Number 55E-FDS-1153

cascade[®]
corporation

For Technical Assistance call: 800-227-2233, Fax: 888-329-8207

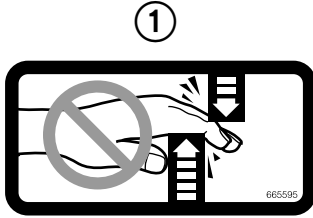
To Order Parts call: 888-227-2233, Fax: 888-329-0234

OR

Write: Cascade Corporation, P.O. Box 20187, Portland, OR 97220

Internet: www.cascorp.com

Decals



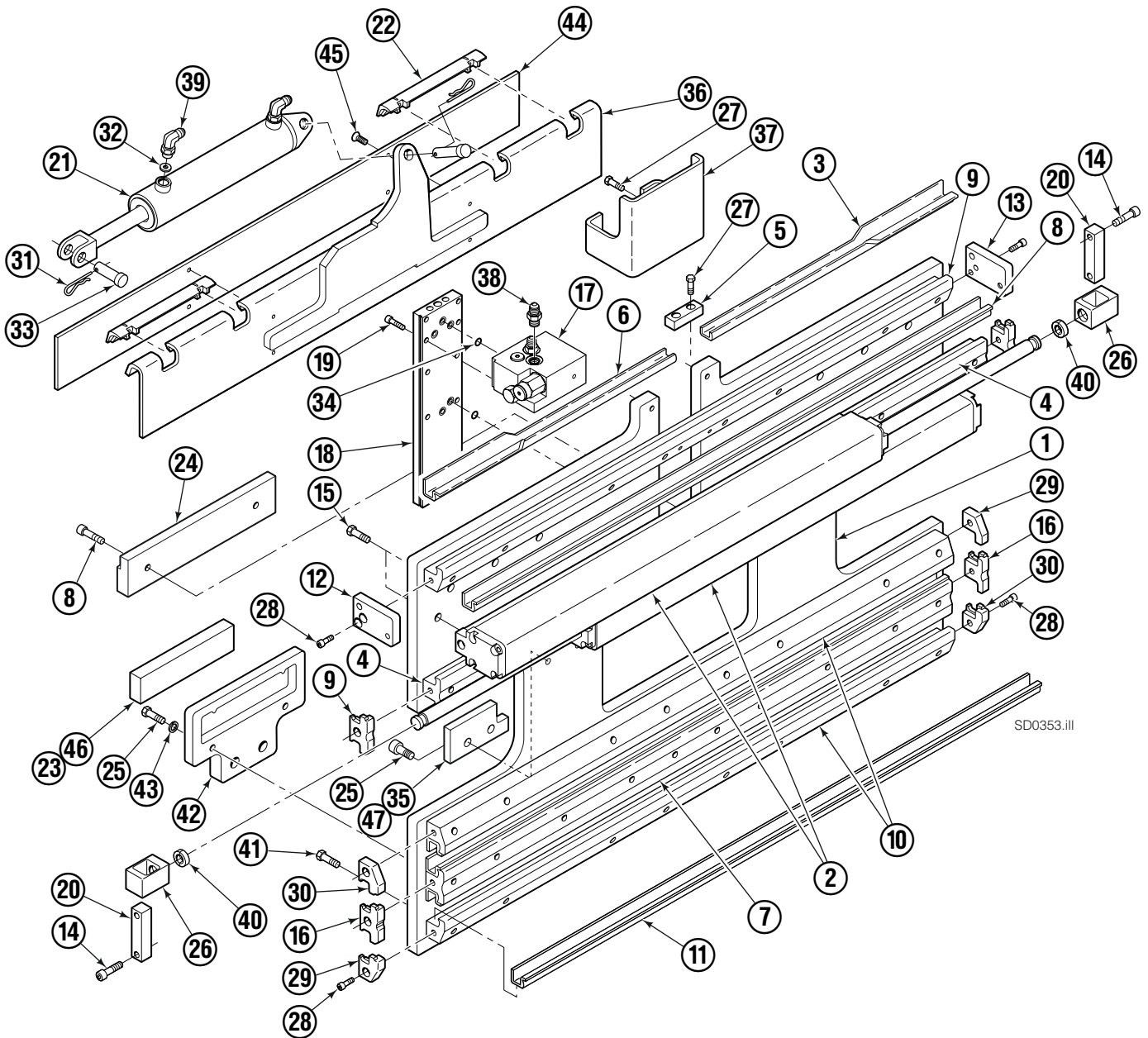
| 55E | | | |
|-----|-----|----------|--------------------|
| REF | QTY | PART NO. | DESCRIPTION |
| 1 | 6 | 665595 | No Hand Hold Decal |
| 2 | 4 | 679150 | No Step Decal |

Publications



| 55E | |
|----------|-----------------------------|
| PART NO. | DESCRIPTION |
| 214269 | Parts Manual |
| 213580 | Operator's Guide |
| 213372 | Installation Instructions |
| 679929 | Tool Catalog |
| 673964 | Literature Index Order Form |

Base Unit Group – ITA Class III

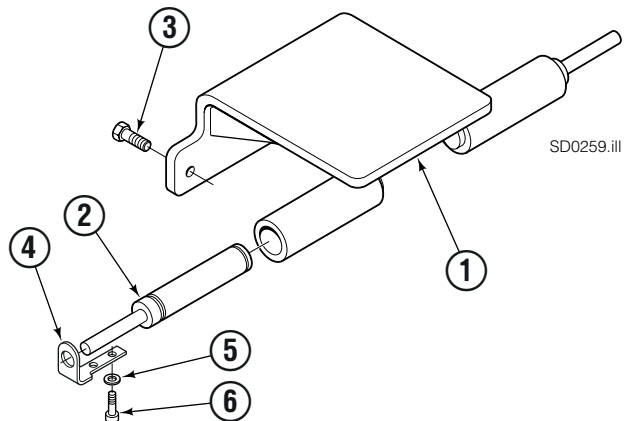


SD0353.ill

Inner Fork Control Group

| 55E | | | |
|-----|-----|----------|----------------------------|
| REF | QTY | PART NO. | DESCRIPTION |
| | | 225394 | Inner Fork Control Group ▼ |
| 1 | 1 | 225396 | Bracket |
| 2 | 2 | 225395 | Gas Cylinder |
| 3 | 3 | 623821 | Capscrew, M12x20 |
| 4 | 2 | 230791 | Retainer |
| 5 | 4 | 202346 | Washer, M6 |
| 6 | 4 | 768785 | Capscrew, M6x10 |

▼ Included in Base Unit Group 6108957.



SD0259.ill

Base Unit Group – ITA Class III

| REF | QTY | PART NO. | DESCRIPTION |
|-----|-----|-----------|----------------------|
| | | 6108957 | Base Unit Group ▼ |
| 1 | 1 | 3003738 | Baseplate |
| 2 | 2 | 214622 | Frame Cylinder ★ |
| 3 | 1 | 4786-0468 | Bearing Segment – LH |
| 4 | 2 | 214629 | T-Bar – Upper |
| 5 | 1 | 212723 | Fork Stop |
| 6 | 1 | 4787-0468 | Bearing Segment – RH |
| 7 | 1 | 214631 | T-Bar – Lower |
| 8 | 4 | 4730-1050 | Bearing Segment |
| 9 | 1 | 220143 | T-Bar – Upper |
| 10 | 2 | 214633 | T-Bar – Lower |
| 11 | 4 | 4730-1040 | Bearing Segment |

▼ Includes Inner Fork Control Group 225394.

| REF | QTY | PART NO. | DESCRIPTION | REF | QTY | PART NO. | DESCRIPTION |
|-----|-----|----------|----------------------|-----|-----|----------|-------------------------|
| | | 6108958 | Common Parts | 30 | 2 | 212586 | Bearing Retainer |
| 12 | 1 | 220009 | Retainer/Stop – RH | 31 | 2 | 672726 | Cotter Pin |
| 13 | 1 | 6101490 | Retainer/Stop – LH | 32 | 2 | 564226 | Washer |
| 14 | 6 | 768303 | Capscrew, M10 x 35 ■ | 33 | 2 | 206926 | Clevis Pin |
| 15 | 15 | 211689 | Capscrew, M12 x 30 | 34 | 7 | 214053 | O-Ring |
| 16 | 4 | 210140 | Bearing Retainer | 35 | 1 | 6108941 | Spacer, LH |
| 17 | 1 | 216838 | Valve Assembly ▲ | 36 | 1 | 6108879 | Anchor Bracket |
| 18 | 1 | 211456 | Manifold | 37 | 1 | 6007050 | Valve Guard |
| 19 | 10 | 768208 | Capscrew, M8 x 25 | 38 | 2 | 604511 | Fitting, 6-6 ◆ |
| 20 | 2 | 210489 | Rod End Anchor ■ | 39 | 2 | 601676 | Fitting, 6-6 ◆ |
| 21 | 1 | 675548 | Sideshift Cylinder ● | 40 | 4 | 210490 | Retainer Half Ring ■ |
| 22 | 2 | 672018 | Upper Bearing | 41 | 37 | 214487 | Capscrew, M12 x 40 |
| 23 | 2 | 6110475 | Lower Bearing | 42 | 2 | 215226 | Hanger |
| 24 | 1 | 6109528 | Spacer Block | 43 | 4 | 787383 | Lockwasher, M10 |
| 25 | 10 | 767615 | Capscrew, M10 x 25 | 44 | 1 | 6108946 | Spacer |
| 26 | 2 | 209741 | Rod End ■ | 45 | 4 | 768684 | Capscrew, M6 x 10 |
| 27 | 4 | 684649 | Capscrew, M10 x 25 | 46 | 2 | 6108953 | Lower Bearing, Class II |
| 28 | 14 | 787375 | Capscrew, M8 x 20 | 47 | 1 | 6109458 | Spacer, RH |
| 29 | 2 | 212585 | Bearing Retainer | | | | |

★ See Frame Cylinder page for parts breakdown.

▲ See Valve Assembly page for parts breakdown.

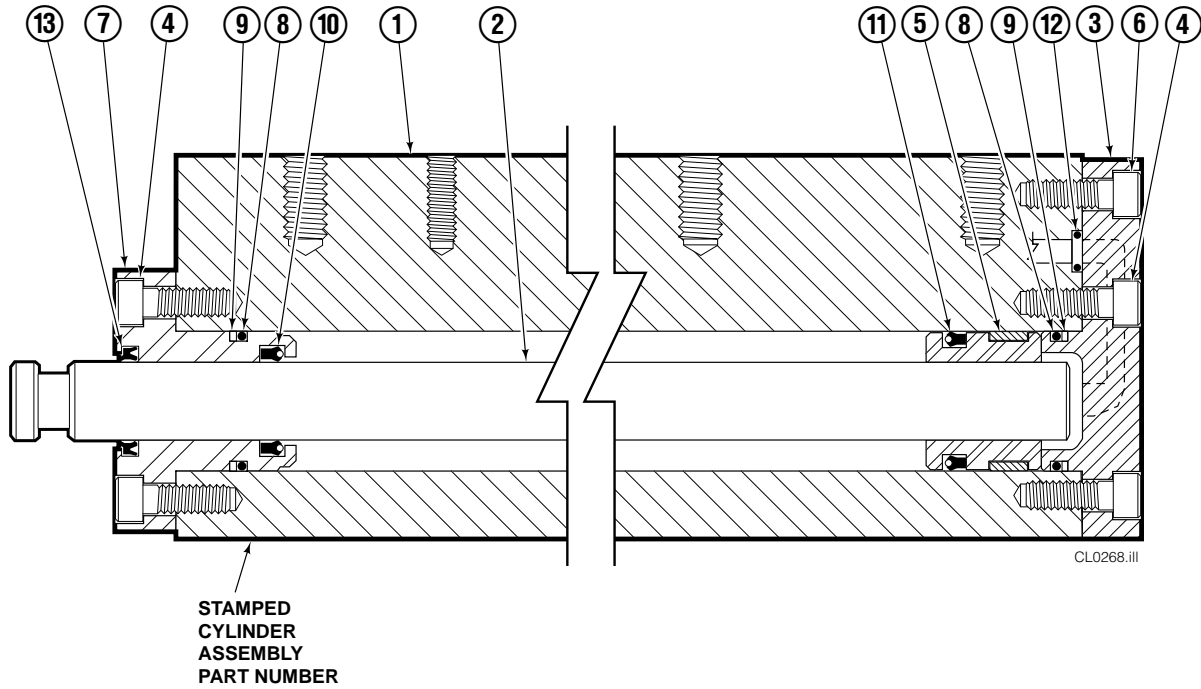
■ Included in Cylinder Rod Anchor Kit 213856.

● See Sideshift Cylinder page for parts breakdown.

◆ Included in Fitting Group 213099.

Reference: SK-6373.

Frame Cylinder



| 55E | | | |
|-----|-----|----------|-------------------|
| REF | QTY | PART NO. | DESCRIPTION |
| | | 214622 | Cylinder Assembly |
| 1 | 1 | 214623 | Cylinder/Shell |
| 2 | 1 | 4157-825 | Rod |
| 3 | 1 | 213783 | End Cap |
| 4 | 8 | 768208 | Capscrew, M8 x 25 |
| 5 | 1 | 209809 | Bearing ▲ |
| 6 | 1 | 787375 | Capscrew, M8 x 20 |
| 7 | 1 | 212452 | Retainer |
| 8 | 3 | 643379 | O-Ring ▲ |
| 9 | 2 | 210050 | Back-Up Ring ▲ |
| 10 | 1 | 212477 | Seal ▲ |
| 11 | 1 | 209808 | Seal ▲ |
| 12 | 2 | 214053 | O-Ring ▲ |
| 13 | 1 | 562131 | Wiper ▲ |
| | | 210090 | Service Kit |

▲ Included in Service Kit 210090.

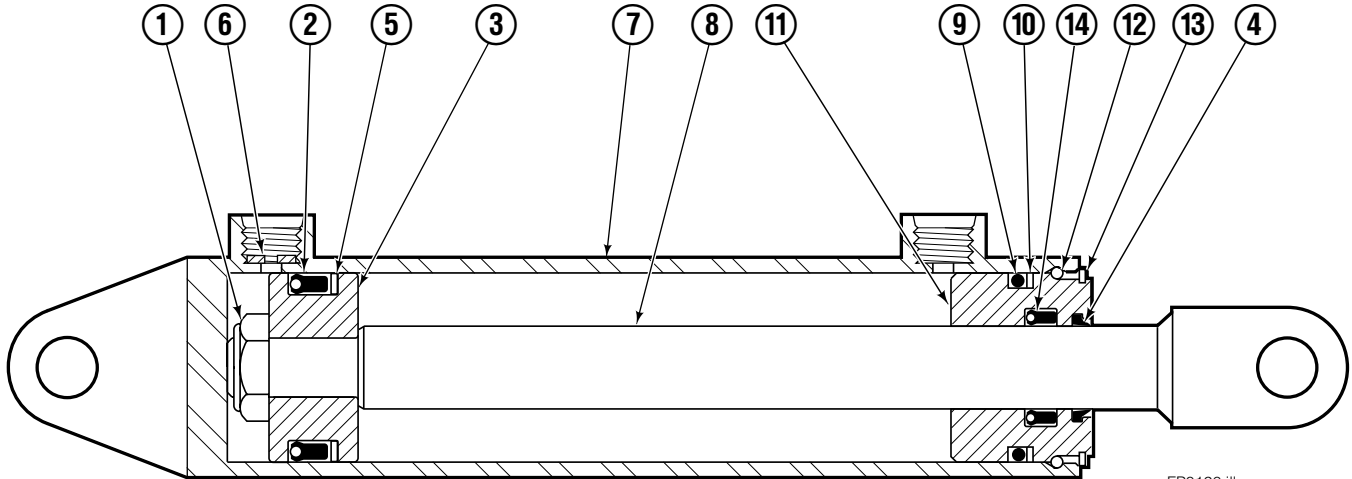
Reference: S-4643, S-4644.

Valve ITA Class III



| 55E | | | |
|-----|-----|----------|------------------------|
| REF | QTY | PART NO. | DESCRIPTION |
| | | 216838 | Valve Assembly |
| 1 | 1 | 219039 | Check Valve |
| 2 | 1 | — | Service Kit |
| 3 | 1 | 609234 | Plug |
| 4 | 1 | 216839 | Valve Body |
| 5 | 1 | 213535 | Crossover Relief Valve |
| 6 | 1 | 682170 | Service Kit |
| 7 | 1 | 219040 | Flow Divider/Combiner |
| 8 | 1 | — | Service Kit |

Sideshift Cylinder ITA Class III

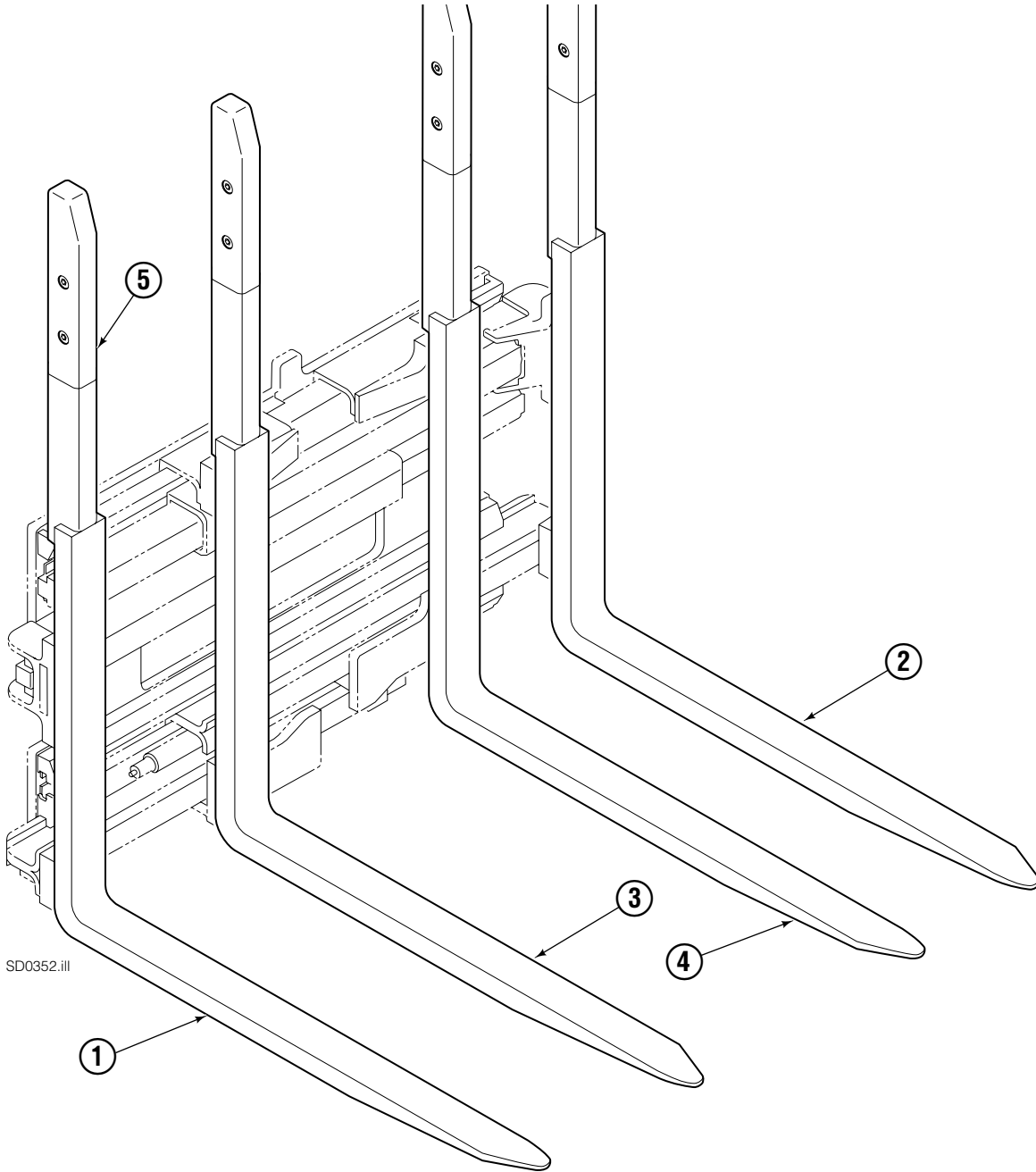


FP0126.ill

| 55E | | | |
|-----|-----|----------|---------------------------|
| REF | QTY | PART NO. | DESCRIPTION |
| | | 675548 | Cylinder Assembly |
| 1 | 1 | 553857 | Nut |
| 2 | 1 | 662452 | ■ Seal |
| 3 | 1 | 553501 | Piston |
| 4 | 1 | 636851 | ■ Wiper |
| 5 | 1 | 638247 | ■ Back-up Ring |
| 6 | 1 | 675550 | Washer (orifice .085 in.) |
| 7 | 1 | 675549 | Shell |
| 8 | 1 | 553449 | Rod |
| 9 | 1 | 2785 | ■ O-Ring |
| 10 | 1 | 615128 | ■ Back-up Ring |
| 11 | 1 | 553500 | Retainer |
| 12 | 1 | 553856 | Retaining Ring |
| 13 | 1 | 7202 | Snap Ring |
| 14 | 1 | 641835 | ■ Seal |
| | | 553861 | Service Kit |

■ Included in Service Kit 553861.

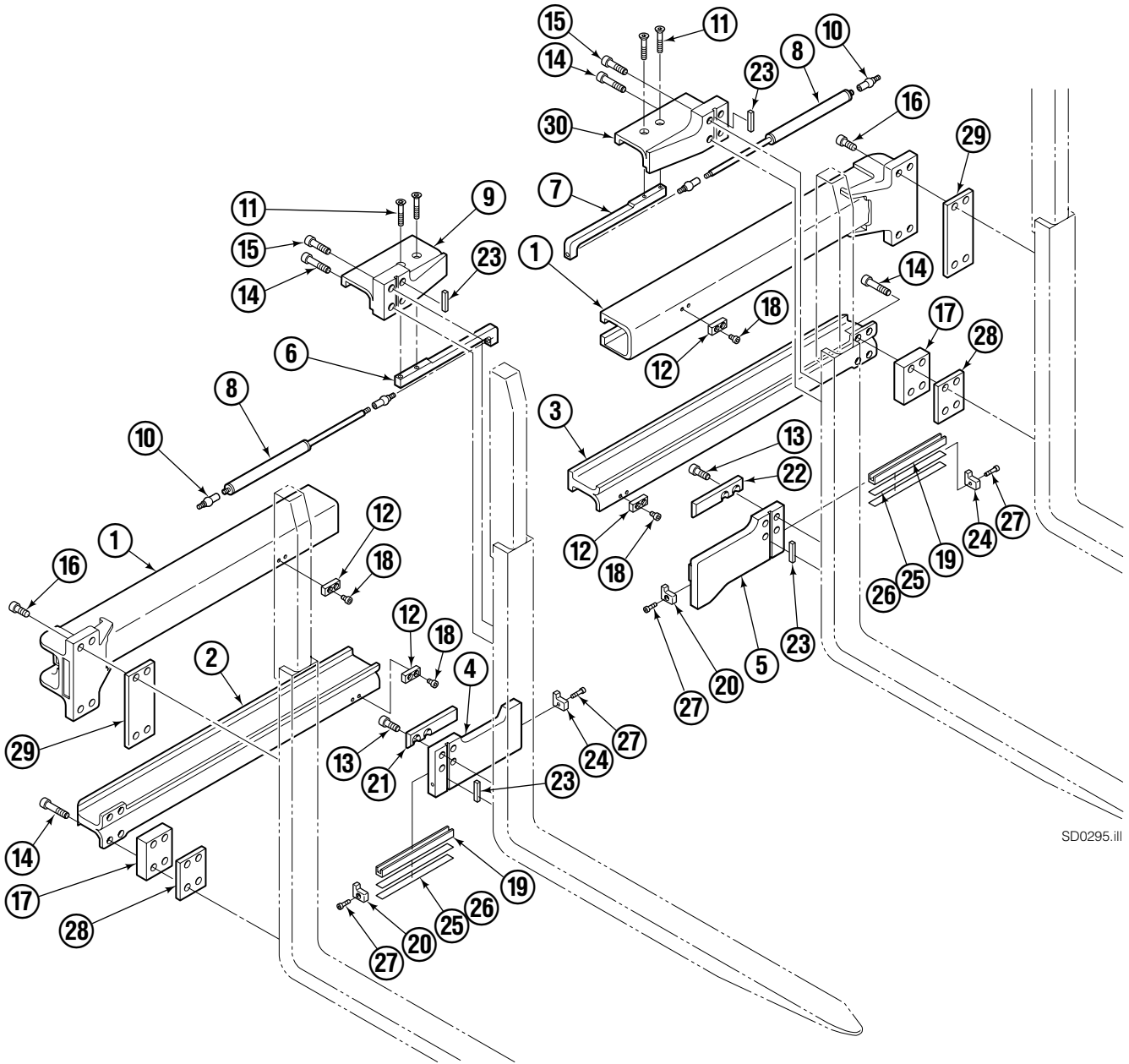
Tube Backrest/Fork Group



| 55E | | | |
|-----|-----|----------|-----------------|
| REF | QTY | PART NO. | DESCRIPTION |
| | | 6108856 | Fork Group |
| 1 | 1 | 6108858 | Outer Fork – RH |
| 2 | 1 | 6108857 | Outer Fork – LH |
| 3 | 1 | 6108860 | Inner Fork – RH |
| 4 | 1 | 6108859 | Inner Fork – LH |
| 5 | 4 | 6108770 | Bolt-On Tube |

Reference: S-4513, S-4514.

Arm Group



SD0295.iii

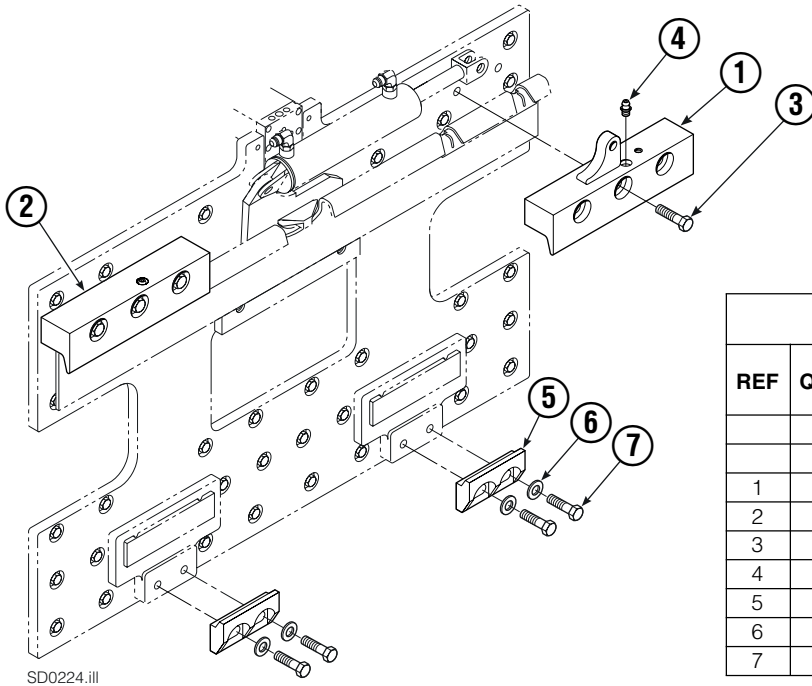
Arm Group

| 55E | | | |
|-----|-----|------------|--------------------|
| REF | QTY | PART NO. | DESCRIPTION |
| | | 6104472 | Arm Group |
| 1 | 2 | 220176 | Upper Arm Bar |
| 2 | 1 | 220216 | Lower Arm Bar – RH |
| 3 | 1 | 220206 | Lower Arm Bar – LH |
| 4 | 1 | 220136 | Lower Hook – RH |
| 5 | 1 | 220139 | Lower Hook – LH |
| 6 | 1 | 28088-0354 | Bracket – RH |
| 7 | 1 | 28087-0354 | Bracket – LH |
| 8 | 2 | 6104267 | Gas Spring |

| REF | QTY | PART NO. | DESCRIPTION | REF | QTY | PART NO. | DESCRIPTION |
|-----|-----|-----------|--------------------|-----|-----|----------|-----------------------|
| 9 | 1 | 220095 | Upper Hook – RH | 20 | 2 | 225345 | Bearing Retainer |
| 10 | 4 | 213011 | Ball Joint | 21 | 1 | 213899 | Bearing – RH |
| 11 | 4 | 766646 | Capscrew, M10 x 20 | 22 | 1 | 213899 | Bearing – LH |
| 12 | 4 | 212687 | Fork Stop | 23 | 4 | 213364 | Key |
| 13 | 8 | 769574 | Capscrew, M16 x 35 | 24 | 2 | 225345 | Bearing Retainer |
| 14 | 12 | 769578 | Capscrew, M16 x 60 | 25 | 6 | 212559 | Shim, .04 in. (1 mm) |
| 15 | 4 | 769577 | Capscrew, M16 x 50 | 26 | – | — | Shim, .02 in. (.5 mm) |
| 16 | 8 | 769574 | Capscrew, M16 x 35 | 27 | 4 | 787375 | Capscrew, M8 x 20 |
| 17 | 2 | 210587 | Spacer | 28 | – | — | Spacer |
| 18 | 8 | 214414 | Capscrew, M10 x 12 | 29 | 4 | 797610 | Spacer |
| 19 | 2 | 4501-0222 | Bearing Segment | 30 | 1 | 6101471 | Upper Hook – LH |

Reference: SK-6373, SK-6374, Common Parts Group 6105251.

Mounting Group ITA Class II & III



SD0224.iii

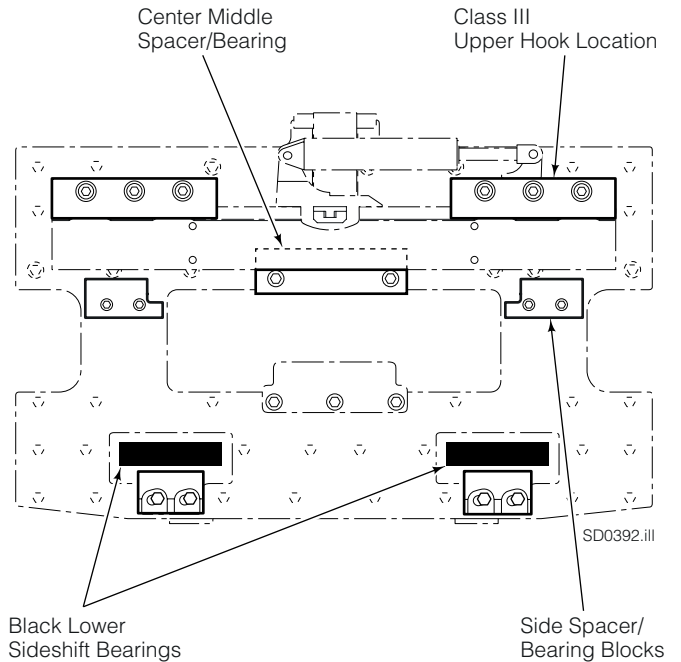
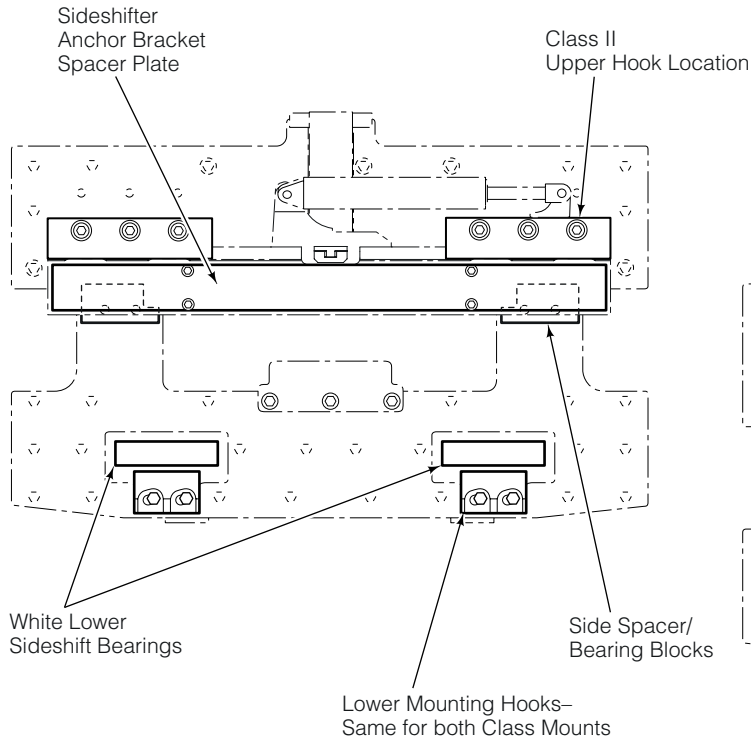
| 55E | | | |
|-----|-----|--------------------------|----------------------------|
| REF | QTY | ITA II & III PART NO. | DESCRIPTION |
| | | 6108969 | Upper Hook Group ▲ |
| | | 211175 | Bolt-On Lower Hook Group ● |
| 1 | 1 | 6108878 | Upper Hook - RH |
| 2 | 1 | 6108877 | Upper Hook - LH |
| 3 | 6 | 678996 | Cap screw, M16 x 60 |
| 4 | 2 | 7403 | Grease Fitting |
| 5 | 2 | 675969 | Lower Hook |
| 6 | 4 | 667225 | Washer |
| 7 | 4 | 751511 | Cap screw, M16 x 55 |

▲ Includes items 1 through 4.

● Includes items 5, 6 & 7.

Reference: SK-6373.

See Base Unit page for mounting components not shown in the list above.



SD0392.iii

Do you have questions you need answered right now? Call your nearest Cascade Service Department. Visit us online at www.cascorp.com

**Cascade Corporation
U.S. Headquarters**
2201 NE 201st
Fairview, OR 97024-9718
Tel: 800-CASCADE (227-2233)
FAX: 888-329-8207

Cascade Canada Inc.
5570 Timberlea Blvd.
Mississauga, Ontario
Canada L4W-4M6
Tel: 905-629-7777
FAX: 905-629-7785

Cascade GmbH
D-41199 Monchengladbach
Klosterhofweg 52
Germany
Tel: 49-216-668230
FAX: 49-216-6682323

Cascade Finland
Albert Petreliuksenkatu 3
01370 Vantaa
Finland
Tel: 358-9-836-1925
FAX: 358-9-836-1935

**Cascade N.V.
European Headquarters**
P.O. Box 3009
1300 El Almere
Damsluisweg 56
1332 ED Almere
The Netherlands
Tel: 31-36-5492911
FAX: 31-36-5492964

**Cascade N.V.
Benelux Sales and Service**
P.O. Box 3009
1300 El Almere
Damsluisweg 56
1332 ED Almere
The Netherlands
Tel: 31-36-5492950
FAX: 31-36-5492974

Cascade (UK) Ltd.
15, Orgreave Crescent
Dore House Industrial Estate
Handsworth
Sheffield S13 9NQ
England
Tel: 742-697524
FAX: 742-695121

Cascade Scandinavia AB
Box 124
Hammarvägen 10
567 23 Vaggeryd
Sweden
Tel: 42-0-393-36950
FAX: 42-0-393-36959

Cascade Norway
Østerliveien 37A
1153 Oslo
Norway
Tel: 47-22-743160
FAX: 47-22-743157

Cascade France S.A.R.L.
1D Rue De Charaintru
BP 18, 91360 Epinay-Sur-Orge
Morangis Cedex, France
Tel: 33-1-64547500
FAX: 33-1-64547501

Cascade Hispania S.A.
Carrer 5 Sector C
Zona Franca Duanera
Poligono de la Zon Franca
08040 Barcelona, Spain
Office No. 256
Tel: 93-264-07-30
FAX: 93-264-07-31

Cascade Japan Ltd.
5-5-41,
Torikai Kami
Settsu, Osaka
Japan, 566
Tel: 81-726-53-3490
FAX: 81-726-53-3497

Cascade Korea
108B, Namdong Ind Complex
658-3 Gojan-Dong
Namdong-Gu
Inchon, 405-310 Korea
Tel: 82-32-821-2051
FAX: 82-32-821-2055

Cascade Australia
1445 Ipswich Road
Rocklea, QLD 4106
Australia
Tel: 1-800227-223
FAX: (07) 3373-7333

Cascade New Zealand
15 Ra Ora Drive
East Tamaki, Auckland
New Zealand
Tel: 9-273-9136
FAX: 9-273-9137

Cascade (Africa) Pty. Ltd.
P.O. Box 625, Isando 1600
60A Steel Road
Sparton, Kempton Park
South Africa
Tel: 975-9240
FAX: 394-1147

Cascade-Xiamen
No. 668 Yangguant Rd.
Xinyang Industry Zone
Haicant, Xiamen City
Fujian Province
P.R. China 361026
Tel: 86-592-651-2500
FAX: 86-592-651-2571

**Cascade (Singapore)
Trading Co.**
Four Seasons Park
Autumn Block - Apt. 1802
12 Cuscaden Walk
Singapore
Tel: 65-834-1935
FAX: 65-834-1936

