



# Parts Manual

---

Model \_\_\_\_\_ Fork Positioner \_\_\_\_\_

Serial Number \_\_\_\_\_ 55K-IFS-A118 R0 \_\_\_\_\_

---

**cascade**®  
**corporation**

**For Technical Assistance call:** 800-227-2233, Fax: 888-329-8207

**To Order Parts call:** 888-227-2233, Fax: 888-329-0234

**OR**

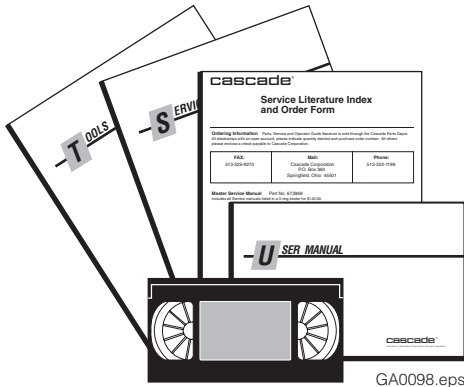
**Write:** Cascade Corporation, P.O. Box 20187, Portland, OR 97220

**Internet:** [www.cascorp.com](http://www.cascorp.com)



# Recommended Spare Parts & Publications

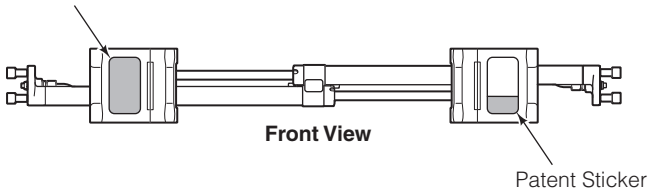
K-Series Integral Fork Positioner				
PART NUMBER	DESCRIPTION	ATTACHMENTS SERVICED		
		1-5	6-19	20-50
	<b>FORK POSITIONER</b>			
6055389	Cylinder Internal Service Kit	0	4	8
6055390	Composite Bearing Service Kit	1	2	4
6055391	Bronze Bearing Service Kit	1	2	4
6039245	Mounting Shims	4	6	8



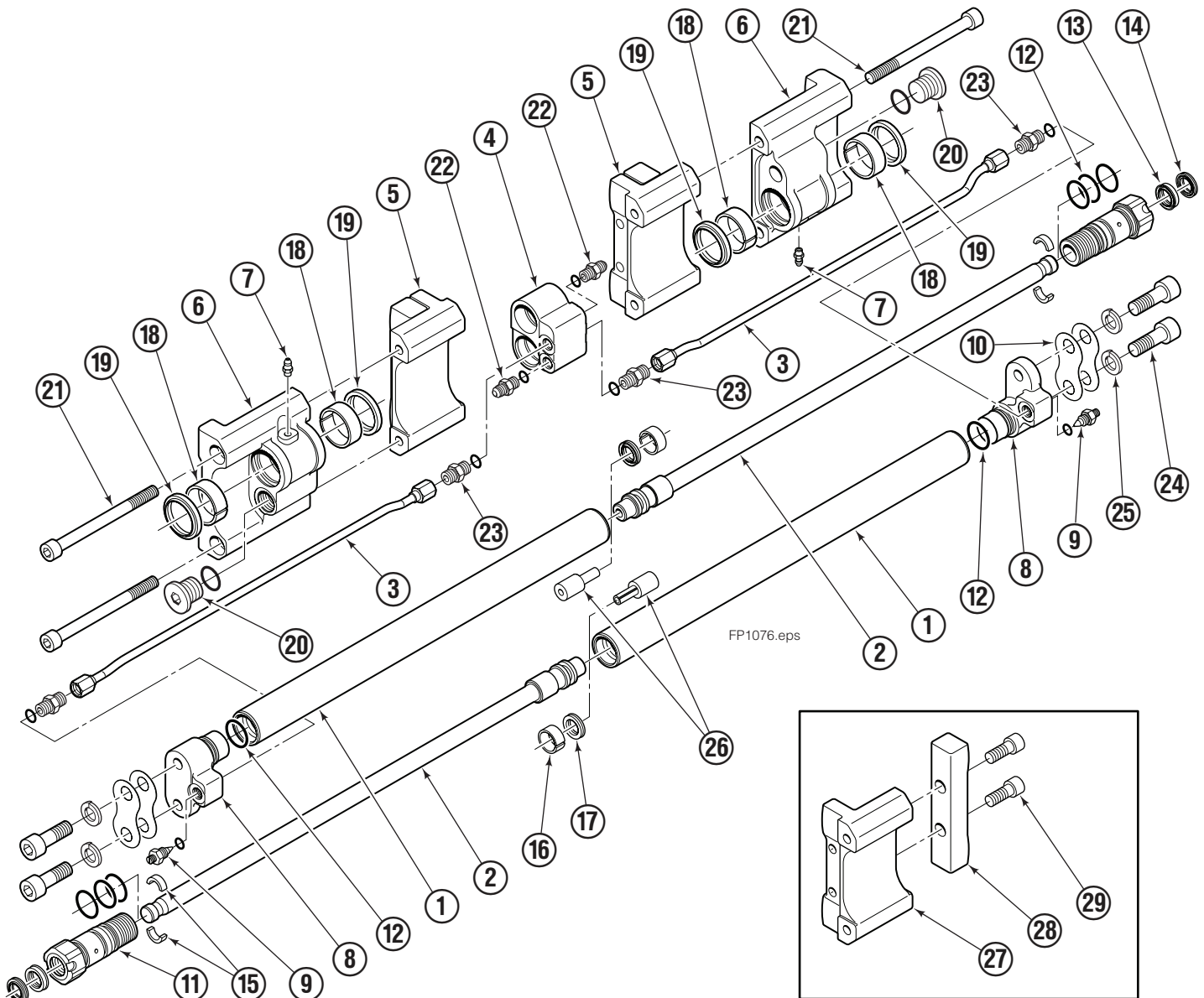
K-Series Integral FP	
6045671	User Manual (Operator's Guide, Installation, Periodic Maintenance, Parts)
6053927	Service Manual
679929	Tool Catalog
673964	Literature Index Order Form

# Fork Positioner Assembly

Sticker showing operating pressure,  
phone numbers for service & parts.



Assembly part number (on LH fork carrier).



# Fork Positioner Assembly

55K			
REF	QTY	PART NO.	DESCRIPTION
		6228273	Fork Positioner Assembly
1	2	6045839	Cylinder Shell ▲
2	2	6045841	Cylinder Rod ▲
3	2	6045850	Tube
4	1	6043391	Manifold
5	2	6052316	Fork Carrier, Inner, 100/122 mm Fork *
6	2	6042449	Fork Carrier, Outer
7	2	424115	Grease Fitting
8	2	6052709	Cylinder Head End
9	2	6042658	Restrictor Fitting
10	4	6039245	Shim
11	2	6039028	Cylinder Retainer
	2	6055787	Cylinder Retainer w/Seals ◆
12	8	666183	O-Ring, Retainer OD ✖
13	2	6039179	Rod Seal, Retainer ✖
14	2	6039180	Rod Wiper, Retainer ✖
15	4	6042830	Half-Ring Keeper
16	2	6039172	Piston Wear Ring ✖
17	2	6047577	Piston Seal ✖
18	4	6039171	Bearing, Composite ★
19	4	6043341	Shell Wiper ★
20	2	6043316	Rod Retainer Plug
21	4	768824	Capscrew, M10 x 120
22	4	6042689	Fitting, M10 to 6 mm EO-2
23	2	6043332	Fitting, M10 to No.4 JIC ●
24	4	769572	Capscrew, M12 x 35 ■
25	4	684660	Lockwasher, M12 ■
26	2	6055038	Spacer
27	1	6052301	Fork Carrier
28	1	6052315	Spacer Bar
29	2	767615	Capscrew, M12 x 25

▲ If cylinder shell or rod needs replacing due to bending damage, order complete Fork Positioner Assembly.

\* Includes items 27-29.

◆ Includes items 12-14.

✖ Included in Cylinder Service Kit 6055389.

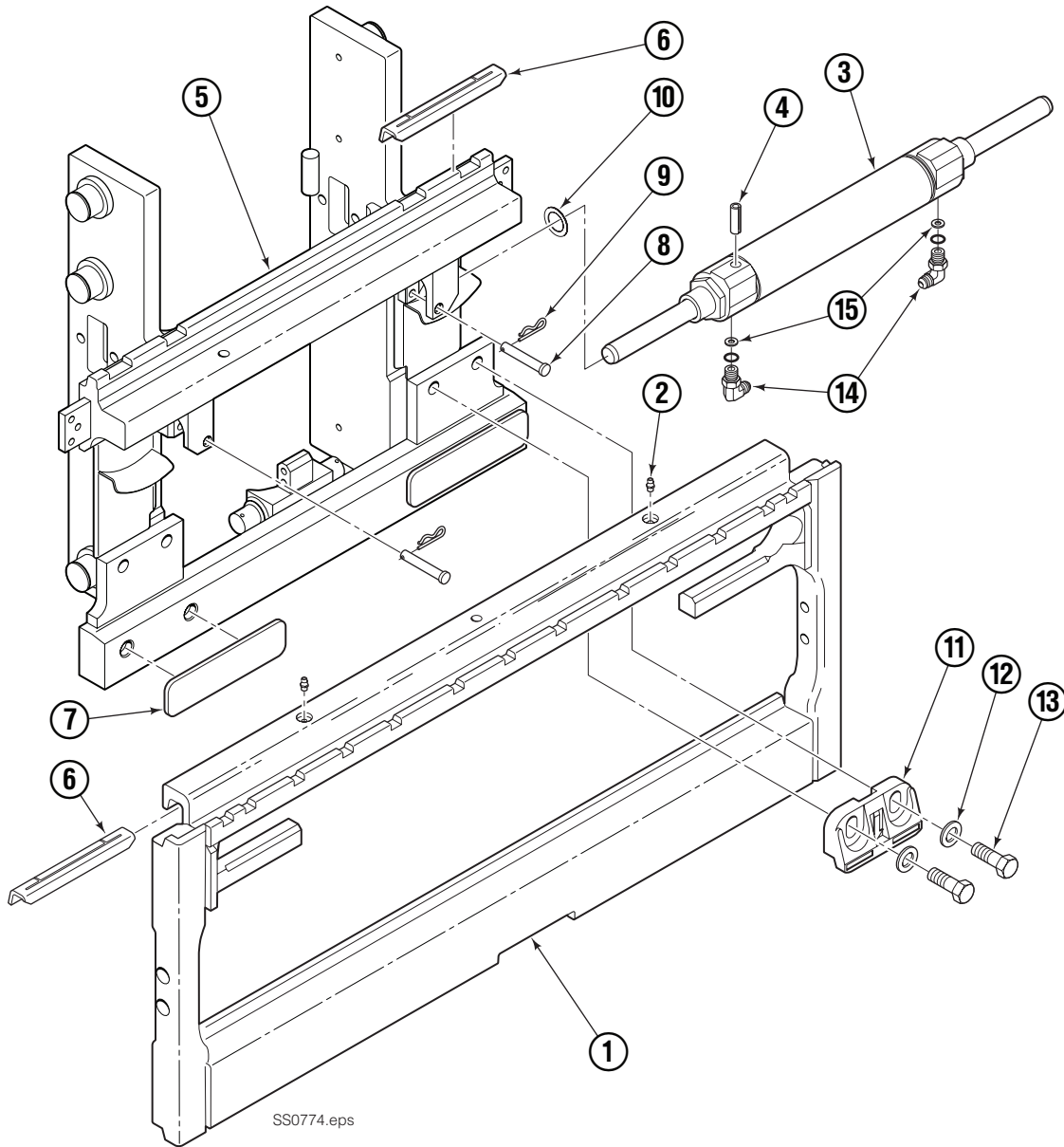
★ Included in Composite Bearing Service Kit 6055390.

● Included in Fitting Group 6045440.

■ Included in Mounting Kit 6045442.

Reference: Common Parts 6045408, SK-8277.

# Integral Sideshifter



55K							
REF	QTY	PART NO.	DESCRIPTION	REF	QTY	PART NO.	DESCRIPTION
1	1	6073526	Outer Frame	9	2	6022929	Cotter Pin
2	2	651853	Grease Fitting	10	3	6016591	Shim
3	1	6020048	Cylinder ▲	11	2	8508373	● Lower Hook
4	1	769050	Roll Pin	12	4	667225	● Washer
5	1	6075916	Inner Carriage	13	4	684295	● Capscrew, M16 x 35
6	2	8508374	Upper Bearing	14	2	666984	Fitting, 4-6 ■
7	2	8508376	Lower Bearing	15	2	221733	Restrictor Washer ◆
8	2	6016592	Clevis Pin				

▲ See Cylinder page for parts breakdown.

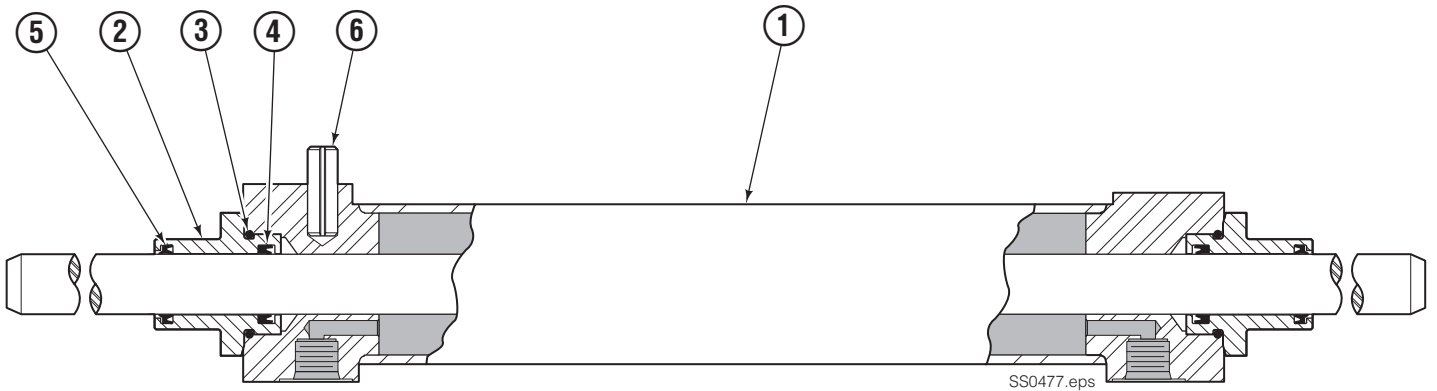
● Included in Lower Hook Group 6018267.

Reference: Common Parts 6018712, S-23146, S-22874 Type 1.

■ Included in Fitting Group 205747.

◆ Included in Restrictor Washer Group 221732.

# Cylinder Assembly

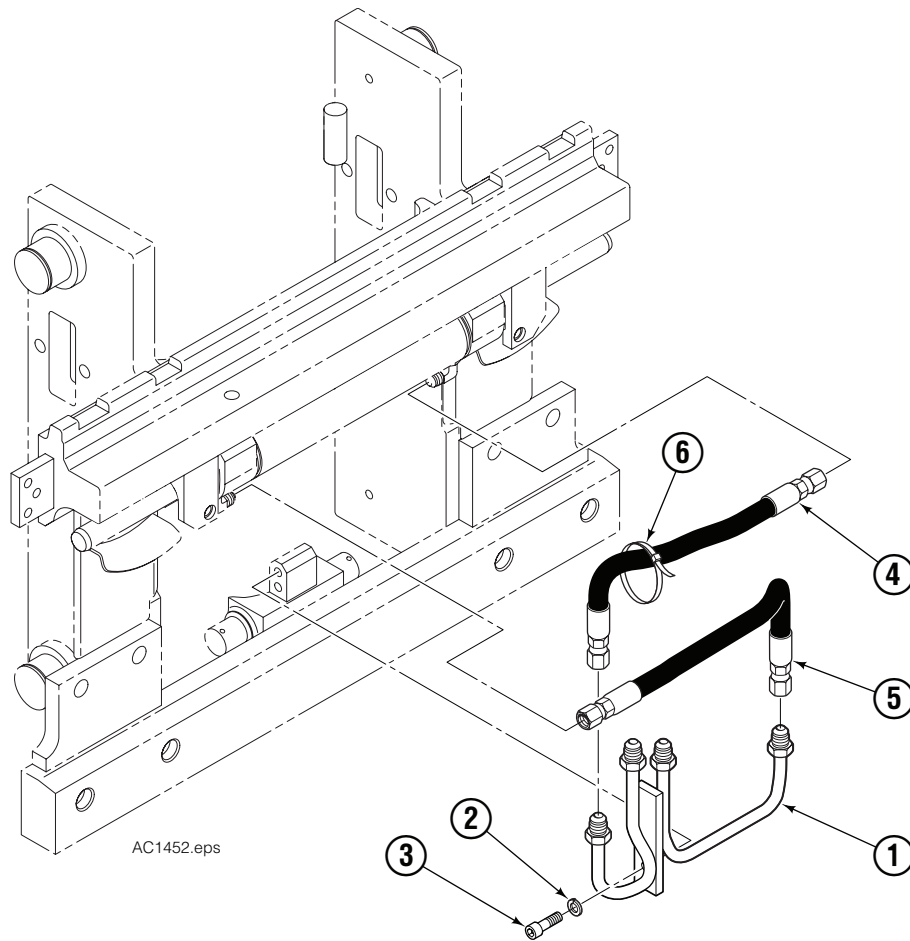


SS0477.eps

REF	QTY	PART NO.	DESCRIPTION
		6020048	Cylinder Assembly
1	1	S-21144	Cylinder Weldment ◆
2	2	6016571	● Threaded Retainer
3	2	415866	● O-Ring
4	2	562131	● Seal Wiper
5	2	562132	● Seal
6	1	769050	Roll Pin

- ◆ Not serviceable.  
Order complete cylinder if replacement needed.
- Included in Retainer Assembly 6017490.  
Reference: S-21145.

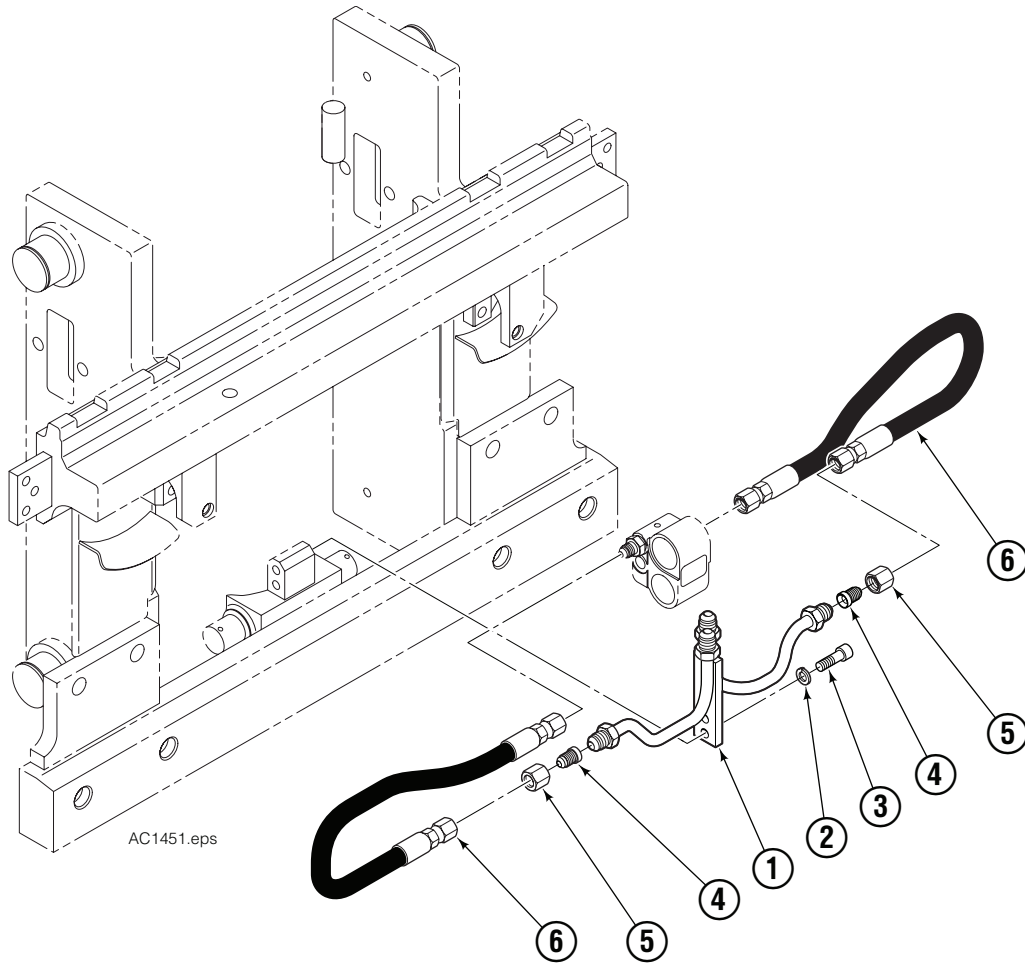
# Installation Kit Toyota



## 55K

REF	QTY	PART NO.	DESCRIPTION
		6075576	Installation Kit
1	1	6075577	Tube Weldment
2	2	787384	Lockwasher, M8
3	2	768208	Capscrew, M8 x 25
4	1	6075420	Hose
5	1	6073276	Hose
6	2	200343	Cable Tie

# Installation Kit Toyota

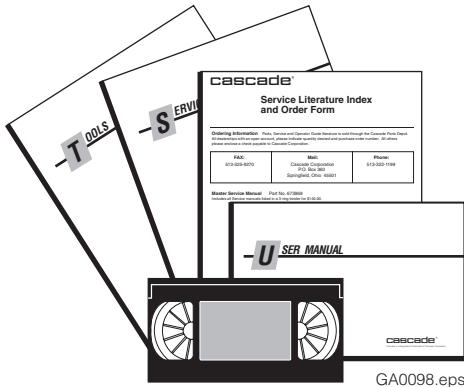


55K			
REF	QTY	PART NO.	DESCRIPTION
		6075603	Installation Kit
1	1	6075604	Tube Weldment
2	2	787384	Lockwasher, M8
3	2	768208	Capscrew, M8 x 25
4	2	2669	Fitting, 6-4
5	2	2617	Nut, 6
6	2	6050405	Hose

# Recommended Spare Parts & Publications

C-Series Integral Sideshifter				
PART NUMBER	DESCRIPTION	ATTACHMENTS SERVICED		
		1-5	6-19	20-50
<ul style="list-style-type: none"> <li>■</li> <li>■</li> <li>■</li> <li>684295</li> <li>667225</li> </ul>	<b>BASE UNIT AND MOUNTING</b>			
	Upper Bearing, Composite	8	16	32
	Lower Bearing, Composite	6	12	24
	Lower Hook	0	2	4
	Capscrew, M16 x 2	0	4	8
	Washer, HD, M16	0	4	8
<ul style="list-style-type: none"> <li>■</li> <li>6019928</li> </ul>	<b>CYLINDER</b>			
	Cylinder Assembly	0	0	1
	Cylinder Service Kit	4	5	7

■ See specific parts page for part number.



GA0098.eps

C-Series Integral SS	
6014809	User Manual (Operator's Guide, Installation, Periodic Maintenance, Parts)
6020275	Service Manual
679929	Tool Catalog
673964	Literature Index Order Form



**Do you have questions you need answered right now?** Call your nearest Cascade Parts Department. Visit us online at [www.cascorp.com](http://www.cascorp.com)

**Cascade Corporation  
U.S. Headquarters**  
2201 NE 201st  
Fairview, OR 97024-9718  
Tel: 800-CASCADE (227-2233)  
FAX: 888-329-8207

**Cascade Canada Inc.**  
5570 Timberlea Blvd.  
Mississauga, Ontario  
Canada L4W-4M6  
Tel: 905-629-7777  
FAX: 905-629-7785

**Cascade GmbH**  
Niederwippekühl 1  
58579 Schalksmühle  
Germany  
Tel: 02355-50900  
FAX: 02355-509020

**Cascade Finland**  
A. Petreliuksenkatu 3  
01370 Vantaa  
Finland  
Tel: 09-8361925  
FAX: 09-8361935

**Cascade N.V.  
Benelux Sales and Service**  
Damsluisweg 56  
PO Box 3009  
1300 El Almere  
The Netherlands  
Tel: 036-5492950  
FAX: 036-5492974

**Cascade (UK) Ltd.**  
Unit 4, 12 O'Clock Court  
Attercliffe Road  
Sheffield, S4 7WW  
England  
Tel: 0870-850-8756  
FAX: 0870-850-8757

**Sales Scotland  
Macade Systems Ltd.**  
18 Melford Road  
Righead Ind. Estate  
Bellshill ML4 3LR  
Scotland  
Tel: 01698-845777  
FAX: 01698-845888

**Cascade (Africa) Pty. Ltd.**  
PO Box 625, Isando 1600  
60A Steel Road  
Sparton, Kempton Park  
South Africa  
Tel: 27-11-975-9240  
FAX: 27-11-394-1147

**Cascade Scandinavia AB**  
Hammarvägen 10  
PO Box 124  
S-56723 Vaggeryd  
Sweden  
Tel: 039-336950  
FAX: 039-336959

**Cascade France  
S.A.R.L. MHP**  
1D Rue De Charaintru BP 18,  
91360 Epinay-Sur-Orge  
France  
Tel: 01-6454-7500  
FAX: 01-6454-7501

**Cascade Hispania S.A.**  
Carrer 5, Sector C  
Zona Franca Duanera  
Poligono de la Zona Franca  
08040 Barcelona, Spain  
Tel: 93-264-07-30  
FAX: 93-264-07-31

**Cascade Italia S.R.L.**  
Via Dell'Artigianato 1  
37050 Vago di Lavagno (VR)  
Italy  
Tel: 39-045-8989111  
FAX: 39-045-8989160

**Movimenta Lda.**  
Parque Industrial  
Vale do Alecrim, Lote 108  
2950-403 Palmela  
Portugal  
Tel: 351-212387340  
FAX: 351-212387349

**Sales Switzerland  
Fahrzeugbedarf**  
8810, Horgen  
Switzerland  
Tel: 01-7279797  
FAX: 01-7279798

**Sales Poland**  
Targowa 35/61  
03-728 Warszawa  
Tel: 022-619 00 49  
FAX: 022-619 00 49  
Mobile Tel: 0501-27 29 55

**Sales Russia**  
EMCG Material Handling  
Equipment  
Moscow  
Tel: 095-795-2400  
FAX: 095-795-2475  
Email: [emcg@emcg.ru](mailto:emcg@emcg.ru)

**Cascade Japan Ltd.**  
5-5-41,  
Torikai Kami  
Settsu, Osaka  
Japan, 566  
Tel: 81-726-53-3490  
FAX: 81-726-53-3497

**Cascade Korea**  
121B 9L Namdong Ind.  
Complex, 691-8 Gojan-Dong  
Namdong-Ku  
Inchon, 405-310 Korea  
Tel: 82-32-821-2051  
FAX: 82-32-821-2055

**Cascade Australia**  
1445 Ipswich Road  
Rocklea, QLD 4107  
Australia  
Tel: 1-800-227-223  
FAX: 617-3373-7333

**Cascade New Zealand**  
15 Ra Ora Drive  
East Tamaki, Auckland  
New Zealand  
Tel: 64-9-273-9136  
FAX: 64-9-273-9137

**Cascade-Xiamen**  
No. 668 Yangguang Rd.  
Xinyang Industrial Zone  
Haicang, Xiamen City  
Fujian Province  
P.R. China 361026  
Tel: 86-592-651-2500  
FAX: 86-592-651-2571

**Sunstream Industries  
Pte Ltd.**  
No. 3 Tuas Link 1  
2263  
Singapore  
Tel: 65-6863-3488  
FAX: 65-6863-1368

**Cascade do Brasil  
Distribuidora de Garras  
e Garfos LTDA**  
Av. General Valdomiro  
de Lima 43  
Jabaquara - Sao Paulo - S.P.  
Brasil CEP 04344-070  
Tel: 55-11-5016-2484  
Fax: 55-11-5013-2809

