



# Parts Manual

---

Model Single-Double Pallet Handler

Serial Number 50D-ES-216

---

**cascade**<sup>®</sup>

For Technical Assistance and to Order Parts . . .

Call: 1-800-CASCADE or 503-669-6300

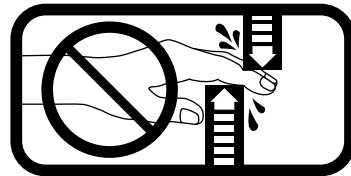
OR

Write: Cascade Corporation, P.O. Box 20187, Portland, OR 97220

# Safety Decals

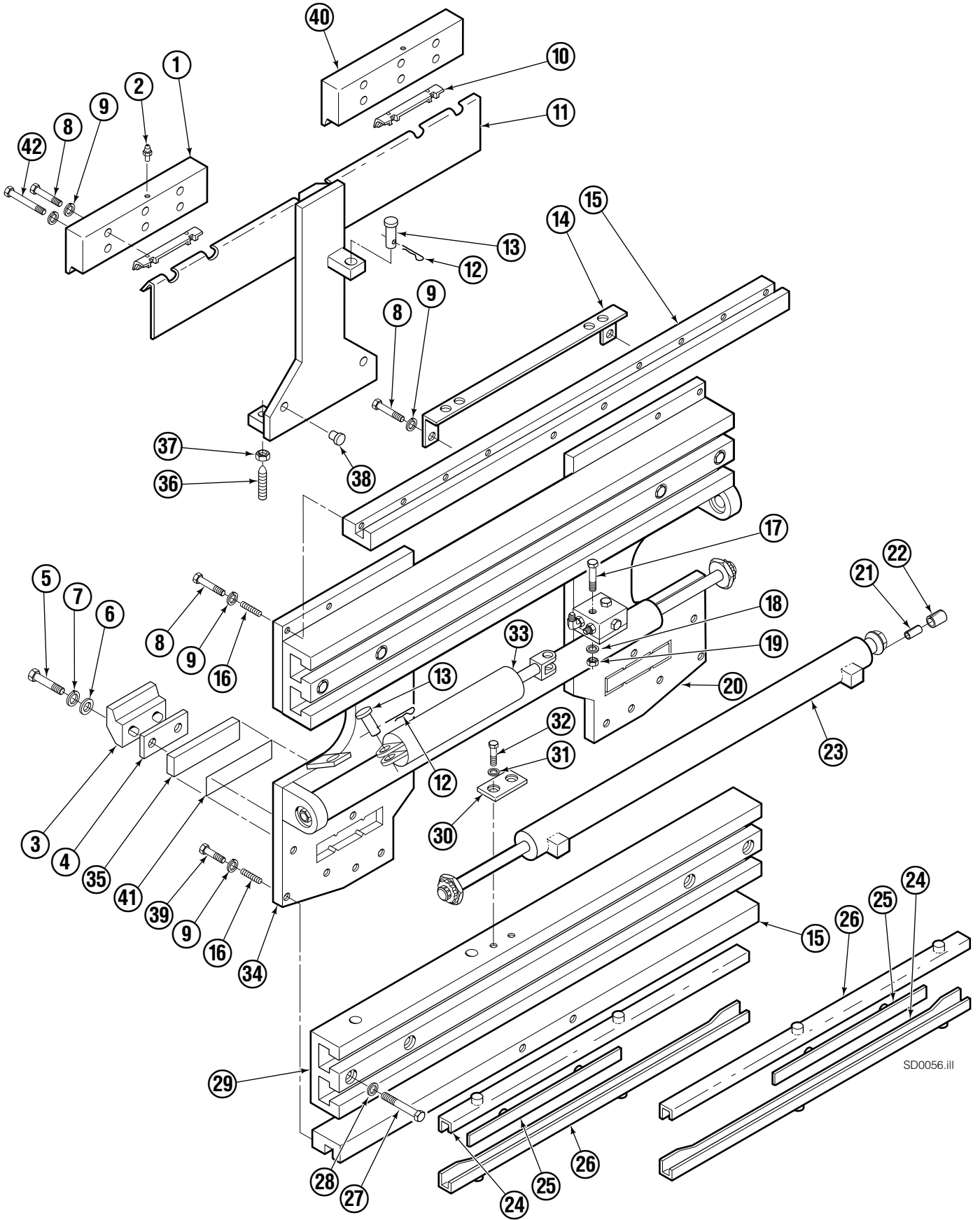


Part No. 679150  
(1 Place & 1 Optional)



Part No. 665595  
(2 Place & 2 Optional)

# Base Unit and Mounting ITA Class III



SD0056.iii

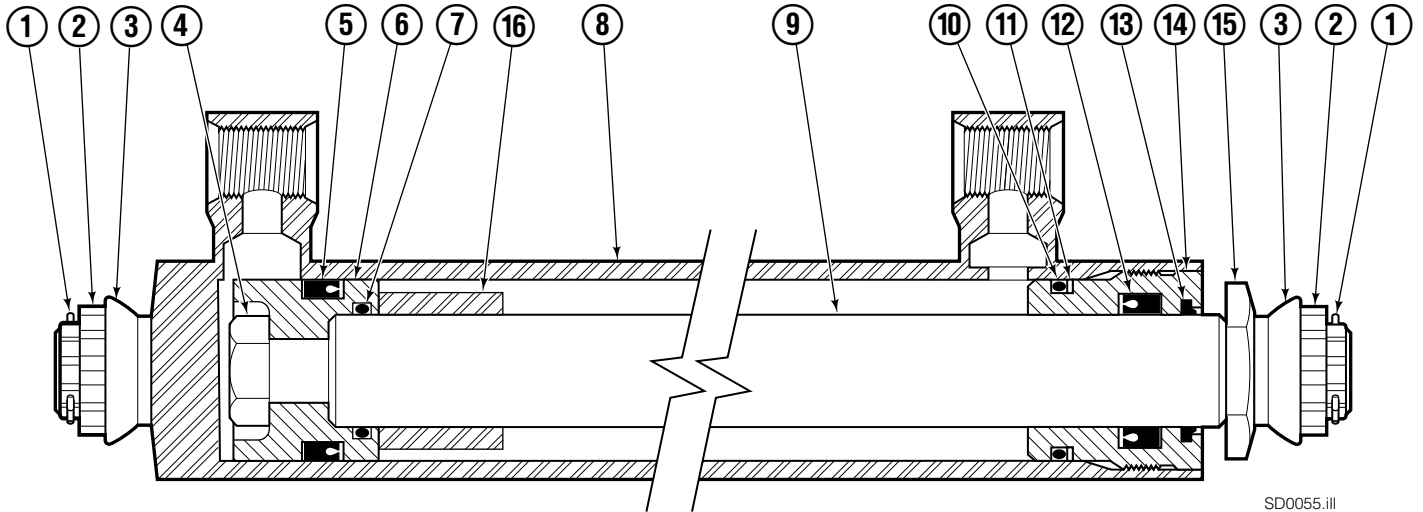
# Base Unit and Mounting ITA Class III

<b>50D</b>							
<b>REF</b>	<b>QTY</b>	<b>PART NO.</b>	<b>DESCRIPTION</b>	<b>REF</b>	<b>QTY</b>	<b>PART NO.</b>	<b>DESCRIPTION</b>
		376257	Base Unit Group	21	2	7962	Roll Pin
		375155	Common Parts Group	22	2	7861	Roll Pin
		204276	Mounting Group	■23	2	204200	Cylinder
1	1	204265	Upper Hook–RH	24	4	208857	Bearing
2	4	7403	Grease Fitting	25	4	208858	Bearing
3	2	675969	Lower Hook	26	4	667663	Bearing
4	2	204273	Spacer	27	8	667909	Capscrew, 1/2NCx3.0
5	4	667808	Capscrew, 5/8NCx2.0 GR8	28	8	667910	Washer
6	4	667225	Washer	29	2	204255	Frame
7	4	6292	Lockwasher	30	2	376647	Stop
8	20	643539	Capscrew, 1/2NCx1.75 GR8	31	4	6288	Lockwasher, 3/8
9	30	6290	Lockwasher, 1/2	32	4	643524	Capscrew, 3/8NCx.75 GR8
10	2	672018	Bearing	◆33	1	675548	Sideshift Cylinder
11	1	204266	Anchor	34	1	376258	Mounting Plate–RH
12	2	672726	Cotter Pin	35	2	204212	Lower Bearing
13	2	678525	Pin	36	2	5027	Setscrew
14	1	205227	Bracket	37	2	5932	Nut
15	2	205222	Channel	38	2	200761	Thrust Plug
16	4	205324	Spring Pin	39	6	643538	Capscrew, 1/2NCx1.50 GR8
17	2	3559	Capscrew, 1/4NCx2.0 GR5	40	1	204267	Upper Hook–LH
18	2	6201	Washer, 1/4	41	2	204274	Strip
19	2	6097	Nut	42	4	643542	Capscrew, 1/2NCx2.75 GR8
20	1	376259	Mounting Plate–LH				

■ See Cylinder page for parts breakdown.

◆ See Sideshift Cylinder page for parts breakdown.

# Cylinder

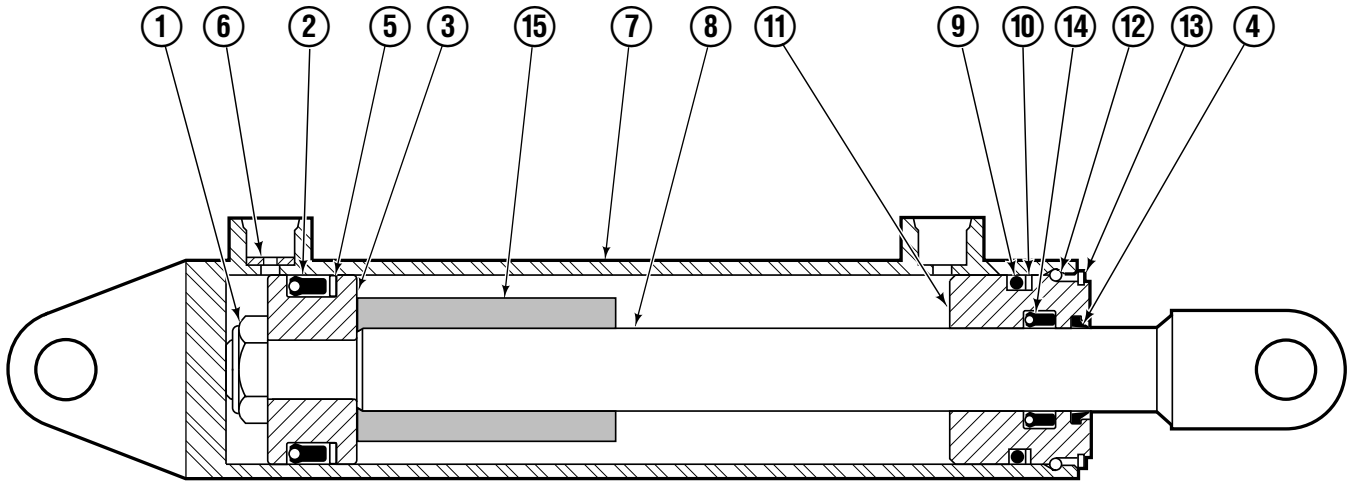


SD0055.iii

<b>50D</b>			
REF	QTY	PART NO.	DESCRIPTION
		204200	Cylinder Assembly
1	2	6510	Cotter Pin
2	2	667624	Retainer
3	2	667625	Nut
4	1	667623	Nut
■ 5	1	557598	Seal
6	1	559702	Piston
■ 7	1	2716	O-Ring
8	1	559662	Shell
9	1	416991	Rod
■ 10	1	2722	O-Ring
■ 11	1	615126	Back-up Ring
■ 12	1	662448	Seal
■ 13	1	636853	Wiper
14	1	413799	Retainer
15	1	667626	Washer
16	1	---	Spacer
		560729	Service Kit

■ Included in Service Kit 560729.

# Sideshift Cylinder

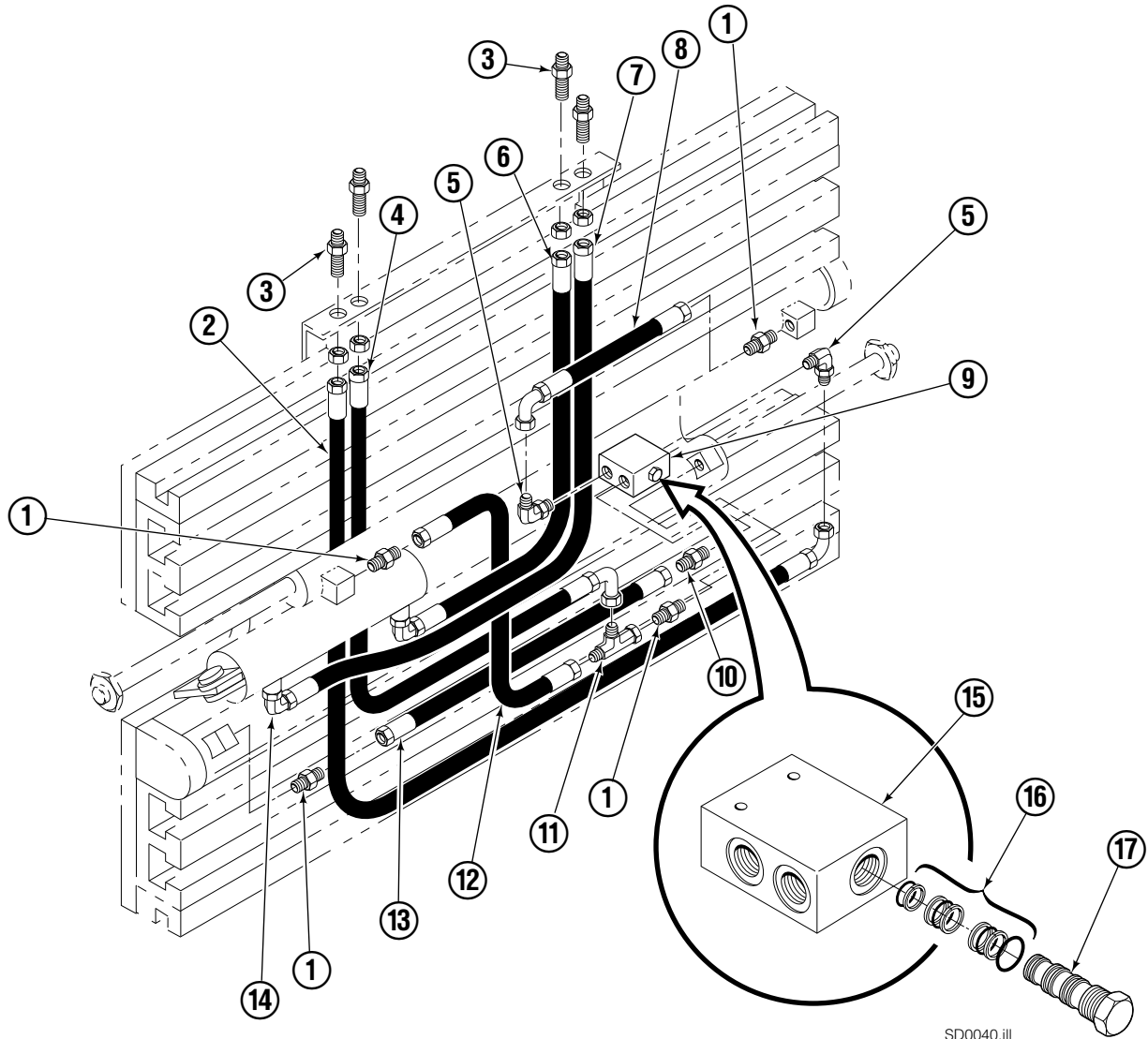


FP0079.ill

REF	QTY	PART NO.	DESCRIPTION
		675548	Cylinder Assembly
1	1	553857	Nut
■ 2	1	662452	Seal
3	1	553501	Piston
■ 4	1	636851	Wiper
■ 5	1	638247	Back-up Ring
6	1	675550	Washer (orifice .085)
7	1	675549	Shell
8	1	553449	Rod
■ 9	1	2785	O-Ring
■ 10	1	615128	Back-up Ring
11	1	553500	Retainer
12	1	553856	Retaining Ring
13	1	7202	Snap Ring
■ 14	1	641835	Seal
15	1	---	Spacer
		553861	Service Kit

■ Included in Service Kit 553861.

# Hydraulics



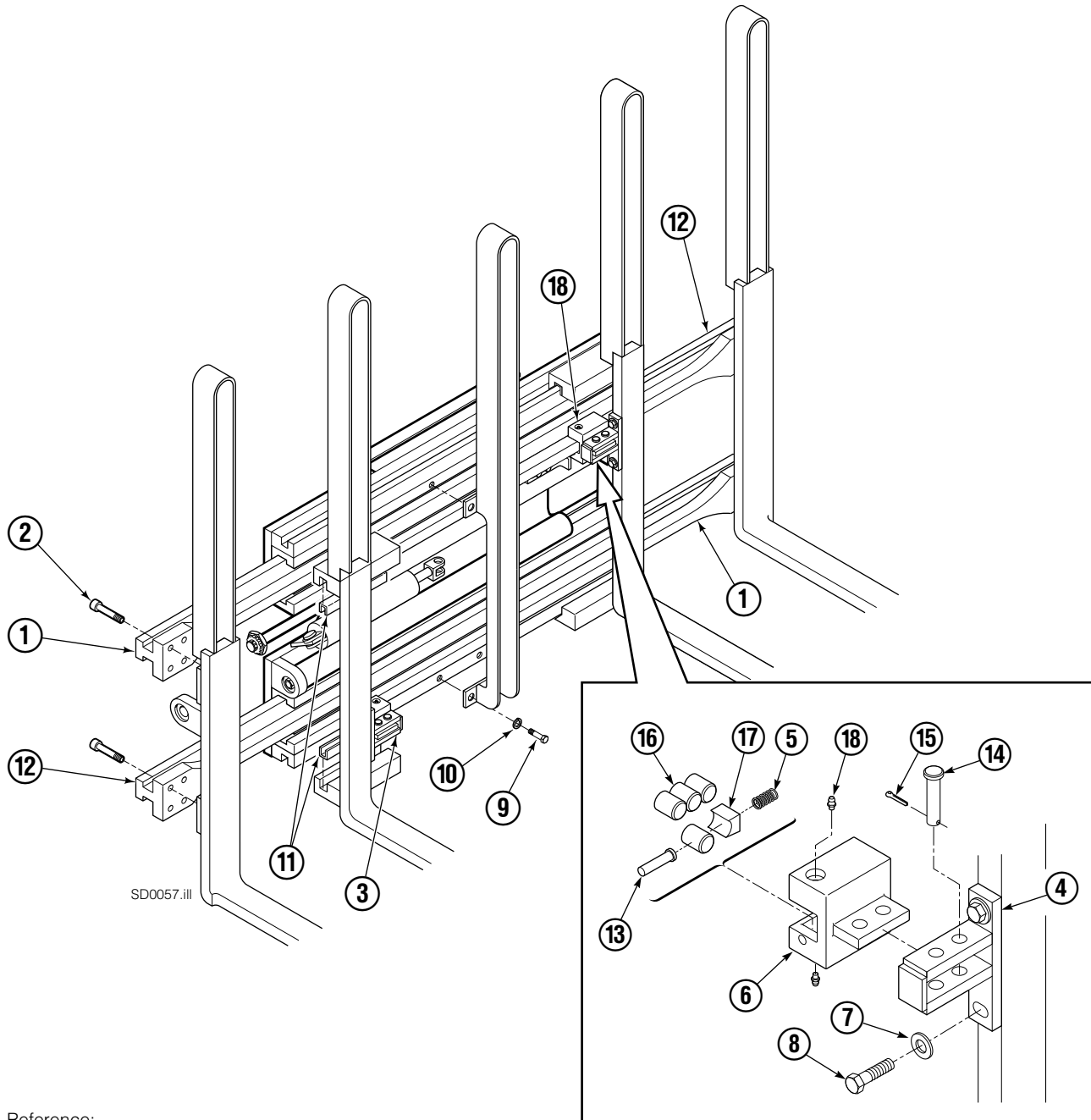
SD0040.ill

50D			
REF	QTY	PART NO.	DESCRIPTION
1	4	611288	Fitting, 6-8
2	1	205226	Hose
3	4	2375	Fitting, 6-6
4	1	205246	Hose
5	2	601676	Fitting, 6-6
6	1	205224	Hose
7	1	205223	Hose
8	1	375156	Hose
■ 9	1	204223	Valve Assembly
10	2	604511	Fitting, 6-6
11	1	611329	Fitting, 6-6
12	1	204224	Hose
13	1	676085	Hose
14	2	666984	Fitting, 4-6
15	1	204222	Valve Body
16	1	204951	Service Kit
17	1	201527	Valve Cartridge

■ Includes items 15-17.

Reference:  
376257 Base Unit Group  
375155 Common Parts Group

# Arm Group

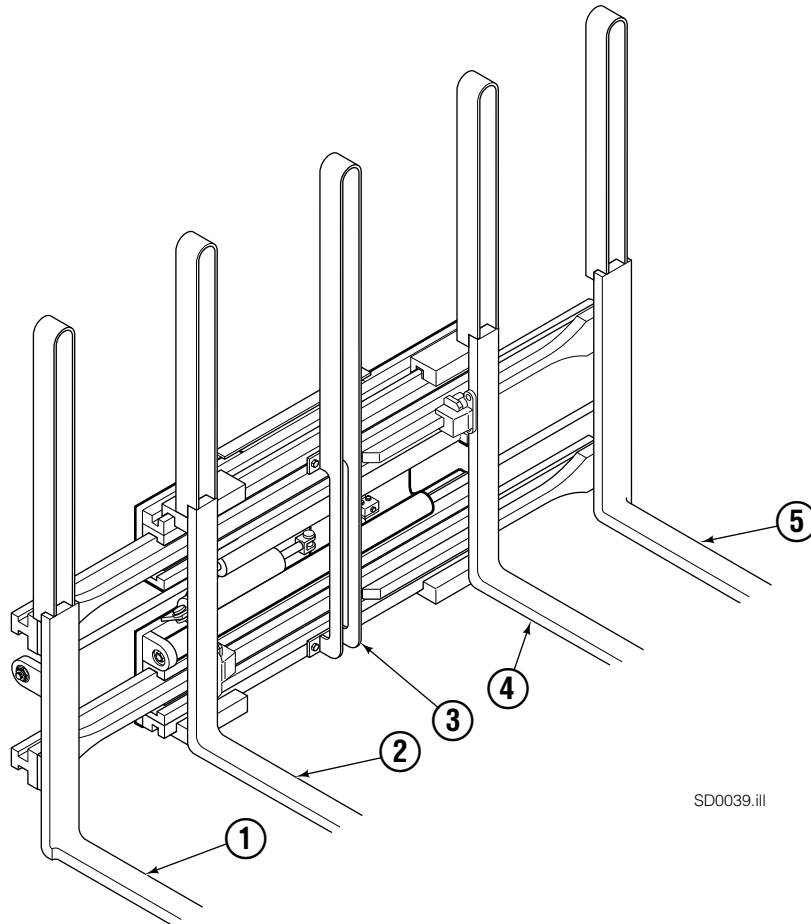


Reference:  
 376257 Base Unit Group  
 375155 Common Parts Group

50D							
REF	QTY	PART NO.	DESCRIPTION	REF	QTY	PART NO.	DESCRIPTION
		379037	Arm Group	9	4	633801	Capscrew
1	2	375137	Arm Bar	10	4	6290	Washer
2	16	607103	Capscrew, 3/4NCx1.50 GR8	11	4	209654	Bearing
3	2	209429	Roller Assembly	12	2	379038	Arm Bar
■ 4	1	209410	Anchor Plate	■ 13	1	209433	Pin
■ 5	1	211729	Spring	■ 14	2	674265	Clevis Pin
■ 6	1	209414	Housing	■ 15	2	6524	Cotter Pin
7	4	6455	Washer	■ 16	4	209430	Rod-Roller
8	4	4506	Capscrew	■ 17	1	209431	Spring Keeper

■ Included in Roller Assembly (Item 3).

# Fork and Backrest Group Loop Backrest

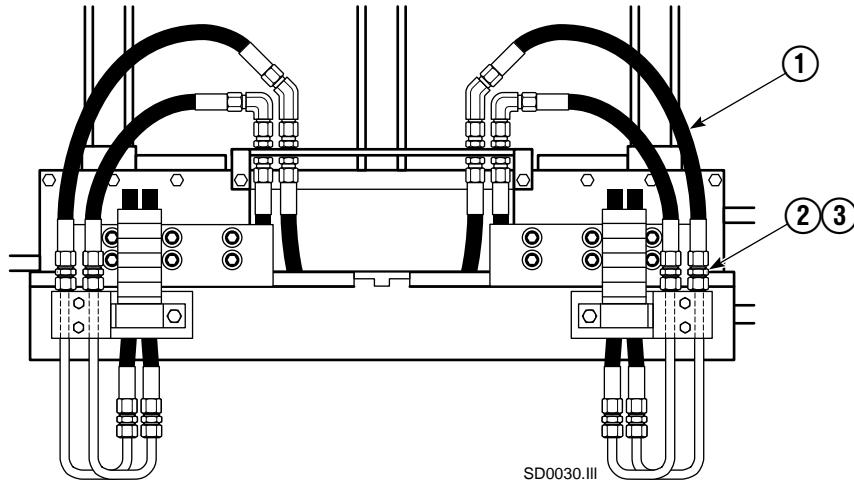


SD0039.ill

50D			
REF	QTY	42"x 48"■ PART NO.	DESCRIPTION
		376248	Fork and Backrest Group
1	1	376255	Outer Fork-RH
2	1	376251	Inner Fork-RH
3	1	204260	Center Backrest
4	1	376249	Inner Fork-LH
5	1	376253	Outer Fork-LH

■ Fork length x backrest height.

# Installation Kit



REF	QTY	PART NO.	DESCRIPTION
		205854	Installation Kit
1	4	2161	Hose
2	4	2347	Fitting, 6-6
3	4	674294	Fitting, 6-8

**Do you have questions you need answered right now?** Call your nearest Cascade Parts Department.

**Cascade Corporation**

2201 NE 201st  
Troutdale, OR 97060  
Tel: 1-800-CAS-CADE  
503-669-6300  
FAX: 503-669-6338

**Cascade Canada Inc.**

5570 Timberlea Blvd.  
Mississauga, Ontario  
Canada L4W-4M6  
Tel: 905-629-7777  
FAX: 905-629-7785

**Cascade GmbH**

D-41199 Monchengladbach  
Klosterhofweg 52  
Germany  
Tel: 21-66-602091  
FAX: 21-66-680947

**Cascade N.V.**

Kirkkokatu 1  
48100 Kotka  
Finland  
Tel: 52-184393  
FAX: 52-184833

**Cascade N.V.  
European Headquarters**

P.O. Box 3009  
1300 El Almere  
Damsluisweg 56  
1332 ED Almere  
The Netherlands  
Tel: 31-36-5492911  
FAX: 31-36-5492964

**Cascade N.V.  
Benelux Sales and Service**

P.O. Box 3009  
1300 El Almere  
Damsluisweg 56  
1332 ED Almere  
The Netherlands  
Tel: 31-36-5492950  
FAX: 31-36-5492974

**Cascade (UK) Ltd.**

15, Orgreave Crescent  
Dore House Industrial Estate  
Handsworth  
Sheffield S13 9NQ  
England  
Tel: 742-697524  
FAX: 742-695121

**Cascade Scandinavia  
Hydraulik A.B.**

Muskötgatan 19, E8-9  
S25466 Helsingborg  
Sweden  
Tel: 42-151135  
FAX: 42-152997

**Cascade France S.A.R.L.**

11, Rue Jean Charcot  
Zone Industrielle Sud or  
B.P. 22  
91421 Morangis Cedex  
France  
Tel: 1- 64547500  
FAX: 1-64547501

**Cascade Hispania S.A.**

Avenida De La Fabregada, 7  
Hospitalet De Llobregat  
Barcelona  
Spain  
Tel: 3-335-5158  
FAX: 3-335-4756

**Cascade Japan Ltd.**

5-5-41,  
Torikai Kami  
Settsu, Osaka  
Japan, 566  
Tel: 81-726-53-3490  
FAX: 81-726-53-3497

**Cascade Korea**

Room 508, Pum Yang Bldg.  
750-14, Bang Bac-Dong  
Se-Cho Ku, Seoul  
Korea  
Tel: 2599-7131 ext. 512  
FAX: 2533-8089

**HYCO-Cascade Pty. Ltd.**

87 Antimony Street  
Carole Park,  
Brisbane 4300  
Australia  
Tel: 7-271-1966  
FAX: 7-271-3830

**HYCO-Cascade (NZ) Ltd.**

23 Haseler Crescent  
P.O. Box 38-440  
Howick, Auckland  
New Zealand  
Tel: 9-273-9136  
FAX: 9-273-9137

**Cascade (Africa) Pty. Ltd.**

P.O. Box 625, Isando 1600  
60A Steel Road  
Sparton, Kempton Park  
South Africa  
Tel: 975-9240  
FAX: 394-1147

**Cascade-Xiamen**

Wanshan No. 1 Workshop  
Huli Road  
Xiamen 361006  
Fujian, PRC  
Tel: 592-562-4600  
FAX: 592-562-4671

**Sunstream Industries**

**PTE Ltd.**

No. 3 Tuas Link 1  
Singapore 2263  
Tel: 863-3488  
FAX: 863-1368

