



Parts Manual

Model Single-Double Pallet Handler

Serial Number 55E-FDS-1552

cascade[®]
corporation

For Technical Assistance call: 800-227-2233, Fax: 888-329-8207

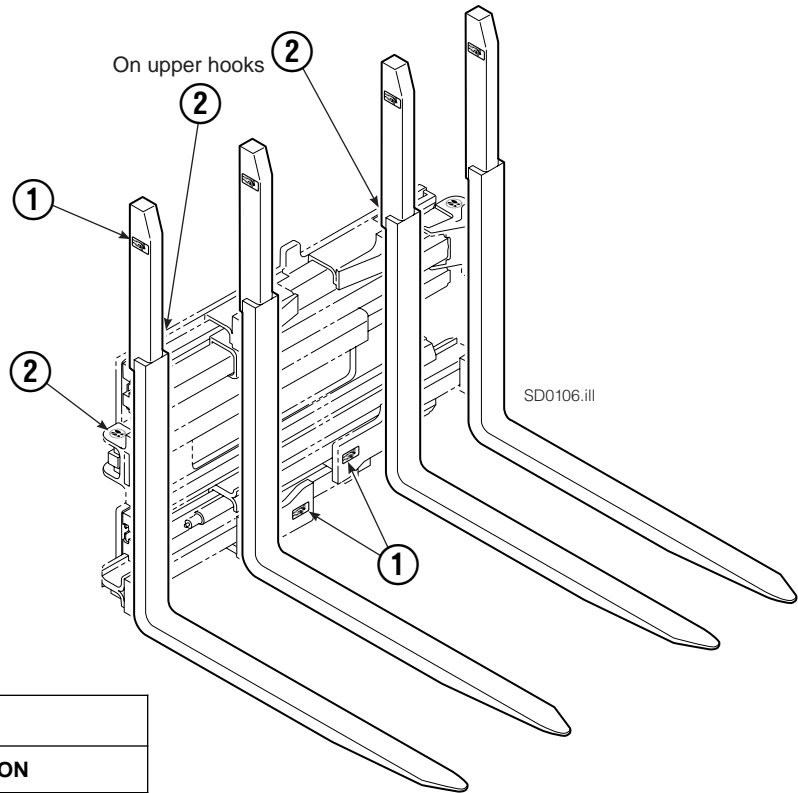
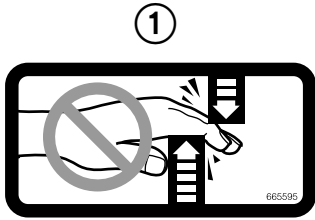
To Order Parts call: 888-227-2233, Fax: 888-329-0234

OR

Write: Cascade Corporation, P.O. Box 20187, Portland, OR 97220

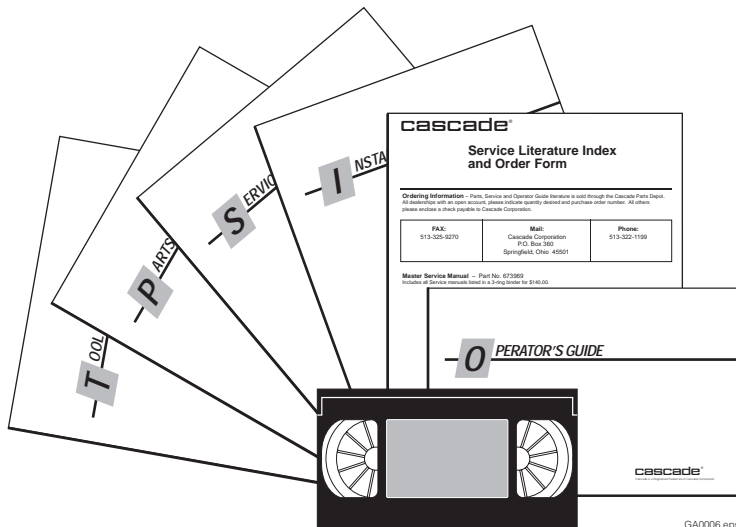
Internet: www.cascorp.com

Decals



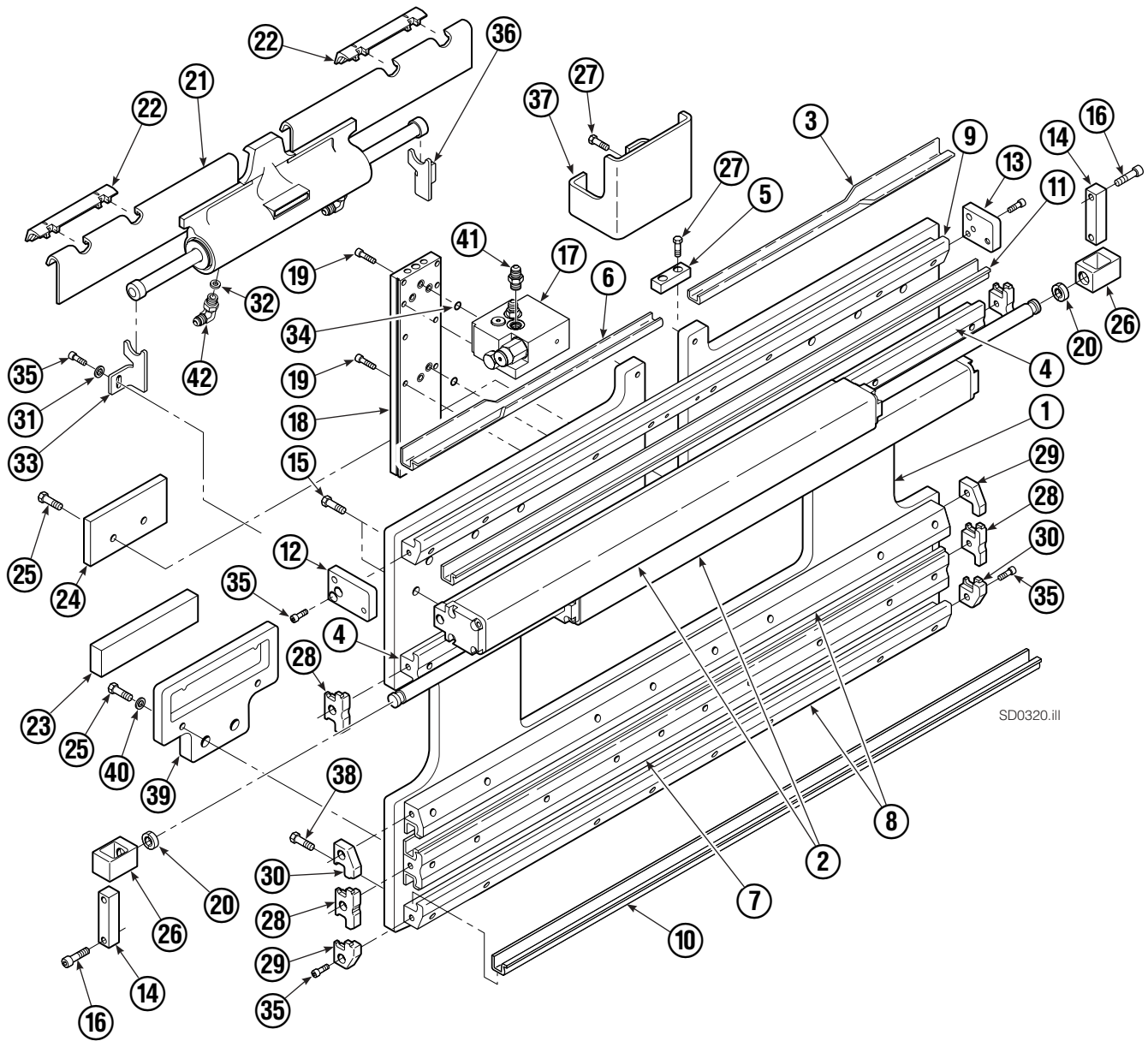
55E			
REF	QTY	PART NO.	DESCRIPTION
1	6	665595	No Hand Hold Decal
2	4	679150	No Step Decal

Publications



55E	
PART NO.	DESCRIPTION
214269	Parts Manual
213580	Operator's Guide
213372	Installation Instructions
679929	Tool Catalog
673964	Literature Index Order Form

Base Unit Group – ITA Class II



Base Unit Group – ITA Class II

55E			
REF	QTY	PART NO.	DESCRIPTION
		6116023	Base Unit Group – Class II
1	1	3010969	Baseplate
2	2	6116024	Frame Cylinder ★
3	1	4786-0488	Bearing Segment – LH
4	2	214628	T-Bar – Upper
5	1	212722	Fork Stop
6	1	4787-0488	Bearing Segment – RH
7	1	214631	T-Bar – Lower
8	2	214633	T-Bar – Lower
9	1	214635	T-Bar – Upper
10	4	4730-1040	Bearing Segment
11	4	4730-1050	Bearing Segment

★ See Frame Cylinder page for parts breakdown.
Reference: S-20006.

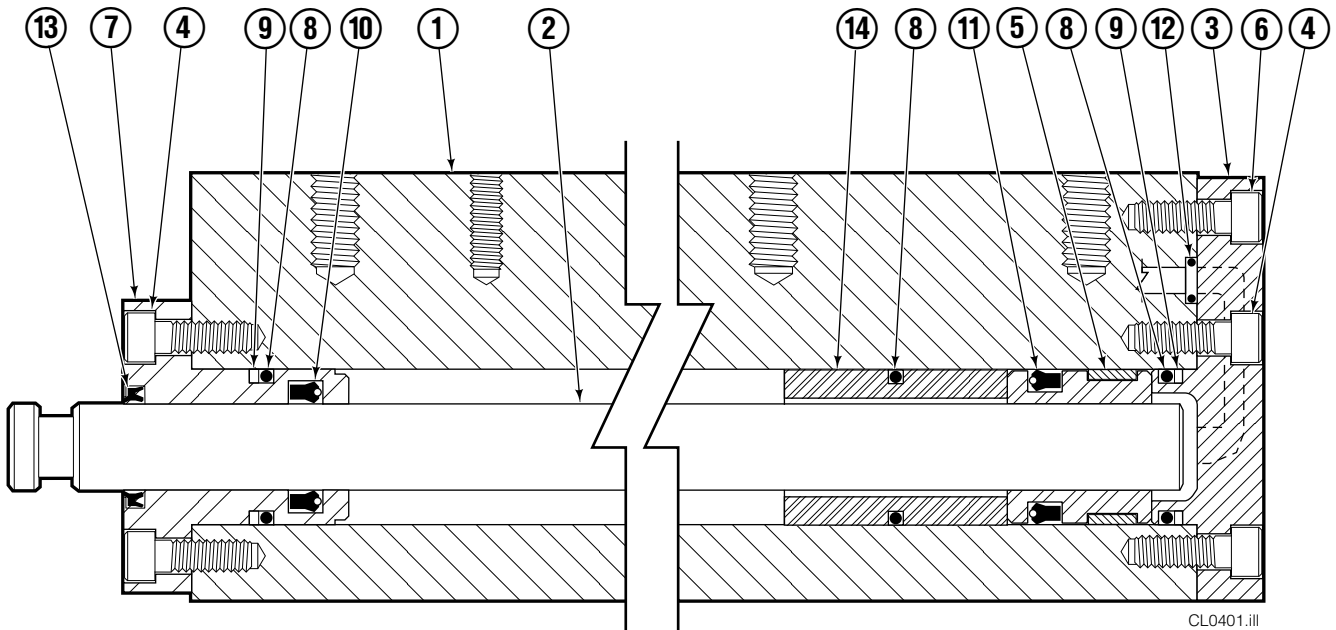
Common Parts

REF	QTY	PART NO.	DESCRIPTION	REF	QTY	PART NO.	DESCRIPTION
		6110804	Common Parts Group	27	4	684649	Capscrew, M10 x 25
12	1	211380	Retainer/Stop – RH	28	4	210140	Bearing Retainer
13	1	211379	Retainer/Stop – LH	29	2	212585	Bearing Retainer
14	2	210489	Rod End Anchor ■	30	2	212586	Bearing Retainer
15	22	211689	Capscrew, M12 x 30	31	2	787398	Washer
16	4	768303	Capscrew, M10 x 35 ■	32	2	564226	Restrictor Washer
17	1	216838	Valve Assembly ▲	33	1	213737	Bracket – RH
18	1	211456	Manifold	34	7	214053	O-Ring
19	10	768208	Capscrew, M8 x 25	35	12	787375	Capscrew, M8 x 20 GR 8.8
20	4	210490	Retainer Half Ring ■	36	1	213736	Bracket – LH
21	1	205842	Sideshift Cylinder ●	37	1	6007050	Valve Guard
22	2	204187	Upper Bearing	38	30	214487	Capscrew, M12 x 40
23	2	208350	Lower Bearing	39	2	215226	Hanger
24	2	212709	Spacer Block	40	4	787383	Lockwasher, M10
25	8	767615	Capscrew, M10 x 25	41	2	604511	Fitting, 6-6 ◆
26	2	209741	Rod End ■	42	2	601676	Fitting, 6-6 ◆

▲ See Valve Assembly page for parts breakdown.
■ Included in Cylinder Rod Anchor Kit 213856.

● See Sideshift Cylinder page for parts breakdown.
◆ Included in Fitting Group 213099.

Cylinder



CL0401.ill

REF	QTY	PART NO.	DESCRIPTION
		6116024	Cylinder Assembly
1	1	214621	Cylinder/Shell
2	1	4157-0809	Rod
3	1	213783	Cap
4	8	768208	Capscrew, M8 x 25
5	1	209809	Bearing ▲
6	1	787375	Capscrew, M8 x 20
7	1	212452	Retainer
8	3	643379	O-Ring ▲
9	2	210050	Back-Up Ring ▲
10	1	212477	Seal ▲
11	1	209808	Seal ▲
12	2	214053	O-Ring ▲
13	1	562131	Wiper ▲
14	1	4274-0016	Spacer
		210288	Service Kit

▲ Included in Service Kit 210288

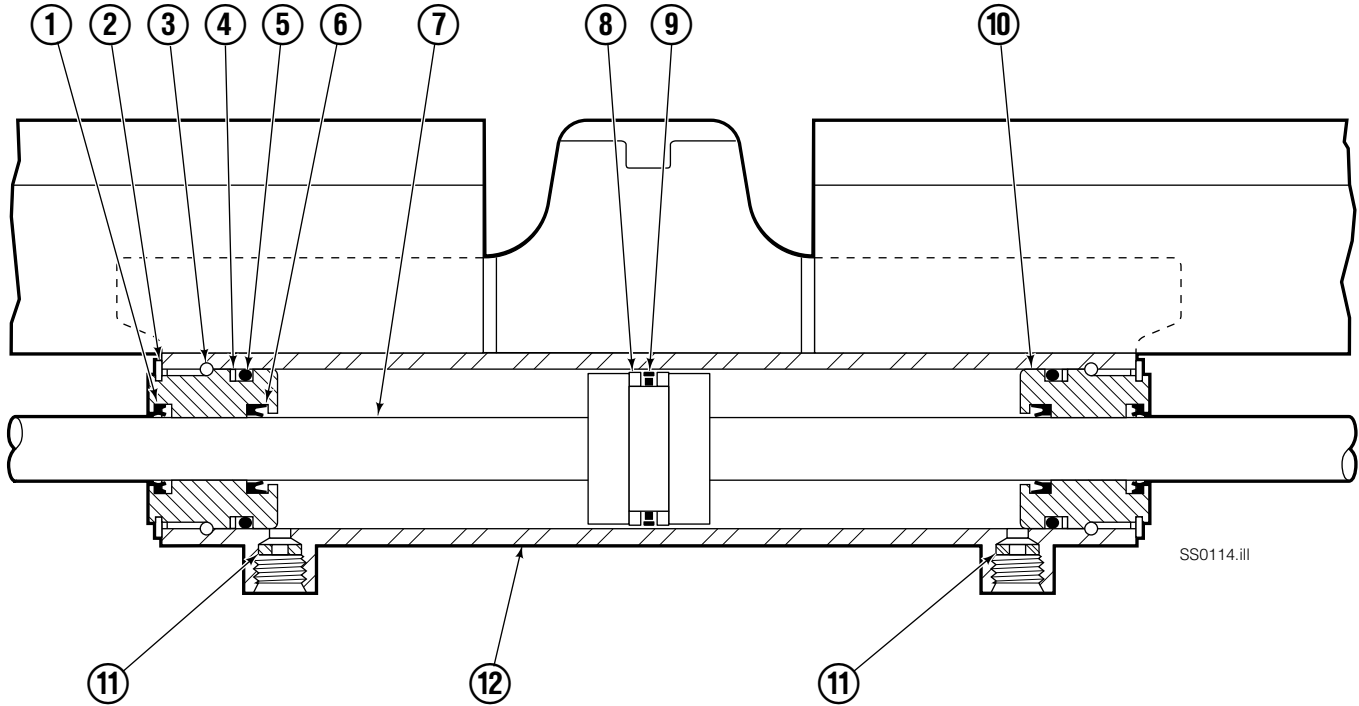
Reference: S-4644, S-4643.

Valve ITA Class III



55E			
REF	QTY	PART NO.	DESCRIPTION
		216838	Valve Assembly
1	1	219039	Check Valve
2	1	—	Service Kit
3	1	609234	Plug
4	1	216839	Valve Body
5	1	213535	Crossover Relief Valve
6	1	682170	Service Kit
7	1	219040	Flow Divider/Combiner
8	1	—	Service Kit

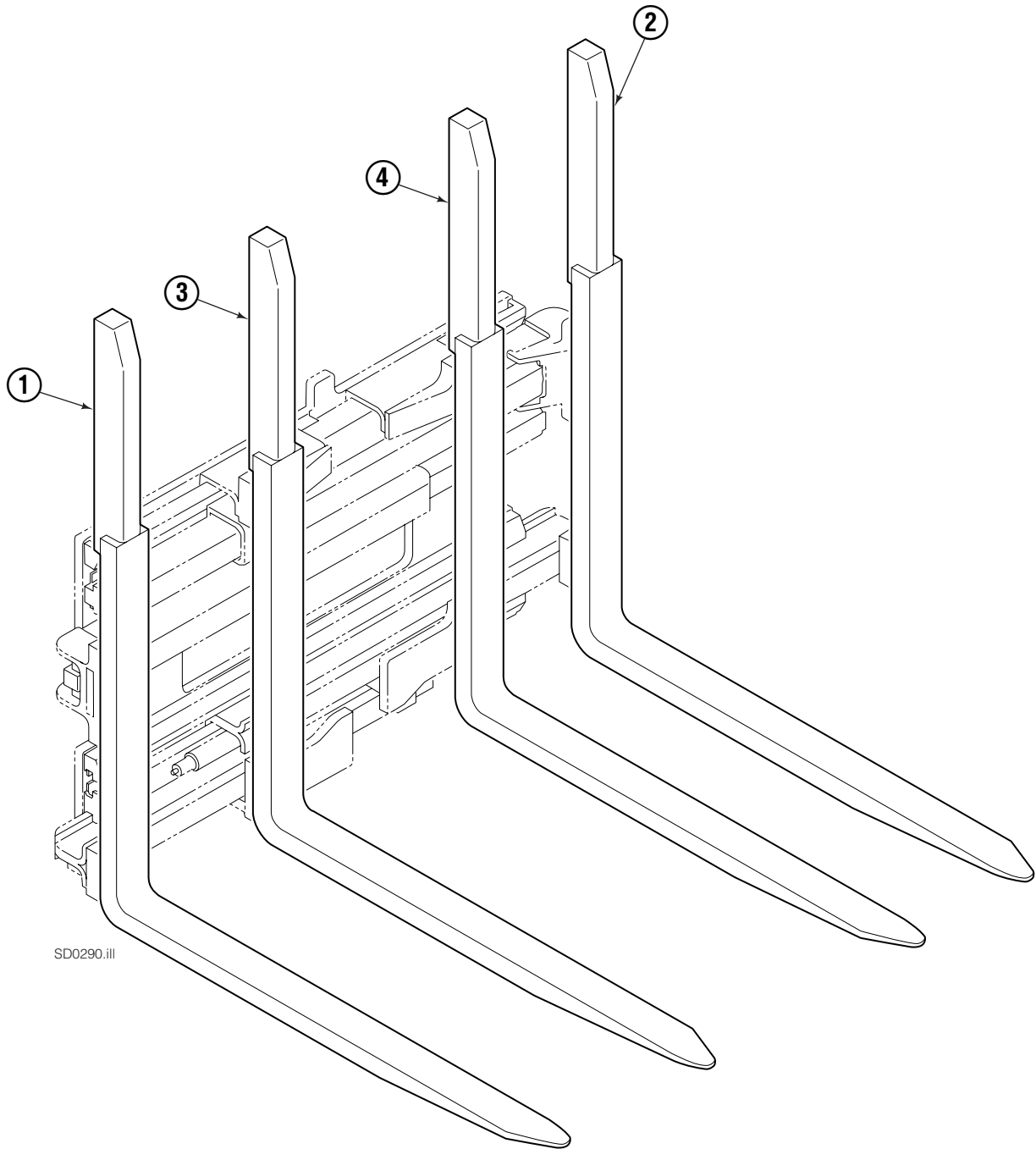
Sideshift Cylinder ITA Class II



55E			
REF	QTY	PART NO.	DESCRIPTION
		205842	Cylinder Assembly
1	2	562131	● Wiper Seal
2	2	562951	Snap Ring
3	2	562942	Retaining Ring
4	2	563388	● Back-Up Ring
5	2	562127	● O-Ring
6	2	562132	● Rod Seal
7	1	562055	Rod
8	2	563278	● Bearing Ring
9	1	564141	● Piston Seal
10	2	562792	Retainer
11	2	564226	Speed Control Washer ▲
12	-	■	Cylinder Shell
		563487	Service Kit

- Included in Service Kit 563487.
- Not serviceable, order new cylinder assembly.
- ▲ Reference: Restrictor Group 205369.

Tube Backrest/Fork Group

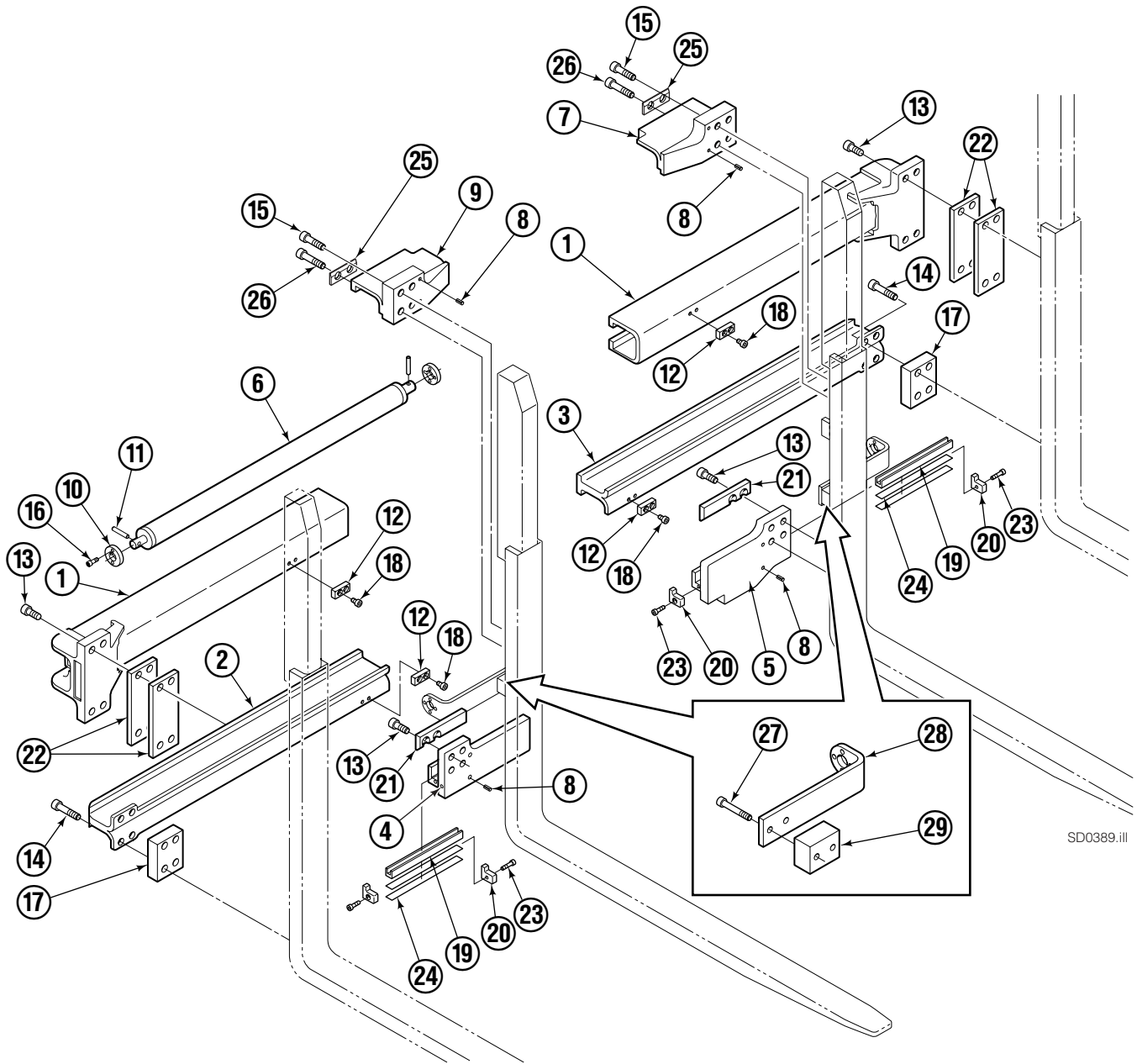


SD0290.ill

55E			
REF	QTY	PART NO.	DESCRIPTION
		6116017	Fork Group
1	1	6116019	Outer Fork-RH
2	1	6116018	Outer Fork-LH
3	1	6116021	Inner Fork-RH
4	1	6116020	Inner Fork-LH

Reference: S-28191, S-28192, S-28193,
S-28255, S-28256, S-28257.

Arm Group



SD0389.iii

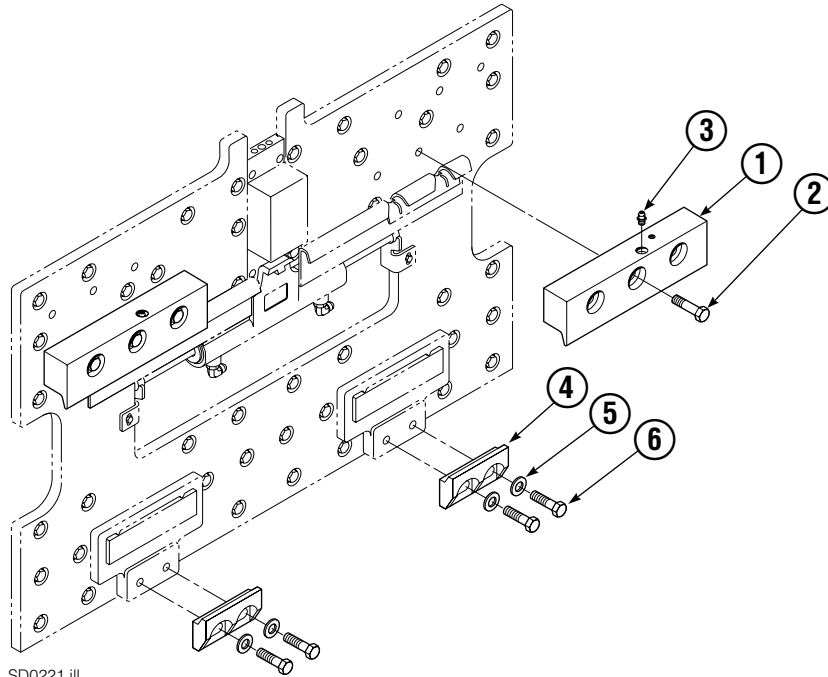
Arm Group

55E			
REF	QTY	PART NO.	DESCRIPTION
		6116022	Arm Group
1	2	6116025	Upper Arm Bar
2	1	6116027	Lower Arm Bar – RH
3	1	6116026	Lower Arm Bar – LH
4	1	6110799	Lower Hook – RH
5	1	6110798	Lower Hook – LH
6	2	6111736	Spring Cylinder
7	1	6110789	Upper Hook – LH
8	8	769014	Roll Pin

REF	QTY	PART NO.	DESCRIPTION	REF	QTY	PART NO.	DESCRIPTION
9	1	6110790	Upper Hook – RH	20	4	225345	Bearing Retainer
10	2	6003311	Retainer	21	2	213899	Bearing
11	2	6110442	Pin, M6 x 32	22	4	797610	Spacer
12	4	212687	Fork Stop	23	4	787375	Capscrew, M8 x 20
13	16	769574	Capscrew, M16 x 35	24	6	212559	Shim, .04 in. (1 mm)
14	8	769578	Capscrew, M16 x 60	25	2	6110402	Bearing Plate
15	4	769577	Capscrew, M16 x 50	26	4	682073	Capscrew, M16 x 70
16	4	787375	Capscrew, M8 x 20	27	4	768814	Capscrew, M10 x 60
17	2	210587	Spacer	28	2	28258-0222	Bracket
18	8	214414	Capscrew, M10 x 12	29	2	6113096	Spacer
19	2	4501-0222	Bearing Segment				

Reference: Common Parts Group 6113120.

Mounting Group ITA Class II



SD0221.ill

55E			
REF	QTY	PART NO.	DESCRIPTION
		212569	Upper Hook Group ▲
		211173	Lower Hook Group ★
1	2	210591	Upper Hook
2	6	751511	Capscrew, M16 x 55
3	2	7403	Grease Fitting
4	2	675968	Lower Hook
5	4	667225	Washer
6	4	751511	Capscrew, M16 x 55

▲ Includes items 1 & 2.

★ Includes items 4-6.

Reference: SK-6373.

Do you have questions you need answered right now? Call your nearest Cascade Parts Department. Visit us online at www.cascorp.com

Cascade Corporation

2501 Sheridan Avenue
Springfield, OH 45505
Tel: 888-CASCADE (227-2233)
FAX: 888-329-0234

Cascade Canada Inc.

5570 Timberlea Blvd.
Mississauga, Ontario
Canada L4W-4M6
Tel: 905-629-7777
FAX: 905-629-7785

Cascade GmbH

Dahlener Strasse 570
41239 Mönchengladbach
Germany
Tel: 02166-68230
FAX: 02166-682323

Cascade Finland

A. Petreliuksenkatu 3
01370 Vantaa
Finland
Tel: 09-8361925
FAX: 09-8361935

**Cascade N.V.
Benelux Sales and Service**

Damsluisweg 56
PO Box 3009
1300 El Almere
The Netherlands
Tel: 036-5492950
FAX: 036-5492974

Cascade (UK) Ltd.

Unit 5, Eden Close
Hellaby Lane Ind. Estate
Heellaby,
Rotherham S66 8RW
England
Tel: 01709-704500
FAX: 01709-704501

**Sales Scotland
Macade Systems Ltd.**

18 Melford Road
Righead Ind. Estate
Bellshill ML4 3LR
Scotland
Tel: 01698-845777
FAX: 01698-845888

Cascade (Africa) Pty. Ltd.

PO Box 625, Isando 1600
60A Steel Road
Sparton, Kempton Park
South Africa
Tel: 975-9240
FAX: 394-1147

Cascade Scandinavia AB

Hammarvägen 10
PO Box 124
S-56723 Vaggeryd
Sweden
Tel: 039-336950
FAX: 039-336959

**Cascade France
S.A.R.L. MHP**

1D Rue De Charaintru
BP 18,
91360 Epinay-Sur-Orge
France
Tel: 01-6454-7500
FAX: 01-6454-7501

Cascade Hispania S.A.

Carrer 5, Sector C
Zona Franca Duanera
Poligono de la Zona Franca
08040 Barcelona
Spain
Tel: 93-264-07-30
FAX: 93-264-07-31

Sales Italy

Via Ponzano 11
50047 Prato
Italy
Tel: 0574-571726
FAX: 0574-571726
Mobile Phone: 0337-673029

**Sales Portugal FAG
Santos Lda**

Rua do Mercado
Lte 6, Loja 2-Tires
2785-630
S. Domingos De Rana
Portugal
Tel: 214-448-083
FAX: 214-458-098

**Sales Switzerland
Fahrzeugbedarf**

8810, Horgen
Switzerland
Tel: 01-7279797
FAX: 01-7279798

Sales Poland

Targowa 35/61
03-728 Warszawa
Tel: 022-619 00 49
FAX: 022-619 00 49
Mobile Phone: 0501-27 29 55

Sales Russia

EMCG Material Handling
Equipment
Moscow
Tel: 095-795-2400
FAX: 095-795-2475
Email: emcg@dol.ru

Cascade Japan Ltd.

5-5-41,
Torikai Kami
Settsu, Osaka
Japan, 566
Tel: 81-726-53-3490
FAX: 81-726-53-3497

Cascade Korea

108B Namdong Ind. Complex
658-3 Gojan-Dong
Namdong-Gu
Inchon, 405-310 Korea
Tel: 82-32-821-2051
FAX: 82-32-821-2055

Cascade Australia

1445 Ipswich Road
Rocklea, QLD 4106
Australia
Tel: 1-800227-223
FAX: (07) 3373-7333

Cascade New Zealand

15 Ra Ora Drive
East Tamaki, Auckland
New Zealand
Tel: 9-273-9136
FAX: 9-273-9137

Cascade-Xiamen

No. 668 Yangguang Rd.
Xinyang Industrial Zone
Haicang, Xiamen City
Fujian Province
P.R. China 361026
Tel: 86-592-651-2500
FAX: 86-592-651-2571

**Cascade (Singapore)
Trading Co.**

Four Seasons Park
Autumn Block - Apt. 1802
12 Cuscaden Walk
Singapore
Tel: 65-834-1935
FAX: 65-834-1936

