



# Parts Manual

---

Model Fork Positioner

Serial Number 100F-FPS-161

---

**cascade**<sup>®</sup>  
**corporation**

**For Technical Assistance call:** 800-227-2233, Fax: 888-329-8207

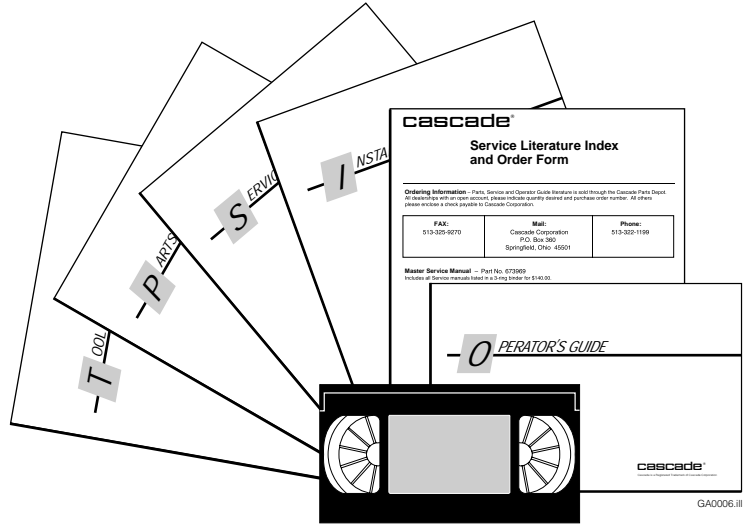
**To Order Parts call:** 888-227-2233, Fax: 888-329-0234

**OR**

**Write:** Cascade Corporation, P.O. Box 20187, Portland, OR 97220

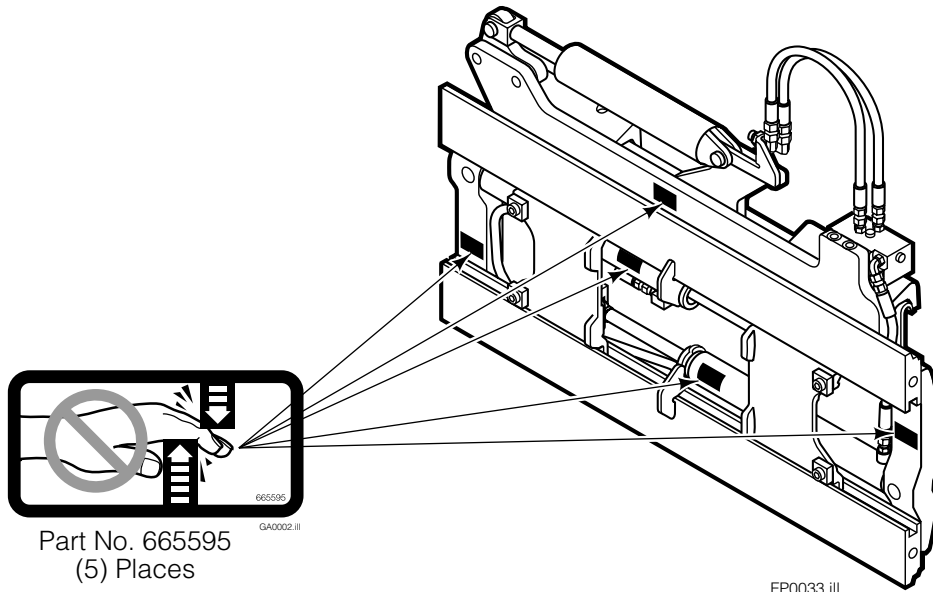
**Internet:** [www.cascorp.com](http://www.cascorp.com)

# Publications

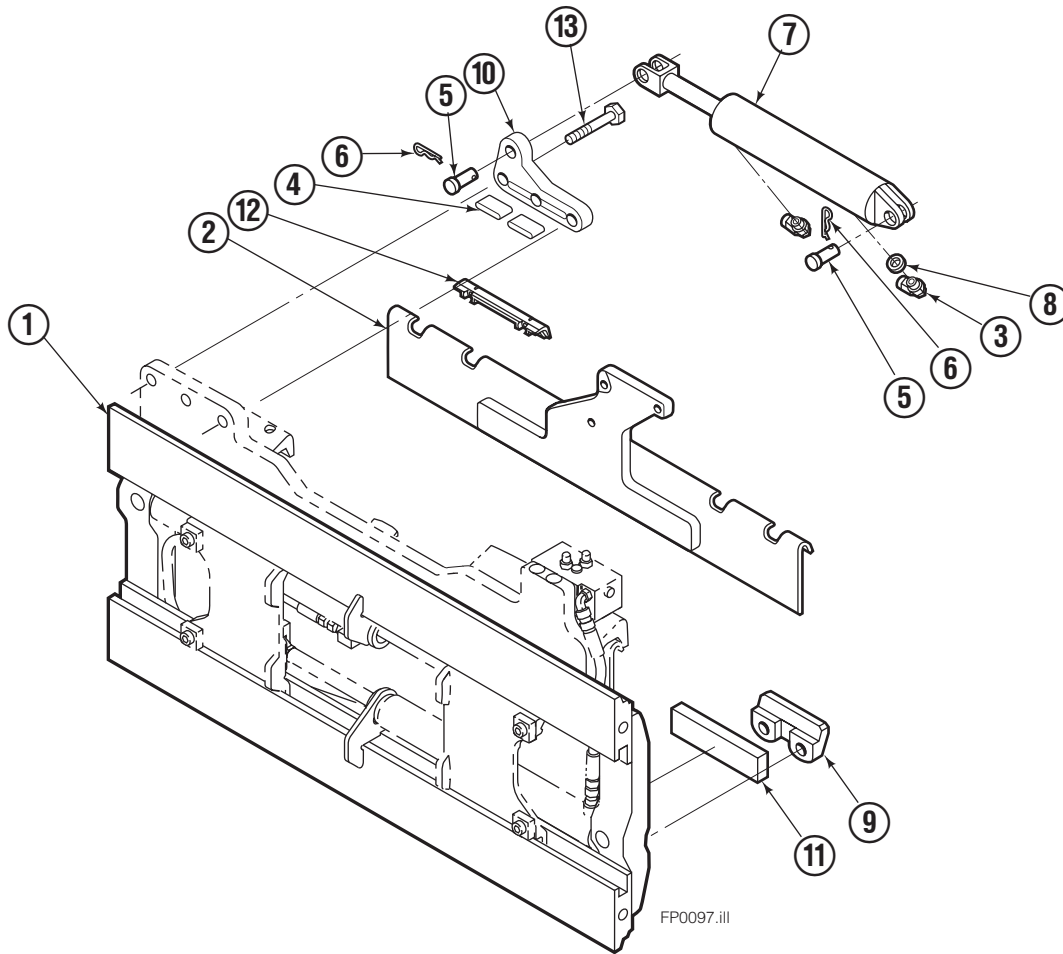


150H	
PART NO.	DESCRIPTION
	Parts Manual
208743	Service Manual
688261	Operators Guide
207363	Installation Instructions
680664	Servicing Cascade Cylinders-VHS
679929	Tool Catalog
673964	Literature Index Order Form

# Safety Decals



# Mounting Group Sideshifting

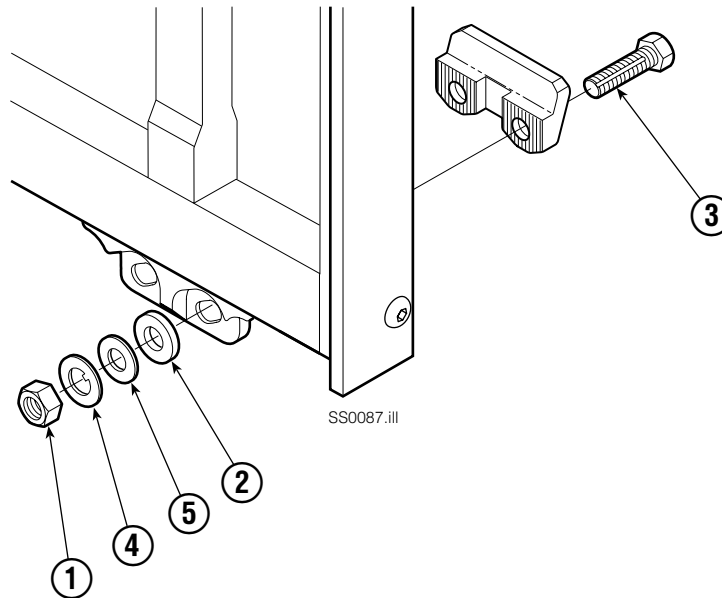


## 100F

REF	QTY	PART NO.	DESCRIPTION	REF	QTY	PART NO.	DESCRIPTION
		379167 ●	Sideshifting Mounting-49" ■	8	1	675550	Washer (orifice .085)
1	1	209385	Frame-49" ■	9	2	204186	Lower Hook
2	1	209394	Anchor Bracket-49" ■	10	1	209309	Lug
3	2	601676	Fitting, 6-6	11	2	208350	Lower Bearing
4	2	209542	Key, M10x8x63	12	2	672018	Upper Bearing
5	2	678528	Clevis Pin	13	3	752907	Capscrew, M20 x 50-8.8
6	2	672726	Hairpin Cotter		1	373137	Security Kit
◆7	1	676649	Cylinder Assembly				

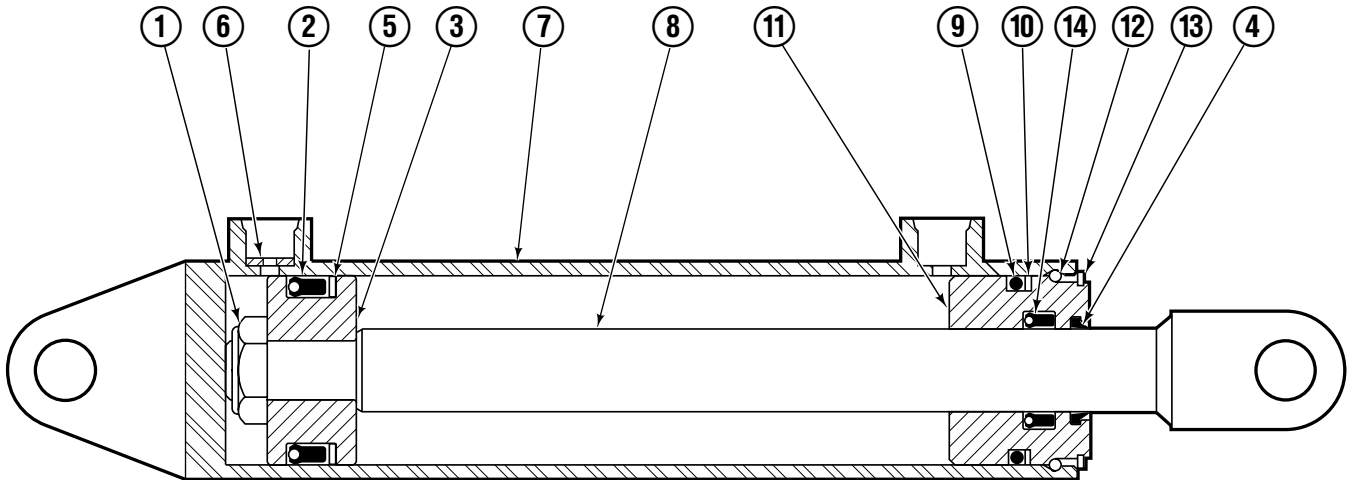
- Carriage width.
- Includes items 2 through 13.
- ◆ See Cylinder page for parts breakdown.

# Security Kit



REF	QTY	PART NO.	DESCRIPTION
	1	373137	Security Kit
1	4	678990	Nut, M16
2	4	667225	Washer, .625
3	4	391381	Capscrew, M16 x 45
4	4	366910	Internal Tab Washer
5	4	205666	Shim Washer

# Sideshift Cylinder

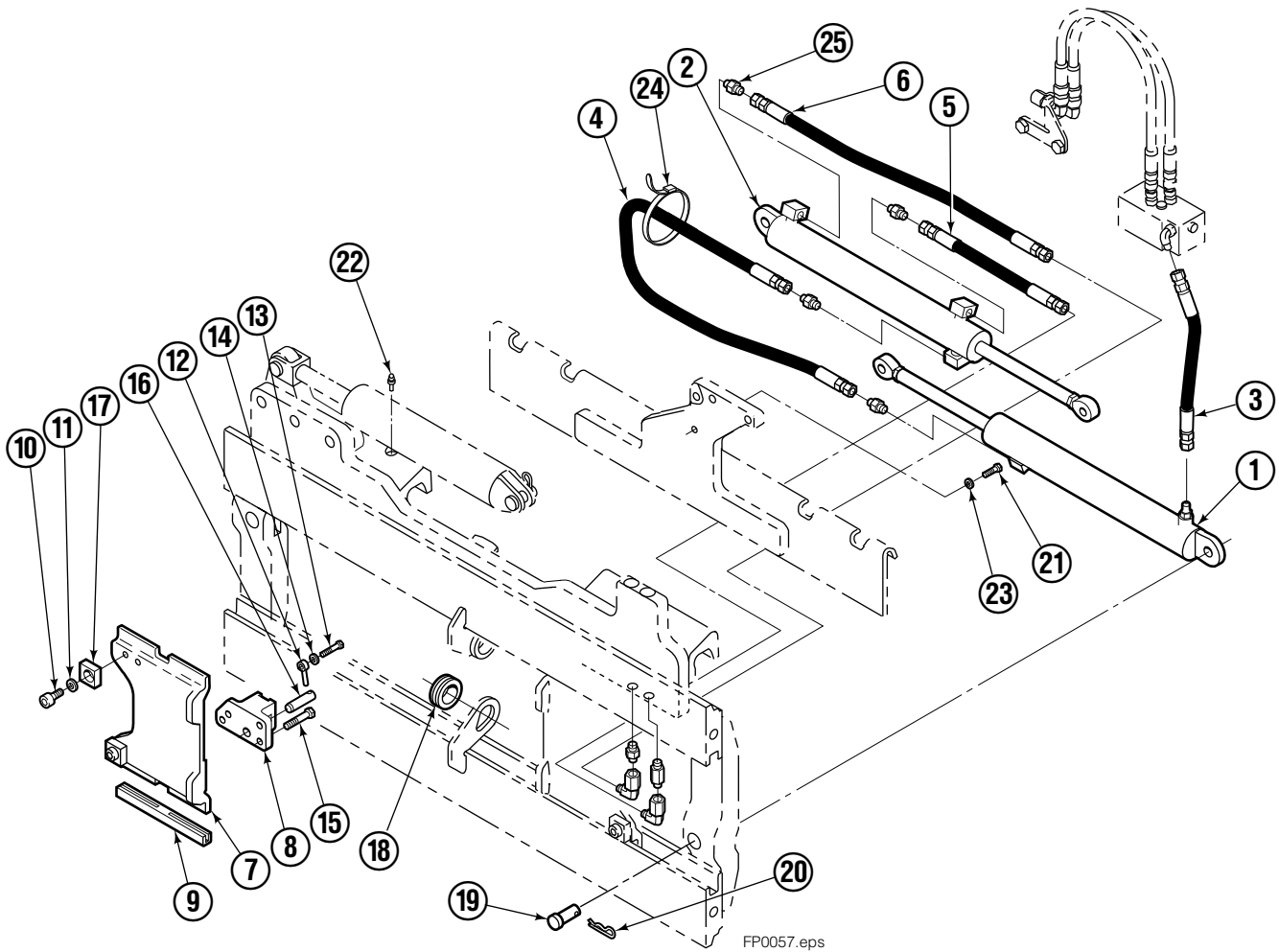


FP0029.ill

REF	QTY	PART NO.	DESCRIPTION
		676649	Cylinder Assembly
1	1	553717	Nut
■ 2	1	662456	Seal
3	1	553527	Piston
■ 4	1	636852	Wiper
■ 5	1	649817	Back-up Ring
6	1	675550	Washer (orifice .085)
7	1	676776	Shell
8	1	553530	Rod
■ 9	1	2789	O-Ring
■ 10	1	615132	Back-up Ring
11	1	553528	Retainer
12	1	553688	Retaining Ring
13	1	7211	Snap Ring
■ 14	1	662447	Seal
		553866	Service Kit

■ Included in Service Kit 553866.

# Hydraulic/Fork Group



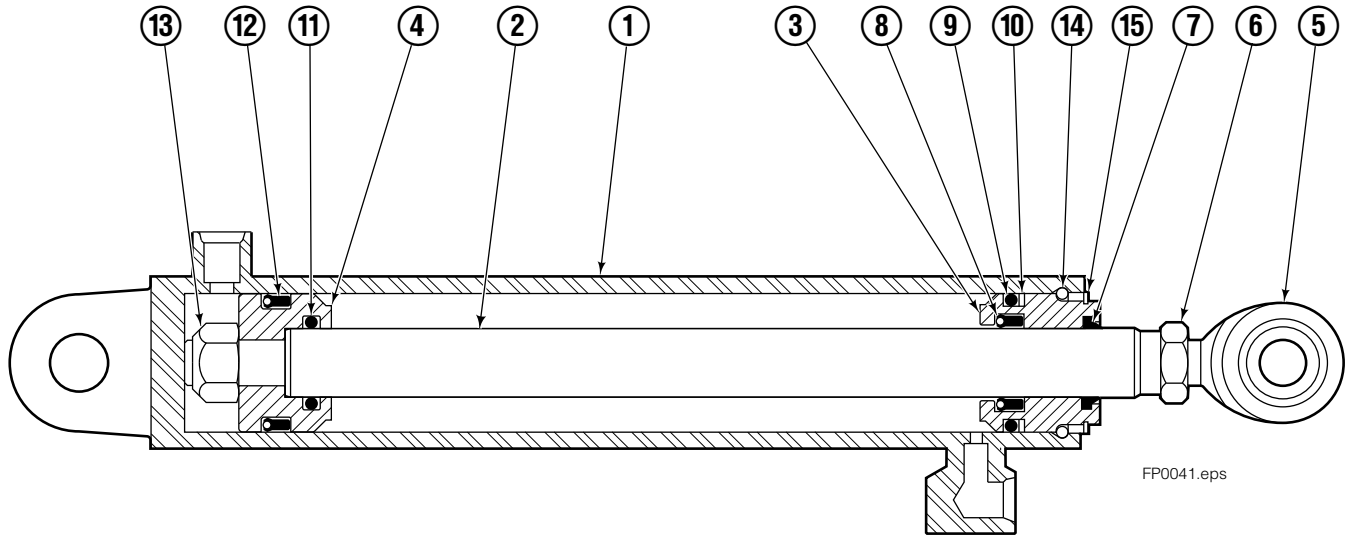
Reference:  
BC-106  
SK-6042

100F							
REF	QTY	PART NO.	DESCRIPTION	REF	QTY	PART NO.	DESCRIPTION
		●209465	Hydraulic Group ■	13	2	763169	Capscrew
		□209502	Fork Group	14	2	680217	Lockwasher
◆1	1	209487	Cylinder Assembly L. H. ■	15	8	681370	Capscrew
▼2	1	209494	Cylinder Assembly R. H. ■	16	2	209308	Pin
3	1	209515	Hose ■	17	4	209306	Block
4	1	209522	Hose ■	18	2	209305	Grommet
5	1	209528	Hose	19	2	661675	Clevis Pin
6	1	209530	Hose ■	20	2	672726	Hairpin Cotter
7	2	209391	Fork Carrier	21	1	763022	Capscrew
8	2	209280	Lug	22	2	7403	Grease Fitting
9	4	209303	Bearing	23	1	681238	Lockwasher
10	4	768838	Capscrew	24	1	200008	Cable Tie
11	4	678992	Lockwasher	25	5	604511	Fitting, 6-6
12	2	206923	Eyebolt				

- Carriage width.
- ◆ See L.H. Cylinder page for parts breakdown.
- ▼ See R.H. Cylinder page for parts breakdown.

- Includes items 1 through 6.
- Includes items 7 through 25.

# Left Hand Cylinder

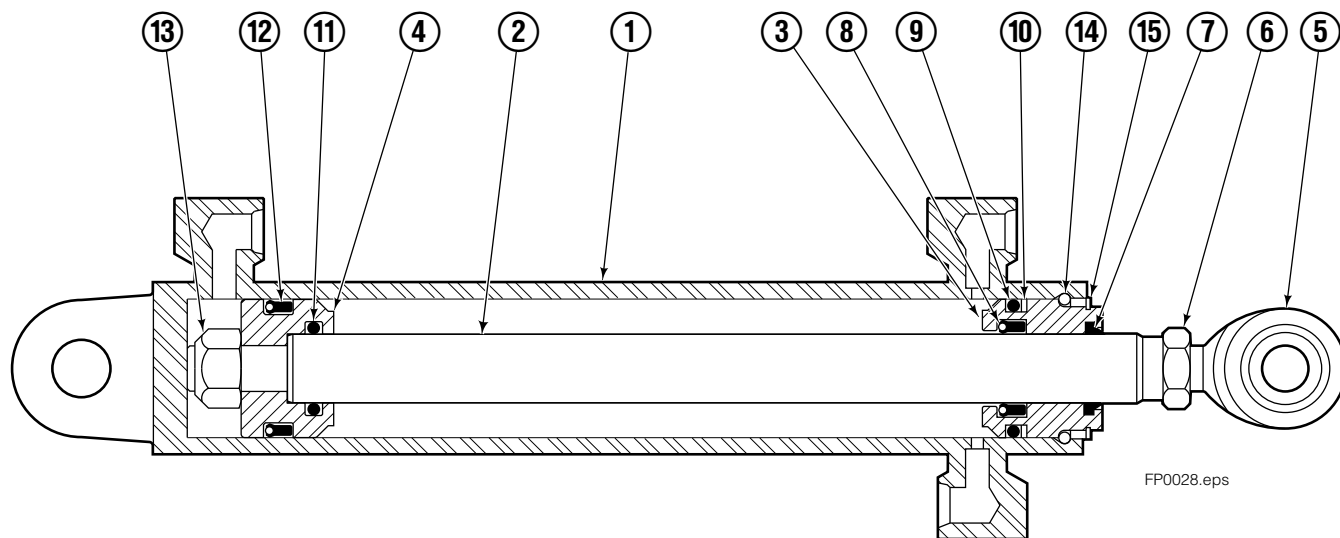


FP0041.eps

100F			
REF	QTY	PART NO.	DESCRIPTION
		209487	Cylinder Assembly - 49" ■
1	1	564487	Shell - 49" ■
2	1	564494	Rod - 49" ■
3	1	564451	Retainer
4	1	562056	Piston
5	1	564452	Rod End
6	1	5721	Nut
● 7	1	564408	Rod Wiper
● 8	1	564406	Rod Seal
● 9	1	562127	O-Ring
● 10	1	563388	Back-up Ring
● 11	1	563278	O-Ring
● 12	1	564141	Piston Seal
13	1	678019	Piston Nut
14	1	562942	Retaining Ring
15	1	562951	Snap Ring
16	1	---	Spacer
		564453	Service Kit

- Carriage width.
- Included in Service Kit 564453.

# Right Hand Cylinder



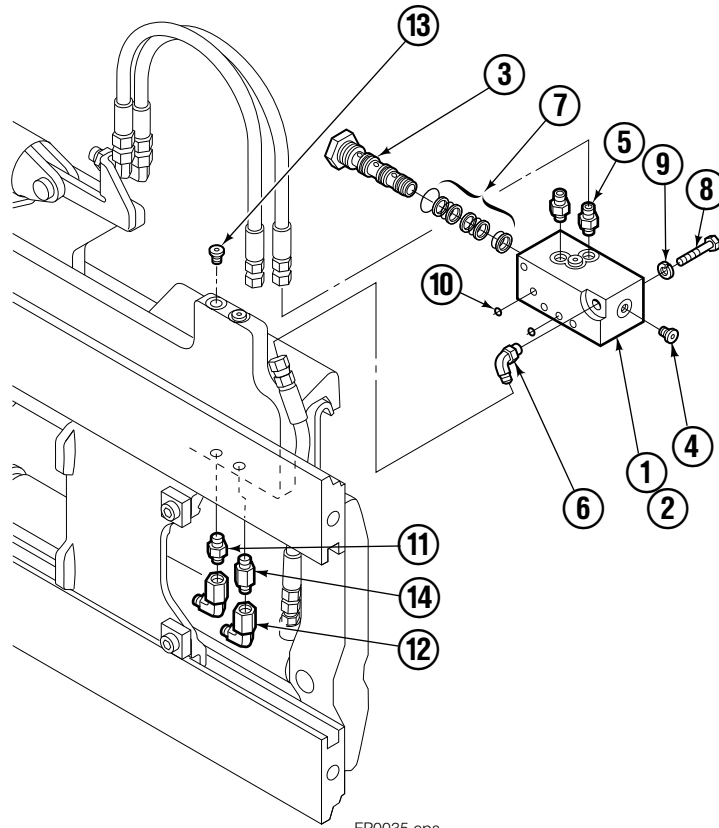
FP0028.eps

100F			
REF	QTY	PART NO.	DESCRIPTION
		209494	Cylinder Assembly-49" ■
1	1	564501	Shell-49" ■
2	1	564494	Rod-49" ■
3	1	564451	Retainer
4	1	562056	Piston
5	1	564452	Rod End
6	1	5721	Nut
● 7	1	564408	Rod Wiper
● 8	1	564406	Rod Seal
● 9	1	562127	O-Ring
● 10	1	563388	Back-up Ring
● 11	1	563278	O-Ring
● 12	1	564141	Piston Seal
13	1	678019	Piston Nut
14	1	562942	Retaining Ring
15	1	562951	Snap Ring
16	1	---	Spacer
		564453	Service Kit

■ Carriage width.

● Included in Service Kit 564453.

# Flow Divider Group

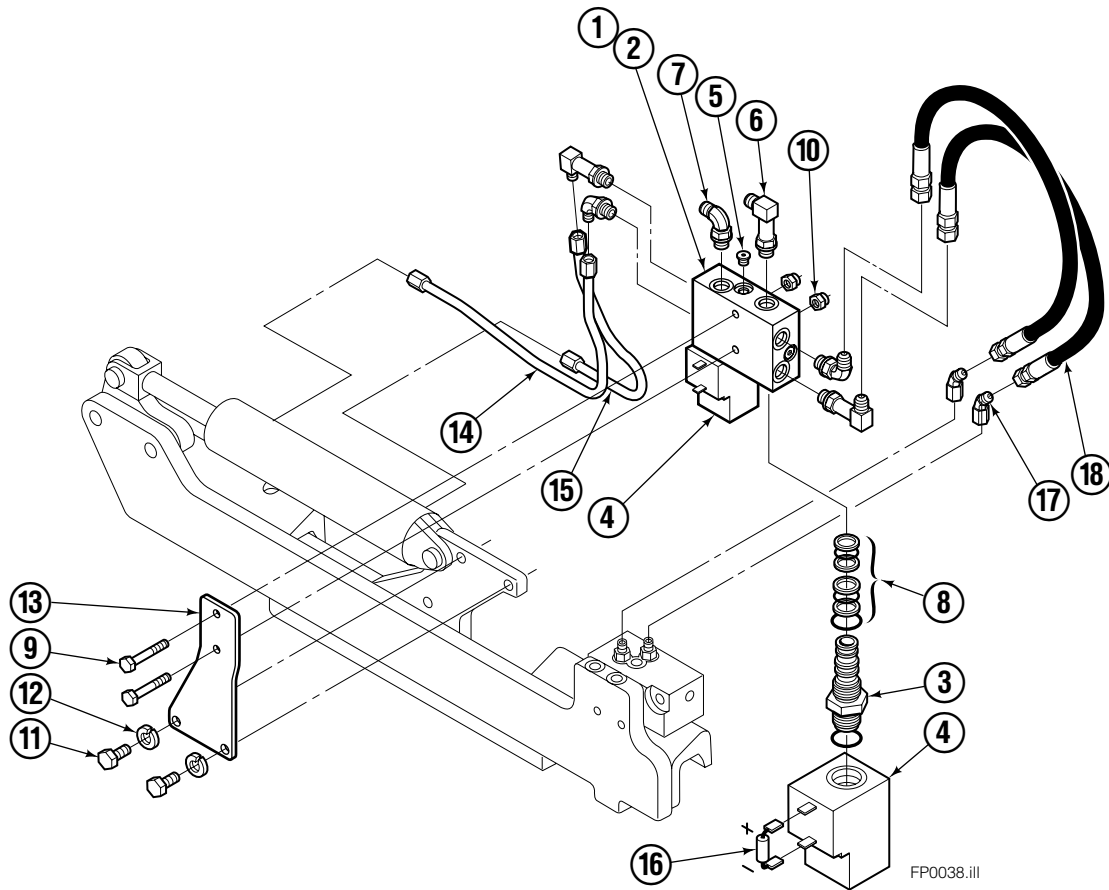


FP0035.eps

<b>100F</b>			
REF	QTY	PART NO.	DESCRIPTION
		209504	Flow Divider Group
1	1	■ 209310	Valve
2	1	209311	Valve Body
3	1	201527	Cartridge-Combiner
4	2	663694	Fitting, 3
5	2	604511	Fitting, 6-6
6	1	601676	Fitting, 6-6
7	1	679992	Service Kit
8	3	685105	Capscrew
9	3	678993	Lockwasher
10	2	207300	O-Ring
11	1	604511	Fitting, 6-6
12	2	2680	Fitting, 6-6
13	2	604510	Fitting, 6
14	1	605743	Fitting, 6-6

■ Includes items 1 through 7.

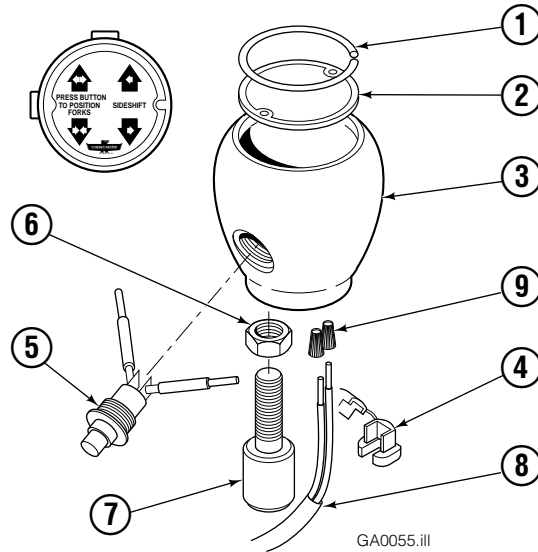
# Solenoid Valve Group



100F			
REF	QTY	PART NO.	DESCRIPTION
		209543	Solenoid Valve Group
1	1	207302	Solenoid Valve ■
2	1	207303	Valve Body
3	2	687305	Solenoid Cartridge
4	2	687306	Coil-12V
4	2	687307	Coil-24V
4	2	687308	Coil-36V
4	2	687309	Coil-48V
4	2	687310	Coil-72V
5	4	663694	Fitting, 3
6	3	207304	Fitting, 6-6
7	3	601676	Fitting, 6-6
8	1	679991	Service Kit
9	2	768528	Capscrew, M8 x 55
10	2	786881	Lock Nut
11	2	681370	Capscrew
12	2	681238	Lockwasher
13	1	207308	Bracket
14	1	209545	Tube
15	1	209544	Tube
16	1	669432	Diode
17	2	605230	Fitting, 6-6
18	2	676085	Hose

■ Includes items 1-3 and 5-7.

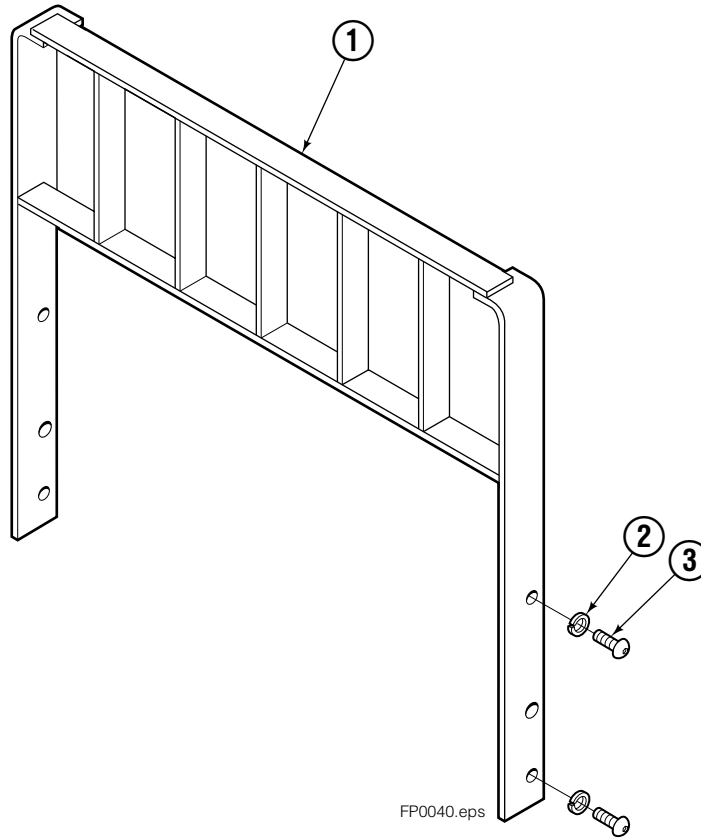
# Control Knob



REF	QTY	PART NO.	DESCRIPTION
		686479	Knob Group
1	1	665250	Snap Ring
2	1	686018	Cover
3	1	665012	Knob
4	1	665076	Strain Relief
5	1	677112	■ Switch
6	1	5902	Nut, 3/8 NC
7	1	665081	Adapter, 3/8"
8	1	665077	Cable Assembly
9	2	667752	Connector-Gray
10	1	672087	Adapter, 1/2"

- This switch may be purchased without wires. Order part number 665004. Soldering is required.

# Backrests



<b>100F</b>			
REF	QTY	PART NO.	DESCRIPTION
1	1	209474	Backrest-49"x36" in. (1245x915 mm) ■
2	4	684586	Lockwasher
3	4	200173	Capscrew

■ Width by Height.

Ref: S-4098



**Do you have questions you need answered right now?** Call your nearest Cascade Parts Department. Visit us online at [www.cascorp.com](http://www.cascorp.com)

**Cascade Corporation**

2501 Sheridan Avenue  
Springfield, OH 45505  
Tel: 888-CASCADE (227-2233)  
FAX: 888-329-0234

**Cascade Canada Inc.**

5570 Timberlea Blvd.  
Mississauga, Ontario  
Canada L4W-4M6  
Tel: 905-629-7777  
FAX: 905-629-7785

**Cascade GmbH**

Dahlener Strasse 570  
41239 Mönchengladbach  
Germany  
Tel: 02166-68230  
FAX: 02166-682323

**Cascade Finland**

A. Petreliuksenkatu 3  
01370 Vantaa  
Finland  
Tel: 09-8361925  
FAX: 09-8361935

**Cascade N.V.  
Benelux Sales and Service**

Damsluisweg 56  
PO Box 3009  
1300 El Almere  
The Netherlands  
Tel: 036-5492950  
FAX: 036-5492974

**Cascade (UK) Ltd.**

Unit 5, Eden Close  
Hellaby Lane Ind. Estate  
Heellaby,  
Rotherham S66 8RW  
England  
Tel: 01709-704500  
FAX: 01709-704501

**Sales Scotland  
Macade Systems Ltd.**

18 Melford Road  
Righead Ind. Estate  
Bellshill ML4 3LR  
Scotland  
Tel: 01698-845777  
FAX: 01698-845888

**Cascade (Africa) Pty. Ltd.**

PO Box 625, Isando 1600  
60A Steel Road  
Sparton, Kempton Park  
South Africa  
Tel: 975-9240  
FAX: 394-1147

**Cascade Scandinavia AB**

Hammarvägen 10  
PO Box 124  
S-56723 Vaggeryd  
Sweden  
Tel: 039-336950  
FAX: 039-336959

**Cascade France  
S.A.R.L. MHP**

1D Rue De Charaintru  
BP 18,  
91360 Epinay-Sur-Orge  
France  
Tel: 01-6454-7500  
FAX: 01-6454-7501

**Cascade Hispania S.A.**

Carrer 5, Sector C  
Zona Franca Duanera  
Poligono de la Zona Franca  
08040 Barcelona  
Spain  
Tel: 93-264-07-30  
FAX: 93-264-07-31

**Sales Italy**

Via Ponzano 11  
50047 Prato  
Italy  
Tel: 0574-571726  
FAX: 0574-571726  
Mobile Phone: 0337-673029

**Sales Portugal FAG  
Santos Lda**

Rua do Mercado  
Lte 6, Loja 2-Tires  
2785-630  
S. Domingos De Rana  
Portugal  
Tel: 214-448-083  
FAX: 214-458-098

**Sales Switzerland  
Fahrzeugbedarf**

8810, Horgen  
Switzerland  
Tel: 01-7279797  
FAX: 01-7279798

**Sales Poland**

Targowa 35/61  
03-728 Warszawa  
Tel: 022-619 00 49  
FAX: 022-619 00 49  
Mobile Phone: 0501-27 29 55

**Sales Russia**

EMCG Material Handling  
Equipment  
Moscow  
Tel: 095-795-2400  
FAX: 095-795-2475  
Email: [emcg@dol.ru](mailto:emcg@dol.ru)

**Cascade Japan Ltd.**

5-5-41,  
Torikai Kami  
Settsu, Osaka  
Japan, 566  
Tel: 81-726-53-3490  
FAX: 81-726-53-3497

**Cascade Korea**

108B Namdong Ind. Complex  
658-3 Gojan-Dong  
Namdong-Gu  
Inchon, 405-310 Korea  
Tel: 82-32-821-2051  
FAX: 82-32-821-2055

**Cascade Australia**

1445 Ipswich Road  
Rocklea, QLD 4106  
Australia  
Tel: 1-800227-223  
FAX: (07) 3373-7333

**Cascade New Zealand**

15 Ra Ora Drive  
East Tamaki, Auckland  
New Zealand  
Tel: 9-273-9136  
FAX: 9-273-9137

**Cascade-Xiamen**

No. 668 Yangguang Rd.  
Xinyang Industrial Zone  
Haicang, Xiamen City  
Fujian Province  
P.R. China 361026  
Tel: 86-592-651-2500  
FAX: 86-592-651-2571

**Cascade (Singapore)  
Trading Co.**

Four Seasons Park  
Autumn Block - Apt. 1802  
12 Cuscaden Walk  
Singapore  
Tel: 65-834-1935  
FAX: 65-834-1936

