



# Parts Manual

---

Model \_\_\_\_\_ **Fork Positioner**

Catalog Number \_\_\_\_\_ **120F-FPS-C054 R0**

---

**cascade**®  
**corporation**

**For Technical Assistance call:** 800-227-2233, Fax: 888-329-8207

**To Order Parts call:** 888-227-2233, Fax: 888-329-0234

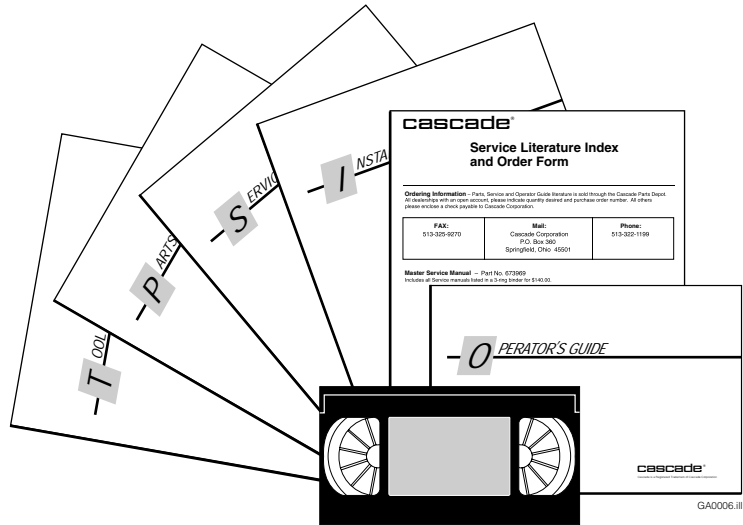
**OR**

**Write:** Cascade Corporation, P.O. Box 20187, Portland, OR 97220

**Internet:** [www.cascorp.com](http://www.cascorp.com)

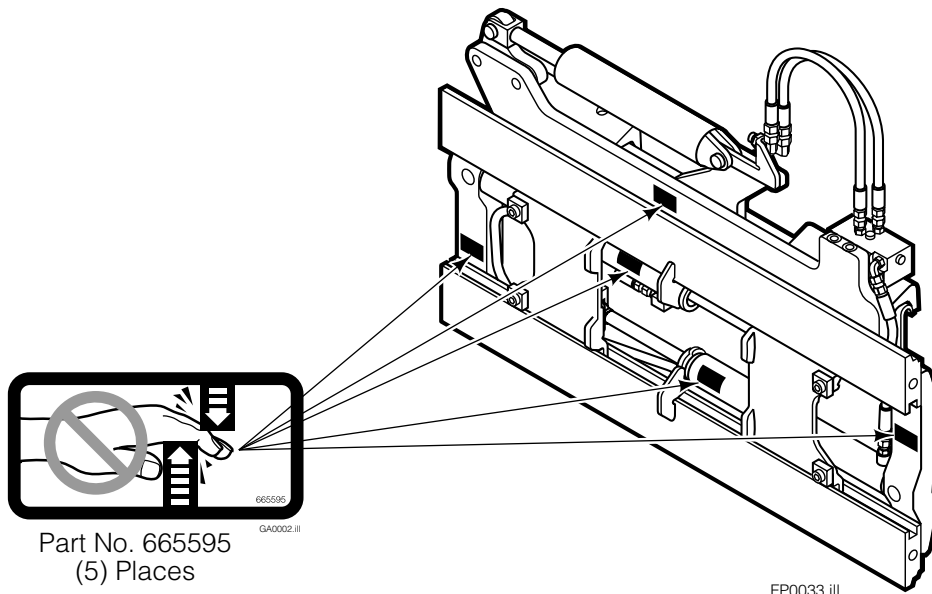


# Publications



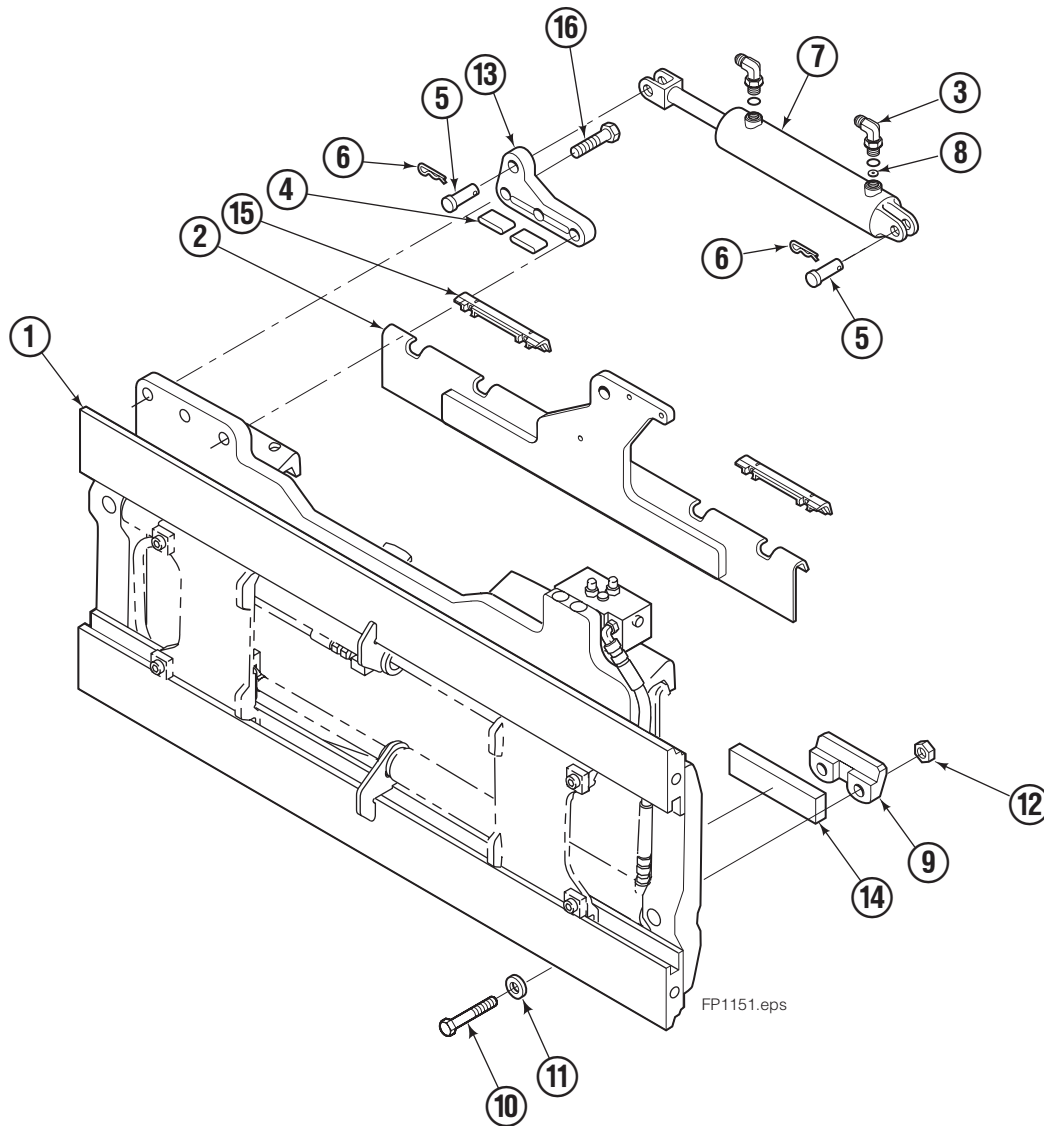
<b>120F</b>	
<b>PART NO.</b>	<b>DESCRIPTION</b>
	Parts Manual
208743	Service Manual
688261	Operators Guide
207363	Installation Instructions
680664	Servicing Cascade Cylinders-VHS
679929	Tool Catalog
673964	Literature Index Order Form

# Safety Decals



Part No. 665595  
(5) Places

# Mounting Group Sideshifting



120F							
REF	QTY	PART NO.	DESCRIPTION	REF	QTY	PART NO.	DESCRIPTION
	●	8485-11	Sideshifting Mounting	9	2	6004779	Lower Hook
1	1	6134901	Frame-49" ■	10	4	752903	Capscrew, M16 x 45
2	1	8484-1	Anchor Bracket	11	4	667225	Washer
3	2	601676	Fitting, 6-6	12	4	678990	Nut, M16
4	2	209542	Key	13	1	209309	Lug
5	2	678528	Clevis Pin	14	2	208350	Lower Bearing
6	2	672726	Cotter Pin	15	2	672018	Upper Bearing
7	1	381839	Cylinder ◆	16	3	752907	Capscrew, M20 x 50
8	1	675550	Restrictor Washer				

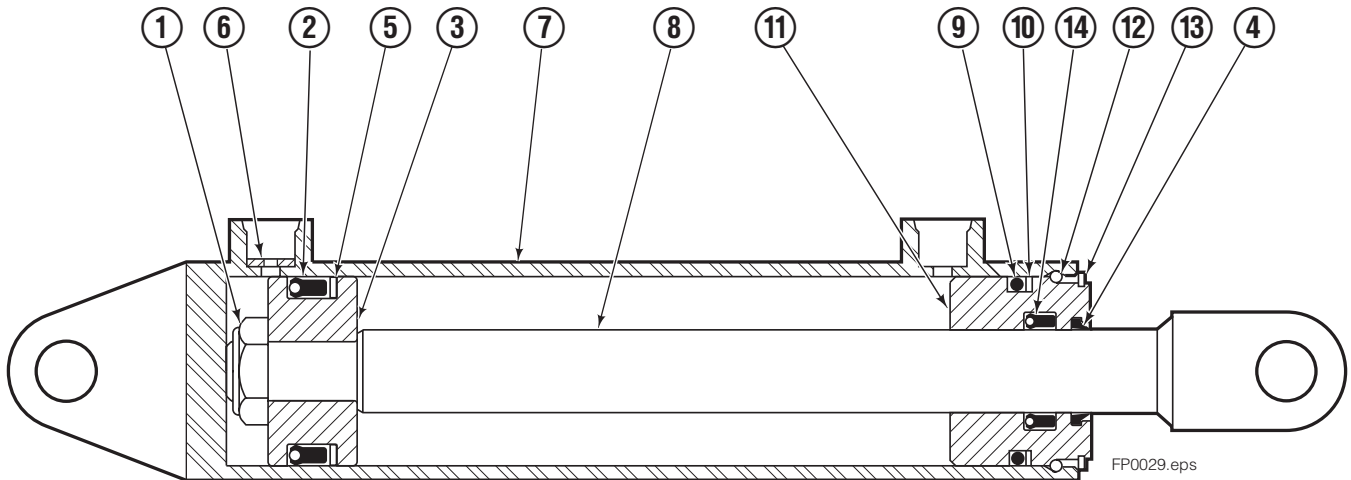
■ Carriage width.

● Includes items 2 – 16 only.

◆ See Cylinder page for parts breakdown.

Reference: S-28100, SK-12017.

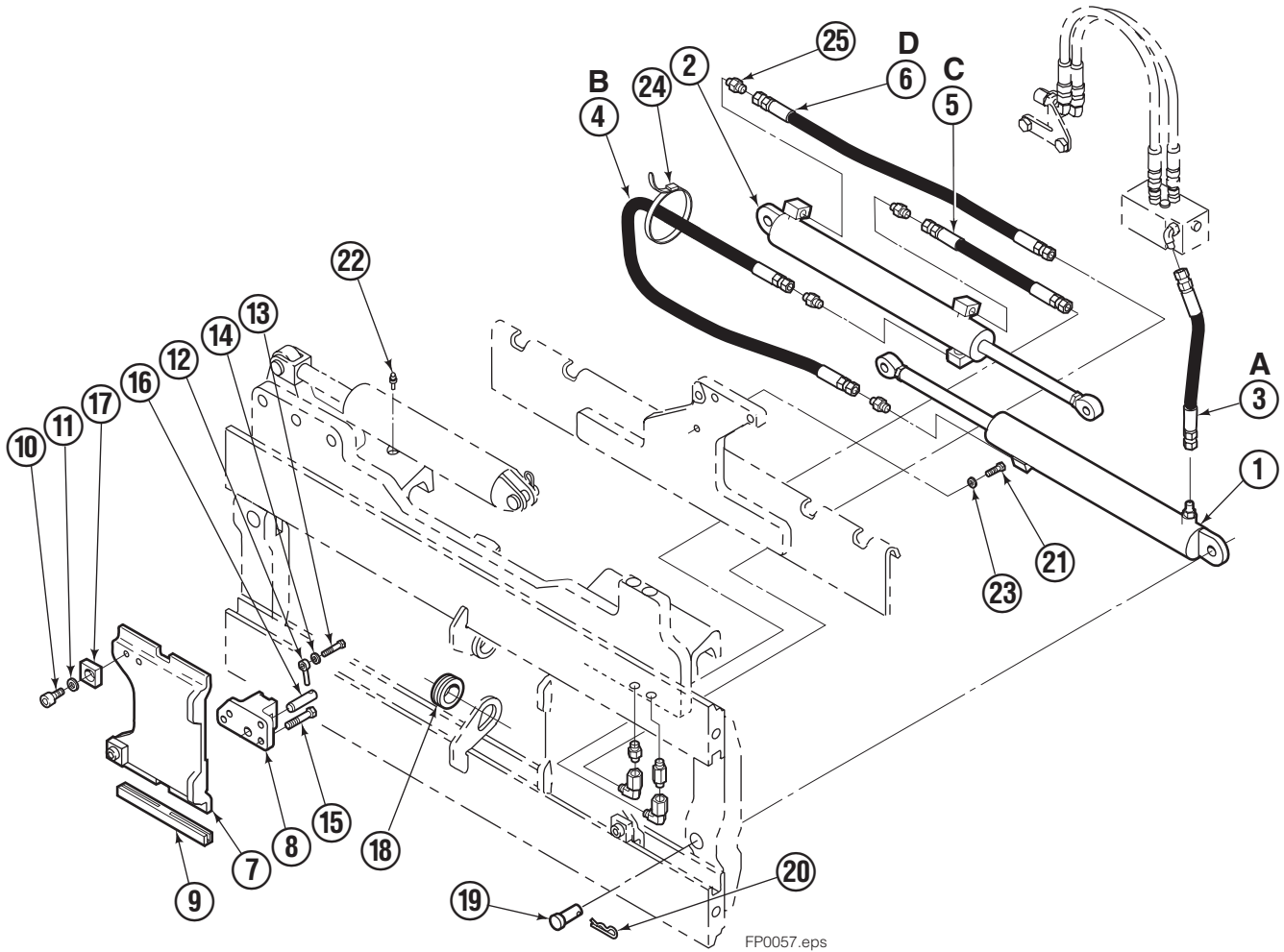
# Sideshift Cylinder Assembly



100D			
REF	QTY	PART NO.	DESCRIPTION
		381839	Cylinder Assembly
1	1	678019	Nut
2	1	662456	◆ Seal
3	1	553527	Piston
4	1	636852	◆ Wiper
5	1	649817	◆ Nylon Ring
6	1	—	Washer
7	1	6119823	Shell
8	1	6119827	Rod
9	1	2789	◆ O-Ring
10	1	615132	◆ Back-Up Ring
11	1	553528	Retainer
12	1	553688	Retaining Ring
13	1	7211	Snap Ring
14	1	662447	◆ Seal
		553866	Service Kit

◆ Included in Service Kit 553866.

# Hydraulic/Fork Group



120F							
REF	QTY	PART NO.	DESCRIPTION	REF	QTY	PART NO.	DESCRIPTION
	●	379384	Hydraulic Group	13	2	763169	Capscrew, M6 x 20
	□	6103938	Fork Group	14	2	680217	Lockwasher, M6
1	1	380741	Cylinder Assembly - LH ♦	15	8	684594	Capscrew, M10 x 20
2	1	380742	Cylinder Assembly - RH ♦	16	2	209308	Pin
3	1	686122	Hose, 21.50 in.	17	4	209306	Block
4	1	206749	Hose, 50.70 in.	18	2	209305	Grommet
5	1	209528	Hose, 15.67 in.	19	2	661675	Clevis Pin
6	1	675067	Hose, 34.00 in.	20	2	672726	Cotter Pin
7	2	6103658	Fork Carrier	21	1	200788	Capscrew, M10 x 35
8	2	209280	Lug	22	2	7403	Grease Fitting
9	4	209303	Bearing	23	1	681238	Lockwasher, M10
10	4	768838	Capscrew, M16 x 30	24	1	200008	Cable Tie
11	4	678992	Lockwasher, M16	25	6	604511	Fitting, 6-6 ▲
12	2	206923	Eyebolt				

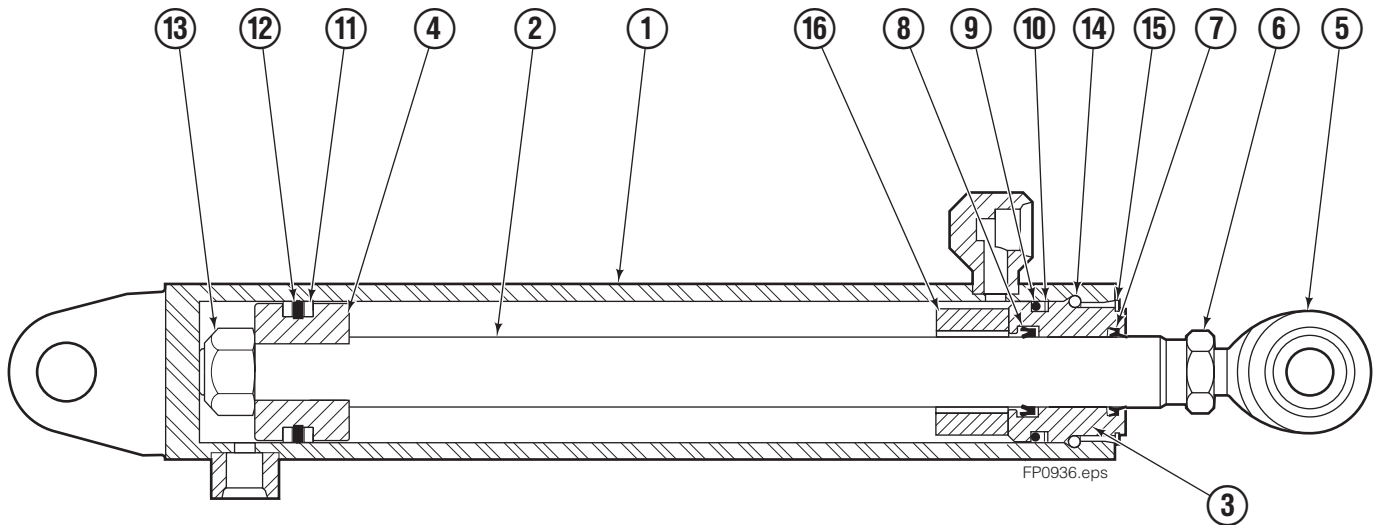
♦ See Cylinder pages for parts breakdown.  
Reference: S-4099, S-28520, SK-12017.

● Includes items 1 – 6.

□ Includes items 7 – 24.

▲ Included in Flow Divider Group 209504.

# Cylinder Assembly - Left Hand

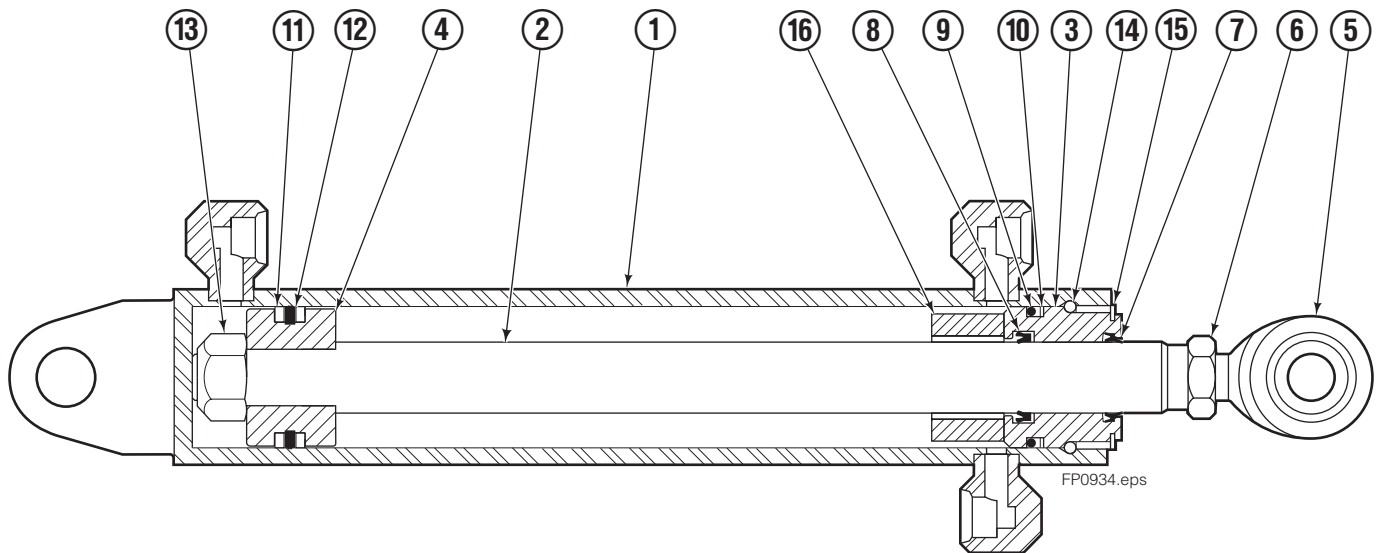


100F			
REF	QTY	PART NO.	DESCRIPTION
		380741	Cylinder Assembly
1	1	584303	Shell
2	1	584306	Rod
3	1	564451	Retainer
4	1	6111613	Piston
5	1	564452	Rod End
6	1	5721	Nut
7	1	564408	◆ Rod Wiper
8	1	564406	◆ Rod Seal
9	1	562127	◆ O-Ring
10	1	563388	◆ Back-Up Ring
11	2	563278	◆ O-Ring
12	1	564141	◆ Piston Seal
13	1	678019	Piston Nut
14	1	562942	Retaining Ring
15	1	562951	Snap Ring
16	1	584271	Spacer
		564453	Service Kit

◆ Included in Service Kit 564453.

Reference: S-6142, S-6147.

# Cylinder Assembly - Right Hand

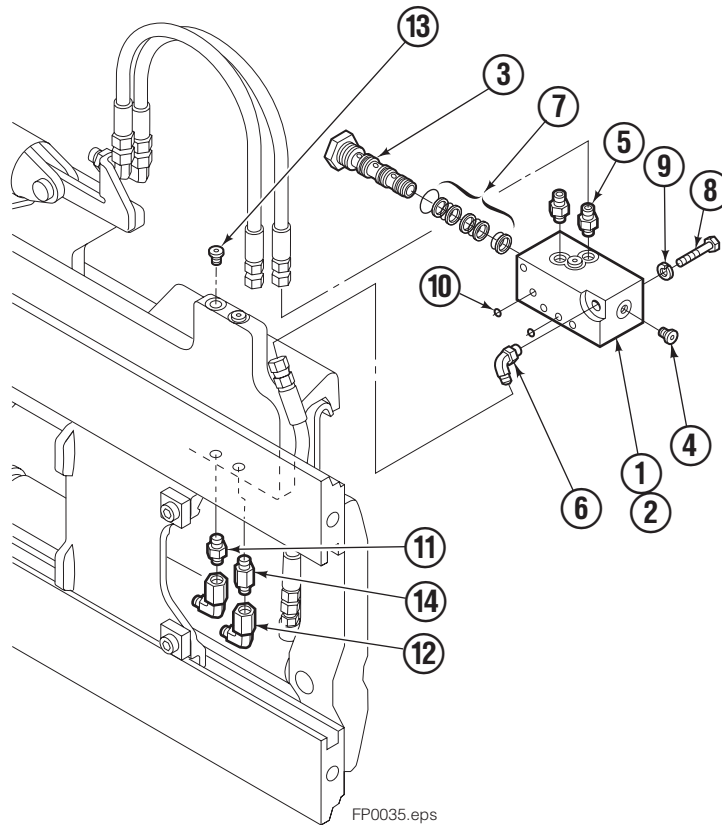


100F			
REF	QTY	PART NO.	DESCRIPTION
		380742	Cylinder Assembly
1	1	584305	Shell
2	1	584306	Rod
3	1	564451	Retainer
4	1	6111613	Piston
5	1	564452	Rod End
6	1	5721	Nut
7	1	564408	◆ Rod Wiper
8	1	564406	◆ Rod Seal
9	1	562127	◆ O-Ring
10	1	563388	◆ Back-Up Ring
11	2	563278	◆ O-Ring
12	1	564141	◆ Piston Seal
13	1	678019	Piston Nut
14	1	562942	Retaining Ring
15	1	562951	Snap Ring
16	1	584271	Spacer
		564453	Service Kit

◆ Included in Service Kit 564453.

Reference: S-6143, S-6148.

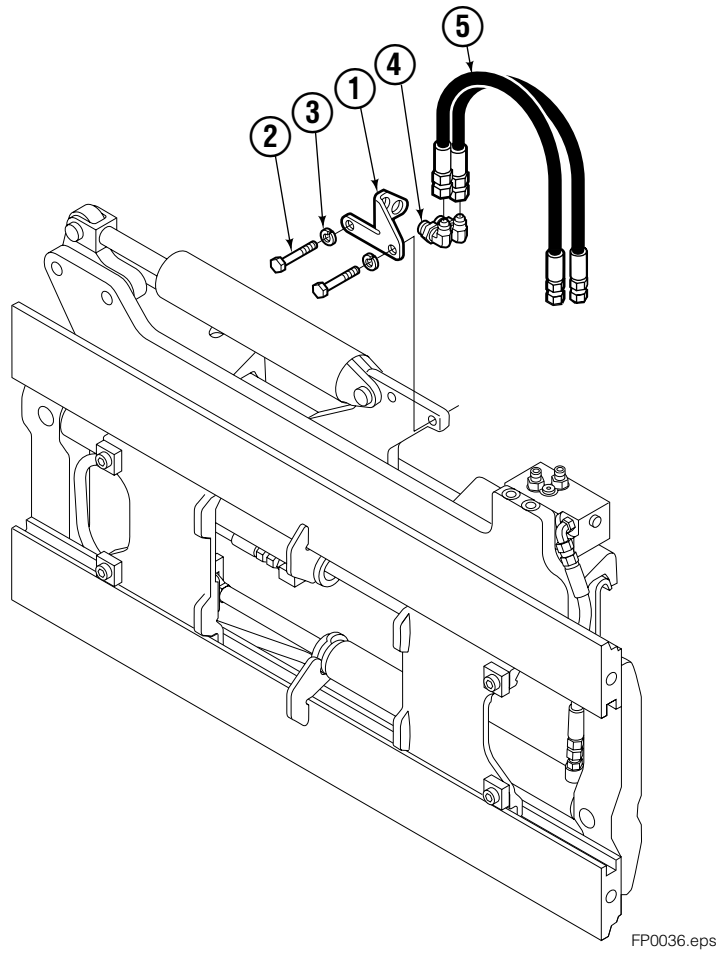
# Flow Division Group



100F			
REF	QTY	PART NO.	DESCRIPTION
		209504	Flow Division Group
1	1	209310	Valve Assembly ■
2	1	209311	Valve Body
3	1	210266	Flow Divider/Combiner
4	2	663694	Fitting, 3
5	2	604511	Fitting, 6-6
6	1	601676	Fitting, 6-6
7	1	6071170	Service Kit
8	3	768792	Capscrew, M6 x 60
9	3	678993	Lockwasher, M6
10	2	207300	O-Ring
11	6	604511	Fitting, 6-6
12	2	2680	Fitting, 6-6
13	2	604510	Fitting, 6
14	1	605743	Fitting, 6-6

■ Includes items 1 – 7.

# Standard Installation Group



120F			
REF	QTY	PART NO.	DESCRIPTION
		209506	Installation Group
1	1	207314	Bracket
2	2	762899	Capscrew, M10X20-8.8
3	2	681238	Lockwasher
4	2	2453	Fitting, 8-8
5	2	207425	Hose



**Do you have questions you need answered right now?** Call your nearest Cascade Parts Department. Visit us online at [www.cascorp.com](http://www.cascorp.com)

**Cascade Corporation  
U.S. Headquarters**  
2201 NE 201st  
Fairview, OR 97024-9718  
Tel: 800-CASCADE (227-2233)  
FAX: 888-329-8207

**Cascade Canada Inc.**  
5570 Timberlea Blvd.  
Mississauga, Ontario  
Canada L4W-4M6  
Tel: 905-629-7777  
FAX: 905-629-7785

**Cascade GmbH**  
Niederwippekühl 1  
58579 Schalksmühle  
Germany  
Tel: 02355-50900  
FAX: 02355-509020

**Cascade Finland**  
A. Petreliuksenkatu 3  
01370 Vantaa  
Finland  
Tel: 09-8361925  
FAX: 09-8361935

**Cascade N.V.  
Benelux Sales and Service**  
Damsluisweg 56  
PO Box 3009  
1300 El Almere  
The Netherlands  
Tel: 036-5492950  
FAX: 036-5492974

**Cascade Kenhar Ltd.**  
3 Kelbrook Road  
Parkhouse Ind. Estate  
Openshaw,  
Manchester M11 2DD  
England  
Tel: 0800-243015  
FAX: 0161-4384055

**Sales Scotland  
Macade Systems Ltd.**  
18 Melford Road  
Righead Ind. Estate  
Bellshill ML4 3LR  
Scotland  
Tel: 01698-845777  
FAX: 01698-845888

**Cascade (Africa) Pty. Ltd.**  
PO Box 625, Isando 1600  
60A Steel Road  
Sparton, Kempton Park  
South Africa  
Tel: 27-11-975-9240  
FAX: 27-11-394-1147

**Cascade Scandinavia AB**  
Hammarvägen 10  
PO Box 124  
S-56723 Vaggeryd  
Sweden  
Tel: 039-336950  
FAX: 039-336959

**Cascade France  
S.A.R.L. MHP**  
1D Rue De Charaintru BP 18,  
91360 Epinay-Sur-Orge  
France  
Tel: 01-6454-7500  
FAX: 01-6454-7501

**Cascade Hispania S.A.**  
Carrer 5, Sector C  
Zona Franca Duanera  
Poligono de la Zona Franca  
08040 Barcelona, Spain  
Tel: 93-264-07-30  
FAX: 93-264-07-31

**Cascade Italia S.R.L.**  
Via Dell'Artigianato 1  
37050 Vago di Lavagno (VR)  
Italy  
Tel: 39-045-8989111  
FAX: 39-045-8989160

**Movimenta Lda.**  
Parque Industrial  
Vale do Alecrim, Lote 108  
2950-403 Palmela  
Portugal  
Tel: 351-212387340  
FAX: 351-212387349

**Sales Switzerland  
Fahrzeugbedarf**  
8810, Horgen  
Switzerland  
Tel: 01-7279797  
FAX: 01-7279798

**Sales Poland**  
Targowa 35/61  
03-728 Warszawa  
Tel: 022-619 00 49  
FAX: 022-619 00 49  
Mobile Tel: 0501-27 29 55

**Sales Russia**  
EMCG Material Handling  
Equipment  
Moscow  
Tel: 095-795-2400  
FAX: 095-795-2475  
Email: [emcg@emcg.ru](mailto:emcg@emcg.ru)

**Cascade Japan Ltd.**  
5-5-41,  
Torikai Kami  
Settsu, Osaka  
Japan, 566  
Tel: 81-726-53-3490  
FAX: 81-726-53-3497

**Cascade Korea**  
121B 9L Namdong Ind.  
Complex, 691-8 Gojan-Dong  
Namdong-Ku  
Inchon, 405-310 Korea  
Tel: 82-32-821-2051  
FAX: 82-32-821-2055

**Cascade Australia**  
1445 Ipswich Road  
Rocklea, QLD 4107  
Australia  
Tel: 1-800-227-223  
FAX: 617-3373-7333

**Cascade New Zealand**  
15 Ra Ora Drive  
East Tamaki, Auckland  
New Zealand  
Tel: 64-9-273-9136  
FAX: 64-9-273-9137

**Cascade-Xiamen**  
No. 668 Yangguang Rd.  
Xinyang Industrial Zone  
Haicang, Xiamen City  
Fujian Province  
P.R. China 361026  
Tel: 86-592-651-2500  
FAX: 86-592-651-2571

**Sunstream Industries  
Pte Ltd.**  
No. 3 Tuas Link 1  
2263  
Singapore  
Tel: 65-6863-3488  
FAX: 65-6863-1368

**Cascade do Brasil  
Distribuidora de Garras  
e Garfos LTDA**  
Rua João Guerra, 134  
Macuco, Santos - SP  
Brasil 11015-130  
Tel: 55-13-2105-8800  
Fax: 55-13-2105-8899

