



Parts Manual

Model Visionary Multi-Load Handler

Serial Number 55E-FD-119

cascade®

For Technical Assistance and to Order Parts . . .

Call: 1-800-CASCADE or 503-669-6300

OR

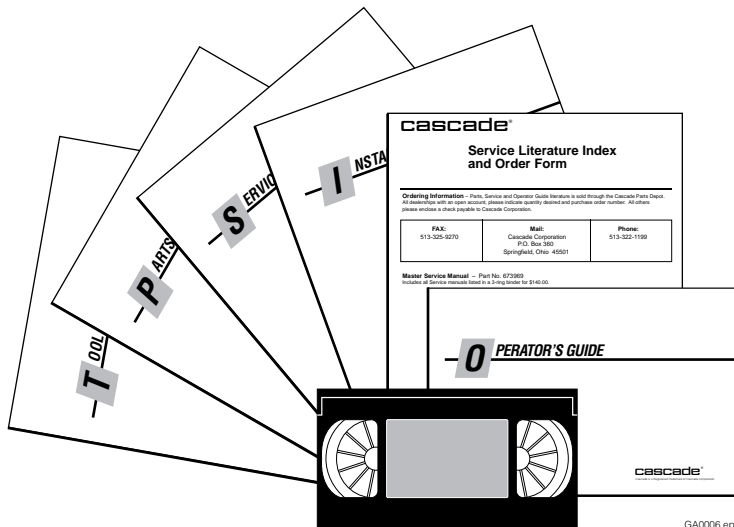
Write: Cascade Corporation, P.O. Box 20187, Portland, OR 97294-0187

Decals



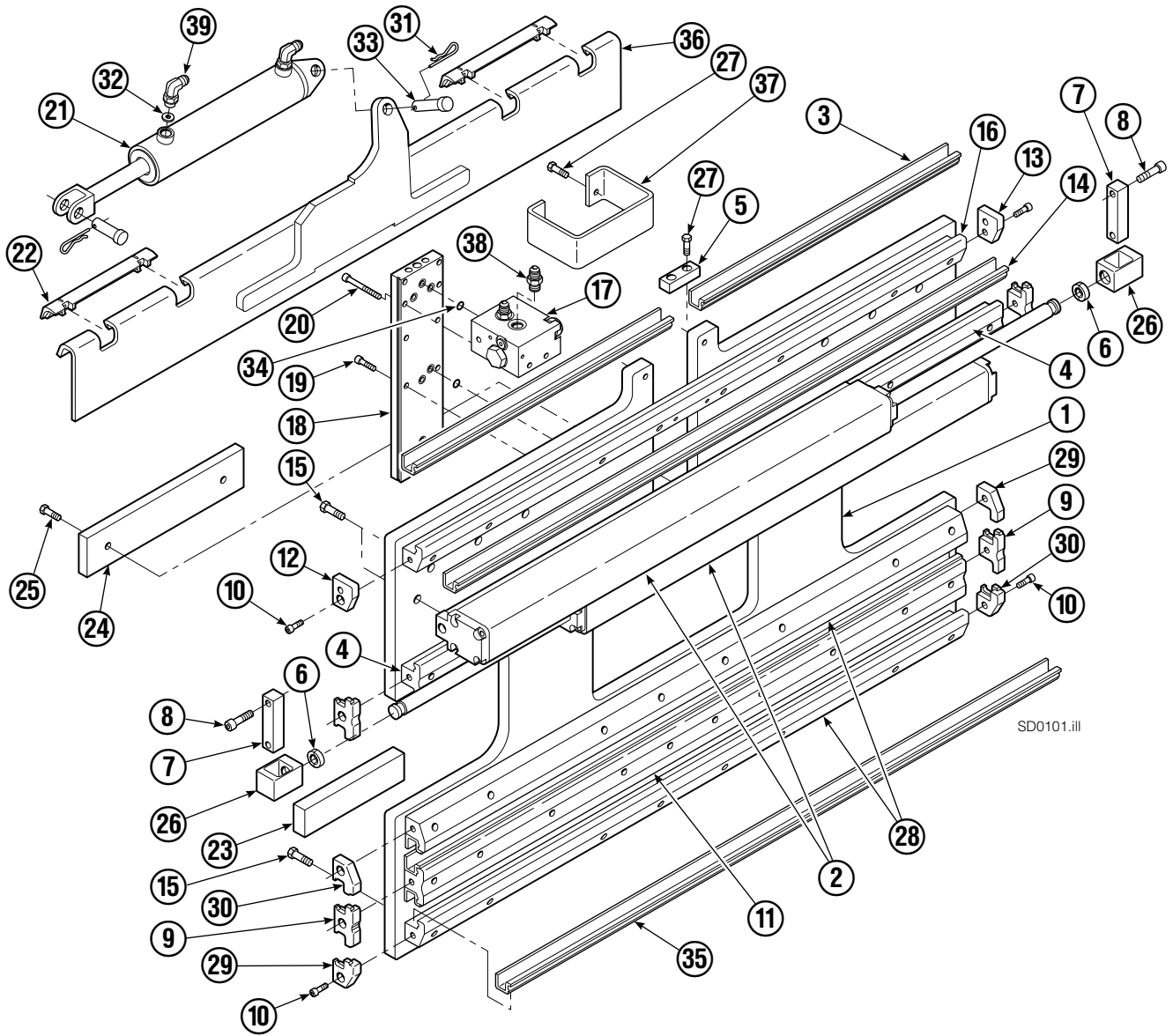
| 55E | | | |
|-----|-----|----------|--------------------|
| REF | QTY | PART NO. | DESCRIPTION |
| 1 | 6 | 665595 | No Hand Hold Decal |
| 2 | 4 | 679150 | No Step Decal |

Publications



| 55E | |
|----------|-----------------------------|
| PART NO. | DESCRIPTION |
| | Parts Manual |
| 213580 | Operator's Guide |
| 213372 | Installation Instructions |
| 679929 | Tool Catalog |
| 673964 | Literature Index Order Form |

Base Unit Group – ITA Class III



Base Unit Group – ITA Class III

| 55E | | | |
|-----|-----|-----------|-----------------------------|
| REF | QTY | PART NO. | DESCRIPTION |
| | | 214638 | Base Unit Group – Class III |
| 1 | 1 | 212424 | Baseplate Class – III |
| 2 | 2 | 214626 | Frame Cylinder ★ |
| 3 | 1 | 4730-1168 | Bearing Segment |
| 4 | 2 | 214630 | T-Bar – Upper |
| 5 | 1 | — | Fork Stop |

Common Parts

| REF | QTY | PART NO. | DESCRIPTION | REF | QTY | PART NO. | DESCRIPTION |
|-----|-----|-----------|----------------------------|-----|-----|-----------|--------------------|
| 6 | 4 | 210490 | Retainer Half Ring ■ | 23 | 2 | 208350 | Lower Bearing |
| 7 | 2 | 210489 | Rod End Anchor ■ | 24 | 1 | 212740 | Spacer Block |
| 8 | 4 | 768303 | Capscrew, M10 x 35 ■ | 25 | 2 | 767615 | Capscrew, M10 x 25 |
| 9 | 4 | 210140 | Bearing Retainer | 26 | 2 | 209741 | Rod End ■ |
| 10 | 10 | 787375 | Capscrew, M8 x 20 GR 8.8 | 27 | 2 | 684649 | Capscrew, M10 x 25 |
| 11 | 1 | 214632 | T-Bar – Lower | 28 | 2 | 214634 | T-Bar – Lower |
| 12 | 1 | 211380 | Retainer/Stop – RH | 29 | 2 | 212585 | Bearing Retainer |
| 13 | 1 | 211379 | Retainer/Stop – LH | 30 | 2 | 212586 | Bearing Retainer |
| 14 | 4 | 4730-1170 | Bearing Segment | 31 | 2 | 672726 | Cotter Pin |
| 15 | 52 | 211689 | Capscrew, M12 x 30 GR 10.9 | 32 | 1 | 675550 | Washer |
| 16 | 1 | 214636 | T-Bar – Upper | 33 | 2 | 678525 | Clevis Pin |
| 17 | 1 | 212566 | Valve Assembly ▲ | 34 | 7 | 214053 | O-Ring |
| 18 | 1 | 211456 | Manifold | 35 | 4 | 4730-1180 | Bearing Segment |
| 19 | 6 | 768208 | Capscrew, M8 x 25 | 36 | 1 | 211371 | Anchor Bracket |
| 20 | 4 | 768795 | Capscrew, M8 x 60 | 37 | 1 | 212741 | Valve Guard |
| 21 | 1 | 675548 | Sideshift Cylinder ● | 38 | 2 | 604511 | Fitting, 6-6 |
| 22 | 2 | 672018 | Upper Bearing | 39 | 2 | 601676 | Fitting, 6-6 |

★ See Frame Cylinder page for parts breakdown.

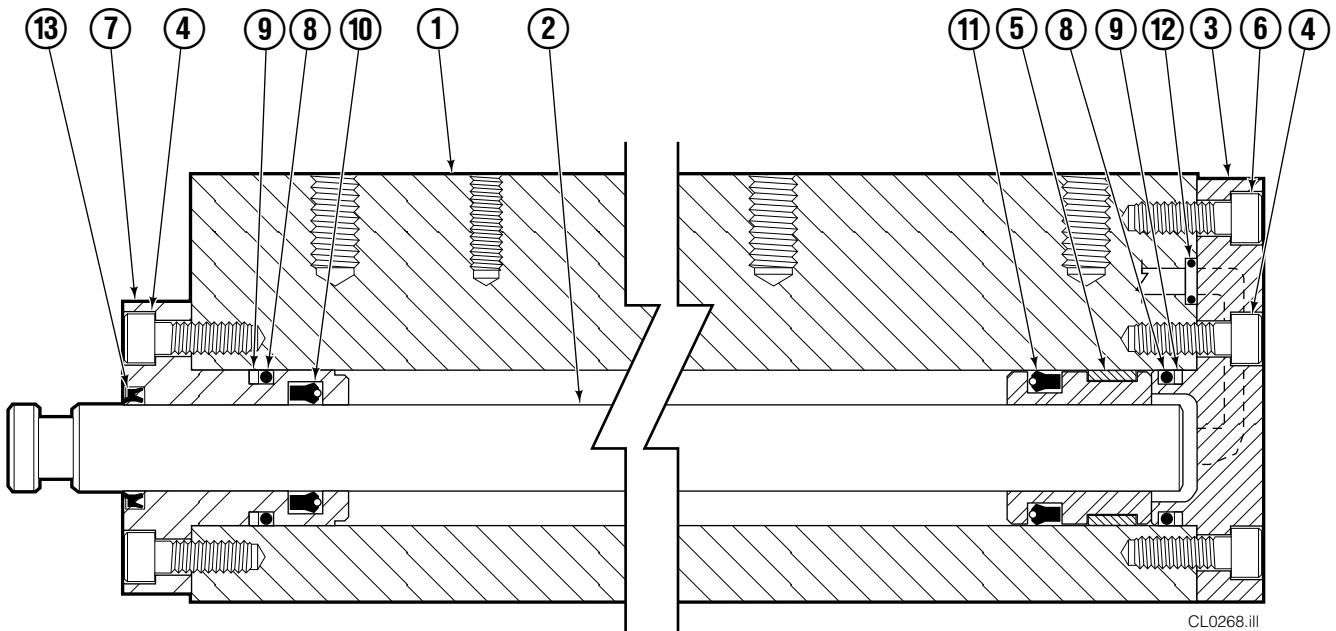
▲ See Valve Assembly – Class III page for parts breakdown.

■ Included in Cylinder Rod Anchor Kit 213856.

● See Sideshift Cylinder page for parts breakdown.

Reference: SK-6131.

Cylinder

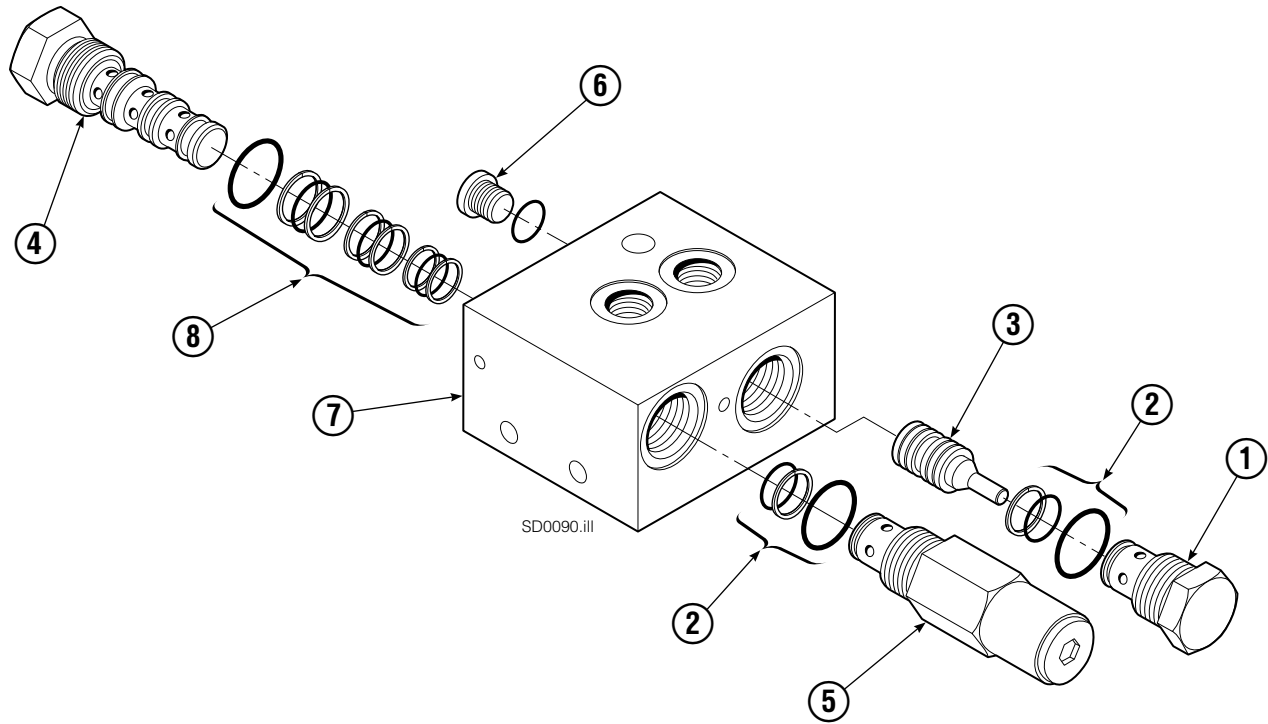


| REF | QTY | PART NO. | DESCRIPTION | REF | QTY | PART NO. | DESCRIPTION |
|-----|-----|----------|-------------------|-----|-----|----------|----------------|
| | | 214626 | Cylinder Assembly | 8 | 2 | 210053 | O-Ring ▲ |
| 1 | 1 | 214627 | Cylinder/Shell | 9 | 2 | 210050 | Back-Up Ring ▲ |
| 2 | 1 | 4157-820 | Rod | 10 | 1 | 212477 | Seal ▲ |
| 3 | 1 | 213783 | Cap | 11 | 1 | 209808 | Seal ▲ |
| 4 | 8 | 768208 | Capscrew, M8 x 25 | 12 | 2 | 214053 | O-Ring ▲ |
| 5 | 1 | 209809 | Bearing ▲ | 13 | 1 | 562131 | Wiper ▲ |
| 6 | 1 | 787375 | Capscrew, M8 x 20 | | | 210090 | Service Kit |
| 7 | 1 | 212452 | Retainer | | | | |

▲ Included in Service Kit 210090.

Reference: S-4644, S-4643.

Valve ITA Class III



| 55E | | | |
|-----|-----|----------|------------------------|
| REF | QTY | PART NO. | DESCRIPTION |
| | | 212566 | Valve Assembly |
| 1 | 1 | 209847 | Check Valve |
| 2 | 2 | 682170 | Service Kit ▲ |
| 3 | 1 | 210265 | Piston |
| 4 | 1 | 210266 | Flow Divider/Combiner |
| 5 | 1 | 213535 | Crossover Relief Valve |
| | | 609234 | Fitting, 4 |
| 7 | 1 | 211454 | Valve Body |
| 8 | 1 | 679992 | Service Kit ▲ |
| | | 213604 | Valve Service Kit |

▲ Included in Valve Service Kit 213604.

Sideshift Cylinder

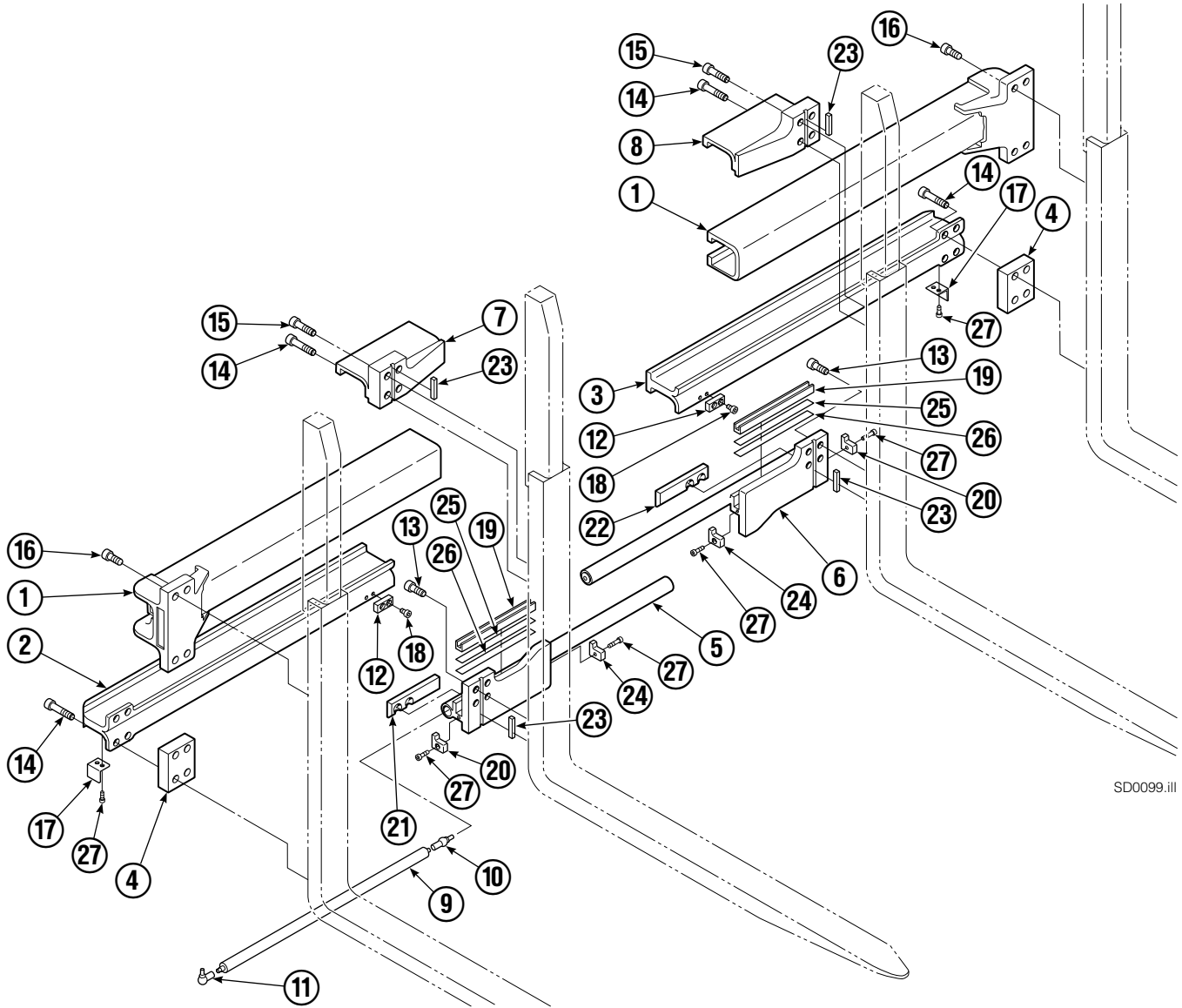


FP0079.ill

| REF | QTY | PART NO. | DESCRIPTION |
|------|-----|----------|-----------------------|
| | | 675548 | Cylinder Assembly |
| 1 | 1 | 553857 | Nut |
| ■ 2 | 1 | 662452 | Seal |
| 3 | 1 | 553501 | Piston |
| ■ 4 | 1 | 636851 | Wiper |
| ■ 5 | 1 | 638247 | Back-up Ring |
| 6 | 1 | 675550 | Washer (orifice .085) |
| 7 | 1 | 675549 | Shell |
| 8 | 1 | 553449 | Rod |
| ■ 9 | 1 | 2785 | O-Ring |
| ■ 10 | 1 | 615128 | Back-up Ring |
| 11 | 1 | 553500 | Retainer |
| 12 | 1 | 553856 | Retaining Ring |
| 13 | 1 | 7202 | Snap Ring |
| ■ 14 | 1 | 641835 | Seal |
| 15 | 1 | --- | Spacer |
| | | 553861 | Service Kit |

■ Included in Service Kit 553861.

Arm Group



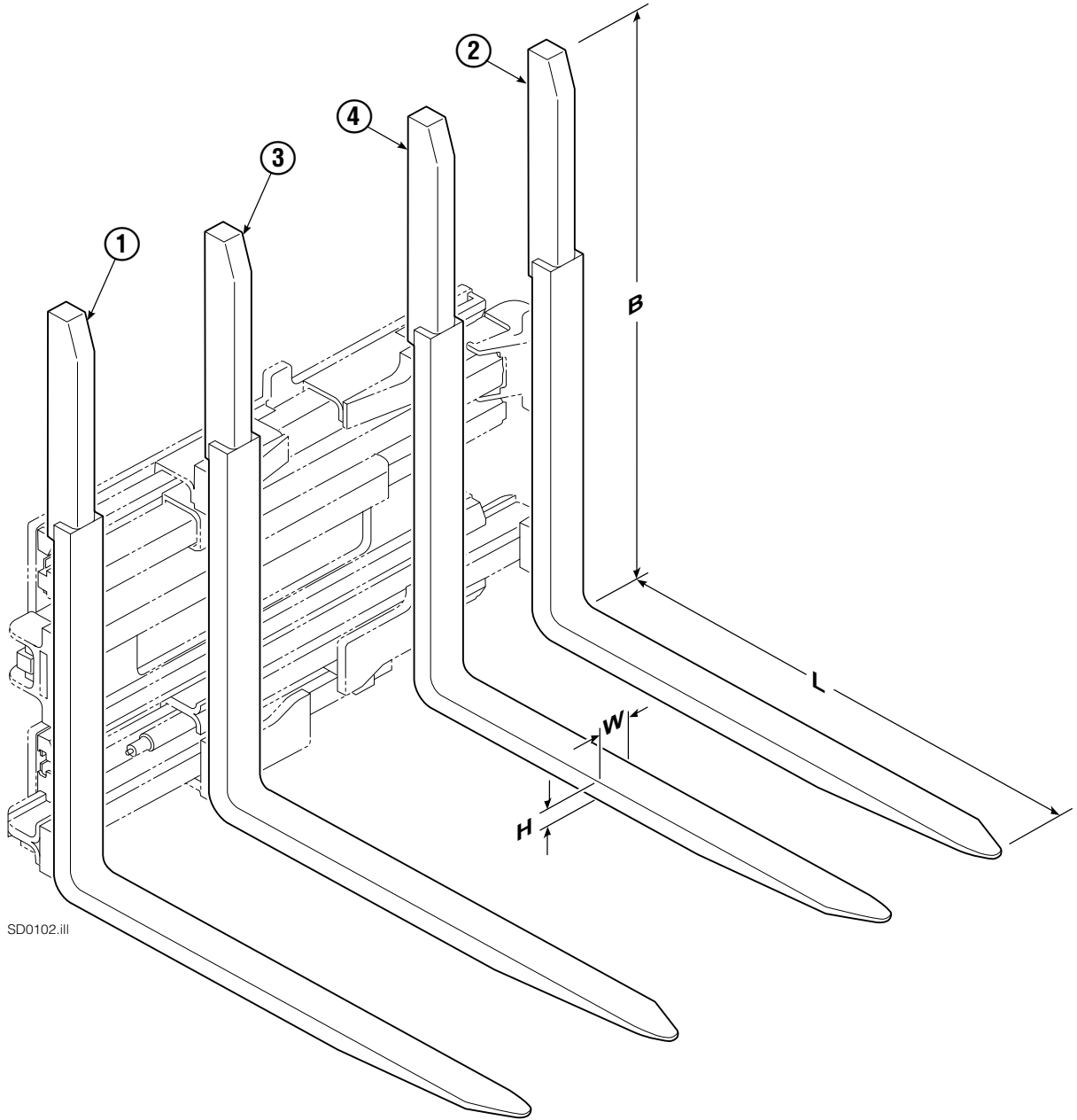
SD0099.ill

| 55E | | | | | | | |
|-----|-----|-----------|--------------------|-----|-----|-----------|------------------------|
| REF | QTY | PART NO. | DESCRIPTION | REF | QTY | PART NO. | DESCRIPTION |
| | | 212579 | Arm Group | 14 | 12 | 769578 | Capscrew, M16 x 60 |
| 1 | 2 | 4316-0814 | Upper Arm Bar | 15 | 4 | 769577 | Capscrew, M16 x 50 |
| 2 | 1 | 212629 | Lower Arm Bar - RH | 16 | 8 | 769573 | Capscrew, M16 x 30 |
| 3 | 1 | 212628 | Lower Arm Bar - LH | 17 | 2 | 213022 | Guard |
| 4 | 2 | 210587 | Spacer | 18 | 4 | 214414 | Capscrew |
| 5 | 1 | 213078 | Lower Hook - RH | 19 | 2 | 4501-0222 | Bearing Segment |
| 6 | 1 | 213081 | Lower Hook - LH | 20 | 2 | 212979 | Bearing Retainer |
| 7 | 1 | 213087 | Upper Hook - RH | 21 | 1 | 212682 | Bearing - RH |
| 8 | 1 | 213086 | Upper Hook - LH | 22 | 1 | 213899 | Bearing - LH |
| 9 | 2 | 212683 | Gas Spring ▲ | 23 | 4 | 213364 | Key |
| 10 | 2 | 213011 | Ball Joint ▲ | 24 | 2 | 213360 | Bearing Retainer |
| 11 | 2 | 213012 | Ball Joint ▲ | 25 | 4 | 212559 | Shim, .04 in. (.1 mm) |
| 12 | 2 | 212687 | Lower Fork Stop | 26 | 4 | 213913 | Shim, .020 in. (.5 mm) |
| 13 | 8 | 769574 | Capscrew, M16 x 35 | 27 | 8 | 787375 | Capscrew, M8 x 20 |

▲ Included in Gas Spring Kit 213855.

Reference: SK-6116.

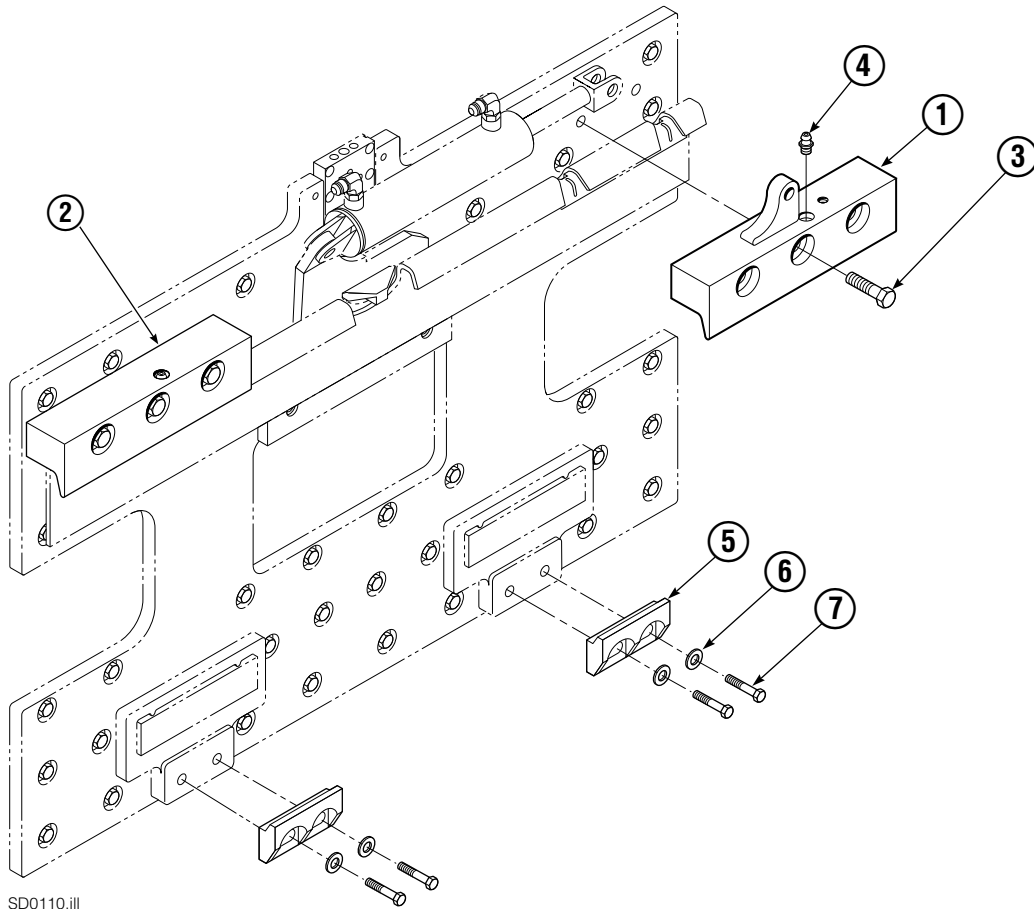
Tube Backrest/Fork Group



SD0102.iii

| 55E | | | | | | | | |
|------------|-----|-----|----|------------------------|---------------|---------------|---------------|---------------|
| SIZE (IN.) | | | | FORK GROUP PART NO. | REF 1 | REF 2 | REF 3 | REF 4 |
| L | W | H | B | | Outer Fork-RH | Outer Fork-LH | Inner Fork-RH | Inner Fork-LH |
| 42.1 | 3.2 | 1.8 | 48 | 212605 | 212761 | 212760 | 212801 | 212800 |

Mounting Group ITA Class III



SD0110.iii

| 55E | | | |
|-----|-----|----------|--------------------|
| REF | QTY | ITA III | DESCRIPTION |
| | | PART NO. | |
| | | 212574 | Upper Hook Group ▲ |
| | | 391335 | Lower Hook Group ★ |
| 1 | 1 | 211375 | Upper Hook - RH |
| 2 | 1 | 210592 | Upper Hook - LH |
| 3 | 6 | 796631 | Cap screw, M16x65 |
| 4 | 2 | 7403 | Grease Fitting |
| 5 | 2 | 675969 | Lower Hook |
| 6 | 4 | 667225 | Washer |
| 7 | 4 | 779009 | Cap screw |

▲ Includes items 1, 2 and 3.

★ Includes items 5, 6 and 7.

Reference: SK-6116.

Do you have questions you need answered right now? Call your nearest Cascade Parts Department.

Cascade Corporation
2501 Sheridan Avenue
Springfield, OH 45505
Tel: 888-CASCADE (227-2233)
FAX: 888-329-0234

Cascade Canada Inc.
5570 Timberlea Blvd.
Mississauga, Ontario
Canada L4W-4M6
Tel: 905-629-7777
FAX: 905-629-7785

Cascade GmbH
D-41 199 Monchengladbach
Klosterhofweg 52
Germany
Tel: 21-66-602091
FAX: 21-66-680947

Cascade Finland
01370 Vantas
Finland
Tel: 358-0-836-1925
FAX: 358-0-836-1935

**Cascade N.V.
European Headquarters**
P.O. Box 3009
1300 El Almere
Damsluisweg 56
1332 ED Almere
The Netherlands
Tel: 31-36-5492911
FAX: 31-36-5492964

**Cascade N.V.
Benelux Sales and Service**
P.O. Box 3009
1300 El Almere
Damsluisweg 56
1332 ED Almere
The Netherlands
Tel: 31-36-5492950
FAX: 31-36-5492974

Cascade (UK) Ltd.
15, Orgreave Crescent
Dore House Industrial Estate
Handsworth
Sheffield S13 9NQ
England
Tel: 742-697524
FAX: 742-695121

**Cascade Scandinavia
Hydraulik A.B.**
Muskötgatan 19, E8-9
S25466 Helsingborg
Sweden
Tel: 42-151135
FAX: 42-152997

Cascade Norway
Østerliveien 37A
1153 Oslo
Norway
Tel: 47-22-743160
FAX: 47-22-743157

Cascade France S.A.R.L.
11, Rue Jean Charcot
Zone Industrielle Sud or
B.P. 22
91421 Morangis Cedex
France
Tel: 1- 64547501
FAX: 1-9790584

Cascade Hispania S.A.
Avenida De La Fabregada, 7
Hospitalet De Llobregat
Barcelona
Spain
Tel: 3-335-5158
FAX: 3-335-4756

Cascade Japan Ltd.
5-5-41,
Torikai Kami
Settsu, Osaka
Japan, 566
Tel: 81-726-53-3490
FAX: 81-726-53-3497

Cascade Korea
Room 508, Pum Yang Bldg.
750-14, Bang Bac-Dong
Se-Cho Ku, Seoul
Korea
Tel: 2599-7131 ext. 512
FAX: 2533-8089

HYCO-Cascade Pty. Ltd.
1445 Ipswich Road
Rocklea,
Queensland 4107
Australia
Tel: 3-274-2722
FAX: 3-274-3456

HYCO-Cascade (NZ) Ltd.
15 Ra Ora Drive, East Tamaki
P.O. Box 38-440
Howick, Auckland
New Zealand
Tel: 9-273-9136
FAX: 9-273-9137

Cascade (Africa) Pty. Ltd.
P.O. Box 625, Isando 1600
60A Steel Road
Sparton, Kempton Park
South Africa
Tel: 975-9240
FAX: 394-1147

Cascade-Xiamen
Wanshan No. 1 Workshop
Huli Road
Xiamen 361006
Fujian, PRC
Tel: 592-562-4600
FAX: 592-562-4671

**Cascade (Singapore)
Trading Co.**
Four Seasons Park
Autumn Block - Apt. 1802
12 Cascaden Walk
Singapore
Tel: 65-834-1935
FAX: 65-834-1936

