



Parts Manual

Model 35D Fork Clamp

Serial Number 35D-CFS-126

cascade[®]
corporation

For Technical Assistance call: 800-227-2233, Fax: 888-329-8207

To Order Parts call: 888-227-2233, Fax: 888-329-0234

OR

Write: Cascade Corporation, P.O. Box 20187, Portland, OR 97220

Internet: www.cascorp.com

Safety Decals



| REF | QTY | PART NO. | DESCRIPTION |
|-----|-----|----------|--------------------|
| 1 | 2 | 665595 | No Hand Hold Decal |
| 2 | 2 | 679150 | No Step Decal |

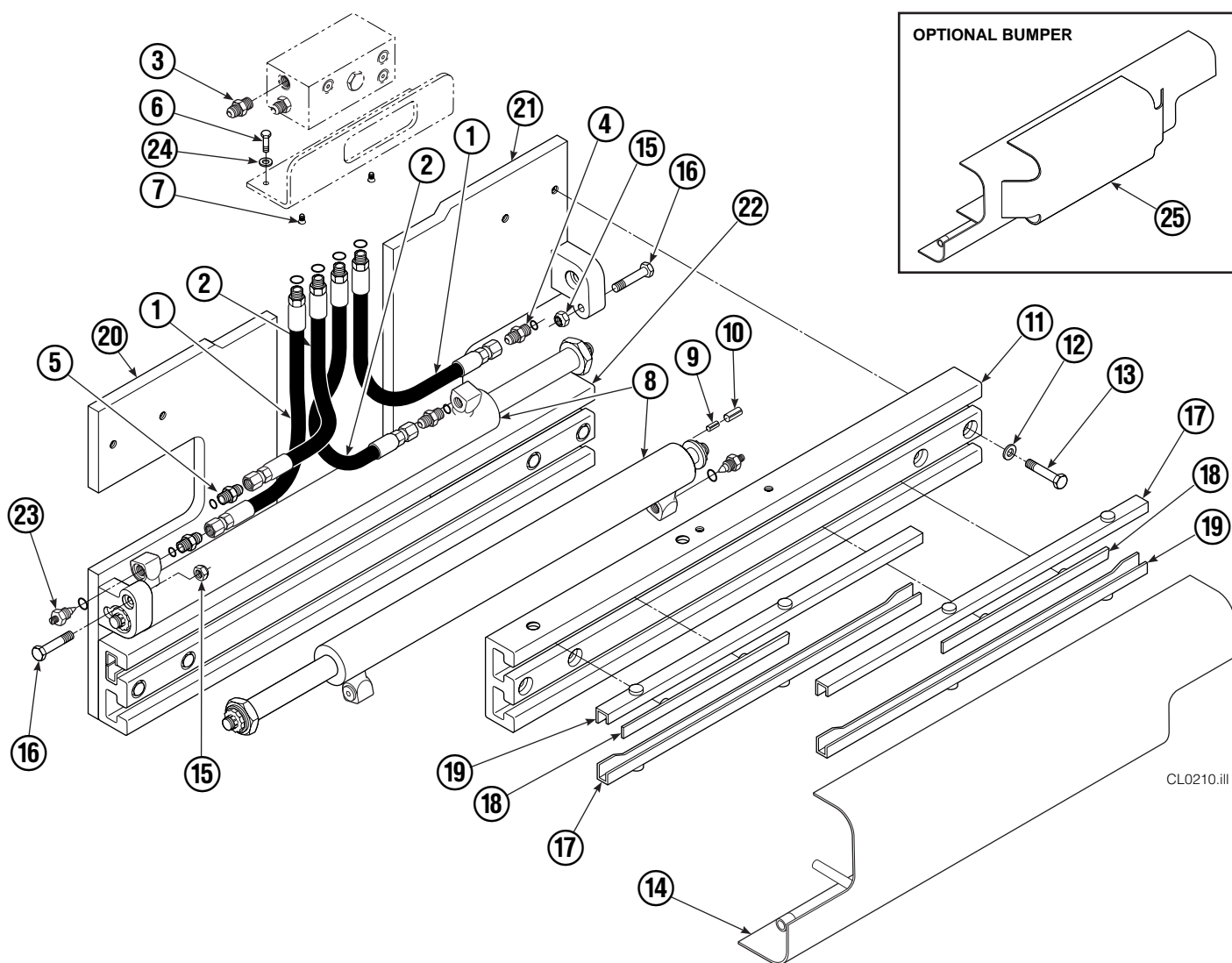


Publications



| PART NO. | DESCRIPTION |
|----------|---------------------------------|
| 672362 | Service Manual |
| 672903 | Operators Guide |
| 672361 | Installation Instructions |
| 680664 | Servicing Cascade Cylinders-VHS |
| 679929 | Tool Catalog |
| 673964 | Literature Index Order Form |

Base Unit Group



CL0210.ill

| 35D | | | | | | | |
|-----|-----|----------|------------------------|-----|-----|----------|-------------------------|
| REF | QTY | PART NO. | DESCRIPTION | REF | QTY | PART NO. | DESCRIPTION |
| | | 680641 | Base Unit Group | 13 | 8 | 667909 | Capscrew |
| 1 | 2 | 210438 | Hose, 22.00 in. | 14 | 1 | 667908 | Bumper |
| 2 | 2 | 210437 | Hose, 17.25 in. | 15 | 2 | 665707 | Nut, 1/2 in. ID |
| 3 | 1 | 601377 | Fitting, 8-8 | 16 | 2 | 633523 | Capscrew, 1/2 NC x 2.50 |
| 4 | 2 | 686369 | Fitting | 17 | 4 | 668910 | Bearing |
| 5 | 2 | 611288 | Fitting, 6-8 | 18 | 4 | 667663 | Bearing |
| 6 | 2 | 671222 | Capscrew, 3/8 NC x .75 | 19 | 4 | 668911 | Bearing |
| 7 | 2 | 4750 | Capscrew, 3/8 NC x .75 | 20 | 1 | 680623 | Mounting Plate - RH |
| 8 | 2 | 667911 | Cylinder ▲ | 21 | 1 | 680624 | Mounting Plate - LH |
| 9 | 2 | 7861 | Roll Pin - Inner | 22 | 1 | 674166 | Frame - Lower |
| 10 | 2 | 7962 | Roll Pin - Outer | 23 | 2 | 667609 | Restrictor Cartridge ● |
| 11 | 1 | 667904 | Frame - Upper | 24 | 2 | 6230 | Washer |
| 12 | 8 | 667910 | Washer | 25 | 1 | 671519 | Optional Bumper |

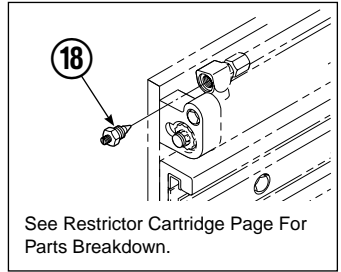
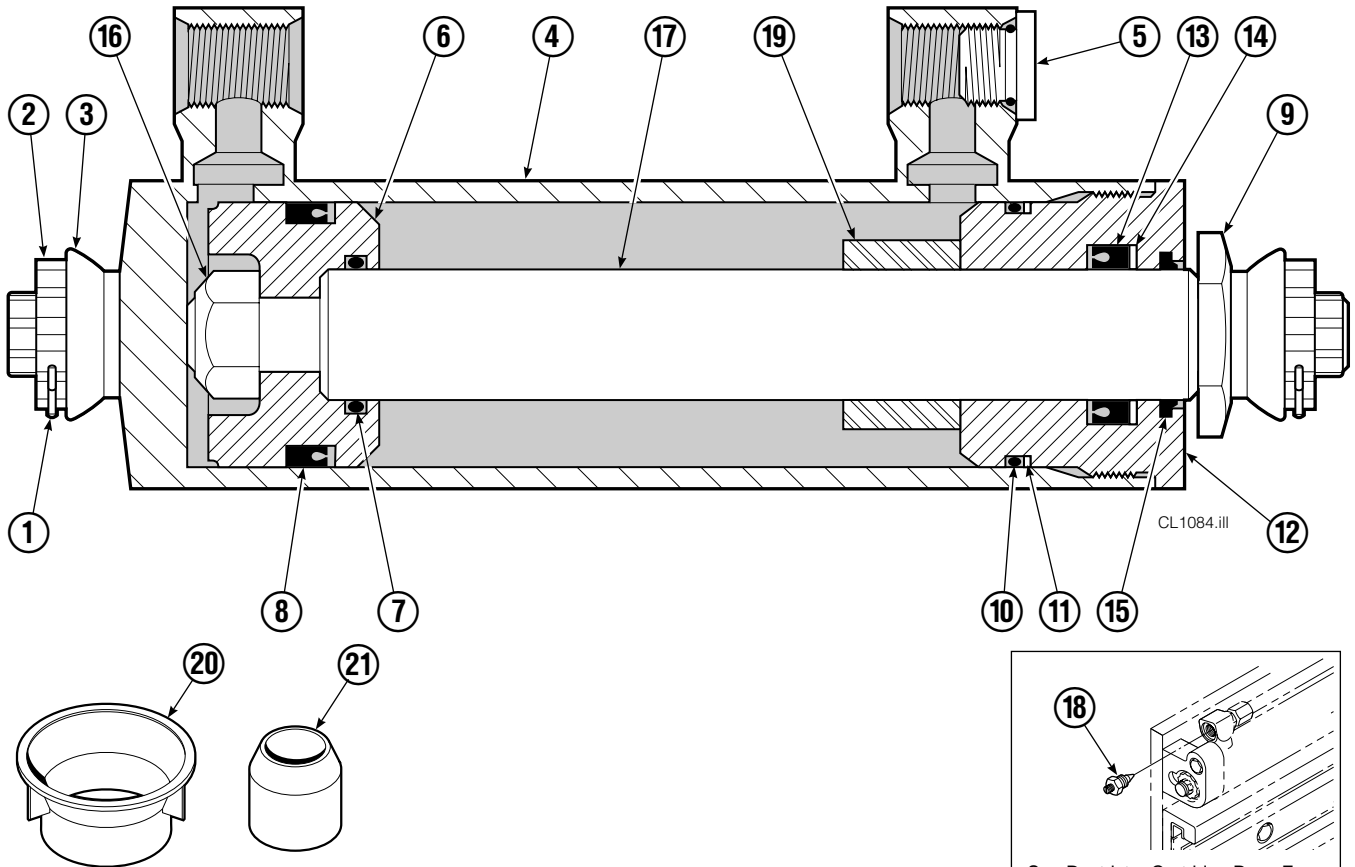
▲ See Cylinder page for parts breakdown.

● Not included in Base Unit Group.

See Restrictor Cartridge page for parts breakdown.

Reference: SK-5301, Common Parts Group 680838.

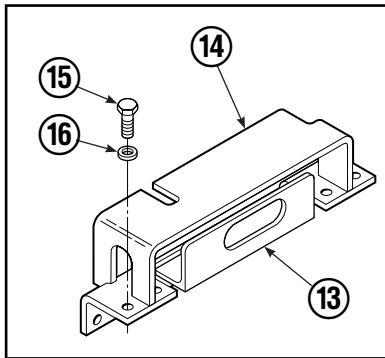
Cylinder



| 35D | | | |
|-----|-----|----------|-------------------------|
| REF | QTY | PART NO. | DESCRIPTION |
| | | 667911 | Cylinder Assembly |
| 1 | 2 | 6510 | ■ Cotter Pin |
| 2 | 2 | 667624 | ■ Nut Retainer |
| 3 | 2 | 667625 | ■ Nut |
| 4 | 1 | 553758 | Shell |
| 5 | 1 | 602580 | Fitting |
| 6 | 1 | 558400 | Piston |
| 7 | 1 | 2716 | ▲ O-Ring |
| 8 | 1 | 662454 | ▲ Seal |
| 9 | 1 | 667626 | Washer |
| 10 | 1 | 2787 | ▲ O-Ring |
| 11 | 1 | 615130 | ▲ Back-Up Ring |
| 12 | 1 | 667917 | Retainer |
| 13 | 1 | 662448 | ▲ Seal |
| 14 | 1 | 638243 | ▲ Nylon Ring |
| 15 | 1 | 636853 | ▲ Wiper |
| 16 | 1 | 668031 | Nut |
| 17 | 1 | 667914 | Rod |
| 18 | 2 | 667609 | Restrictor Cartridge ● |
| 19 | 1 | — | Spacer |
| 20 | 1 | 671049 | ▲ Seal Loader, Piston |
| 21 | 1 | 671052 | ▲ Seal Loader, Retainer |
| | | 667995 | Service Kit |

- ▲ Included in Service Kit 667995.
 - Included in Nut Service Kit 668926.
 - Not included in Cylinder Assembly.
- Reference: S-7662.

Valve Group Sideshift



| REF | QTY | PART NO. | DESCRIPTION | REF | QTY | PART NO. | DESCRIPTION |
|-----|-----|----------|---------------------------|-----|-----|----------|---------------------------------|
| | | 668915 | Valve Group – Sideshift | 10 | 1 | 678270 | Check Valve – VPO |
| | | 668865 | Check Valve – Sideshift ▲ | 11 | 2 | 604511 | Fitting, 6-6 |
| 1 | 1 | 667490 | Special Fitting | 12 | 2 | 667609 | Restrictor Cartridge |
| 2 | 1 | 2841 | O-Ring ● | 13 | 1 | 669999 | Bracket |
| 3 | 1 | 667471 | Spool | 14 | 1 | 670002 | Guard – 25D/35D |
| 4 | 3 | 609455 | Fitting, 5 | 14 | 1 | 670000 | Guard – 50D |
| 5 | 1 | 668866 | Valve Body | 14 | 1 | 200812 | Guard – 40D |
| 6 | 1 | 604510 | Fitting, 6 | 15 | 4 | 677828 | Capscrew, 1/2 NC x 1.00 |
| 7 | 2 | 667516 | Service Kit ● | 16 | 4 | 667910 | Washer |
| 8 | 1 | 661347 | Service Kit ● | 17 | 1 | 676343 | Regeneration Elimination Plug ■ |
| 9 | 2 | 659058 | Check Valve – PO | | | 668868 | Service Kit |

▲ Includes items 1– 10 only.

● Included in Service Kit 668868.

■ For eliminating regeneration circuit only. See Tech. Bulletin 121.

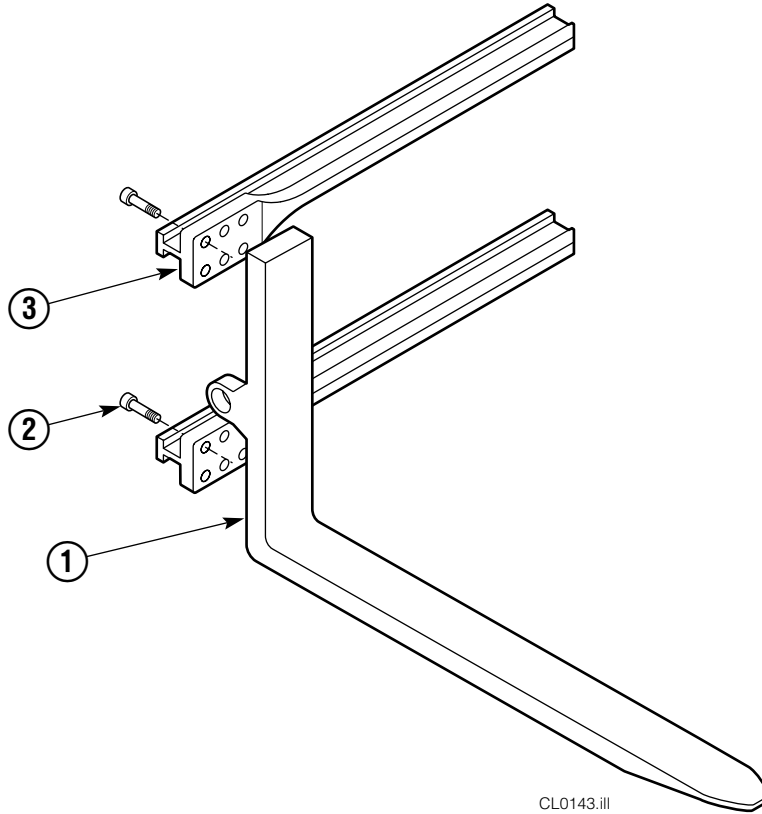
Reference: SK-5302, Valve Guard Groups 670005, 670006.

Restrictor Cartridge



| REF | QTY | PART NO. | DESCRIPTION |
|-----|-----|----------|----------------------|
| | | 667609 | Restrictor Cartridge |
| 1 | 1 | 2701 | O-Ring |
| 2 | 1 | 667611 | Plunger |
| 3 | 1 | 2841 | O-Ring |
| 4 | 1 | 667610 | Plug - Special |
| 5 | 1 | 5716 | Jam Nut |

Bolt-On Pallet Forks



ARM CAPSCREW EXTENSION TOOL
Required for proper torquing of capscrews



35D

667699

| 35D | | | |
|-----|-----|----------|-----------------------------|
| REF | QTY | PART NO. | DESCRIPTION |
| | | ●365098 | Pallet Fork Assembly (pair) |
| 1 | 1 | 365100 | Pallet Fork – LH |
| | 1 | 365099 | Pallet Fork – RH |
| 2 | 24 | 607105 | Capscrew |
| 3 | 4 | 667905 | Arm Bar |

● Includes items 1 & 2 only.

Mounting Plates with Bolt-On Upper Hooks

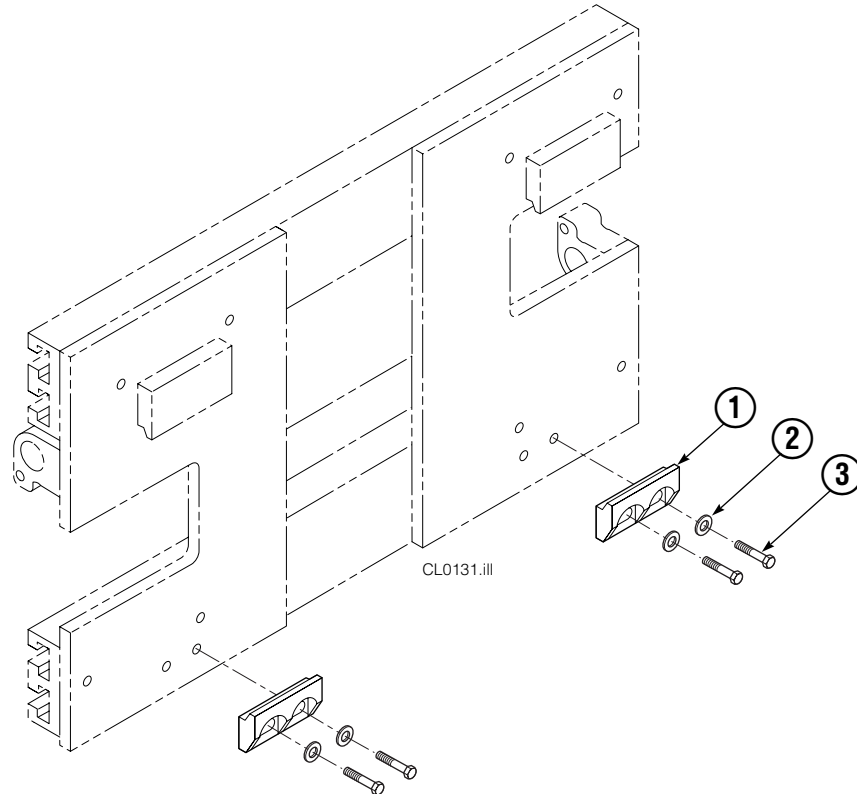


| REF | QTY | PART NO. | DESCRIPTION |
|-----|-----|----------|------------------------------|
| 1 | 1 | 680624 | Mounting Plate Assembly-LH ● |
| 2 | 1 | 680623 | Mounting Plate Assembly-RH ■ |
| 3 | 1 | 6002330 | Upper Hook-LH |
| 4 | 1 | 210491 | Upper Hook-RH |
| 5 | 4 | 768577 | Capscrew, M20 x 35 |

● Includes items 3 and 5.

■ Includes items 4 and 5.

Bolt-On Mounting Group



| Class II | | | |
|----------|-----|----------|------------------------------|
| REF | QTY | PART NO. | DESCRIPTION |
| | | 678934 | Lower Hook Group |
| 1 | 2 | 675968 | Lower Hook |
| 2 | 4 | 667225 | Washer, 5/8 in. ID |
| 3 | 4 | 667369 | Capscrew, 5/8 NC x 1.25 GR 5 |

Reference: S-3197.

Do you have questions you need answered right now? Call your nearest Cascade Parts Department.

Cascade Corporation

2501 Sheridan Avenue
Springfield, OH 45505
Tel: 888-CASCADE (227-2233)
FAX: 888-329-0234
www.cascorp.com

Cascade Canada Inc.

5570 Timberlea Blvd.
Mississauga, Ontario
Canada L4W-4M6
Tel: 905-629-7777
FAX: 905-629-7785

Cascade GmbH

D-41199 Monchengladbach
Klosterhofweg 52
Germany
Tel: 49-216-668230
FAX: 49-216-6682323

Cascade Finland

Albert Petreliuksenkatu 3
01370 Vantaa
Finland
Tel: 358-9-836-1925
FAX: 358-9-836-1935

**Cascade N.V.
European Headquarters**

P.O. Box 3009
1300 El Almere
Damsluisweg 56
1332 ED Almere
The Netherlands
Tel: 31-36-5492911
FAX: 31-36-5492964

**Cascade N.V.
Benelux Sales and Service**

P.O. Box 3009
1300 El Almere
Damsluisweg 56
1332 ED Almere
The Netherlands
Tel: 31-36-5492950
FAX: 31-36-5492974

Cascade (UK) Ltd.

15, Orgreave Crescent
Dore House Industrial Estate
Handsworth
Sheffield S13 9NQ
England
Tel: 742-697524
FAX: 742-695121

Cascade Scandinavia AB

Box 124
Hammarvägen 10
567 23 Vaggeryd
Sweden
Tel: 42-0-393-36950
FAX: 46-0-393-36959

Cascade Norway

Østerliveien 37A
1153 Oslo
Norway
Tel: 47-22-743160
FAX: 47-22-743157

Cascade France S.A.R.L.

1D Rue De Charaintru
BP 18, 91360 Epinay-Sur-Orge
Morangis Cedex, France
Tel: 33-1- 64547500
FAX: 33-1-64547501

Cascade Hispania S.A.

Carrer 5 Sector C
Zona Franca Duanera
Poligono de la Zon Franca
08040 Barcelona, Spain
Office No. 256
Tel: 93-264-07-30
FAX: 93-264-07-31

Cascade Japan Ltd.

5-5-41,
Torikai Kami
Settsu, Osaka
Japan, 566
Tel: 81-726-53-3490
FAX: 81-726-53-3497

Cascade Korea

108B, Namdong Ind Complex
658-3 Gojan-Dong
Namdong-Gu
Inchon, 405-310 Korea
Tel: 82-32-821-2051
FAX: 82-32-821-2055

Cascade Australia

1445 Ipswich Road
Rocklea, QLD 4106
Australia
Tel: 1-800227-223
FAX: (07) 3373-7333

Cascade New Zealand

15 Ra Ora Drive
East Tamaki, Auckland
New Zealand
Tel: 9-273-9136
FAX: 9-273-9137

Cascade (Africa) Pty. Ltd.

P.O. Box 625, Isando 1600
60A Steel Road
Sparton, Kempton Park
South Africa
Tel: 27-11-975-9240
FAX: 27-11-394-1147

Cascade-Xiamen

No. 668 Yangguant Rd.
Xinyang Industry Zone
Haicant, Xiamen City
Fujian Province
P.R. China 361026
Tel: 86-592-651-2500
FAX: 86-592-651-2571

**Cascade (Singapore)
Trading Co.**

Four Seasons Park
Autumn Block - Apt. 1802
12 Cuscaden Walk
Singapore
Tel: 65-834-1935
FAX: 65-834-1936

