



Parts Manual

Model 35E Push Pull

Serial Number 35E-QPB-163

cascade[®]
corporation

For Technical Assistance call: 800-227-2233, Fax: 888-329-8207

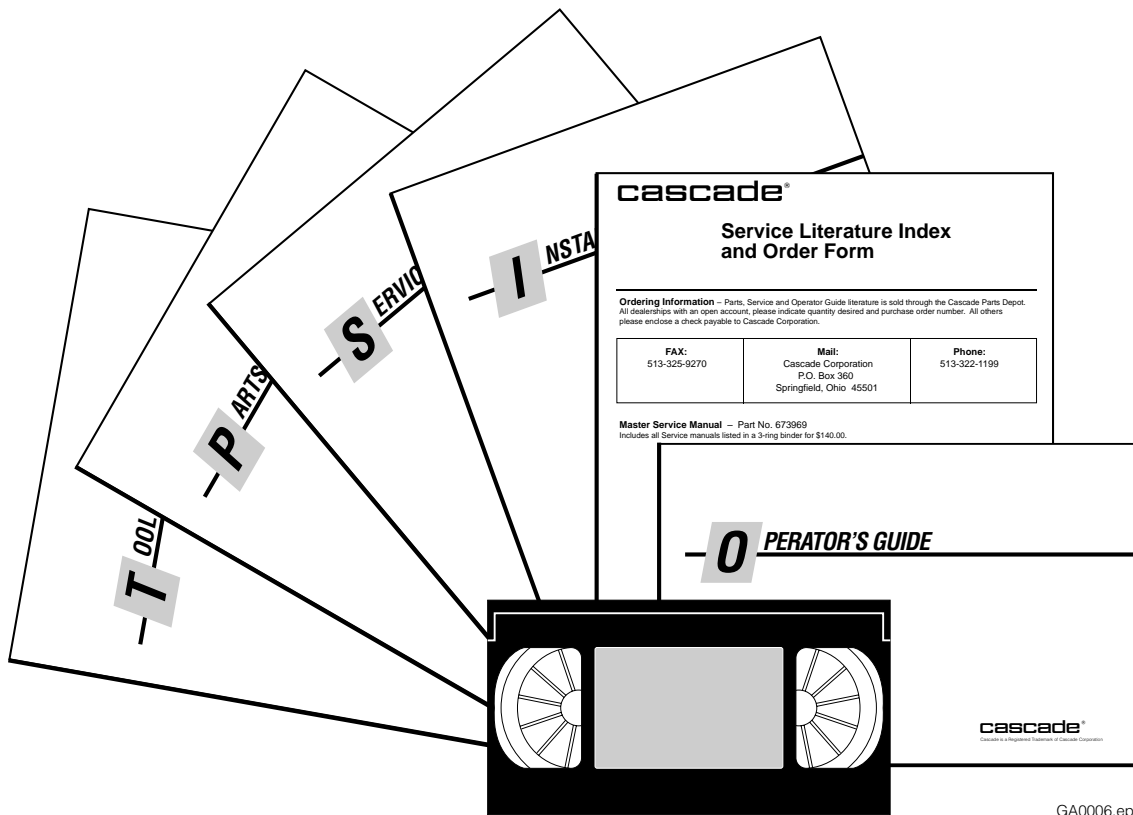
To Order Parts call: 888-227-2233, Fax: 888-329-0234

OR

Write: Cascade Corporation, P.O. Box 20187, Portland, OR 97220

Internet: www.cascorp.com

Publications

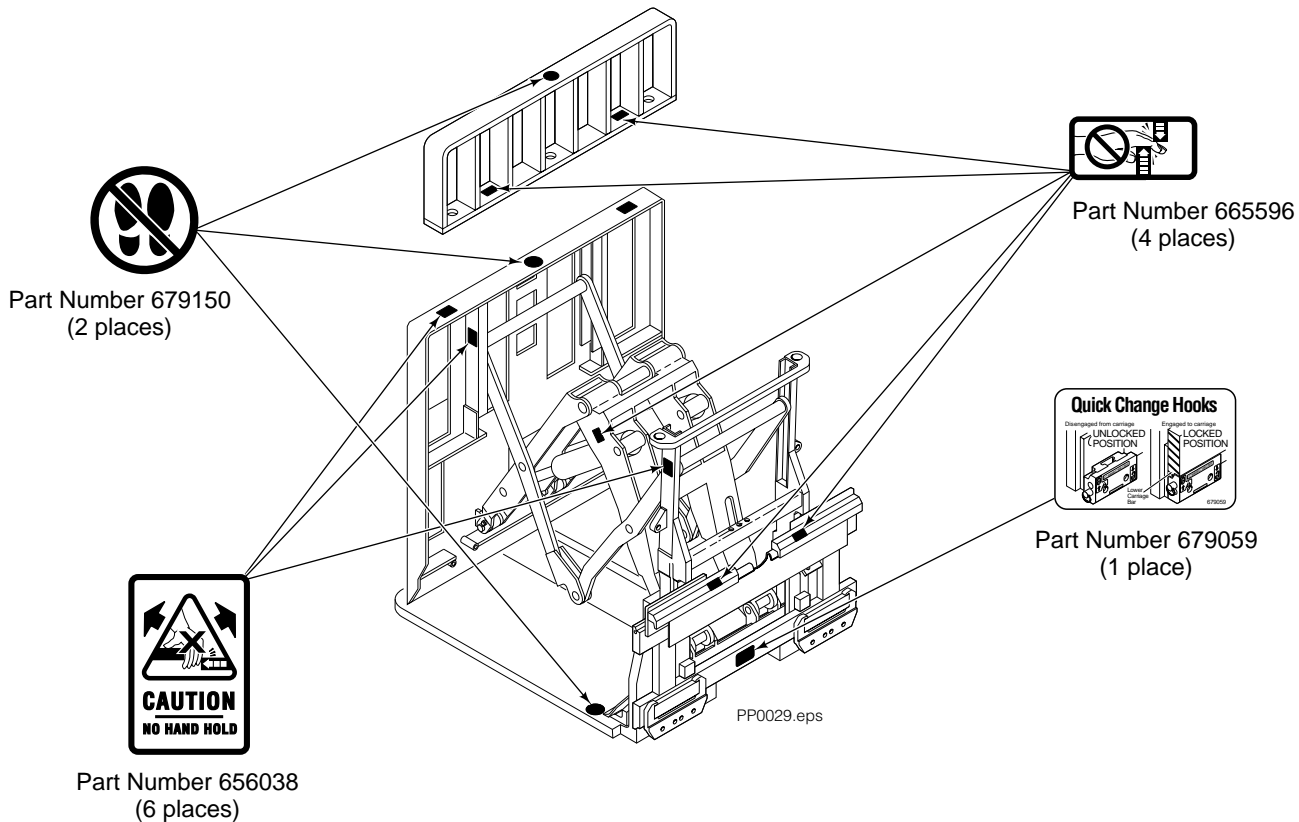


GA0006.eps

PART NO.	DESCRIPTION
	Parts Manual
686455	Service Manual
684945	Operators Guide
685531	Operators Pocket Guide
684944	Installation Instructions
680664	Servicing Cascade Cylinders-VHS
679929	Tool Catalog
673964	Literature Index Order Form

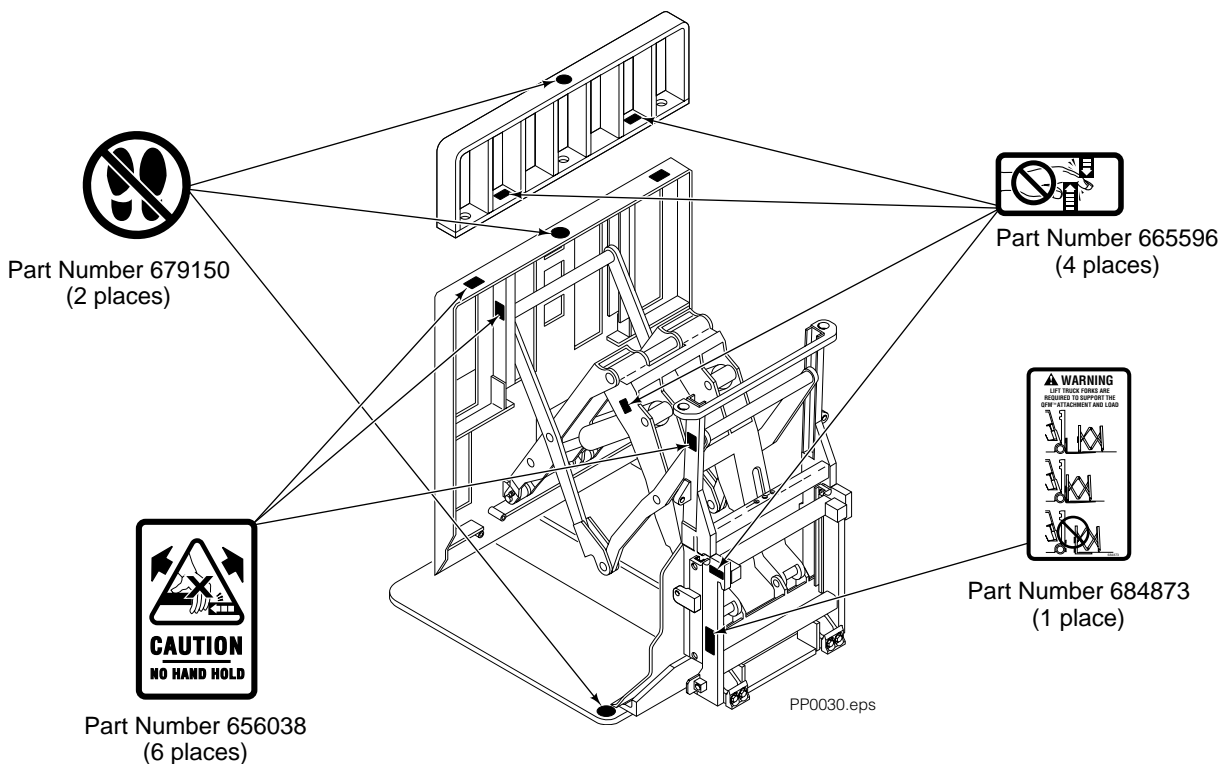
Decals

35E/45E Sheet-Sav

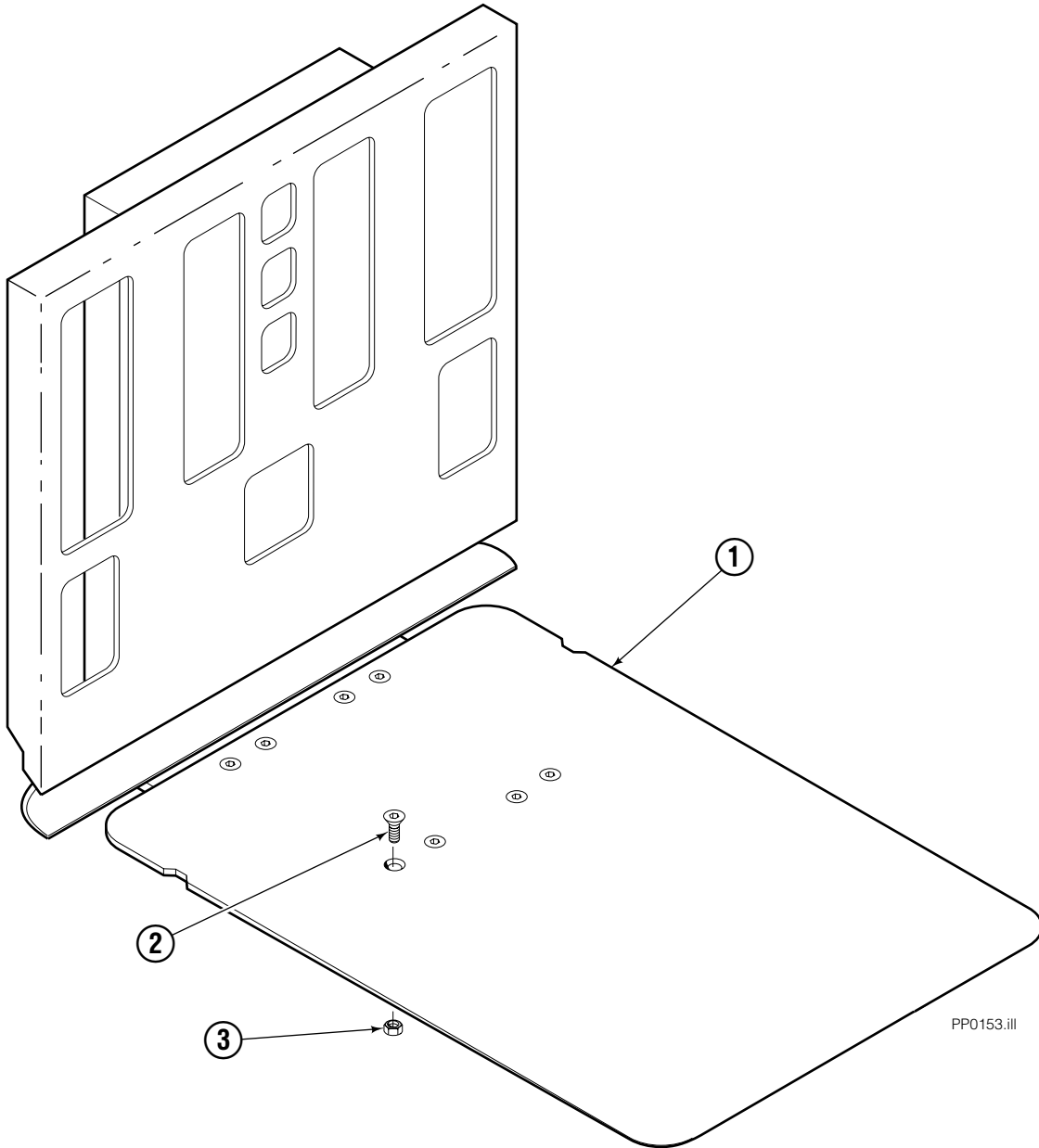


Decals

35E/45E QFM™ Sheet-Sav



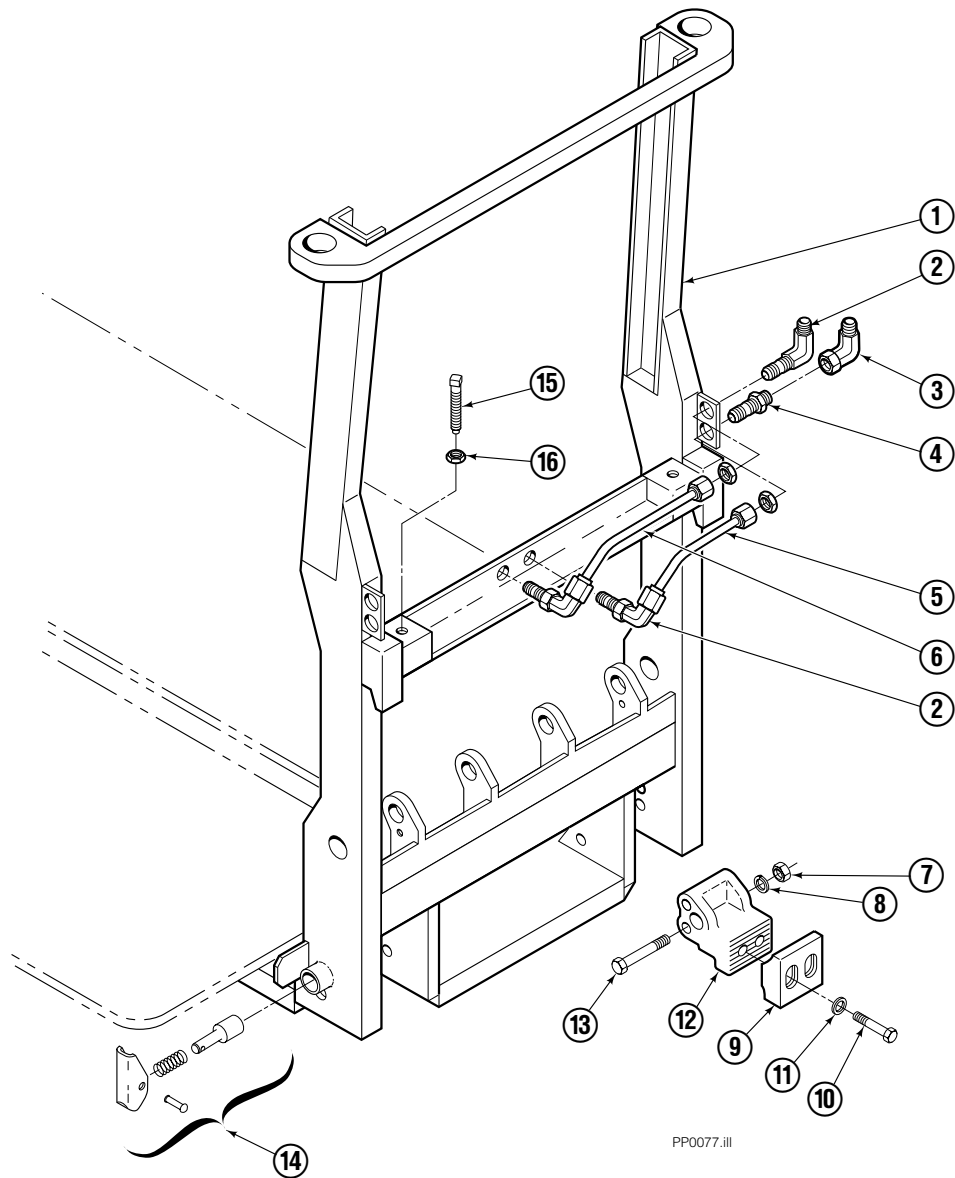
Platens



REF	QTY	PART NO.	DESCRIPTION
1	1	363121	Platen – 40" x 48"
2	8	768704	Capscrew
3	8	683170	Nut

Reference: S-3351.

Frame Group ITA II

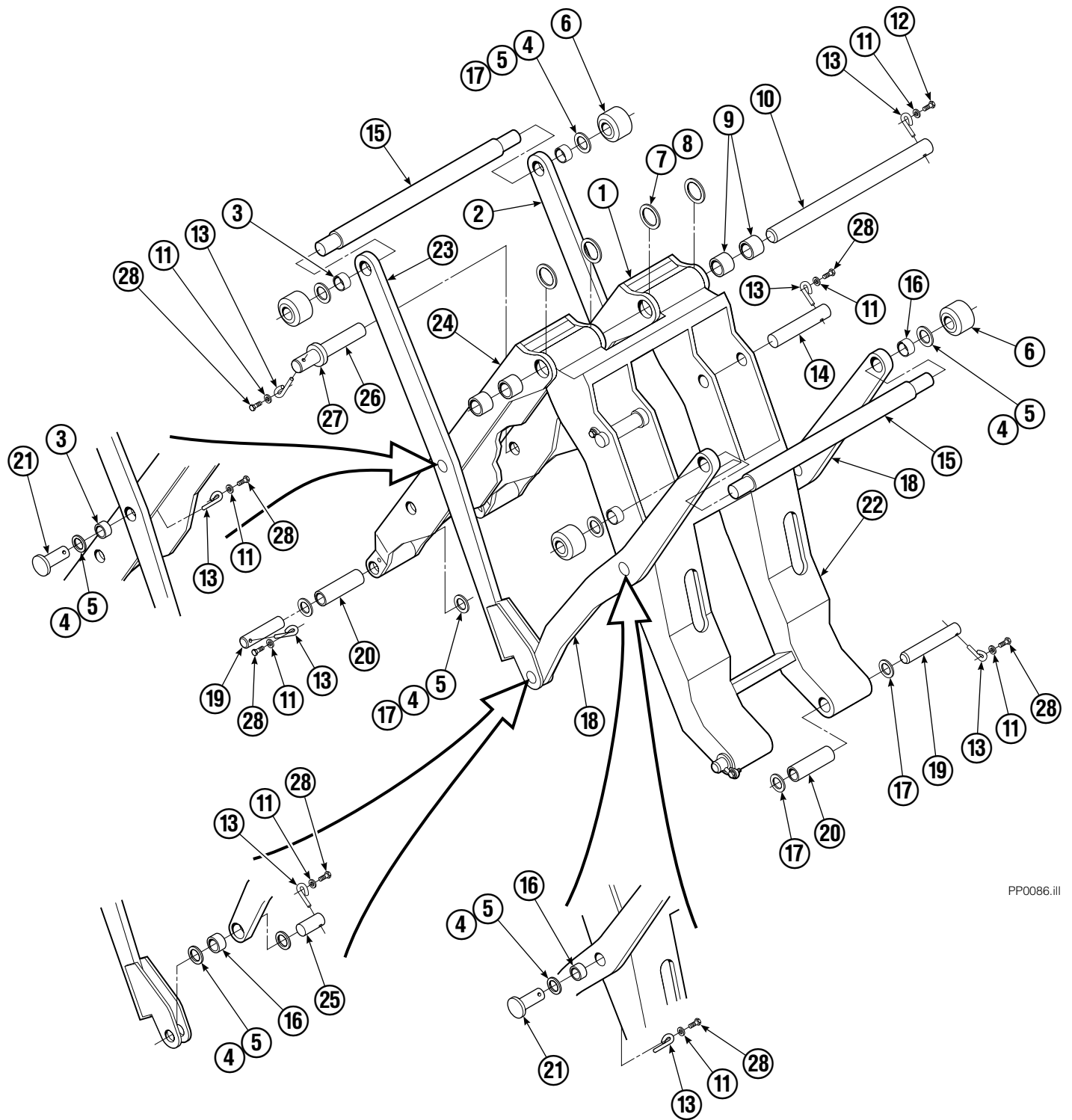


PP0077.ill

35E/45E

REF	QTY	PART NO.	DESCRIPTION
		204625	Frame Group with Platens
1	1	205019	Frame with Platens
2	1	2453	Fitting, 6-6
3	3	2680	Fitting, 6-6
4	1	2375	Fitting, 6-6
5	1	683186	Tube
6	1	683187	Tube
7	2	763025	Nut
8	2	681473	Lockwasher
9	2	676280	Hook
10	4	768554	Capscrew
11	4	667910	Washer
12	2	683188	Pivot Hook
13	2	768837	Capscrew
14	2	683189	Pin Assembly
15	2	204938	Setscrew
16	2	5930	Nut

Mechanism Group



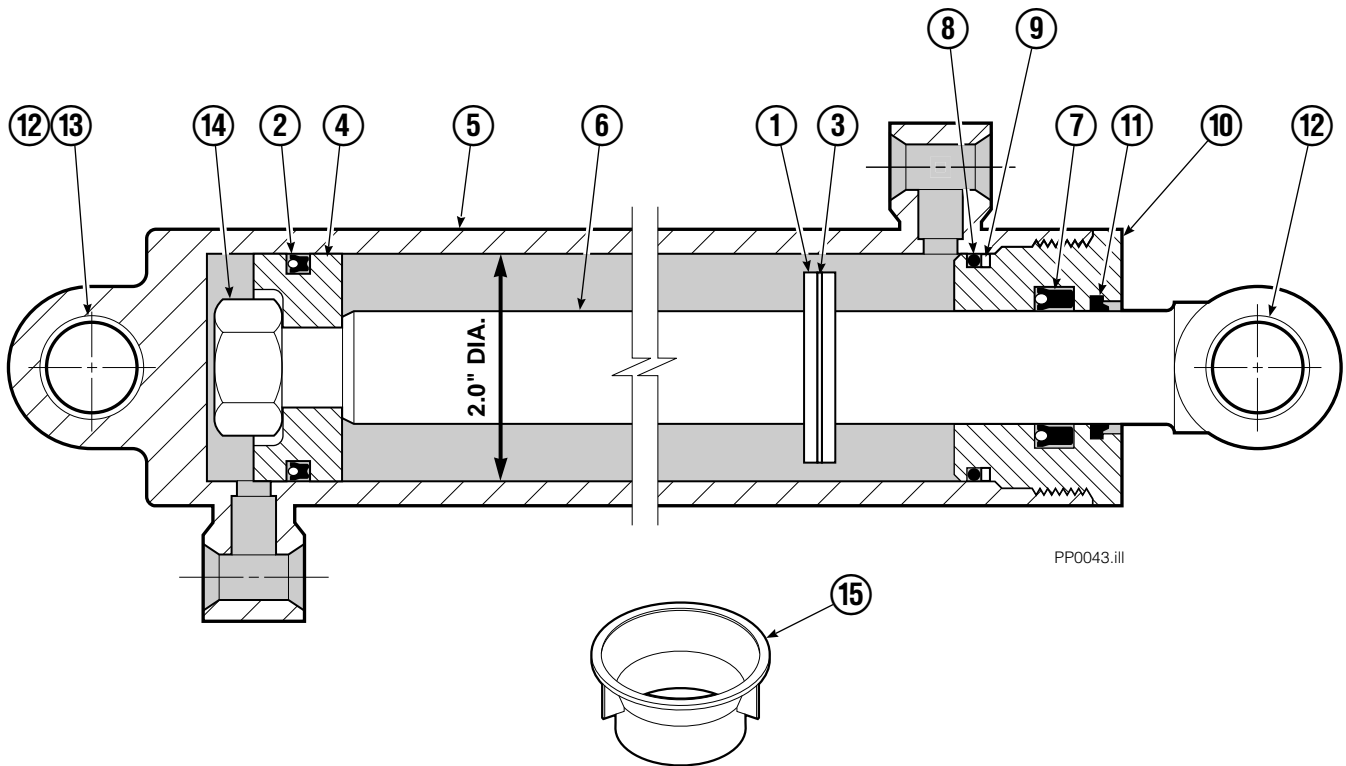
PP0086.ill

Mechanism Group

35E/45E			
REF	QTY	PART NO.	DESCRIPTION
		204644	Mechanism Group
1	1	204691	Arm-Inner Secondary R. H.
2	1	204692	Arm-Secondary Outer R. H.
3	4	683154	■ Bushing
4	●	683161	Shim (.030)
5	●	683162	Shim (.060)
6	4	205070	Roller
7	●	683163	Shim (.030)
8	●	683164	Shim (.060)
9	4	683155	■ Bushing
10	1	682821	Pin
11	15	6229	Washer
12	2	685661	Capscrew
13	15	682999	Eye-Pin
14	2	682822	Pin-Head
15	2	205065	Pin
16	6	683153	■ Bushing
17	●	204532	Shim (.12)
18	2	204694	Arm-Outer Primary
19	4	204533	Pin-Frame
20	4	204535	■ Bushing
21	4	204695	Pin
22	1	204604	Arm-Inner Primary
23	1	204693	Arm-Secondary Outer L. H.
24	1	204690	Arm-Inner Secondary L. H.
25	2	204696	Pin-Outer
26	2	682823	Pin-Rod
27	2	683165	Spacer
28	13	767961	Capscrew

- Quantity as required.
- Included in Bushing Service Kit 205075.

Cylinder

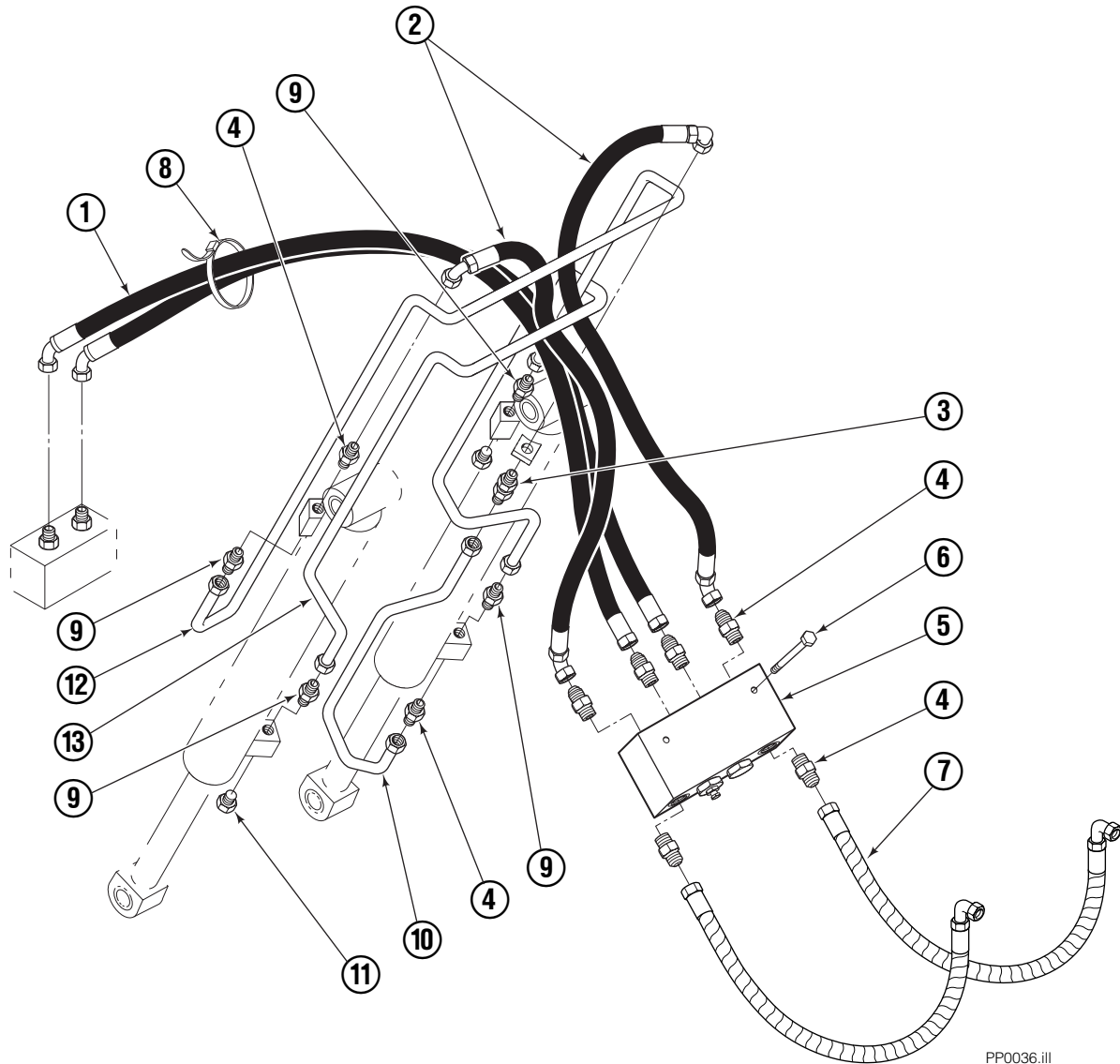


REF	QTY	PART NO.	DESCRIPTION
		582635	Cylinder Assembly
1	1	—	Spacer
2	1	562552	Seal ■
3	1	7348	Snap Ring
4	1	562334	Piston
5	1	562716	Shell
6	1	558626	Rod
7	1	559705	Seal ■
8	1	2785	O-Ring ■
9	1	615128	Back-Up Ring ■
10	1	559696	Retainer
11	1	636853	Wiper ■
12	4	559697	Bearing
13	1	559698	Spacer
14	1	678019	Nut
15	1	671047	Seal Loader Kit ■

■ Included in Service Kit 562338.

Reference: S-3424.

Hydraulic Group



PP0036.ill

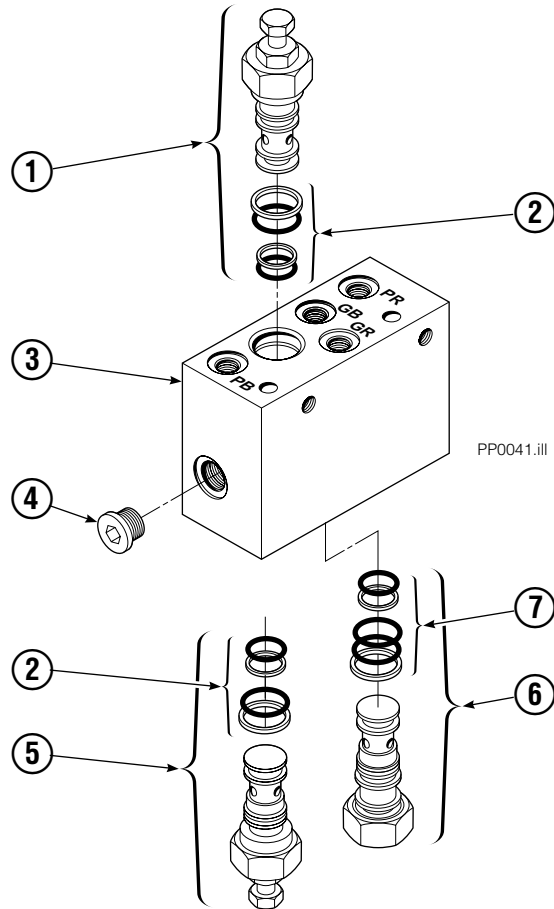
35E/45E

REF	QTY	PART NO.	DESCRIPTION
		685828	Hydraulic Group ITA II
1	1	685831	Hose
2	2	683173	Hose
3	1	2375	Fitting, 6-6
4	8	604511	Fitting, 6-6
5	1	682812	■ Valve
6	2	765329	Capscrew, M8x1.25x20-8.8
7	2	685978	Hose ITA II
8	2	684956	Cable tie
9	4	605235	Fitting 5-6
10	1	200647	Tube
11	2	604510	Plug, 6
12	1	200649	Tube
13	1	200648	Tube

■ See Valve page for parts breakdown.

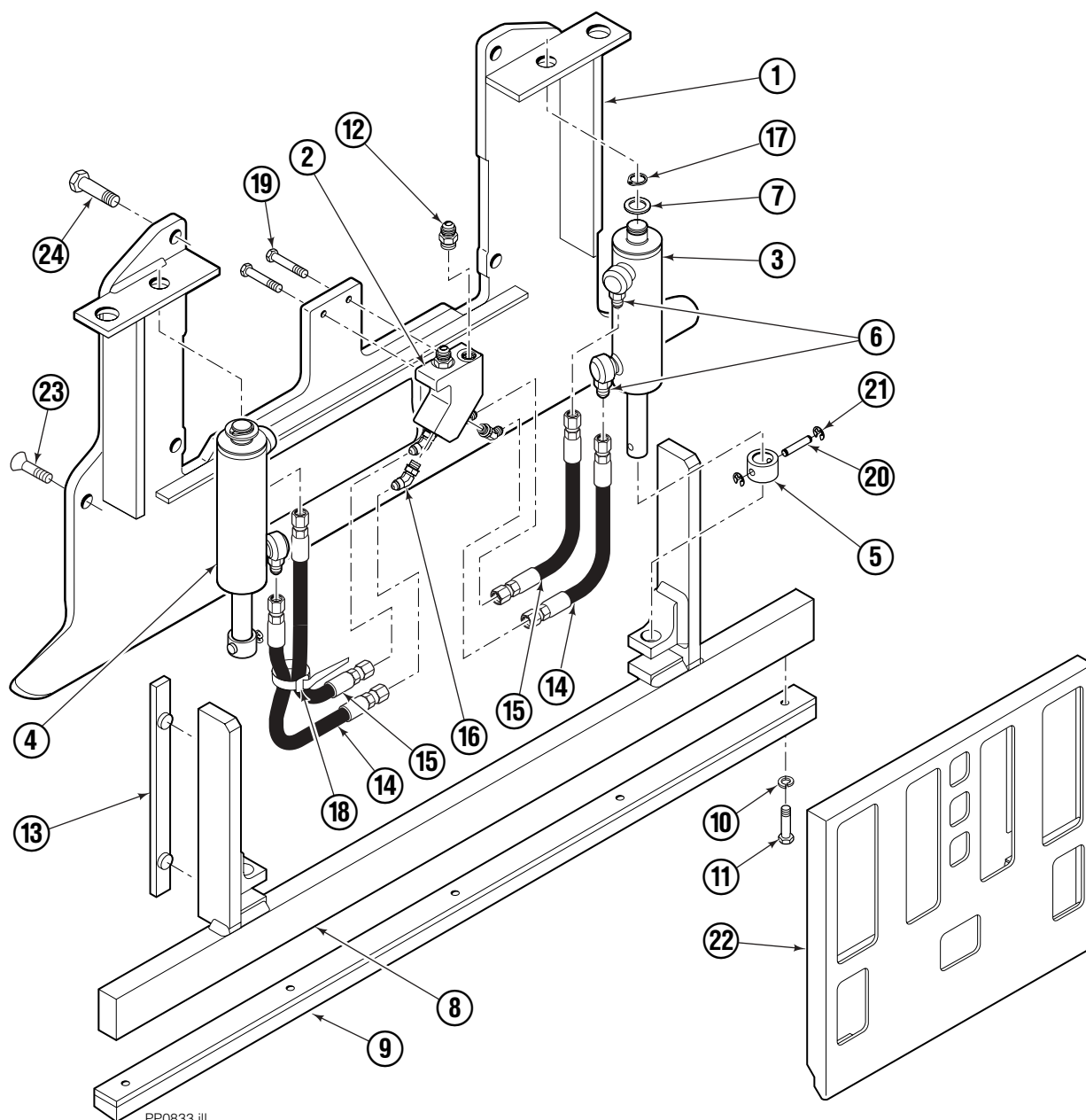
Valve

Load Push/Pull



REF	QTY	PART NO.	DESCRIPTION
		682812	Valve Assembly
1	1	677125	Sequence Valve (Retract)
2	2	669597	Service Kit
3	1	682813	Body
4	5	663694	Fitting, 3
5	1	677124	Sequence Valve (Extend)
6	1	659058	Gripper Check Valve
7	1	667516	Service Kit

Faceplate Group



PP0833.ill

35E

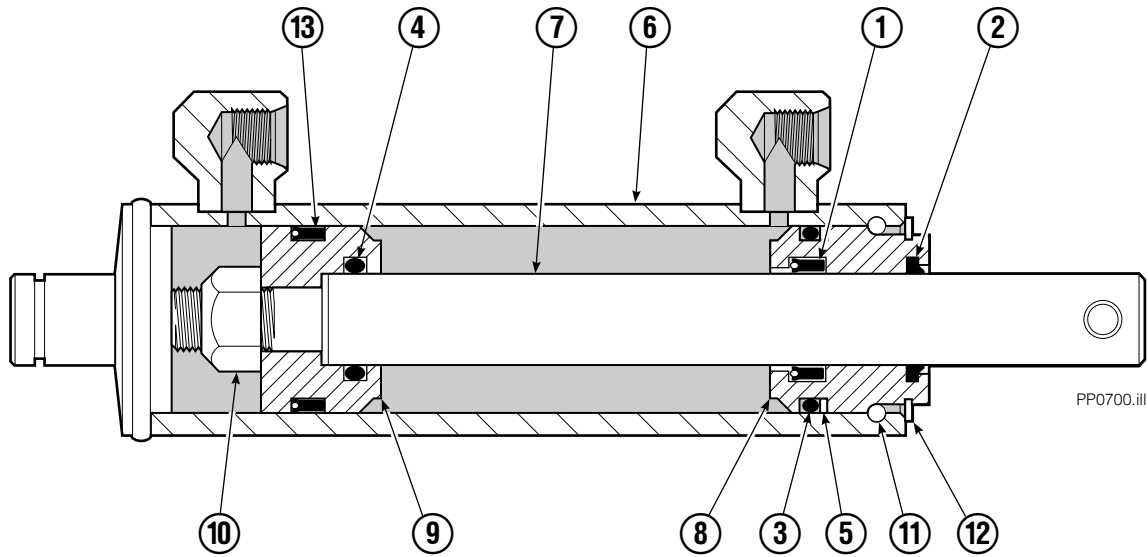
REF	QTY	PART NO.	DESCRIPTION	REF	QTY	PART NO.	DESCRIPTION
		6002141	Faceplate Group, 40 x 40 in. ■	12	2	604511	Fitting, 6-6
		6002140	Gripper Jaw Assembly ●	13	2	686573	Bearing
1	1	206396	Gripper Jaw	14	2	6002138	Hose, 315 mm
2	1	6002134	Valve	15	2	6002139	Hose, 450 mm
3	1	6020456	Gripper Cylinder, LH ◆	16	4	617918	Fitting, 4-4
4	1	6020455	Gripper Cylinder, RH ◆	17	2	6003718	Retaining Ring
5	2	6020451	Collar	18	4	684956	Wire Tie
6	4	617915	Fitting, 4-4	19	2	787373	Capscrew, M8 x 20
7	2	6001555	Washer	20	2	6020412	Pin
8	1	6002135	Gripper Bar	21	4	6020463	Retaining Ring
9	1	672712	Gripper Pad	22	1	6002142	Faceplate, 40 x 40 in. ■
10	5	680253	Lockwasher, M8	23	2	768714	Capscrew, M16 x 60
11	5	787375	Capscrew, M8 x 20	24	4	225346	Capscrew, M16 x 60

■ Width x height.

● Includes items 1-21.

◆ See Gripper Cylinder page for parts breakdown.

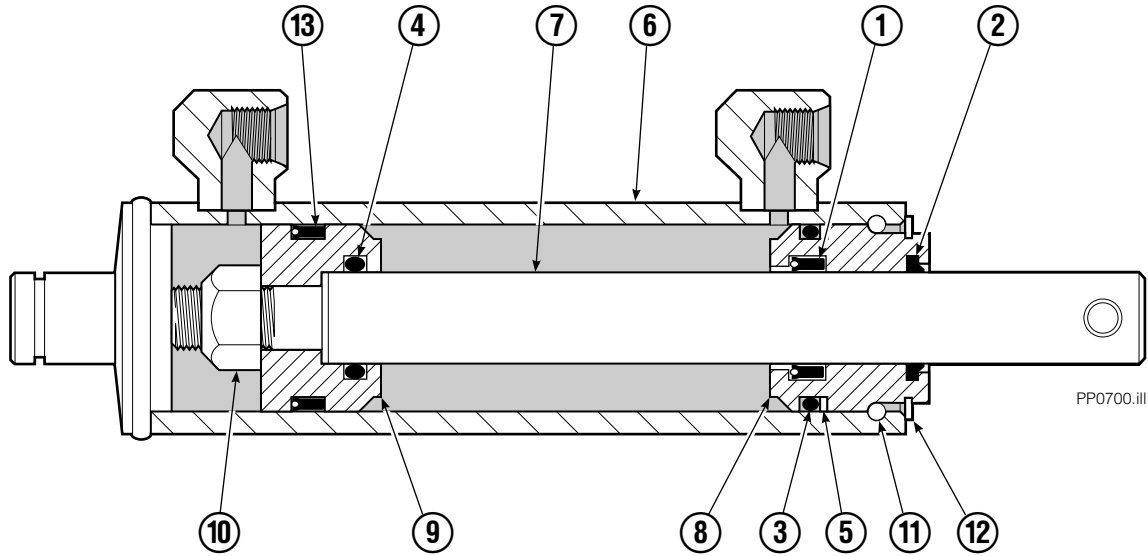
Gripper Cylinder Left Hand



REF	QTY	PART NO.	DESCRIPTION
		6020456	Gripper Cylinder - LH
1	1	646540	▼ Seal
2	1	636850	▼ Wiper
3	1	2718	▼ O-Ring
4	1	2710	▼ O-Ring
5	1	615122	▼ Back-Up Ring
6	1	6002131	Shell
7	1	6020445	Rod
8	1	685664	Retainer
9	1	685665	Piston
10	1	563462	Nut
11	1	563916	Ring
12	1	3137	Ring
13	1	663728	▼ Piston Seal

▼ Included in Service Kit 684827.

Gripper Cylinder Right Hand



REF	QTY	PART NO.	DESCRIPTION
		6020455	Gripper Cylinder – RH
1	1	646540	▼ Seal
2	1	636850	▼ Wiper
3	1	2718	▼ O-Ring
4	1	2710	▼ O-Ring
5	1	615122	▼ Back-Up Ring
6	1	6014091	Shell
7	1	6020445	Rod
8	1	685664	Retainer
9	1	685665	Piston
10	1	563462	Nut
11	1	563916	Ring
12	1	3137	Ring
13	1	663728	▼ Piston Seal

▼ Included in Service Kit 684827.

Do you have questions you need answered right now? Call your nearest Cascade Parts Department. Visit us online at www.cascorp.com

Cascade Corporation

2501 Sheridan Avenue
Springfield, OH 45505
Tel: 888-CASCADE (227-2233)
FAX: 888-329-0234

Cascade Canada Inc.

5570 Timberlea Blvd.
Mississauga, Ontario
Canada L4W-4M6
Tel: 905-629-7777
FAX: 905-629-7785

Cascade GmbH

D-41199 Monchengladbach
Klosterhofweg 52
Germany
Tel: 49-216-668230
FAX: 49-216-6682323

Cascade Finland

Albert Petreliuksenkatu 3
01370 Vantaa
Finland
Tel: 358-9-836-1925
FAX: 358-9-836-1935

**Cascade N.V.
European Headquarters**

P.O. Box 3009
1300 El Almere
Damsluisweg 56
1332 ED Almere
The Netherlands
Tel: 31-36-5492911
FAX: 31-36-5492964

**Cascade N.V.
Benelux Sales and Service**

P.O. Box 3009
1300 El Almere
Damsluisweg 56
1332 ED Almere
The Netherlands
Tel: 31-36-5492950
FAX: 31-36-5492974

Cascade (UK) Ltd.

15, Orgreave Crescent
Dore House Industrial Estate
Handsworth
Sheffield S13 9NQ
England
Tel: 742-697524
FAX: 742-695121

Cascade Scandinavia AB

Box 124
Hammarvägen 10
567 23 Vaggeryd
Sweden
Tel: 42-0-393-36950
FAX: 46-0-393-36959

Cascade Norway

Østerliveien 37A
1153 Oslo
Norway
Tel: 47-22-743160
FAX: 47-22-743157

Cascade France S.A.R.L.

1D Rue De Charaintru
BP 18, 91360 Epinay-Sur-Orge
Morangis Cedex, France
Tel: 33-1- 64547500
FAX: 33-1-64547501

Cascade Hispania S.A.

Carrer 5 Sector C
Zona Franca Duanera
Poligono de la Zon Franca
08040 Barcelona, Spain
Office No. 256
Tel: 93-264-07-30
FAX: 93-264-07-31

Cascade Japan Ltd.

5-5-41,
Torikai Kami
Settsu, Osaka
Japan, 566
Tel: 81-726-53-3490
FAX: 81-726-53-3497

Cascade Korea

108B, Namdong Ind Complex
658-3 Gojan-Dong
Namdong-Gu
Inchon, 405-310 Korea
Tel: 82-32-821-2051
FAX: 82-32-821-2055

Cascade Australia

1445 Ipswich Road
Rocklea, QLD 4106
Australia
Tel: 1-800227-223
FAX: (07) 3373-7333

Cascade New Zealand

15 Ra Ora Drive
East Tamaki, Auckland
New Zealand
Tel: 9-273-9136
FAX: 9-273-9137

Cascade (Africa) Pty. Ltd.

P.O. Box 625, Isando 1600
60A Steel Road
Sparton, Kempton Park
South Africa
Tel: 27-11-975-9240
FAX: 27-11-394-1147

Cascade-Xiamen

No. 668 Yangguang Rd.
Xinyang Industrial Zone
Haicang, Xiamen City
Fujian Province
P.R. China 361026
Tel: 86-592-651-2500
FAX: 86-592-651-2571

**Cascade (Singapore)
Trading Co.**

Four Seasons Park
Autumn Block - Apt. 1802
12 Cuscaden Walk
Singapore
Tel: 65-834-1935
FAX: 65-834-1936

