



# Parts Manual

---

Model \_\_\_\_\_ **Load Stabilizer**

Serial Number \_\_\_\_\_ **35E-IS-051**

---

**cascade**<sup>®</sup>

For Technical Assistance call: 800-227-2233, Fax: 888-329-8207

To Order Parts call: 888-227-2233, Fax: 888-329-0234

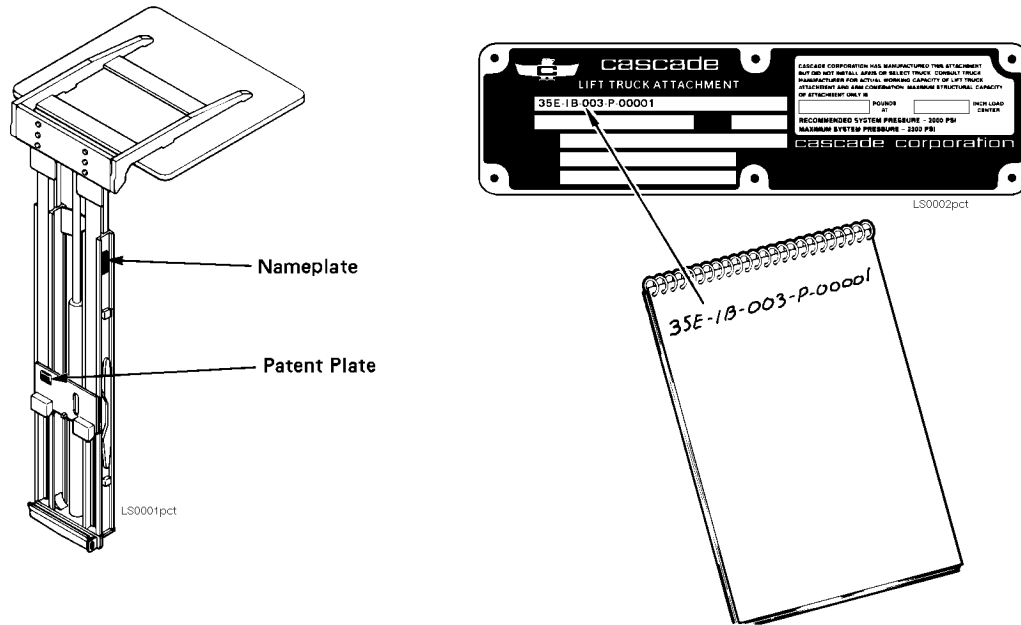
OR

Write: Cascade Corporation, P.O. Box 20187, Portland, OR 97220

# About This Manual

## Introduction

This manual shows the parts breakdown for specific 35E Load Stabilizer serial numbers. To find the correct pages for your attachment, locate the nameplate on the left side near the top of the frame. If the nameplate is missing all necessary information is stamped into the frame at the same location. Locate your serial number on the following pages. To the right of the serial number you will find the page numbers that apply to your unit.



## Ordering Parts

**Customers** – Cascade parts, service literature and videos are available through authorized lift truck dealers. To order, contact the lift truck dealer of your choice.

**Lift Truck Dealers** – To order parts, service literature or videos contact:

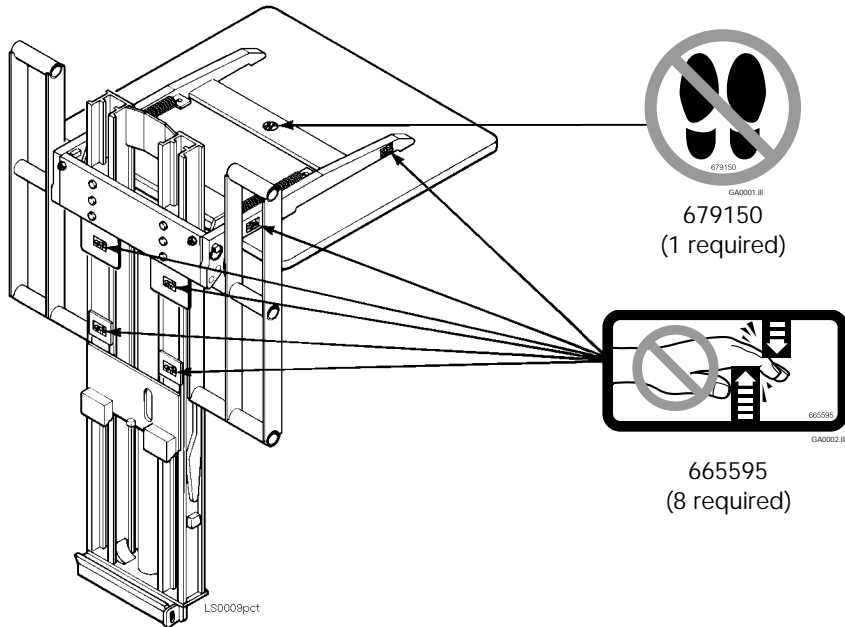
**Cascade Parts Depot**  
2501 Sheridan Avenue  
P. O. Box 360  
Springfield, Ohio 45505  
Telephone: 888-227-2233  
FAX: 888-329-8207



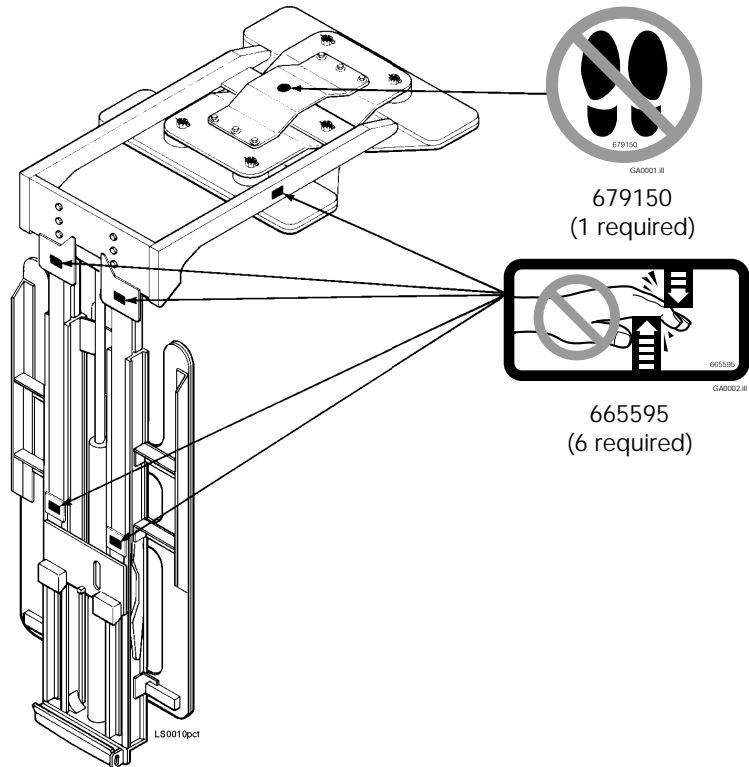
**WARNING:** For the safety of yourself and others, DO NOT install the parts shown in this manual unless you have thoroughly reviewed the appropriate service manual.

# Decals

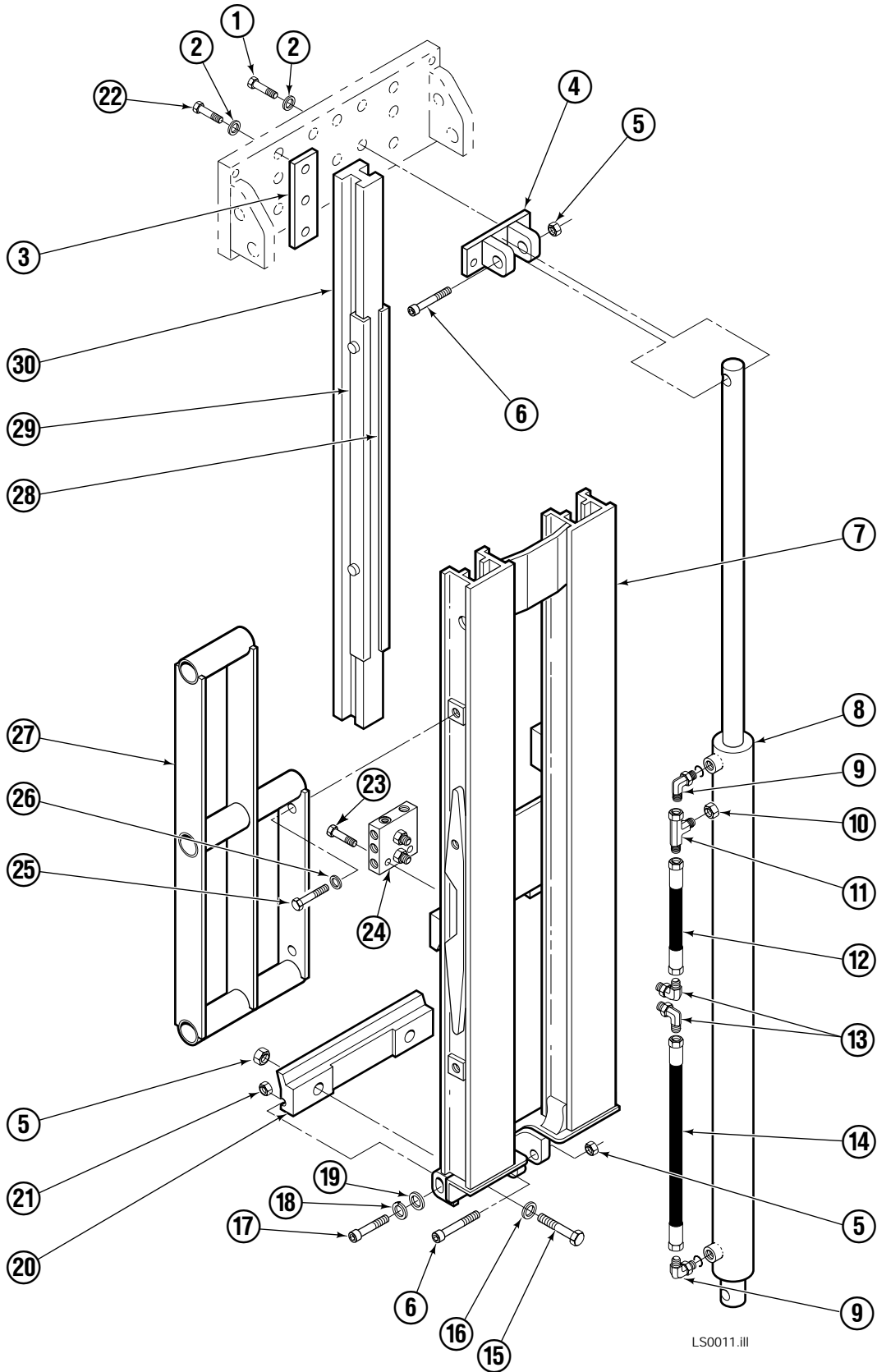
## Load Stabilizer



## Bottled Water Load Stabilizer



# Frame Group



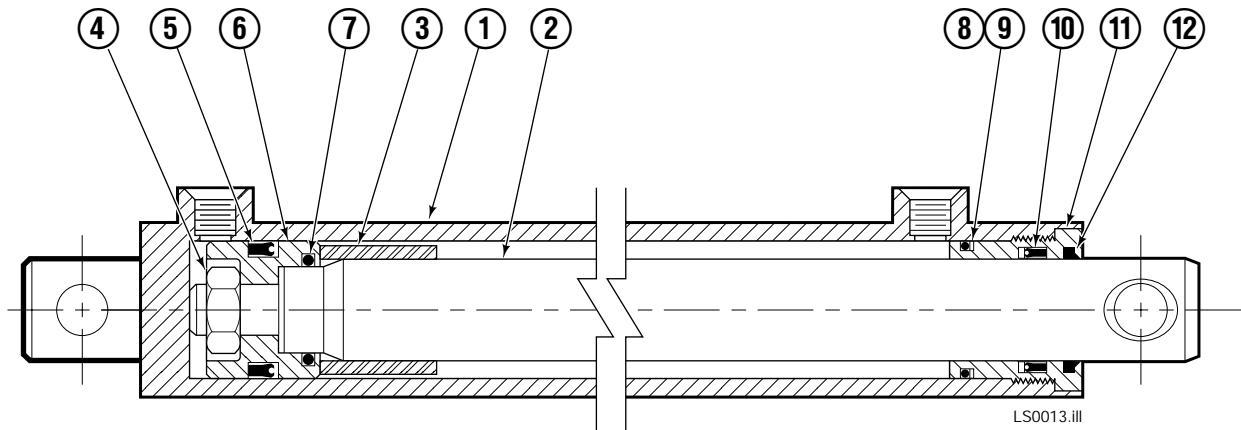
# Frame Group

35E			
REF	QTY	PART NO.	DESCRIPTION
1	3	206478	Capscrew, M10x1.5x30-10,9
2	9	201570	Washer
3	2	201956	Shim
4	1	201976	Cylinder Clevis
5	4	678990	Nut
6	2	211250	Capscrew
7	1	206501	Frame – 45"-84" Opening Range
8	1	◆ 582490	Cylinder – 42"-84" Opening Range
9	2	601676	Fitting, 6-6
10	1	2645	Fitting, 6
11	1	611329	Fitting, 6-6
12	1	675058	Hose – 42"-84" Opening Range
13	2	2680	Fitting, 6-6
14	1	206880	Hose
15	2	689997	Capscrew, M16x2x45-8.8
16	2	667225	Washer
17	1	201568	Capscrew
18	1	680253	Lockwasher, M8
19	1	205349	Washer
20	1	202049	Lower Hook
21	1	767414	Nut, M8
22	8	209684	Capscrew, M10x1.5x55-10,9
23	2	768795	Capscrew
24	1	■ 202047	Valve Assembly
25	4	766154	Capscrew
26	4	211179	Washer
27	2	202328	Backrest – 45"-84" Opening Range
28	2	668910	Bearing
29	2	668911	Bearing
30	2	202055	Arm Bar – 42"-84" Opening Range

◆ See Cylinder page for parts breakdown.

■ See Valve page for parts breakdown.

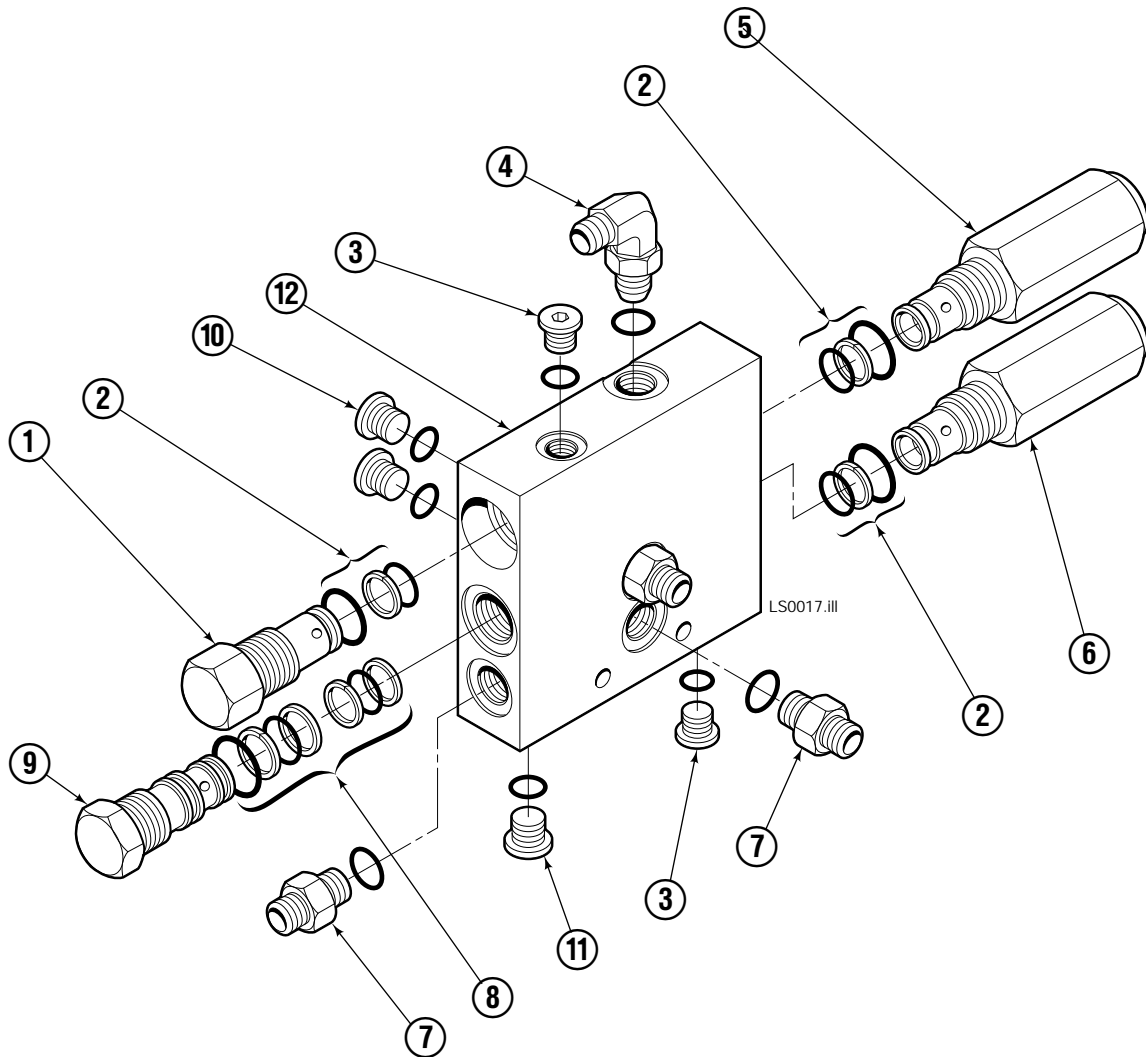
# Load Stabilizer Cylinder



<b>35E</b>			
REF	QTY	PART NO.	DESCRIPTION
		582490	Cylinder Assembly
1	1	562298	Shell
2	1	562299	Rod
3	1	-	Spacer
4	1	667623	Nut
5	1	■ 557598	Piston Seal
6	1	559702	Piston
7	1	■ 2716	O-Ring
8	1	■ 2722	O-Ring
9	1	■ 615126	Back-Up Ring
10	1	■ 663728	Rod Seal
11	1	562300	Retainer
12	1	■ 626468	Wiper
		562447	Service Kit

■ Included in Service Kit 562447.

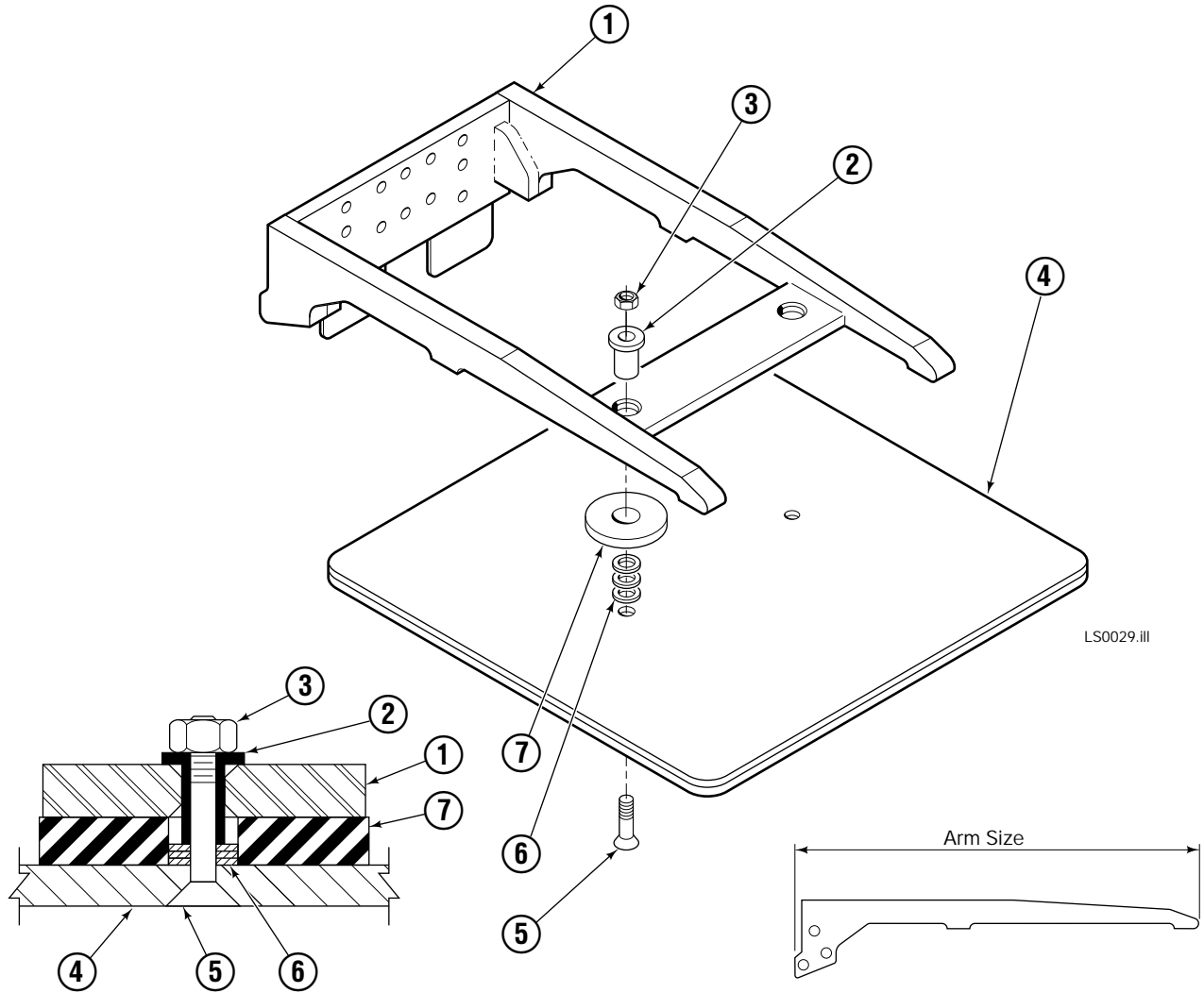
# Valve Assembly



## 35E

REF	QTY	PART NO.	DESCRIPTION
		202047	Valve Assembly
1	1	682168	Valve Cartridge
2	3	682170	Service Kit
3	2	663694	Plug, 3
4	1	601676	Fitting, 6-6
5	1	201566	Valve Cartridge - Adjustable Relief
6	1	201565	Valve Cartridge - Fixed Relief
7	3	604511	Fitting, 6-6
8	1	204424	Service Kit
9	1	201564	Valve Cartridge - P. O. Check
10	2	604510	Plug, 6
11	1	609234	Plug, 4
12	1	202125	Valve Body

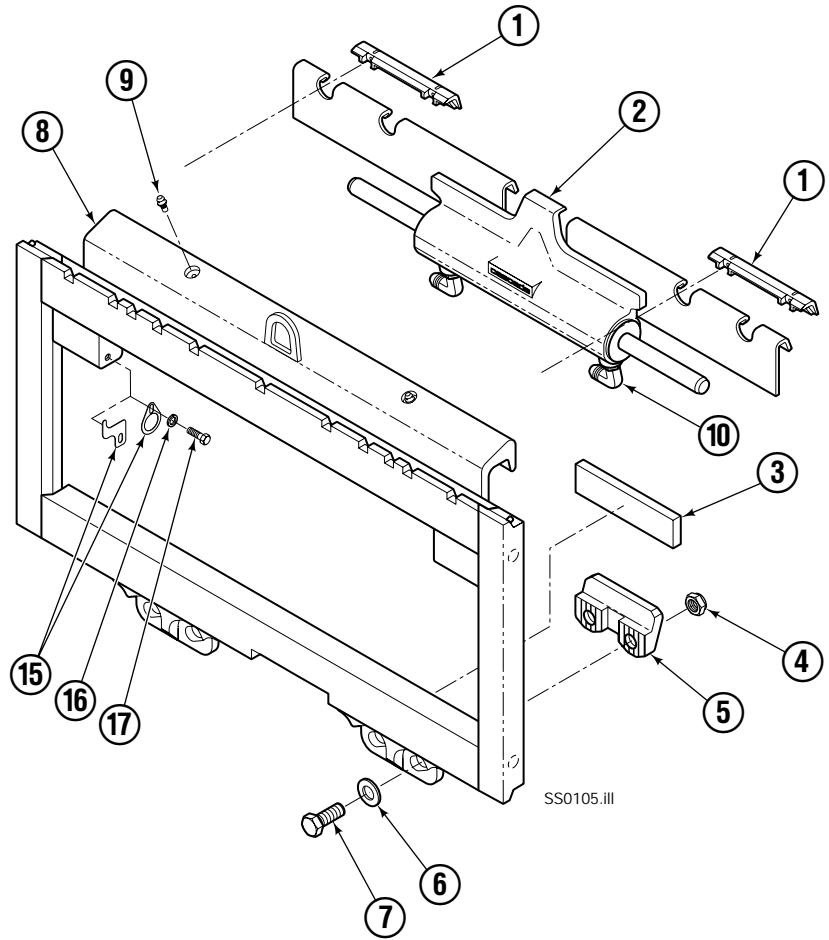
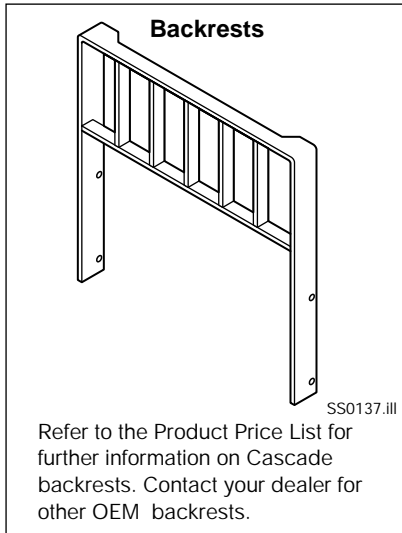
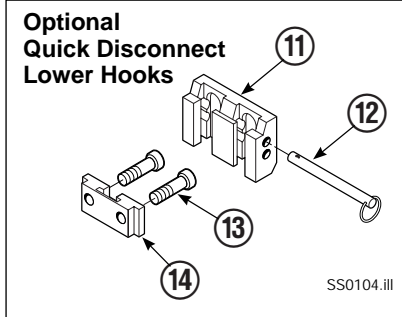
# Standard Arm Group



REF	QTY	PART NO.	DESCRIPTION
1	1	202062	Arm
2	2	205976	Sleeve
3	2	205979	Nylon Nut, M12
4	1	201978	Contact Pad - 36"x36"
5	2	768709	Capscrew
6	6	202251	Washer, M12
7	2	202145	Washer - Rubber

# PARTS

## Base Unit

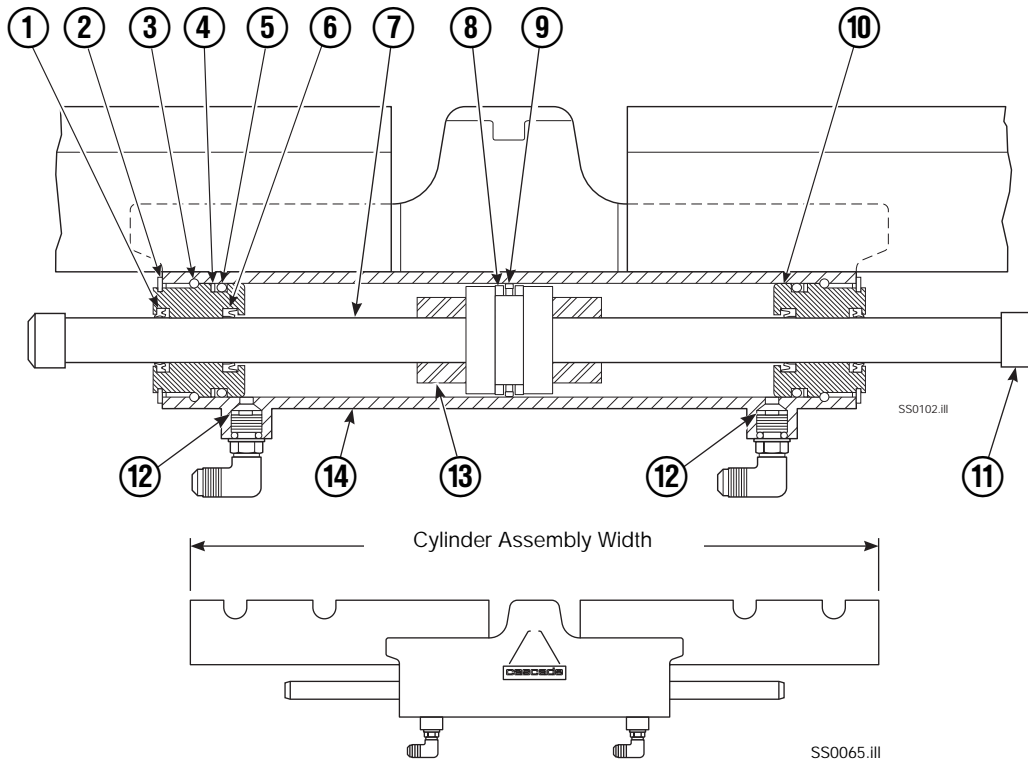


REF	QTY	55E PART NO.	60E/100E PART NO.	DESCRIPTION
1	▼	204187	672018	Upper Bearing
2	1	■	■	Cylinder
3	▼	—	208350	Lower Bearing
3	▼	208387	—	Lower Bearing, 12 mm ◆
3	▼	204188	—	Lower Bearing, 15 mm ◆
3	▼	207209	—	Lower Bearing, 19 mm ◆
★ 4	4	553857	553857	Nut, 5/8NC GR5
★ 5	2	204186	204186	Lower Hook
★ 6	4	667225	667225	Washer
★ 7	4	639121	639121	Capscrew, 5/8NCx1.50 GR5
8	1	●	●	Frame
9	▼	7403	7403	Zerk Fitting
10	2	601676	601676	Fitting, JIC 6-6
10	2	667222	667222	Fitting, JIC 5-6
10	2	666984	666984	Fitting, JIC 4-6
10	2	211807	211807	Fitting, Face Seal Adpt 4-6
11	2	675514	675957	Hook
12	2	678832	678832	Pin
13	4	683182	779019	Capscrew
14	2	675515	675958	Guide
15	2	205857	208355	Retainer
16	2	680253	202346	Washer
17	2	765329	763169	Capscrew

- ◆ **NOTE:** Sideshifter serial numbers 55E-SS-001 through 147 use 12 mm thick lower bearings or optional 15 mm thick bearings. Serial numbers 55E-SS-148 and higher use 19 mm thick lower bearings.
  - If frame needs replacing, order complete sideshift assembly.
  - ★ Included in Lower Hook Service Kit 204182.
  - See Cylinder page for parts breakdown.
  - ▼ Quantity as required.
- Reference: S-3816, S-6015, S-6038.

# PARTS

## Cylinder



REF	QTY	55E PART NO.	60E PART NO.	100E PART NO.	DESCRIPTION
		205848	—	—	Cylinder Assembly, 24.4 in. (620 mm) wide
		205840	—	—	Cylinder Assembly, 26.2 in. (665 mm) wide
		205841	—	—	Cylinder Assembly, 28.9 in. (735 mm) wide
		205842	—	—	Cylinder Assembly, 31.9 in. (810 mm) wide
		—	583970	—	Cylinder Assembly, 34.1 in. (865 mm) wide
		205845	—	—	Cylinder Assembly, 35.2 in. (895 mm) wide
		—	583971	584001	Cylinder Assembly, 36.0 in. (915 mm) wide
		205847	—	—	Cylinder Assembly, 38.3 in. (975 mm) wide
		205843	—	—	Cylinder Assembly, 40.1 in. (1040 mm) wide
		—	583972	584002	Cylinder Assembly, 40.2 in. (1020 mm) wide
		205846	—	—	Cylinder Assembly, 45.1 in. (1145 mm) wide
		—	583973	—	Cylinder Assembly, 48.0 in. (1220 mm) wide
		—	—	584003	Cylinder Assembly, 48.1 in. (1220 mm) wide
		206370	—	—	Cylinder Assembly, 48.8 in. (1240 mm) wide
		205844	—	—	Cylinder Assembly, 52.0 in. (1320 mm) wide
		—	—	584004	Cylinder Assembly, 55.2 in. (1400 mm) wide
●1	2	562131	562131	564408	Wiper Seal
2	2	562951	562951	3154	Snap Ring
3	2	562942	562942	564403	Retaining Ring
●4	2	—	—	615131	Back-Up Ring
●5	2	218228	218228	2789	O-Ring
●6	2	562132	562132	564406	Rod Seal
7	1	562055	562055	564401	Rod/Piston Assembly
●8	2	563278	563278	564404	Bearing Ring
●9	1	564141	564141	564407	Piston Seal
10	2	562792	562792	564402	Retainer
●11	2	208378	208378	—	Rod End Cap
12	2	564226	564226	564226	Speed Control Washer
13	2	—	—	—	Spacer
14	—	■	■	■	Cylinder Shell
		563487	563487	564409	Service Kit

● Included in Service Kits 563487 (55E & 60E) and 564409 (100E).

■ Not serviceable, order new cylinder assembly. Reference: S-3816, S-4019, S-4060, S-6105.

**Do you have questions you need answered right now?** Call your nearest Cascade Parts Department.

**Cascade Corporation**  
2501 Sheridan Avenue  
Springfield, OH 45505  
Tel: 888-CASCADE (227-2233)  
FAX: 888-329-0234

**Cascade Canada Inc.**  
5570 Timberlea Blvd.  
Mississauga, Ontario  
Canada L4W-4M6  
Tel: 905-629-7777  
FAX: 905-629-7785

**Cascade GmbH**  
D-41199 Monchengladbach  
Klosterhofweg 52  
Germany  
Tel: 21-66-602091  
FAX: 21-66-680947

**Cascade Finland**  
01370 Vantas  
Finland  
Tel: 358-0-836-1925  
FAX: 358-0-836-1935

**Cascade N.V.  
European Headquarters**  
P.O. Box 3009  
1300 El Almere  
Damsluisweg 56  
1332 ED Almere  
The Netherlands  
Tel: 31-36-5492911  
FAX: 31-36-5492964

**Cascade N.V.  
Benelux Sales and Service**  
P.O. Box 3009  
1300 El Almere  
Damsluisweg 56  
1332 ED Almere  
The Netherlands  
Tel: 31-36-5492950  
FAX: 31-36-5492974

**Cascade (UK) Ltd.**  
15, Orgreave Crescent  
Dore House Industrial Estate  
Handsworth  
Sheffield S13 9NQ  
England  
Tel: 742-697524  
FAX: 742-695121

**Cascade Scandinavia  
Hydraulik A.B.**  
Muskötgatan 19, E8-9  
S25466 Helsingborg  
Sweden  
Tel: 42-151135  
FAX: 42-152997

**Cascade Norway**  
Østerliveien 37A  
1153 Oslo  
Norway  
Tel: 47-22-743160  
FAX: 47-22-743157

**Cascade France S.A.R.L.**  
11, Rue Jean Charcot  
Zone Industrielle Sud or  
B.P. 22  
91421 Morangis Cedex  
France  
Tel: 1- 64547501  
FAX: 1-9790584

**Cascade Hispania S.A.**  
Avenida De La Fabregada, 7  
Hospitalet De Llobregat  
Barcelona  
Spain  
Tel: 3-335-5158  
FAX: 3-335-4756

**Cascade Japan Ltd.**  
5-5-41,  
Torikai Kami  
Settsu, Osaka  
Japan, 566  
Tel: 81-726-53-3490  
FAX: 81-726-53-3497

**Cascade Korea**  
Room 508, Pum Yang Bldg.  
750-14, Bang Bac-Dong  
Se-Cho Ku, Seoul  
Korea  
Tel: 2599-7131 ext. 512  
FAX: 2533-8089

**HYCO-Cascade Pty. Ltd.**  
1445 Ipswich Road  
Rocklea,  
Queensland 4107  
Australia  
Tel: 3-274-2722  
FAX: 3-274-3456

**HYCO-Cascade (NZ) Ltd.**  
15 Ra Ora Drive, East Tamaki  
P.O. Box 38-440  
Howick, Auckland  
New Zealand  
Tel: 9-273-9136  
FAX: 9-273-9137

**Cascade (Africa) Pty. Ltd.**  
P.O. Box 625, Isando 1600  
60A Steel Road  
Sparton, Kempton Park  
South Africa  
Tel: 975-9240  
FAX: 394-1147

**Cascade-Xiamen**  
Wanshan No. 1 Workshop  
Huli Road  
Xiamen 361006  
Fujian, PRC  
Tel: 592-562-4600  
FAX: 592-562-4671

**Cascade (Singapore)  
Trading Co.**  
Four Seasons Park  
Autumn Block - Apt. 1802  
12 Cascaden Walk  
Singapore  
Tel: 65-834-1935  
FAX: 65-834-1936

