



Parts Manual

Model _____ Fork Positioner

Serial Number _____ 85D-FPB-01B R0

cascade®
corporation

For Technical Assistance call: 800-227-2233, Fax: 888-329-8207

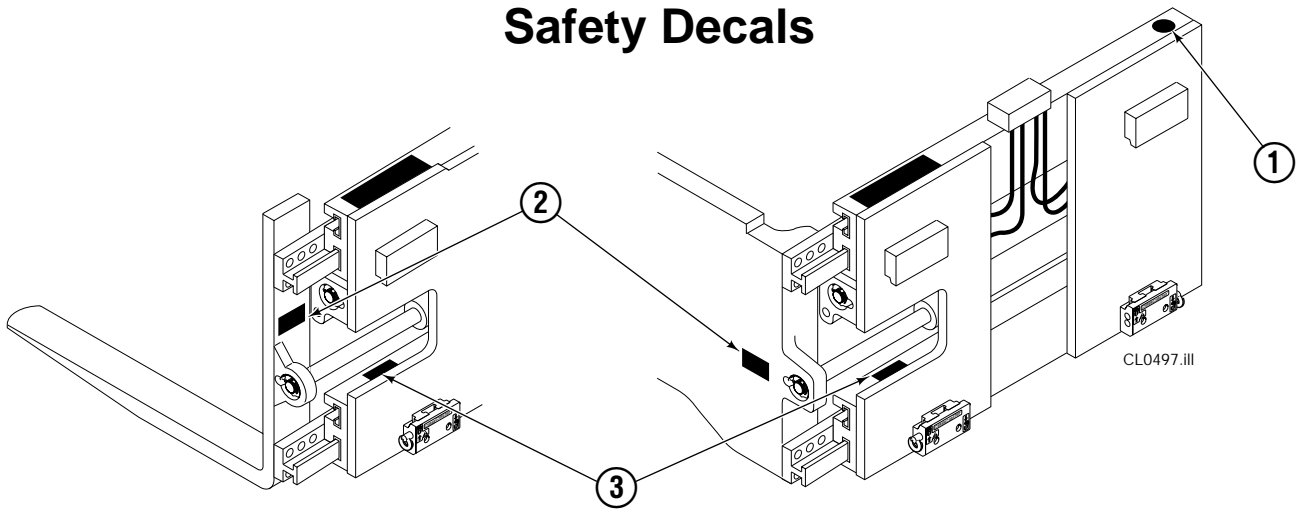
To Order Parts call: 888-227-2233, Fax: 888-329-0234

OR

Write: Cascade Corporation, P.O. Box 20187, Portland, OR 97220

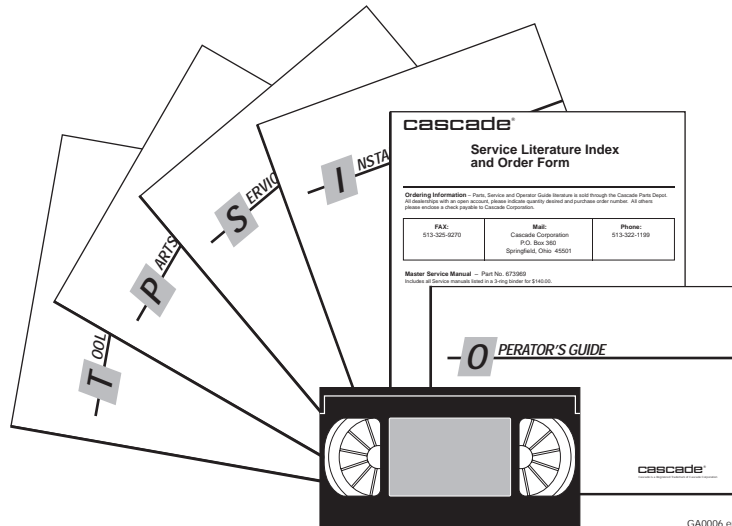
Internet: www.cascorp.com

Safety Decals



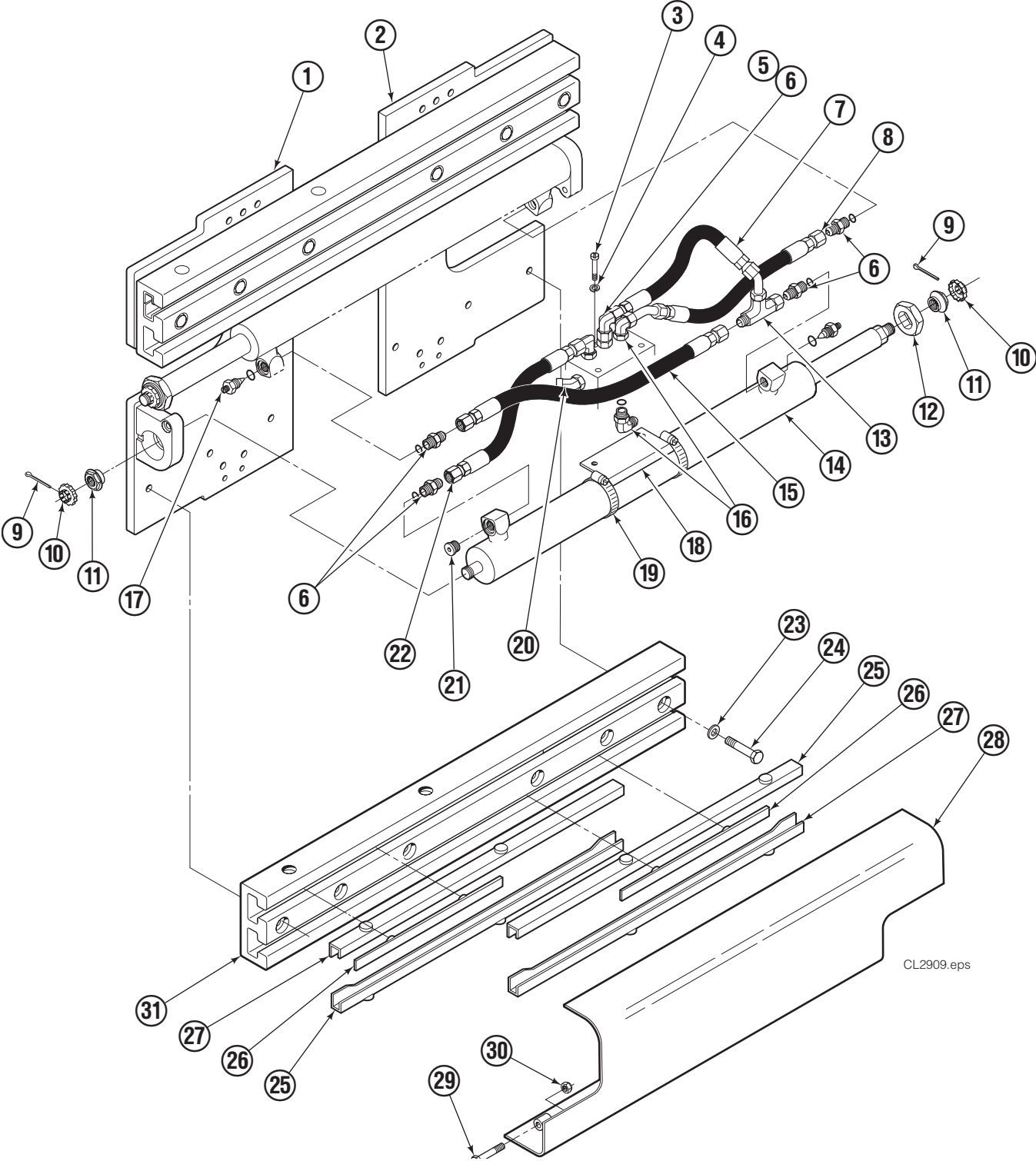
REF	QTY	PART NO.	DESCRIPTION
1	1	679150	No Step Decal
2	2	665595	No Hand Hold Decal
3	1	679059	Quick Change Hook Decal

Publications



PART NO.	DESCRIPTION
669224	Service Manual
672944	Operators Guide
668987	Installation Instructions
680664	Servicing Cascade Cylinders-VHS
679929	Tool Catalog
673964	Literature Index Order Form

Base Unit Group



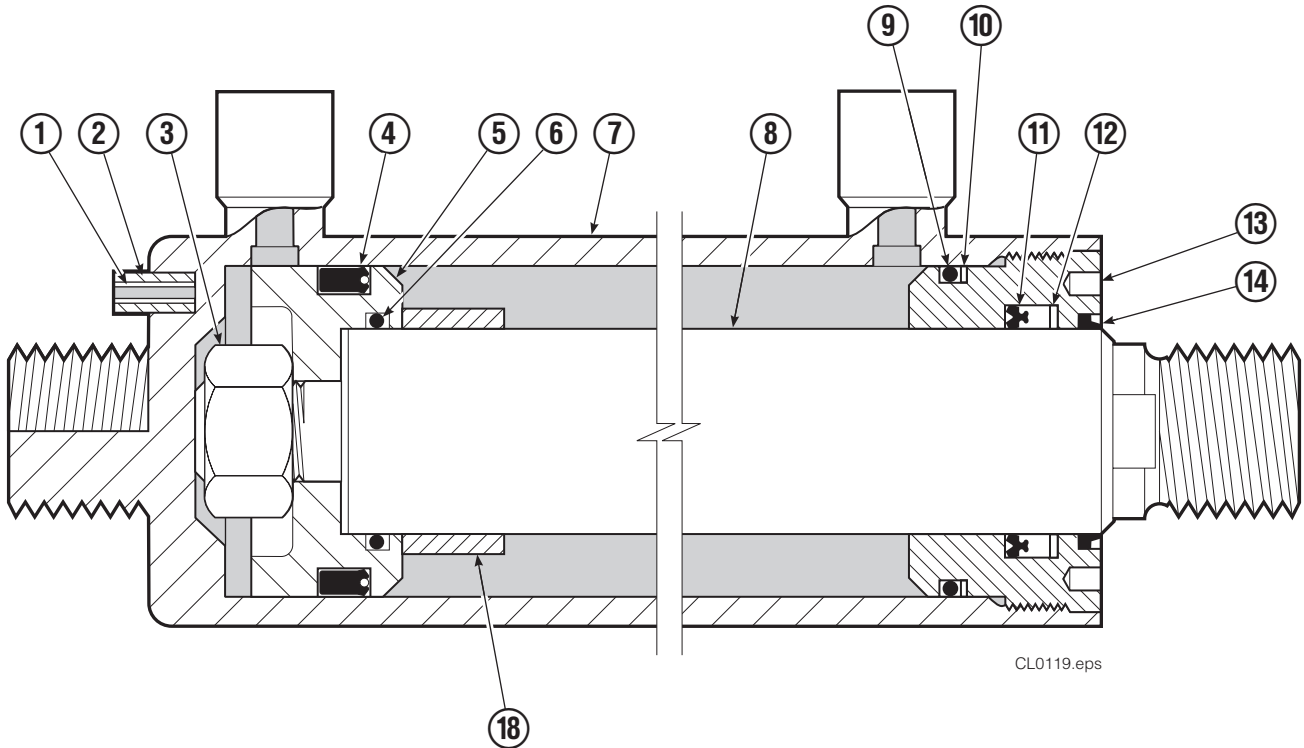
CL2909.eps

Base Unit Group

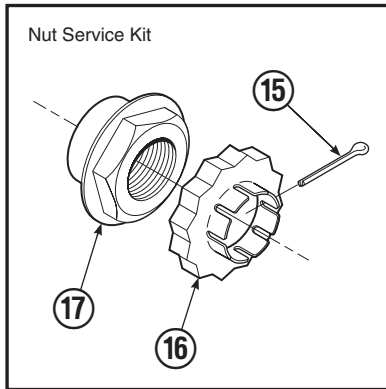
70D			
REF	QTY	PART NO.	DESCRIPTION
		682460	Base Unit Group
1	1	682456	Mounting Plate – RH
2	1	682452	Mounting Plate – LH
3	2	768529	Capscrew, M8 x 60
4	2	6287	Lockwasher, 5/16
5	1	605761	Fitting, 8-8
6	5	601377	Fitting, 8-8
7	1	681761	Hose, 9.50 in.
8	1	676111	Hose, 18.25 in.
9	4	6513	■ Cotter Pin
10	4	676110	■ Retainer
11	4	676109	■ Nut
12	2	676108	Washer
13	1	611330	Fitting, 8-8
14	2	676429	Cylinder ◆
15	1	676113	Hose, 17.00 in.
16	3	601250	Fitting, 8-8
17	2	667609	Restrictor Cartridge ●
18	1	676115	Bracket
19	2	644588	Clamp
20	1	611303	Fitting, 8-8
21	2	602580	Fitting, 8
22	1	676114	Hose, 18.50 in.
23	8	670692	Washer, 13/16
24	8	676793	Capscrew, M20 x 100
25	4	676104	Bearing
26	4	667663	Bearing
27	4	676105	Bearing
28	1	676106	Bumper
29	2	768560	Capscrew, M12 x 80
30	2	773842	Nut, M12
31	2	676103	Frame
		678036	Nut Service Kit

- Included in Nut Service Kit 678036.
 - ◆ See Cylinder page for parts breakdown,
 - See Restrictor Cartridge page for parts breakdown.
- Reference: Common Parts 676794, S-3337, S-3338, SK-5055.

Cylinder Assembly



CL0119.eps



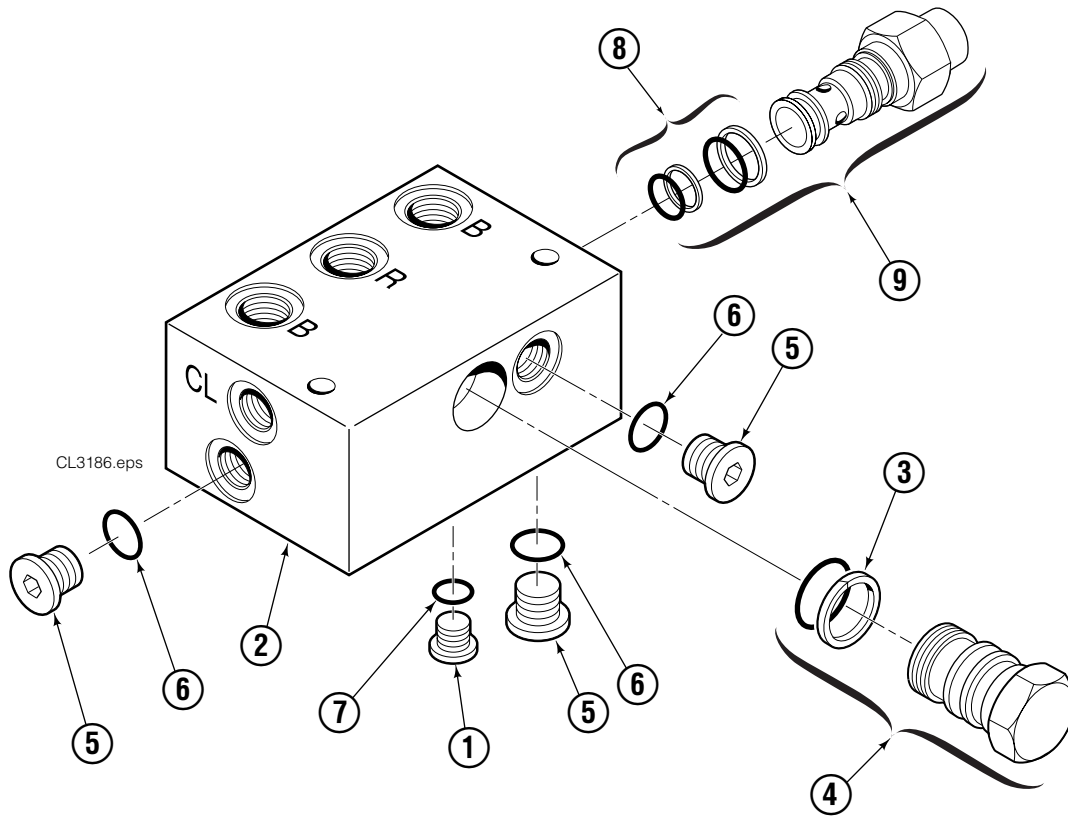
70D			
REF	QTY	PART NO.	DESCRIPTION
		676429	Cylinder Assembly
1	1	7882	Roll Pin
2	1	7964	Roll Pin
3	1	560997	Nut
4	1	662459	◆ Seal
5	1	558405	Piston
6	1	2787	◆ O-Ring
7	1	556463	Shell
8	1	556464	Rod
9	1	209589	◆ O-Ring
10	1	229646	◆ Back-Up Ring
11	1	553520	◆ Seal
12	1	636701	◆ Back-Up Ring
13	1	556432	Retainer
14	1	624572	◆ Wiper
15	1	6513	■ Cotter Pin
16	1	676110	■ Retainer
17	1	676109	■ Nut
18	1	—	Spacer
		556486	Service Kit

◆ Included in Service Kit 556486.

■ Included in Nut Service Kit 678036 - not included in Cylinder Assembly.

Reference: S-5259, S-5260.

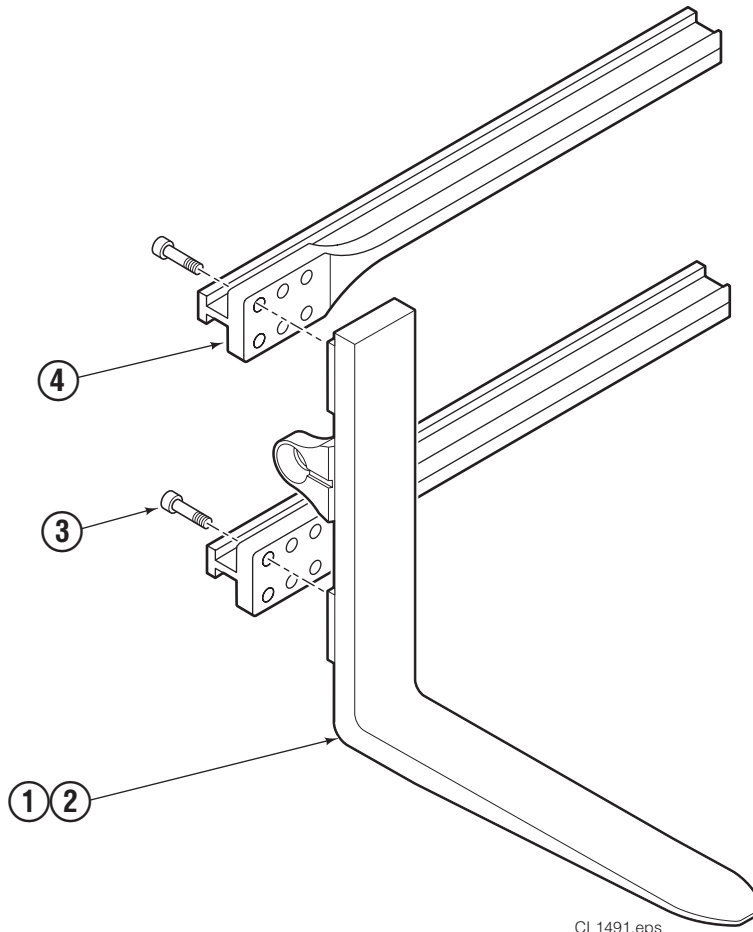
Valve Group Non-Sideshift

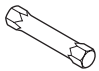


REF	QTY	PART NO.	DESCRIPTION
		677733	Valve Assembly
1	1	604510	Fitting, 6
2	1	676118	Valve Body
3	1	656223	▲ Service Kit
4	1	677731	Cavity Plug
5	3	602580	Fitting, 8
6	11	2841	▲ O-Ring
7	1	2840	▲ O-Ring
8	1	661312	▲ Service Kit – Relief Valve
9	1	677730	Relief Valve
		676169	Valve Service Kit

▲ Included in Service Kit 676169.

Bolt-On Fork Group

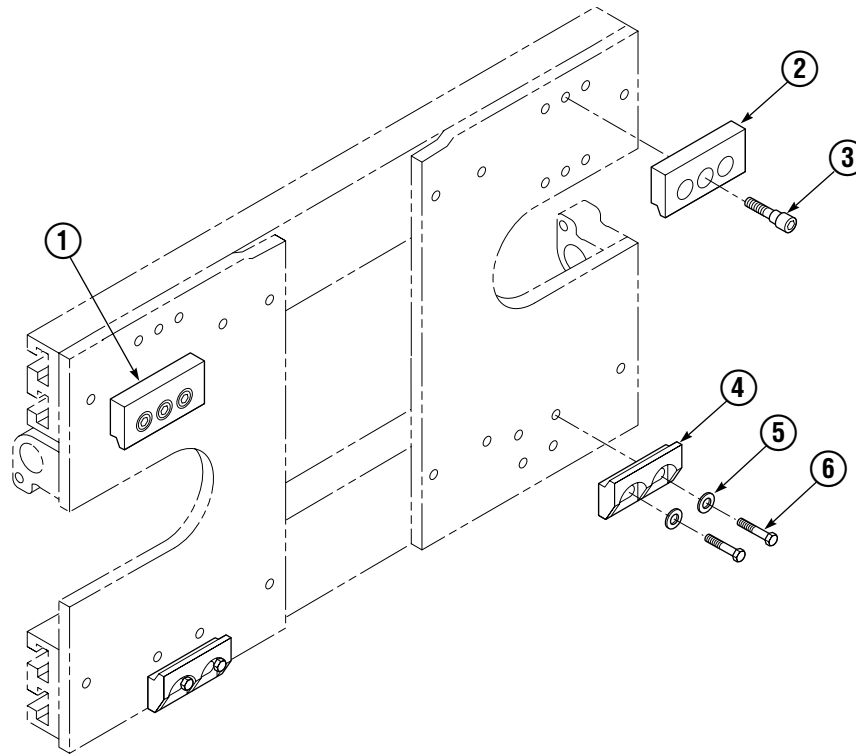


ARM CAPSCREW EXTENSION TOOL Required for Proper Torquing of Capscrews		
	70D	676218

70D			
REF	QTY	PART NO.	DESCRIPTION
		676183	Fork Group ◆
1	1	10242-1067	Fork – RH
2	1	10243-1067	Fork – LH
3	24	676840	Capscrew, M24 x 65
4	4	676132	Arm Bar

◆ Includes items 1 – 3 only.
Reference: Common Parts 3001962.

Bolt-On Mounting Group



CL0159.III

Class III

REF	QTY	PART NO.	DESCRIPTION
		676124	Mounting Group
1	1	676125	Upper Hook - LH
2	1	676126	Upper Hook - RH
3	6	676801	Capscrew, M20 x 50
4	2	675969	Lower Hook
5	4	667225	Washer, 5/8 in. ID
6	5	779009	Capscrew, M16 x 30

Do you have questions you need answered right now? Call your nearest Cascade Parts Department. Visit us online at www.cascorp.com

**Cascade Corporation
U.S. Headquarters**
2201 NE 201st
Fairview, OR 97024-9718
Tel: 800-CASCADE (227-2233)
FAX: 888-329-8207

Cascade Canada Inc.
5570 Timberlea Blvd.
Mississauga, Ontario
Canada L4W-4M6
Tel: 905-629-7777
FAX: 905-629-7785

Cascade GmbH
Niederwippekühl 1
58579 Schalksmühle
Germany
Tel: 02355-50900
FAX: 02355-509020

Cascade Finland
A. Petreliuksenkatu 3
01370 Vantaa
Finland
Tel: 09-8361925
FAX: 09-8361935

**Cascade N.V.
Benelux Sales and Service**
Damsluisweg 56
PO Box 3009
1300 El Almere
The Netherlands
Tel: 036-5492950
FAX: 036-5492974

Cascade Kenhar Ltd.
3 Kelbrook Road
Parkhouse Ind. Estate
Openshaw,
Manchester M11 2DD
England
Tel: 0161-438-4020
FAX: 0161-438-4055

**Sales Scotland
Macade Systems Ltd.**
18 Melford Road
Righead Ind. Estate
Bellshill ML4 3LR
Scotland
Tel: 01698-845777
FAX: 01698-845888

Cascade (Africa) Pty. Ltd.
PO Box 625, Isando 1600
60A Steel Road
Sparton, Kempton Park
South Africa
Tel: 27-11-975-9240
FAX: 27-11-394-1147

Cascade Scandinavia AB
Hammarvägen 10
PO Box 124
S-56723 Vaggeryd
Sweden
Tel: 039-336950
FAX: 039-336959

**Cascade France
S.A.R.L. MHP**
1D Rue De Charaintru BP 18,
91360 Epinay-Sur-Orge
France
Tel: 01-6454-7500
FAX: 01-6454-7501

Cascade Hispania S.A.
Carrer 5, Sector C
Zona Franca Duanera
Poligono de la Zona Franca
08040 Barcelona, Spain
Tel: 93-264-07-30
FAX: 93-264-07-31

Cascade Italia S.R.L.
Via Dell'Artigianato 1
37050 Vago di Lavagno (VR)
Italy
Tel: 39-045-8989111
FAX: 39-045-8989160

Movimenta Lda.
Parque Industrial
Vale do Alecrim, Lote 108
2950-403 Palmela
Portugal
Tel: 351-212387340
FAX: 351-212387349

**Sales Switzerland
Fahrzeugbedarf**
8810, Horgen
Switzerland
Tel: 01-7279797
FAX: 01-7279798

Sales Poland
Targowa 35/61
03-728 Warszawa
Tel: 022-619 00 49
FAX: 022-619 00 49
Mobile Tel: 0501-27 29 55

Sales Russia
EMCG Material Handling
Equipment
Moscow
Tel: 095-795-2400
FAX: 095-795-2475
Email: emcg@emcg.ru

Cascade Japan Ltd.
5-5-41,
Torikai Kami
Settsu, Osaka
Japan, 566
Tel: 81-726-53-3490
FAX: 81-726-53-3497

Cascade Korea
121B 9L Namdong Ind.
Complex, 691-8 Gojan-Dong
Namdong-Ku
Inchon, 405-310 Korea
Tel: 82-32-821-2051
FAX: 82-32-821-2055

Cascade Australia
1445 Ipswich Road
Rocklea, QLD 4107
Australia
Tel: 1-800-227-223
FAX: 617-3373-7333

Cascade New Zealand
15 Ra Ora Drive
East Tamaki, Auckland
New Zealand
Tel: 64-9-273-9136
FAX: 64-9-273-9137

Cascade-Xiamen
No. 668 Yangguang Rd.
Xinyang Industrial Zone
Haicang, Xiamen City
Fujian Province
P.R. China 361026
Tel: 86-592-651-2500
FAX: 86-592-651-2571

**Sunstream Industries
Pte Ltd.**
No. 3 Tuas Link 1
2263
Singapore
Tel: 65-6863-3488
FAX: 65-6863-1368

**Cascade do Brasil
Distribuidora de Garras
e Garfos LTDA**
Av. General Valdomiro
de Lima 43
Jabaquara - Sao Paulo - S.P.
Brasil CEP 04344-070
Tel: 55-11-5016-2484
Fax: 55-11-5013-2809

