



Parts Manual

Model Integral Fork Positioner

Serial Number 120J-IFS-D148R0

cascade[®]
corporation

For Technical Assistance call: 800-227-2233, Fax: 888-329-8207

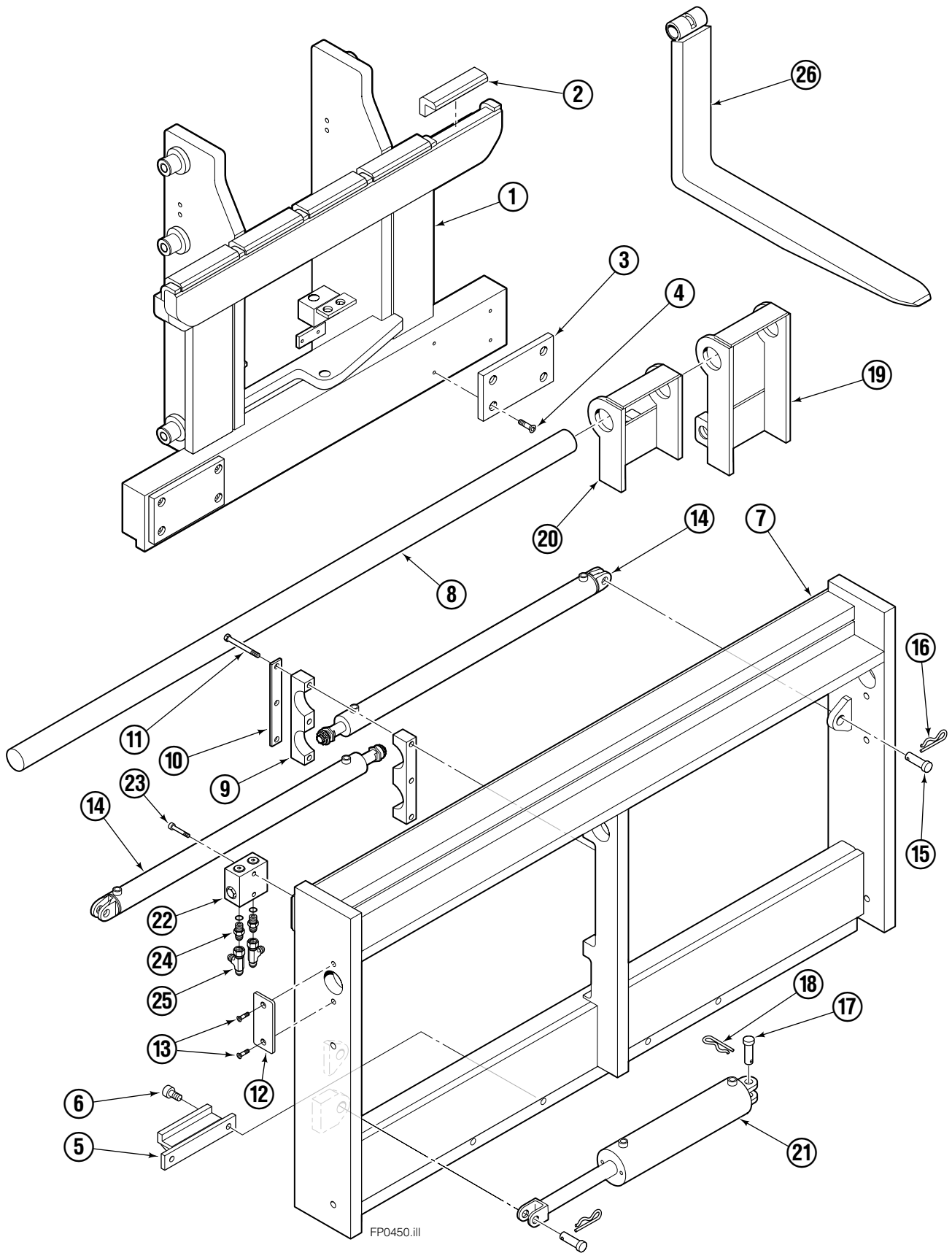
To Order Parts call: 888-227-2233, Fax: 888-329-0234

OR

Write: Cascade Corporation, P.O. Box 20187, Portland, OR 97220

Internet: www.cascorp.com

Carriage Assembly

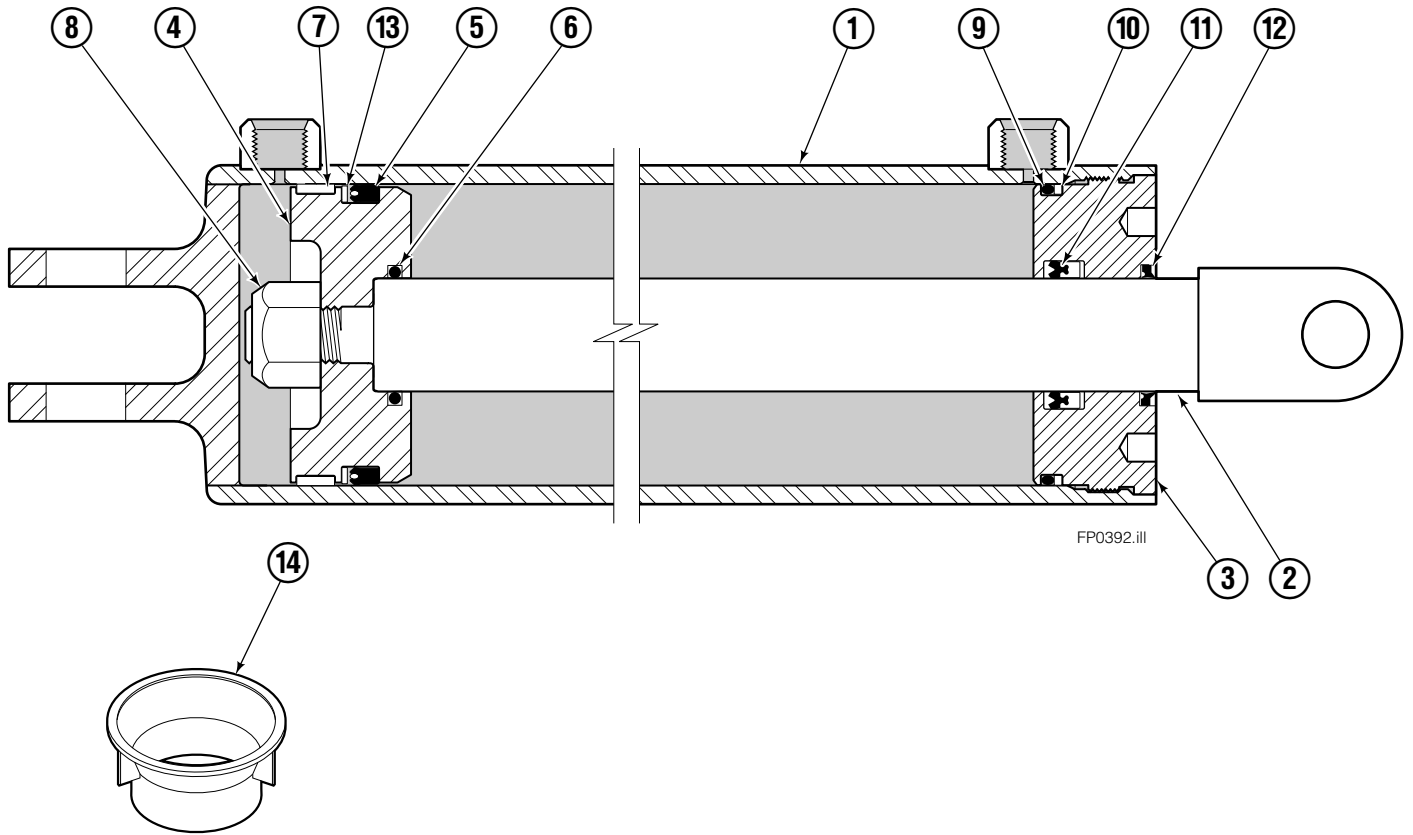


Carriage Assembly

120J			
REF	QTY	PART NO.	DESCRIPTION
		6102477	Carriage Assembly
1	1	6102476	Carriage
2	5	3012106	Upper Bearing
3	2	3013187	Lower Bearing
4	8	766646	Capscrew, M10 x 20
5	2	6012723	■ Lower Retainer
6	4	769575	■ Capscrew, M16 x 40
7	1	6102216	Frame
8	1	6102492	Shaft
9	2	3014343	▲ Cylinder Clamp
10	1	3014344	▲ Clamp Support
11	3	684800	▲ Capscrew, M12 x 100
12	2	3012749	Retainer
13	4	768706	Capscrew, M12 x 35
14	2	6102498	Cylinder ◆
15	2	678528	Clevis Pin
16	2	672726	Cotter Pin
17	2	686215	Clevis Pin
18	2	686217	Cotter Pin
19	1	6102497	Fork Carrier – LH
20	1	6102494	Fork Carrier – RH
21	1	6003547	Cylinder ◆
22	1	6003463	● Cross-Over Relief Valve
23	2	768798	● Capscrew, M8 x 45
24	2	611288	● Fitting, 6-6
25	2	611329	● Fitting, 6-6
26	2	6100928	Fork
27	1	6102173	Load Roller Group ▼
28	1	6102176	Chain Anchor Group ▼
29	1	6102191	Side Roller Group ▼
30	1	6102534	Hydraulic Group ▼

- ▲ Included in Cylinder Support Assembly 6012112.
- ◆ See Cylinder page for parts breakdown.
- Included in Valve Group 6003482.
- Included in Retainer Assembly 6012727.
- ▼ See group page for parts breakdown.

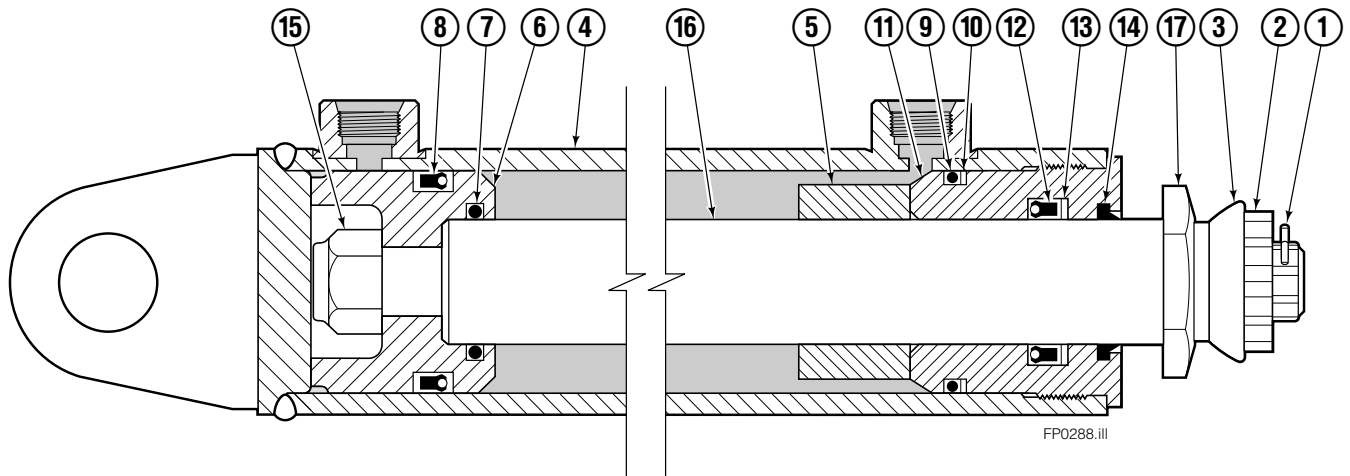
Sideshift Cylinder



REF	QTY	PART NO.	DESCRIPTION
		6003547	Cylinder Assembly
1	1	6003548	Shell
2	1	6003549	Rod
3	1	555207	Retainer
4	1	555226	Piston
5	1	662460	◆ Seal
6	1	2722	◆ O-Ring
7	1	660767	◆ Bearing
8	1	560997	Nut
9	1	2797	◆ O-Ring
10	1	615140	◆ Back-Up Ring
11	1	554598	◆ Seal
12	1	564930	◆ Wiper
13	2	638293	◆ Back-Up Ring
14	1	672909	Seal Loader
		555227	Service Kit

◆ Included in Service Kit 555227.

Cylinder

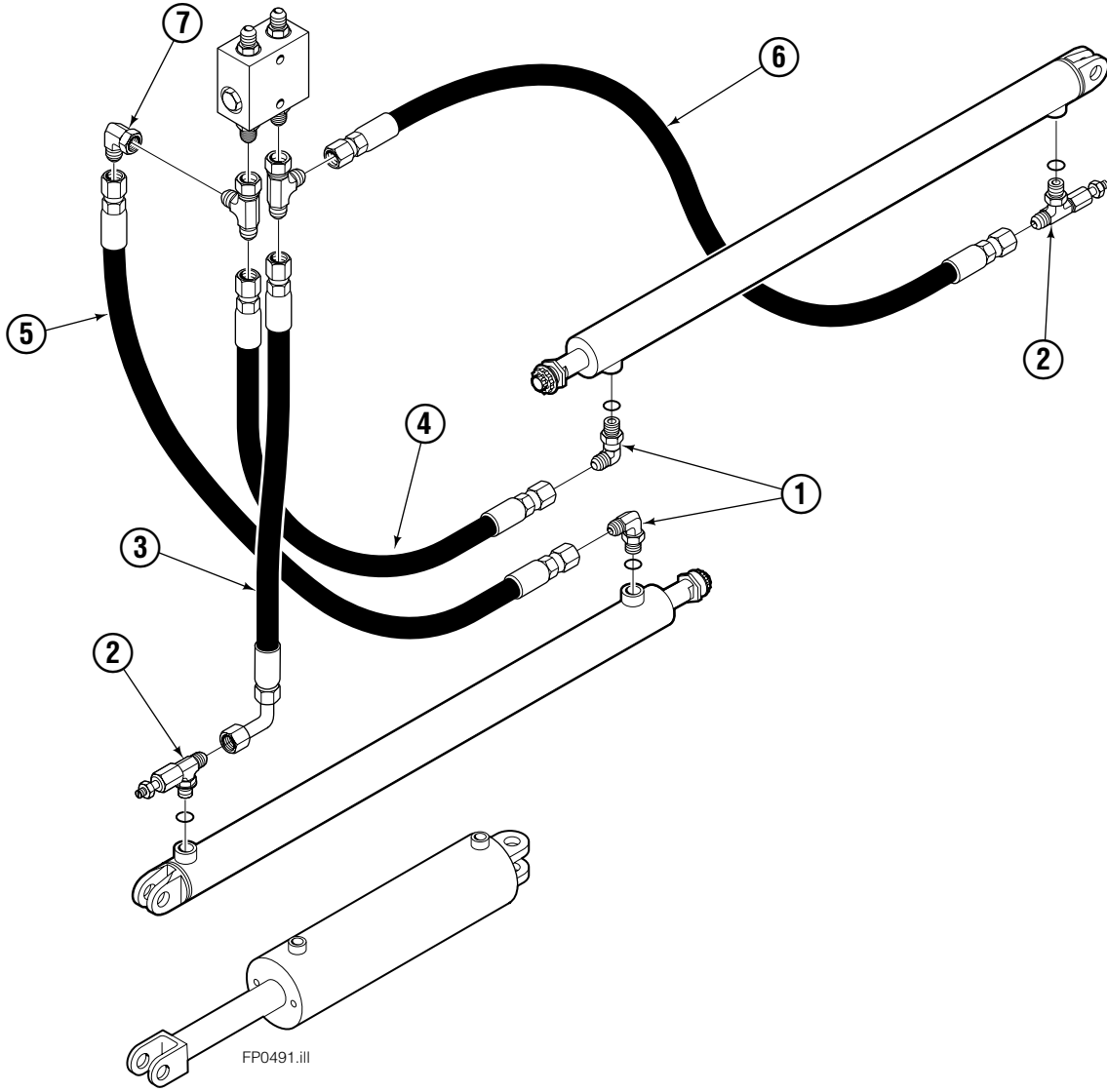


150J			
REF	QTY	PART NO.	DESCRIPTION
		6102498	Cylinder Assembly
1	2	6510	Cotter Pin
2	2	667624	Nut Retainer
3	2	667625	Nut
4	1	6102500	Shell
5	1	6011552	Spacer
6	1	558200	Piston
7	1	2716	▲ O-Ring
8	1	662452	▲ Seal
9	1	2785	▲ O-Ring
10	1	615128	▲ Back-Up Ring
11	1	563906	Retainer
12	1	662448	▲ Seal
13	1	638243	▲ Nylon Ring
14	1	636853	▲ Wiper
15	1	667623	Nut
16	1	6102499	Rod
17	1	667626	Washer
	1	671047	▲ Seal Loader, Piston
	1	671051	▲ Seal Loader, Retainer
		668021	Service Kit

▲ Included in Service Kit 668021.

Reference: S-20040, S-20101.

Hydraulic Group



120J			
REF	QTY	PART NO.	DESCRIPTION
		6102534	Hydraulic Group
1	2	601676	Fitting, 6-6
2	2	617487	Restrictor Fitting ♦
3	1	6012257	Hose, 11.00 in.
4	1	676086	Hose, 29.20 in.
5	1	209535	Hose, 37.00 in.
6	1	681231	Hose, 53.00 in.
7	2	2680	Fitting, 6-6

♦ See Restrictor Fitting page for parts breakdown.

IMF: -		6102173		R-0															
<p>NACCO F1465866:</p> <table border="1"> <thead> <tr> <th>P/N</th> <th>QTY</th> <th>DESCRIPTION</th> </tr> </thead> <tbody> <tr> <td>1399200</td> <td>6</td> <td>LOAD ROLLER</td> </tr> <tr> <td>1399207</td> <td>24</td> <td>SHIM</td> </tr> <tr> <td>1465072</td> <td>6</td> <td>SNAP RING - EXT</td> </tr> <tr> <td>1399224</td> <td>2</td> <td>SPACER</td> </tr> </tbody> </table> <p>LOCATE SPACER, P/N 1399224, BETWEEN SNAP RING, P/N 1465072, AND LOAD ROLLER, P/N 1399200. TOP 2 ROLLERS ONLY</p> <p style="text-align: right;">METRIC</p>					P/N	QTY	DESCRIPTION	1399200	6	LOAD ROLLER	1399207	24	SHIM	1465072	6	SNAP RING - EXT	1399224	2	SPACER
P/N	QTY	DESCRIPTION																	
1399200	6	LOAD ROLLER																	
1399207	24	SHIM																	
1465072	6	SNAP RING - EXT																	
1399224	2	SPACER																	
ECN: 1420732	MATERIAL OPTIONS: LISTED		DRFTR: JWALLIS	DATE: 1999/07/22															
A RELEASED	-	SEE CASCADE ENG STANDARDS FOR DRAFTING CONVENTIONS CMC = CASCADE MATL. CODE CPS = CASCADE PROCESS STD. CWS = CASCADE WELD SPEC.	PE: JWALLIS	APPR: -															
	-	DISTRIBUTION	WELD APPR	CASCADE CORPORATION															
	-		-	THIS DRAWING IS THE PROPERTY OF CASCADE AND CONTAINS CONFIDENTIAL INFORMATION. DO NOT REPRODUCE OR USE WITHOUT WRITTEN APPROVAL															
			WELD DATE	NACCO LOAD ROLLER GROUP															
			-	H90-120XM/GP100-120M															
			WT: - -	GEN-AAT															
			SHT 1 / -	6102173 R-0															

IMF: -		6102176		R-0	
<p>NACCO F1465671: DESCRIPTION P/N QTY CHAIN ANCHOR 1 387286 2 ANCHOR PIN 339932 2 HCE-0561 PIN 1/8x3/4 15222 2 HCE-0536 NUT 3/4 UNF 221717 4</p>					
METRIC					
ECN: 1420732	MATERIAL OPTIONS: LISTED		DRFTR: JWALLIS	DATE: 1999/07/22	
A RELEASED	-	-	PE: JWALLIS	APPR: -	
	-	-	WELD APPR	CASCADE CORPORATION	
	SEE CASCADE ENG STANDARDS FOR DRAFTING CONVENTIONS		THIS DRAWING IS THE PROPERTY OF CASCADE AND CONTAINS CONFIDENTIAL INFORMATION. DO NOT REPRODUCE OR USE WITHOUT WRITTEN APPROVAL		
	CMC = CASCADE MATL. CODE		NACCO CHAIN ANCHOR GROUP		
	CPS = CASCADE PROCESS STD.		H100-120XM/GP100-120M		
	CWS = CASCADE WELD SPEC.		WT: -- GEN-AAT		
	DISTRIBUTION		SHT 1 / -		
			6102176		R-0

IMF : -		6102191		R-0																														
<p>NACCO L1465881:</p> <table border="0"> <tr> <td>P/N</td> <td>QTY</td> <td>DESCRIPTION</td> </tr> <tr> <td>66333</td> <td>2</td> <td>HCE-566 PIN 3/16x1 3/4</td> </tr> <tr> <td>1387993</td> <td>2</td> <td>ROLLER</td> </tr> <tr> <td>16001</td> <td>2</td> <td>HCE-819 FTG-LUBE</td> </tr> <tr> <td>1465177</td> <td>2</td> <td>ROLLER BRACKET</td> </tr> <tr> <td>192425</td> <td>AR</td> <td>SHIM 1.57</td> </tr> <tr> <td>192424</td> <td>AR</td> <td>SHIM 0.76</td> </tr> <tr> <td>1465028</td> <td>2</td> <td>PIN</td> </tr> <tr> <td>292528</td> <td>4</td> <td>HCE-1000 CPSCR M12x1.75x35</td> </tr> <tr> <td>292683</td> <td>4</td> <td>HCE-1033 WASHER 12</td> </tr> </table>					P/N	QTY	DESCRIPTION	66333	2	HCE-566 PIN 3/16x1 3/4	1387993	2	ROLLER	16001	2	HCE-819 FTG-LUBE	1465177	2	ROLLER BRACKET	192425	AR	SHIM 1.57	192424	AR	SHIM 0.76	1465028	2	PIN	292528	4	HCE-1000 CPSCR M12x1.75x35	292683	4	HCE-1033 WASHER 12
P/N	QTY	DESCRIPTION																																
66333	2	HCE-566 PIN 3/16x1 3/4																																
1387993	2	ROLLER																																
16001	2	HCE-819 FTG-LUBE																																
1465177	2	ROLLER BRACKET																																
192425	AR	SHIM 1.57																																
192424	AR	SHIM 0.76																																
1465028	2	PIN																																
292528	4	HCE-1000 CPSCR M12x1.75x35																																
292683	4	HCE-1033 WASHER 12																																
METRIC																																		
ECN: 1420732	MATERIAL OPTIONS:		DRFTR: JWALLIS	DATE:1999/07/22																														
A RELEASED	L LISTED		PE: JWALLIS	APPR: -																														
	-		WELD APPR																															
	-		-																															
	-		WELD DATE																															
	SEE CASCADE ENG STANDARDS FOR DRAFTING CONVENTIONS CMC = CASCADE MATL. CODE CPS = CASCADE PROCESS STD. CWS = CASCADE WELD SPEC.		-																															
	DISTRIBUTION		NACCO SIDE ROLLER GROUP																															
			H90-120XM/GP100-120M																															
			WT: - -																															
			GEN-AAT																															
	SHT 1 / -		6102191																															
			R-0																															

Do you have questions you need answered right now? Call your nearest Cascade Parts Department. Visit us online at www.cascorp.com

Cascade Corporation
2501 Sheridan Avenue
Springfield, OH 45505
Tel: 888-CASCADE (227-2233)
FAX: 888-329-0234

Cascade Canada Inc.
5570 Timberlea Blvd.
Mississauga, Ontario
Canada L4W-4M6
Tel: 905-629-7777
FAX: 905-629-7785

Cascade GmbH
D-41199 Monchengladbach
Klosterhofweg 52
Germany
Tel: 49-216-668230
FAX: 49-216-6682323

Cascade Finland
Albert Petreliuksenkatu 3
01370 Vantaa
Finland
Tel: 358-9-836-1925
FAX: 358-9-836-1935

**Cascade N.V.
European Headquarters**
P.O. Box 3009
1300 El Almere
Damsluisweg 56
1332 ED Almere
The Netherlands
Tel: 31-36-5492911
FAX: 31-36-5492964

**Cascade N.V.
Benelux Sales and Service**
P.O. Box 3009
1300 El Almere
Damsluisweg 56
1332 ED Almere
The Netherlands
Tel: 31-36-5492950
FAX: 31-36-5492974

Cascade (UK) Ltd.
15, Orgreave Crescent
Dore House Industrial Estate
Handsworth
Sheffield S13 9NQ
England
Tel: 742-697524
FAX: 742-695121

Cascade Scandinavia AB
Box 124
Hammarvägen 10
567 23 Vaggeryd
Sweden
Tel: 42-0-393-36950
FAX: 46-0-393-36959

Cascade Norway
Østerliveien 37A
1153 Oslo
Norway
Tel: 47-22-743160
FAX: 47-22-743157

Cascade France S.A.R.L.
1D Rue De Charaintru
BP 18, 91360 Epinay-Sur-Orge
Morangis Cedex, France
Tel: 33-1- 64547500
FAX: 33-1-64547501

Cascade Hispania S.A.
Carrer 5 Sector C
Zona Franca Duanera
Poligono de la Zon Franca
08040 Barcelona, Spain
Office No. 256
Tel: 93-264-07-30
FAX: 93-264-07-31

Cascade Japan Ltd.
5-5-41,
Torikai Kami
Settsu, Osaka
Japan, 566
Tel: 81-726-53-3490
FAX: 81-726-53-3497

Cascade Korea
108B, Namdong Ind Complex
658-3 Gojan-Dong
Namdong-Gu
Inchon, 405-310 Korea
Tel: 82-32-821-2051
FAX: 82-32-821-2055

Cascade Australia
1445 Ipswich Road
Rocklea, QLD 4106
Australia
Tel: 1-800227-223
FAX: (07) 3373-7333

Cascade New Zealand
15 Ra Ora Drive
East Tamaki, Auckland
New Zealand
Tel: 9-273-9136
FAX: 9-273-9137

Cascade (Africa) Pty. Ltd.
P.O. Box 625, Isando 1600
60A Steel Road
Sparton, Kempton Park
South Africa
Tel: 27-11-975-9240
FAX: 27-11-394-1147

Cascade-Xiamen
No. 668 Yangguang Rd.
Xinyang Industrial Zone
Haicang, Xiamen City
Fujian Province
P.R. China 361026
Tel: 86-592-651-2500
FAX: 86-592-651-2571

**Cascade (Singapore)
Trading Co.**
Four Seasons Park
Autumn Block - Apt. 1802
12 Cuscaden Walk
Singapore
Tel: 65-834-1935
FAX: 65-834-1936

