



Parts Manual

Model _____ **Paper Roll Clamp**

Serial Number _____ **90FX-RCS-21CR2**

cascade[®]
corporation

For Technical Assistance call: 800-227-2233, Fax: 888-329-8207

To Order Parts call: 888-227-2233, Fax: 888-329-0234

OR

Write: Cascade Corporation, P.O. Box 20187, Portland, OR 97220

Internet: www.cascorp.com

Safety Decals

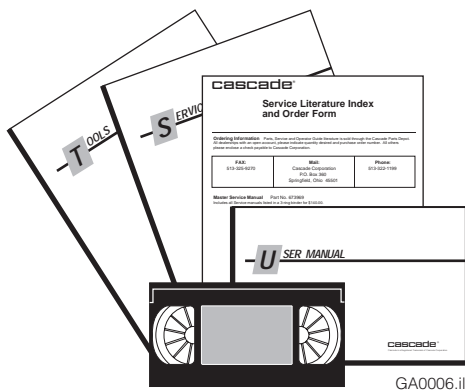


RC0636.ill



Roll Clamp Safety Decals			
REF	QTY	PART NO.	DESCRIPTION
1	6	665595	No Hand Hold Decal
2	3	660269	Short Arm Rotation Position Decal
3	4	656038	Caution Decal
4	4	679150	No Step Decal
5	4	665677	Trapped Pressure Decal
6	1	679059	Quick-Change Hook Decal

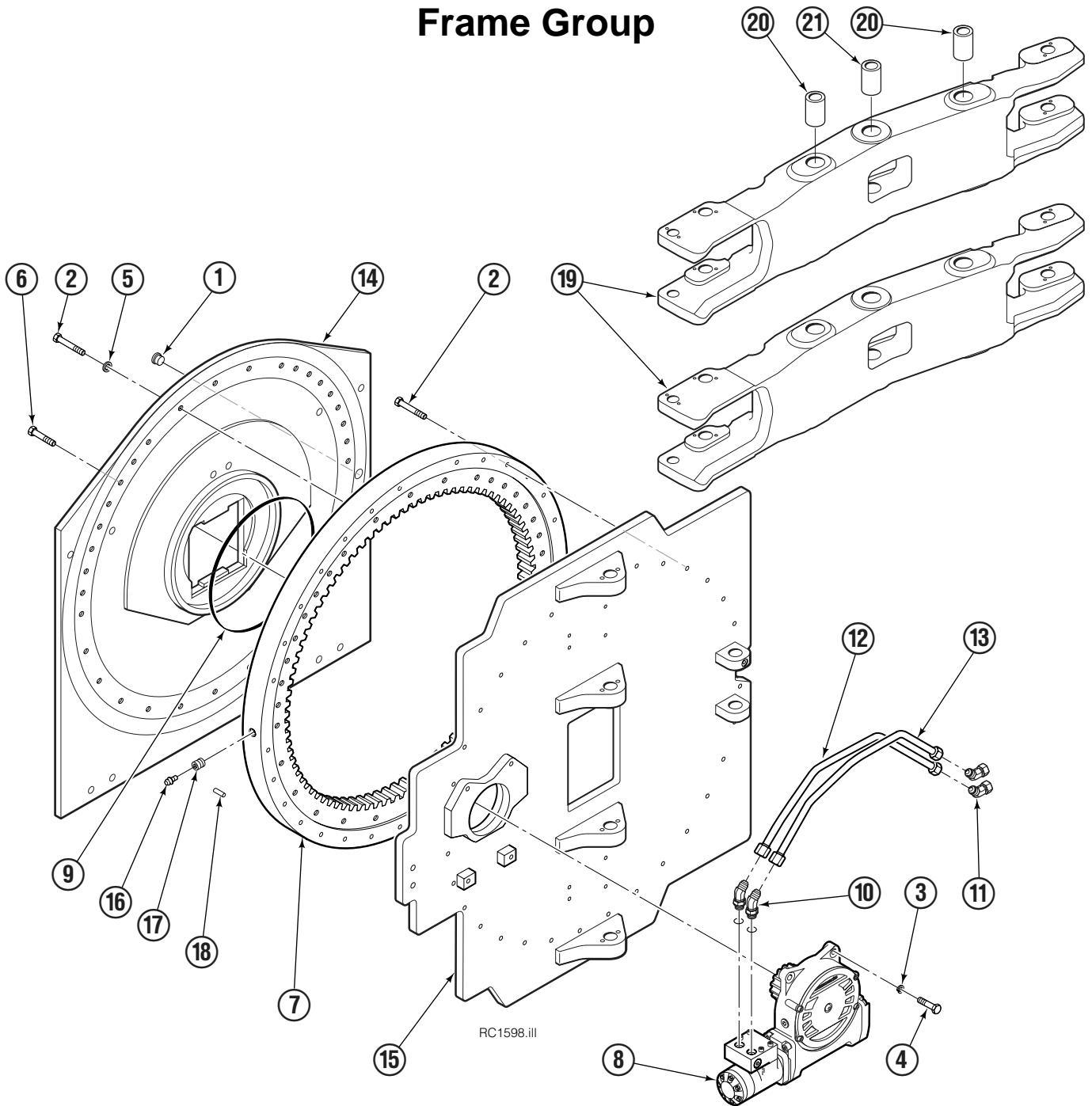
Publications



GA0006.ill

Roll Clamp Publications	
674512	Service Manual
674509	Operator's Guide – Fixed Frame
676268	Operator's Guide – Swing Frame
674510	Installation Instructions – Fixed Frame
674511	Installation Instructions – Swing Frame
677555	Driver Training Video – VHS
678363	Troubleshooting Video – VHS
680664	Servicing Cascade Cylinders – VHS
679929	Tool Catalog
673964	Literature Index Order Form

Frame Group



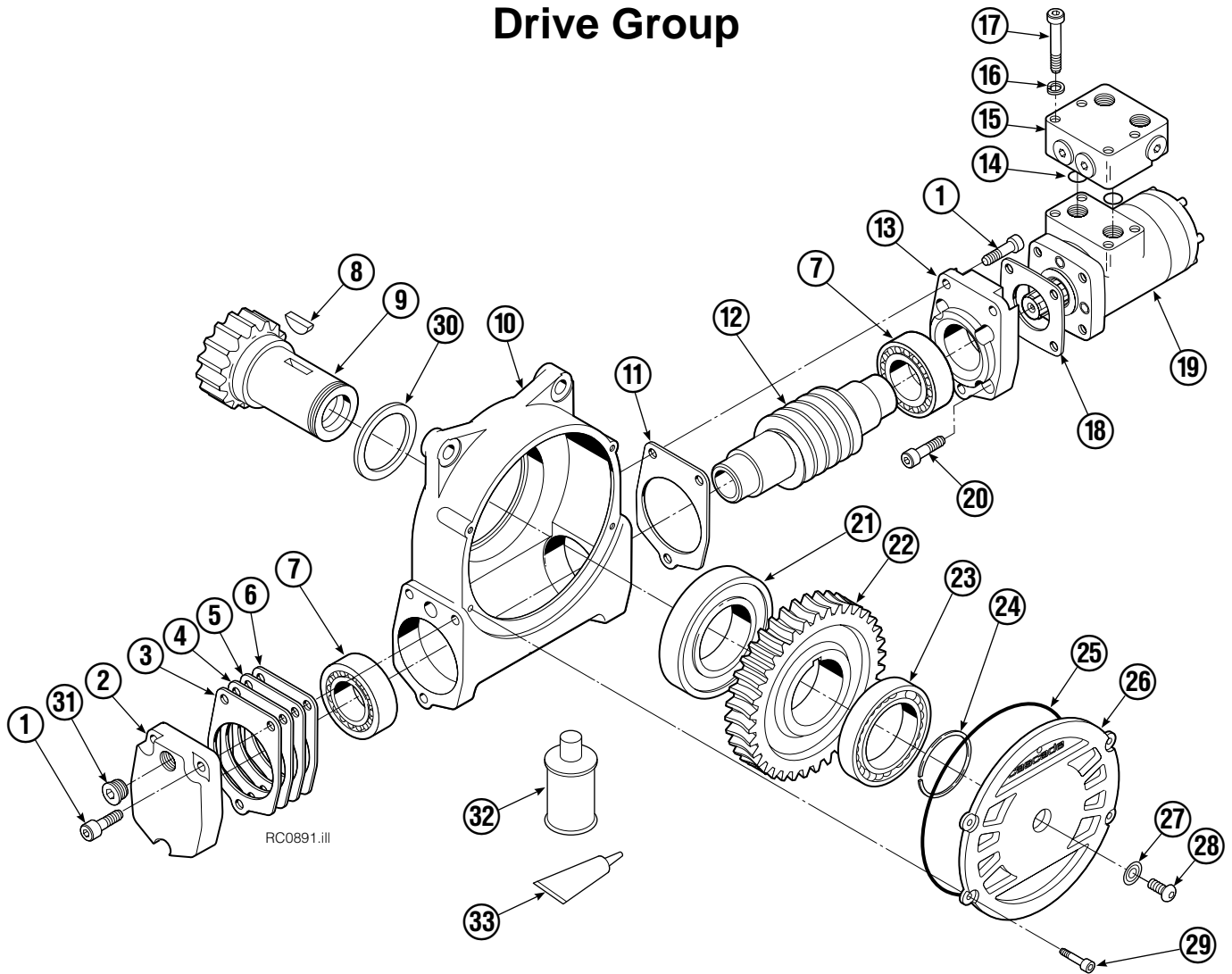
90F							
REF	QTY	PART NO.	DESCRIPTION	REF	QTY	PART NO.	DESCRIPTION
		6007003	Frame Group	11	2	605948	Fitting, 8-8
1	1	664071	Plug	12	1	6001454	Tube
2	49	213633	Capscrew, M12 x 55	13	1	6001455	Tube
3	4	6290	Lockwasher, .50	14	1	6006987	Baseplate
4	4	763021	Capscrew, M12 x 30	15	1	6013029	Faceplate
5	32	681473	Lockwasher, M12	16	1	7401	Grease Fitting
6	15	206174	Capscrew, M12 x 45	17	1	670680	Plug
7	1	3014859	Bearing Assembly	18	1	670681	Drive Pin
8	1	3014867	Drive Group ▲	19	2	381130	Swing Frame ◆
9	1	6001004	Seal	20	8	675008	Bushing ◆
10	2	611303	Fitting, 8-8	21	4	675006	Bushing ◆

▲ See Drive Group page for parts breakdown.

◆ Included in Swing Frame Group 381129.

Reference: Common Parts 6000993.

Drive Group



90F							
REF	QTY	PART NO.	DESCRIPTION	REF	QTY	PART NO.	DESCRIPTION
		3014867	Drive Group with 2.8 c.i. Motor	19	1	206392	Drive Motor – 2.8 c.i. ◆
1	6	769570	Capscrew, M12 x 25	20	4	4468	Capscrew, 3/8 NC x .75 GR8
2	1	676855	Cover	21	1	670580	Bearing
3	●	674513	Shim – .005" (blue)	22	1	675609	Worm Gear
4	●	670574	Shim – .010" (brown)	23	1	670581	Bearing
5	●	671757	Shim – .015" (pink)	24	1	7214	Snap Ring
6	●	671758	Shim – .020" (yellow)	25	1	643423	O-Ring
7	2	670579	Bearing	26	1	775552	Cover
8	1	670582	Key	27	1	783609	Seal
9	1	3014871	Pinion	28	1	783608	Capscrew, M12 x 16
10	1	6000607	Housing	29	4	200882	Capscrew, M8 x 20
11	1	686465	Gasket	30	1	3014870	Seal
12	1	675608	Worm	31	1	604510	Fitting, 6
13	1	775553	Adapter	32	1	656300	Gear Box Lube – 48 oz.
14	2	2705	O-Ring	33	1	668184	Sealant
15	1	670549	Check Valve ▲			670578	Shim Service Kit (items 3-6,25,33)
16	4	6444	Lockwasher			675637	Bearing Service Kit (items 21 & 33)
17	4	607059	Capscrew, 5/16 NC x 1.75 GR8			675638	Bearing Service Kit (items 3-7,25)
18	1	670575	Gasket			685227	Motor Kit-4.5 (items 4,14,18)

● Quantity as required.

▲ See Check Valve page for parts breakdown.

◆ See Drive Motor page for parts breakdown.

Drive Motor



REF	QTY	PART NO.	DESCRIPTION
		206392	Drive Motor
1	1	675478	Shaft
2	1	675477	Drive
3	1	675479	Spacer Plate
4	1	675480	■ Gerotor Set (101-1768-007)
4	1	685075	■ Gerotor Set (101-1768-009)
5	1	675482	End Cap
6	1	206405	● Service Kit
7	1	685089	■ Flange (101-1768-007)
7	1	685090	■ Flange (101-1768-009)

Cascade provides service replacement parts for the listed parts only. Due to cost, if others parts need replacement, the complete drive motor should be replaced.

■ See Nameplate under valve for correct part number of Gerotor Set and Flange.

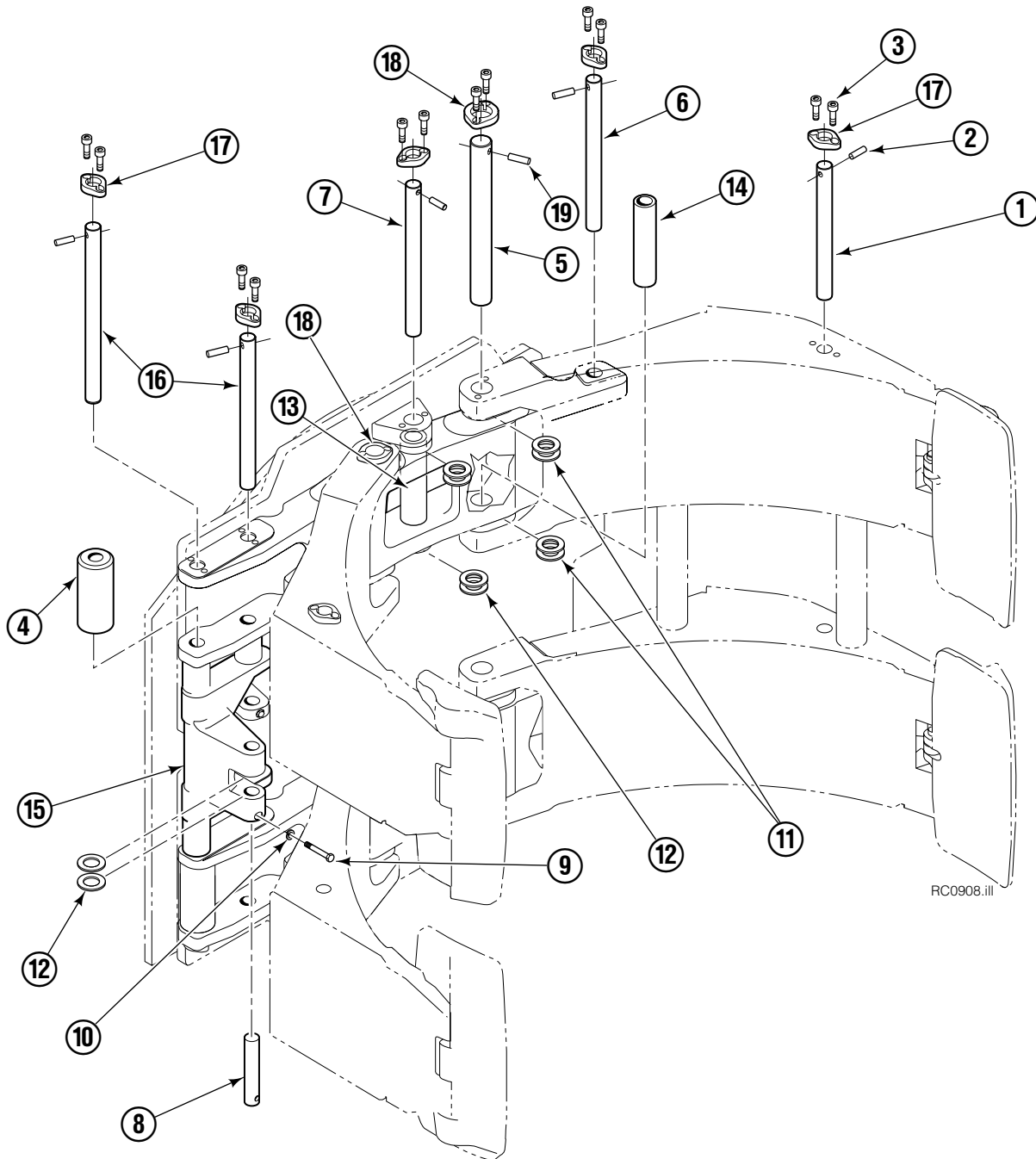
● Compatible with water glycol based hydraulic fluids.

Check Valve



REF	QTY	PART NO.	DESCRIPTION
		670549	Check Valve Assembly
1	2	609453	Fitting, 10
2	2	670552	Spring
3	2	670551	Guide
4	2	7020	Ball
5	2	602580	Fitting, 8
6	2	673989	Spring
7	1	670550	Body
8	1	670553	Spool

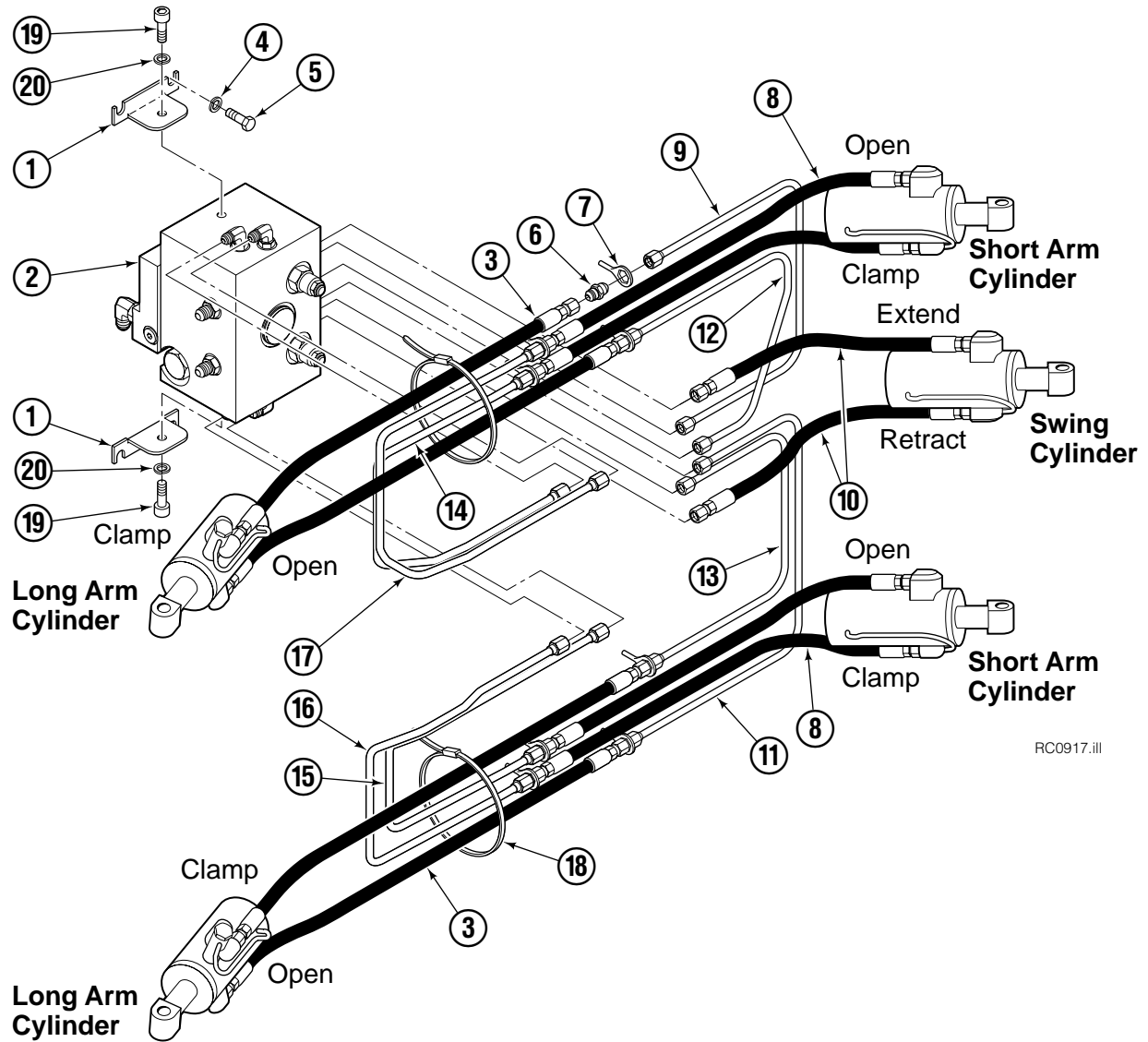
Common Components Group



90F							
REF	QTY	PART NO.	DESCRIPTION	REF	QTY	PART NO.	DESCRIPTION
		6001262	Components Group	10	2	6287	Lockwasher, 5/16 ID
1	4	676088	Pin	11	16	673379	Shim
2	12	673385	Drive Pin	12	16	660200	Shim
3	32	4466	Capscrew, 3/8 NC x .50 GR8	13	2	681668	Spacer
4	2	675024	Roller	14	4	681672	Spacer
5	4	675022	Pin	15	1	6001248	Swing Weldment
6	2	680029	Pin	16	4	6001258	Pin
7	2	675019	Pin	17	12	206589	Retainer
8	2	675023	Pin	18	4	206591	Retainer
9	2	643518	Capscrew, 5/16 NC x 2.25 GR8	19	4	675086	Drive Pin

Reference: SK-5189.

Swing Frame Hosing Group



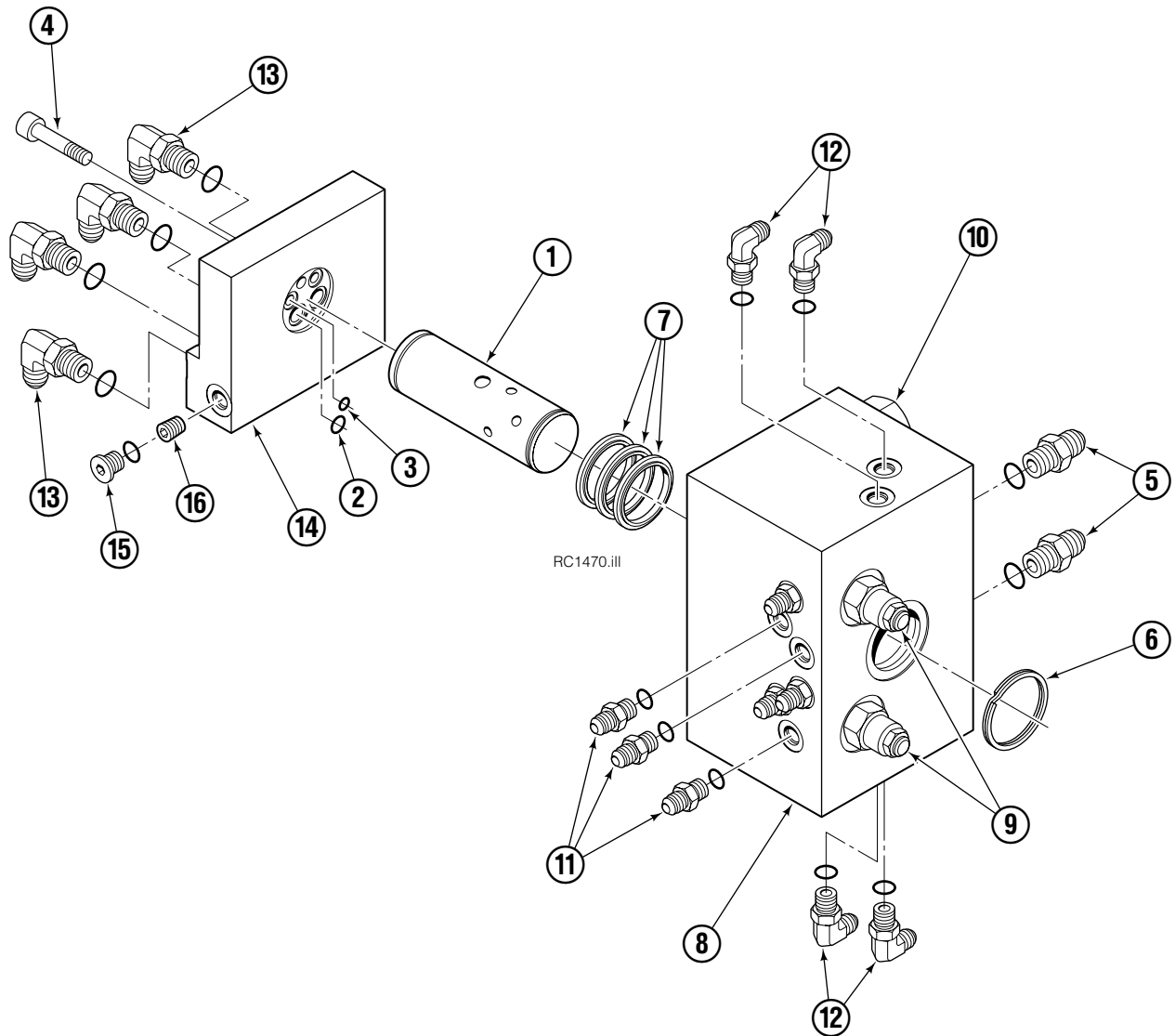
RC0917.iii

90F							
REF	QTY	PART NO.	DESCRIPTION	REF	QTY	PART NO.	DESCRIPTION
		6006972	Hosing Group	11	1	6001205	Tube
1	2	6000986	Bracket	12	1	6001200	Tube
2	1	6006942	Revolving Connection ▲	13	1	6001206	Tube
3	4	675067	Hose, 34.00 in.	14	1	6001230	Tube
4	4	6288	Lockwasher, .375	15	1	6001218	Tube
5	4	3600	Capscrew, .375 x .625	16	1	6001219	Tube
6	8	2347	Fitting, 6-6	17	1	6001229	Tube
7	8	674743	Eye Bolt	18	2	649086	Cable Tie
8	4	381146	Hose, 26.30 in.	19	2	767961	Capscrew, M8 x 16
9	1	6001199	Tube	20	2	206315	Lockwasher, M8
10	2	675055	Hose, 17.50 in.				

▲ See Revolving Connection page for parts breakdown.

Reference: SK-5831.

Revolving Connection

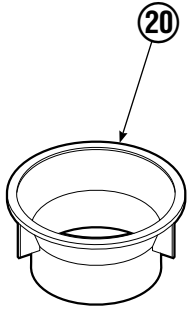
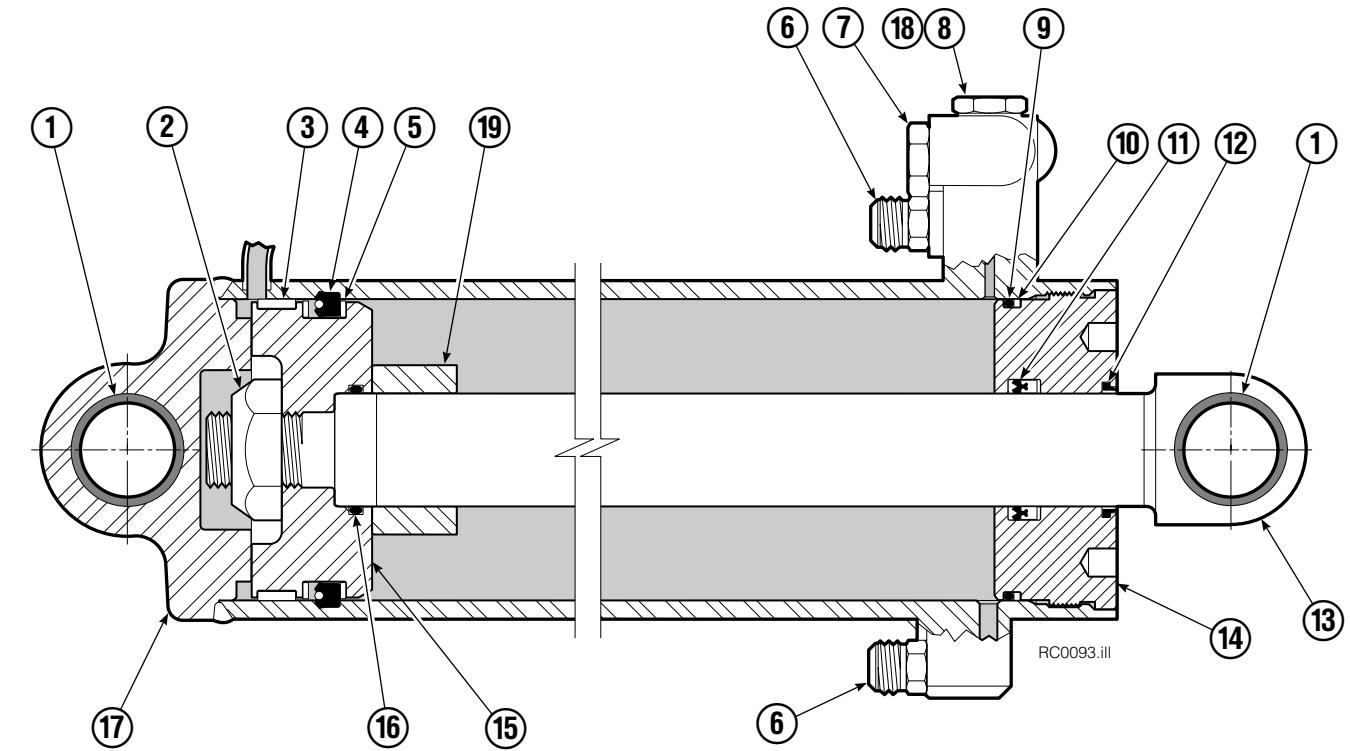


RC1470.iii

90F			
REF	QTY	PART NO.	DESCRIPTION
		6006942	Revolving Connection
1	1	6000403	Shaft
2	2	643336	O-Ring
3	2	643335	O-Ring
4	2	768796	Capscrew, M8 x 35
5	2	601377	Fitting, 8-8
6	2	7350	Retaining Ring
7	6	212932	Shaft Seal
8	1	6000377	● Valve Body
9	2	674732	● Counterbalance Valve
10	1	6000423	● Directional Valve
11	6	604511	Fitting, 6-6
12	4	601676	Fitting, 6-6
13	4	601250	Fitting, 8-8
14	1	6006941	End Block
15	1	604510	Fitting, 6
16	1	6025144	Orifice

● Included in Valve Body 6000422.

Short Arm Cylinder

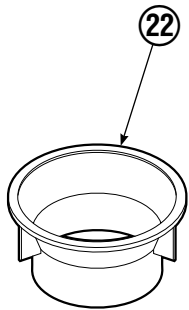
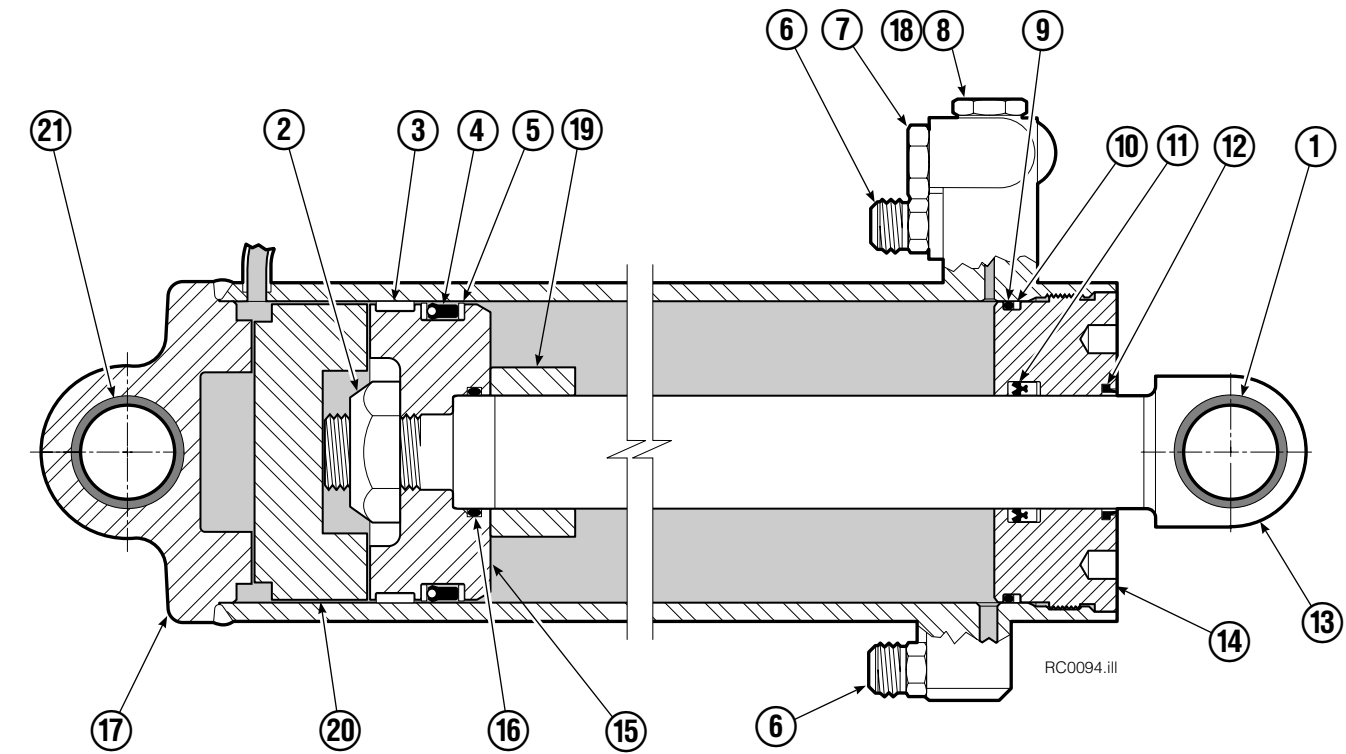


REF	QTY	PART NO.	DESCRIPTION
		385089	Cylinder Assembly
1	3	674843	Bearing
2	1	667990	Nut
3	1	660769	◆ Bearing
4	1	662462	◆ Seal
5	2	638295	◆ Back-Up Ring
6	2	604511	Fitting, 6-6
7	1	556852	Fitting, 4
8	1	557212	Check Valve
9	1	2801	◆ O-Ring
10	1	562731	◆ Back-Up Ring
11	1	554598	◆ Seal
12	1	564930	◆ Wiper
13	1	584302	Rod
14	1	555724	Retainer
15	1	557389	Piston
16	1	2722	◆ O-Ring
17	1	584300	Shell
18	1	667516	Check Valve Service Kit
19	1	—	Spacer
20	1	669243	◆ Seal Loader
		555725	Service Kit

◆ Included in Service Kit 555725.

Reference: S-5313, S-5314.

Long Arm Cylinder

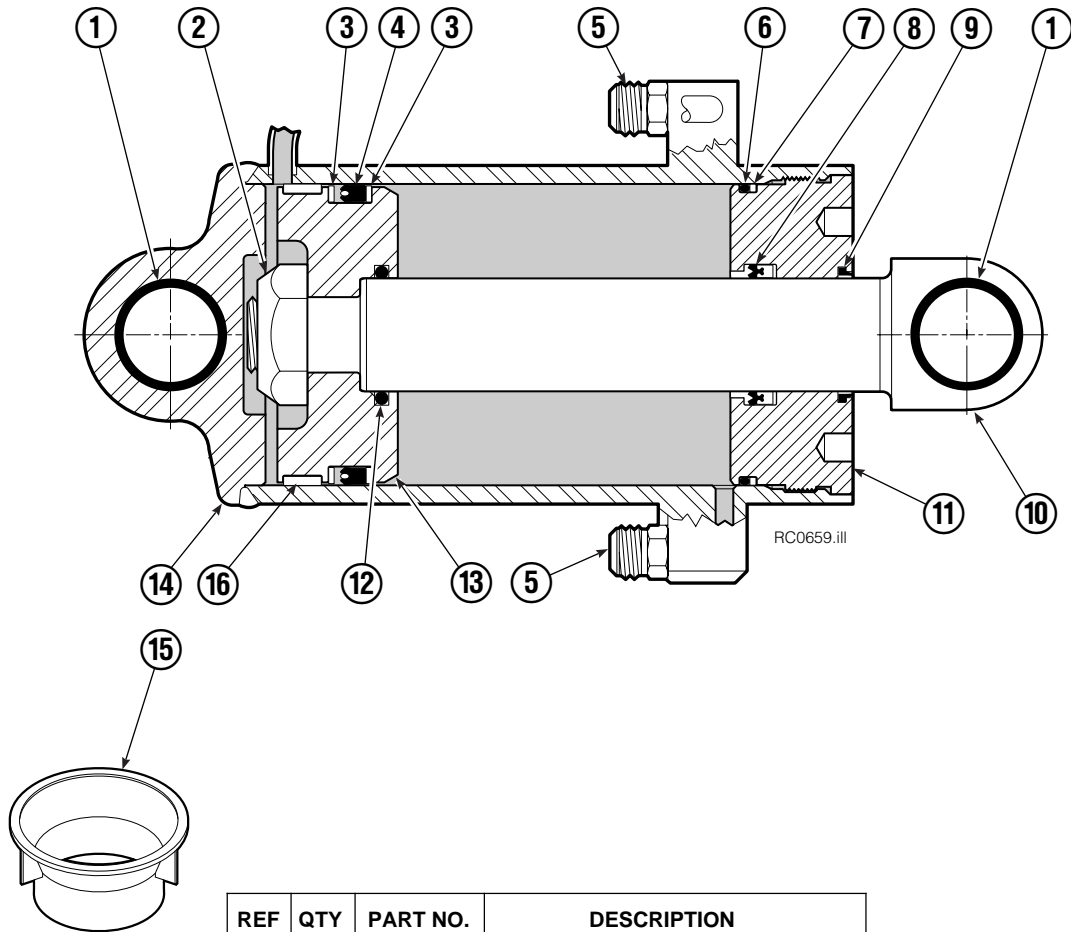


REF	QTY	PART NO.	DESCRIPTION
		381131	Cylinder Assembly
1	1	674843	Bearing
2	1	560997	Nut
3	1	660769	◆ Bearing
4	1	662462	◆ Seal
5	2	638295	◆ Back-Up Ring
6	2	604511	Fitting, 6-6
7	1	556852	Fitting, 4
8	1	557212	Check Valve
9	1	2801	◆ O-Ring
10	1	562731	◆ Back-Up Ring
11	1	554598	◆ Seal
12	1	564930	◆ Wiper
13	1	584299	Rod
14	1	555724	Retainer
15	1	557389	Piston
16	1	2722	◆ O-Ring
17	1	584297	Shell
18	1	667516	Check Valve Service Kit
19	1	—	Spacer
20	1	—	Spacer
21	2	674843	Bearing
22	1	669243	◆ Seal Loader
		555725	Service Kit

◆ Included in Service Kit 555725.

Reference: S-5320.

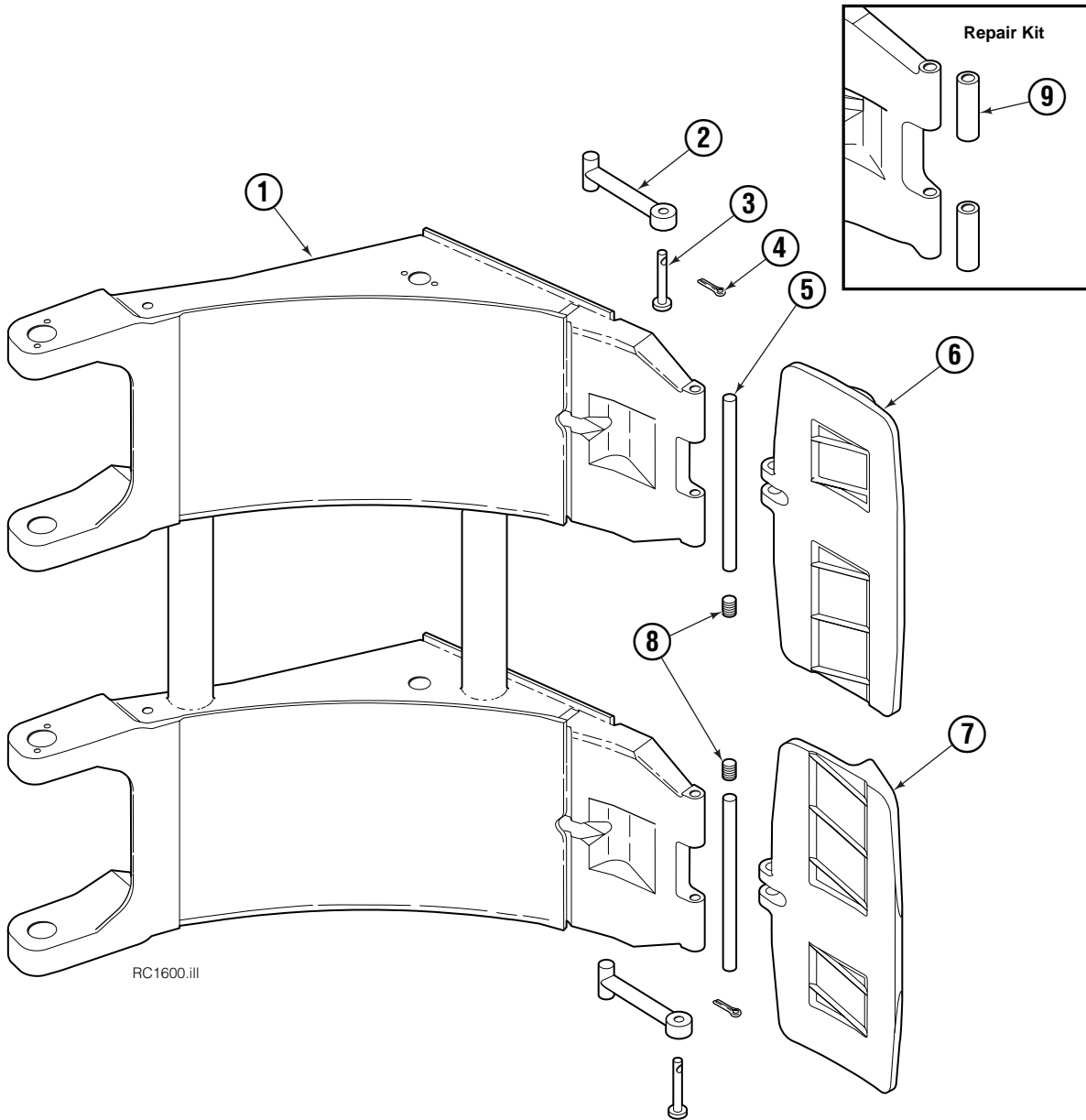
Swing Cylinder



REF	QTY	PART NO.	DESCRIPTION
		580034	Cylinder Assembly
1	3	674843	Bearing
2	1	561997	Nut
3	2	638295	◆ Back-Up Ring
4	1	557446	◆ Seal
5	2	604511	Fitting, 6-6
6	1	2801	◆ O-Ring
7	1	563977	◆ Back-Up Ring
8	1	554598	◆ Seal
9	1	564930	◆ Wiper
10	1	557713	Rod
11	1	555724	Retainer
12	1	2722	◆ O-Ring
13	1	557389	Piston
14	1	555776	Shell
15	1	672910	◆ Seal Loader
16	1	660769	Bearing
		555725	Service Kit

◆ Included in Service Kit 555725.

Short Arm

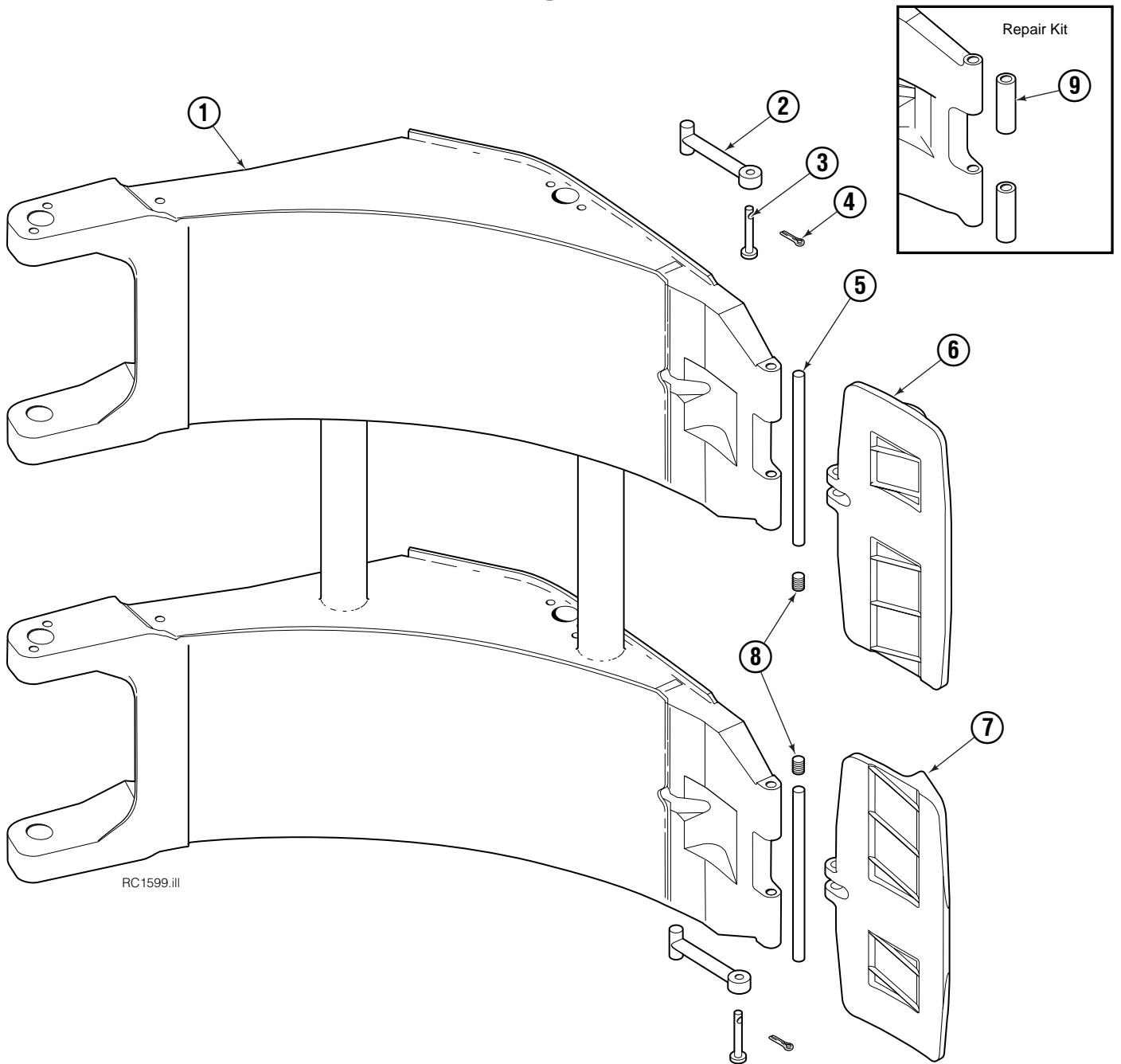


RC1600.ill

90F			
REF	QTY	PART NO.	DESCRIPTION
		6024730	Contact Pad Group
1	1	6000750	Short Arm
2	2	674994	Link
3	2	682978	Clevis Pin
4	2	6525	Cotter Pin
5	2	363823	Pin
6	1	6024719	Contact Pad
7	1	6024647	Contact Pad
8	2	6609	Plug
9	1	676810	Arm Tip Repair Kit
10	▲	667225	Washer, .625

▲ Quantity as needed.

Long Arm

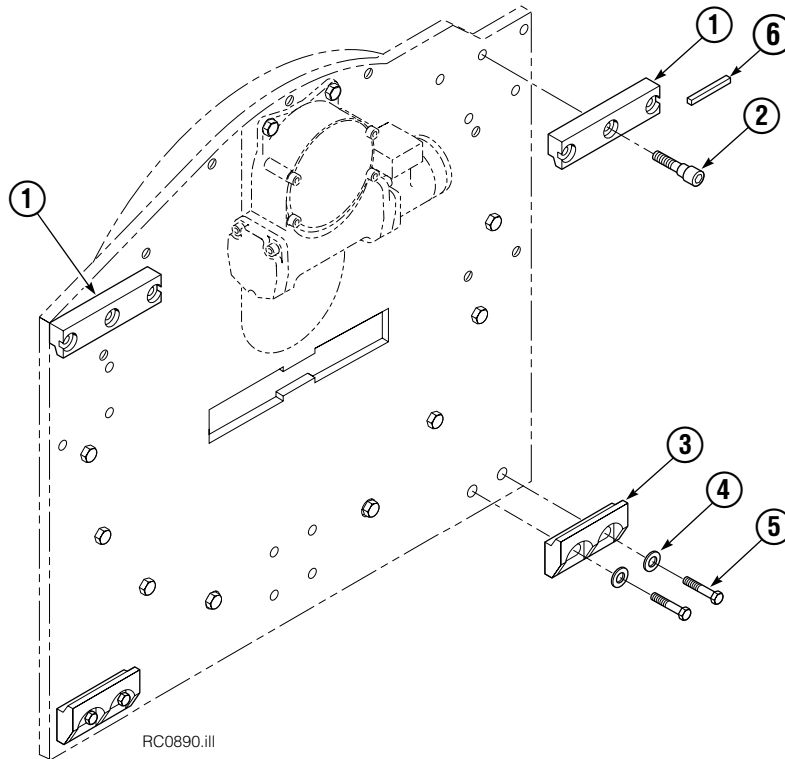


RC1599.ill

90F			
REF	QTY	PART NO.	DESCRIPTION
		6033595	Contact Pad Group
1	1	6000746	Long Arm
2	2	674994	Link
3	2	682978	Clevis Pin
4	2	6525	Cotter Pin
5	2	363823	Pin
6	1	6033596	Contact Pad
7	1	6033597	Contact Pad
8	2	6609	Plug
9	1	676810	Arm Tip Repair Kit
10	▲	667225	Washer, .625

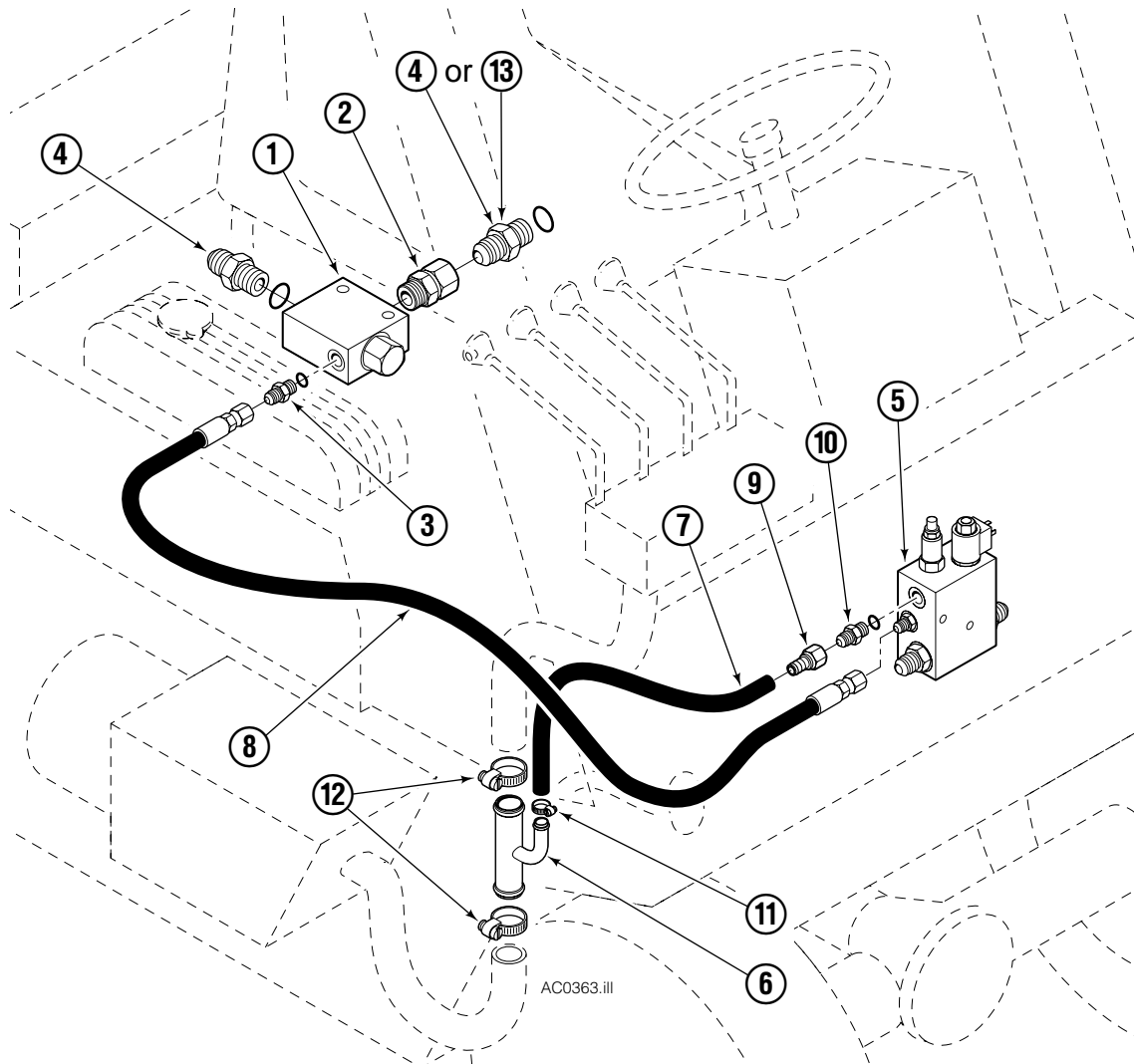
▲ Quantity as needed.

Bolt-On Mounting Group



Class IV			
REF	QTY	PART NO.	DESCRIPTION
		3016435	Mounting Group
1	2	3014880	Upper Hook
2	6	676801	Capscrew, M20 x 50
3	2	679832	Lower Hook
4	4	670692	Washer, 3/4 in. ID
5	4	779020	Capscrew, M20 x 45
6	1	670704	Stop Block Kit

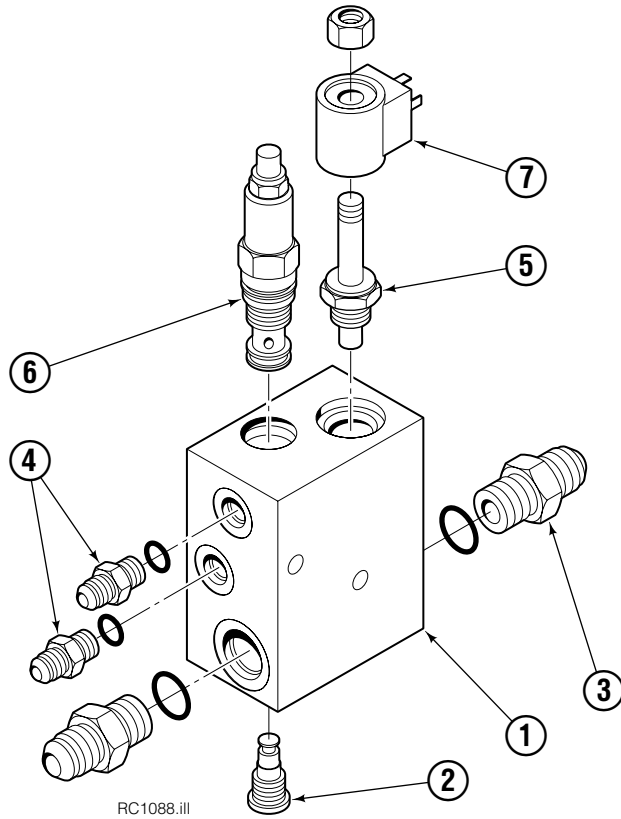
Truck Adapter Kit



90F			
REF	QTY	PART NO.	DESCRIPTION
		6003973	Truck Adapter Kit
1	1	6001175	Priority Flow Valve
2	1	210342	Fitting, 12-12
3	1	627850	Fitting, 4-6
4	2	611293	Fitting, 12-12
5	1	6000381	Valve ♦
6	1	211739	Adapter Tee
	1	214056	Adapter Tee
	1	2577	Tube Fitting, 8-8
7	1	211740	Hose, 72 in.
8	1	673582	Hose, 80 in.
9	4	211741	Fitting
10	1	6003890	Fitting, 4-8
11	1	211742	Hose Clamp, 6
12	2	211743	Hose Clamp, 12
13	1	6003892	Fitting, 10-12

♦ See Valve page for parts breakdown.

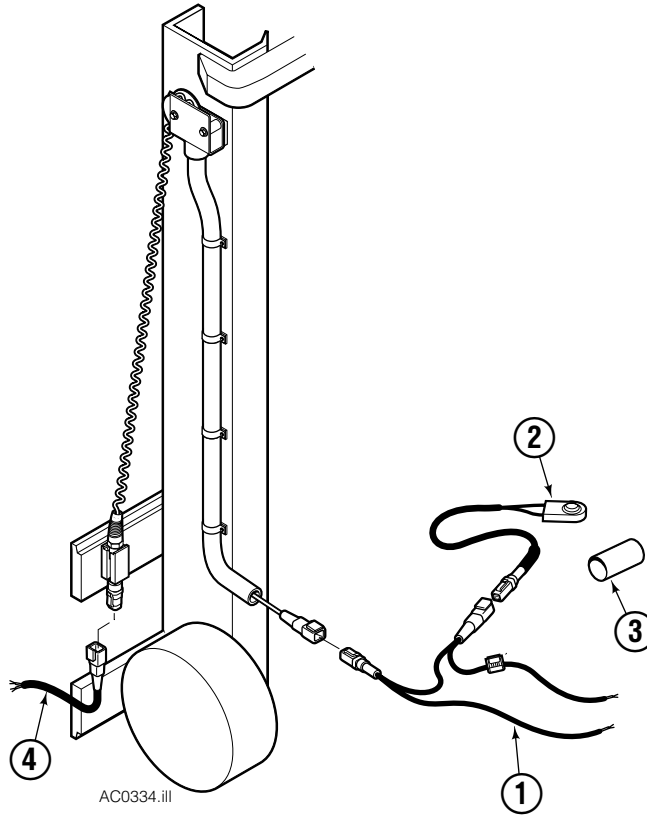
Valve Assembly



90F			
REF	QTY	PART NO.	DESCRIPTION
		6000381	Valve Assembly
1	1	6000382	Valve Body
2	1	220869	Check Valve
3	2	601377	Fitting, 8-8
4	2	617915	Fitting, 4-4
5	1	6000492	Solenoid Valve
6	1	6000507	Relief Valve
7	1	220632	Solenoid Coil, 12V ♦

♦ Included in Electrical Kit 6004001.

Switch Assembly



90F			
REF	QTY	PART NO.	DESCRIPTION
		6003984	Switch Assembly ♦
1	1	6001647	Wire Harness
2	1	6001637	Switch
3	1	6001641	Shrink Tube
4	1	6003942	Solenoid Cable

♦ Included in Electrical Kit 6004001.

Do you have questions you need answered right now? Call your nearest Cascade Parts Department. Visit us online at www.cascorp.com

Cascade Corporation

2501 Sheridan Avenue
Springfield, OH 45505
Tel: 888-CASCADE (227-2233)
FAX: 888-329-0234

Cascade Canada Inc.

5570 Timberlea Blvd.
Mississauga, Ontario
Canada L4W-4M6
Tel: 905-629-7777
FAX: 905-629-7785

Cascade GmbH

Dahlener Strasse 570
41239 Mönchengladbach
Germany
Tel: 02166-68230
FAX: 02166-682323

Cascade Finland

A. Petreliuksenkatu 3
01370 Vantaa
Finland
Tel: 09-8361925
FAX: 09-8361935

**Cascade N.V.
Benelux Sales and Service**

Damsluisweg 56
PO Box 3009
1300 El Almere
The Netherlands
Tel: 036-5492950
FAX: 036-5492974

Cascade (UK) Ltd.

Unit 5, Eden Close
Hellaby Lane Ind. Estate
Heellaby,
Rotherham S66 8RW
England
Tel: 01709-704500
FAX: 01709-704501

**Sales Scotland
Macade Systems Ltd.**

18 Melford Road
Righead Ind. Estate
Bellshill ML4 3LR
Scotland
Tel: 01698-845777
FAX: 01698-845888

Cascade (Africa) Pty. Ltd.

PO Box 625, Isando 1600
60A Steel Road
Sparton, Kempton Park
South Africa
Tel: 975-9240
FAX: 394-1147

Cascade Scandinavia AB

Hammarvägen 10
PO Box 124
S-56723 Vaggeryd
Sweden
Tel: 039-336950
FAX: 039-336959

**Cascade France
S.A.R.L. MHP**

1D Rue De Charaintru
BP 18,
91360 Epinay-Sur-Orge
France
Tel: 01-6454-7500
FAX: 01-6454-7501

Cascade Hispania S.A.

Carrer 5, Sector C
Zona Franca Duanera
Poligono de la Zona Franca
08040 Barcelona
Spain
Tel: 93-264-07-30
FAX: 93-264-07-31

Sales Italy

Via Ponzano 11
50047 Prato
Italy
Tel: 0574-571726
FAX: 0574-571726
Mobile Phone: 0337-673029

**Sales Portugal FAG
Santos Lda**

Rua do Mercado
Lte 6, Loja 2-Tires
2785-630
S. Domingos De Rana
Portugal
Tel: 214-448-083
FAX: 214-458-098

**Sales Switzerland
Fahrzeugbedarf**

8810, Horgen
Switzerland
Tel: 01-7279797
FAX: 01-7279798

Sales Poland

Targowa 35/61
03-728 Warszawa
Tel: 022-619 00 49
FAX: 022-619 00 49
Mobile Phone: 0501-27 29 55

Sales Russia

EMCG Material Handling
Equipment
Moscow
Tel: 095-795-2400
FAX: 095-795-2475
Email: emcg@dol.ru

Cascade Japan Ltd.

5-5-41,
Torikai Kami
Settsu, Osaka
Japan, 566
Tel: 81-726-53-3490
FAX: 81-726-53-3497

Cascade Korea

108B Namdong Ind. Complex
658-3 Gojan-Dong
Namdong-Gu
Inchon, 405-310 Korea
Tel: 82-32-821-2051
FAX: 82-32-821-2055

Cascade Australia

1445 Ipswich Road
Rocklea, QLD 4106
Australia
Tel: 1-800227-223
FAX: (07) 3373-7333

Cascade New Zealand

15 Ra Ora Drive
East Tamaki, Auckland
New Zealand
Tel: 9-273-9136
FAX: 9-273-9137

Cascade-Xiamen

No. 668 Yangguang Rd.
Xinyang Industrial Zone
Haicang, Xiamen City
Fujian Province
P.R. China 361026
Tel: 86-592-651-2500
FAX: 86-592-651-2571

**Cascade (Singapore)
Trading Co.**

Four Seasons Park
Autumn Block - Apt. 1802
12 Cuscaden Walk
Singapore
Tel: 65-834-1935
FAX: 65-834-1936

