



# Parts Manual

---

Model Revolving Fork Clamp

Serial Number 70D-CFR-22BR0

---

**cascade**<sup>®</sup>  
corporation

**For Technical Assistance call:** 800-227-2233, Fax: 888-329-8207

**To Order Parts call:** 888-227-2233, Fax: 888-329-0234

**OR**

**Write:** Cascade Corporation, P.O. Box 20187, Portland, OR 97220

**Internet:** [www.cascorp.com](http://www.cascorp.com)

# Safety Decals



REF	QTY	PART NO.	DESCRIPTION
1	2	665595	No Hand Hold Decal
2	2	679150	No Step Decal

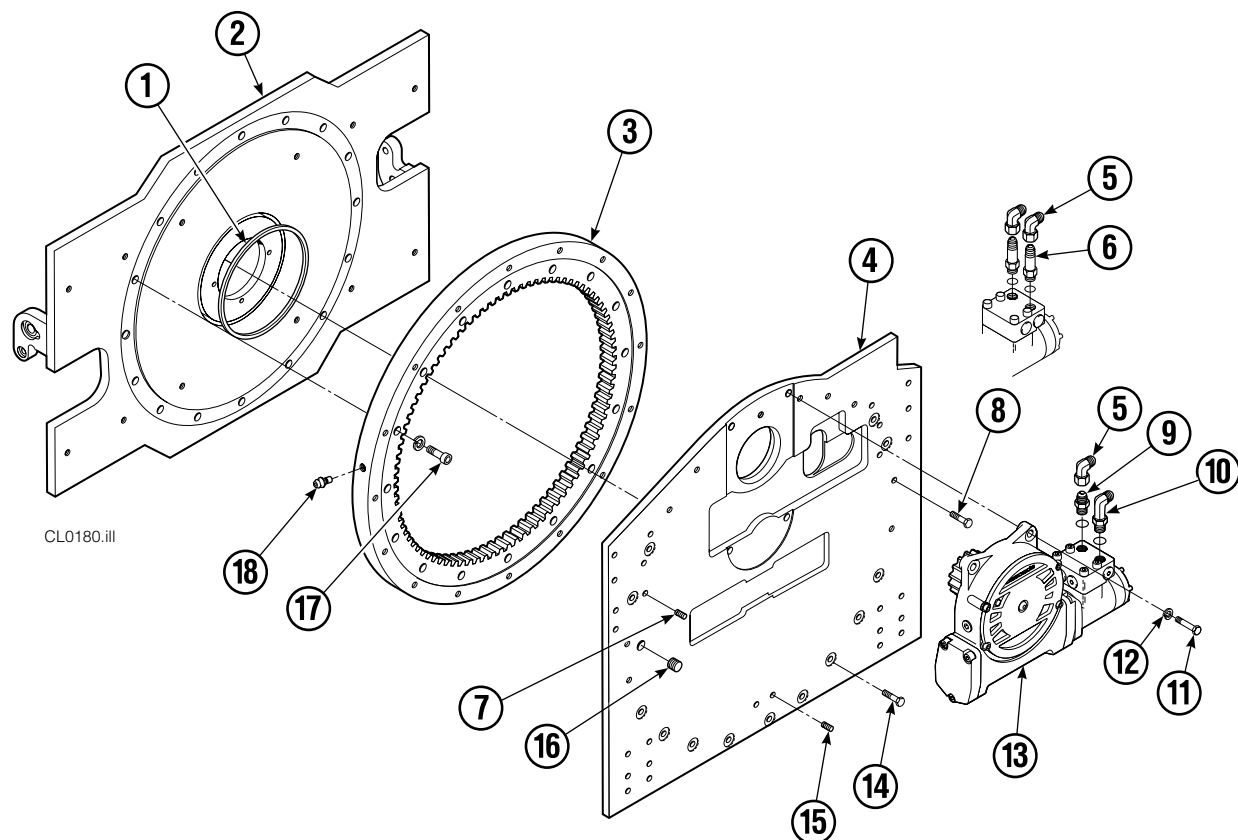


# Publications



PART NO.	DESCRIPTION
672362	Service Manual
672903	Operators Guide
672361	Installation Instructions
680664	Servicing Cascade Cylinders-VHS
679929	Tool Catalog
673964	Literature Index Order Form

# Rotator Group



CL0180.iii

70D			
REF	QTY	PART NO.	DESCRIPTION
		687253	Rotator Group
1	1	670931	Seal
2	1	687232	Faceplate
3	1	672830	Bearing Assembly
4	1	687234	Baseplate
5	1	605761	Fitting, 8-8 Class III only
5	2	605761	Fitting, 8-8 Class IV only
6	2	611295	Fitting, 8-8 Class IV only
7	6	631385	Plug
8	13	643539	Capscrew, 1/2 NC x 1.75 GR8
9	1	601377	Fitting, 8-8 Class III only
10	1	601250	Fitting, 8-8 Class III only
11	4	661742	Capscrew, 1/2 NC x 1.25 GR5
12	4	6290	Lockwasher, 1/2 in. ID
13	1	795492	Drive Group ▲
14	11	643538	Capscrew, 1/2 NC x 1.50 GR8
15	2	631427	Plug
16	1	6605	Plug
17	24	4506	Capscrew, 1/2 NC x 1.00
18	1	7401	Grease Fitting
		672482	Bearing Service Kit

▲ See Drive Group page for parts breakdown.

Reference: Common Parts Group 676878, SK-5373.

# Drive Group



REF	QTY	PART NO.	DESCRIPTION	REF	QTY	PART NO.	DESCRIPTION
		795492	Drive Group with 2.8 c.i. Motor	19	1	206392	Drive Motor – 2.8 c.i. ■
1	6	769570	Capscrew, M12 x 25	20	4	4468	Capscrew, 3/8 NC x .75 GR8
2	1	676855	Cover	21	1	670580	Bearing
3	●	674513	Shim – .005" (blue)	22	1	675609	Worm Gear
4	●	670574	Shim – .010" (brown)	23	1	670581	Bearing
5	●	671757	Shim – .015" (pink)	24	1	7214	Snap Ring
6	●	671758	Shim – .020" (yellow)	25	1	643423	O-Ring
7	2	670579	Bearing	26	1	775552	Cover
8	1	670582	Key	27	1	783609	Seal
9	1	670556	Pinion	28	1	783608	Capscrew, M10 x 16
10	1	775551	Housing	29	4	200882	Capscrew, M8 x 20
11	1	686465	Gasket	30	1	644010	Relief Fitting
12	1	675608	Worm	31	1	604510	Fitting, 6
13	1	775553	Adapter	32	1	656300	Gear Box Lube – 48 oz.
14	2	2705	O-Ring	33	1	668184	Sealant
15	1	670549	Check Valve ▲			670578	Shim Service Kit (items 3-6,25,33)
16	4	6444	Lockwasher			675637	Bearing Service Kit (items 21 & 33)
17	4	607059	Capscrew, 5/16 NC x 1.75 GR8			675638	Bearing Service Kit (items 3-7,25)
18	1	670575	Gasket			685227	Motor Kit-4.5 (items 4,14,18)

● Quantity as required.

■ See Drive Motor page for parts breakdown.

▲ See Check Valve page for parts breakdown.

## Drive Motor



REF	QTY	PART NO.	DESCRIPTION
		206392	Drive Motor
1	1	675478	Shaft
2	1	675477	Drive
3	1	675479	Spacer Plate
4	1	675480	■ Gerotor Set (101-1768-007)
4	1	685075	■ Gerotor Set (101-1768-009)
5	1	675482	End Cap
6	1	206405	● Service Kit
7	1	685089	■ Flange (101-1768-007)
7	1	685090	■ Flange (101-1768-009)

Cascade provides service replacement parts for the listed parts only. Due to cost, if others parts need replacement, the complete drive motor should be replaced.

■ See Nameplate under valve for correct part number of Gerotor Set and Flange.

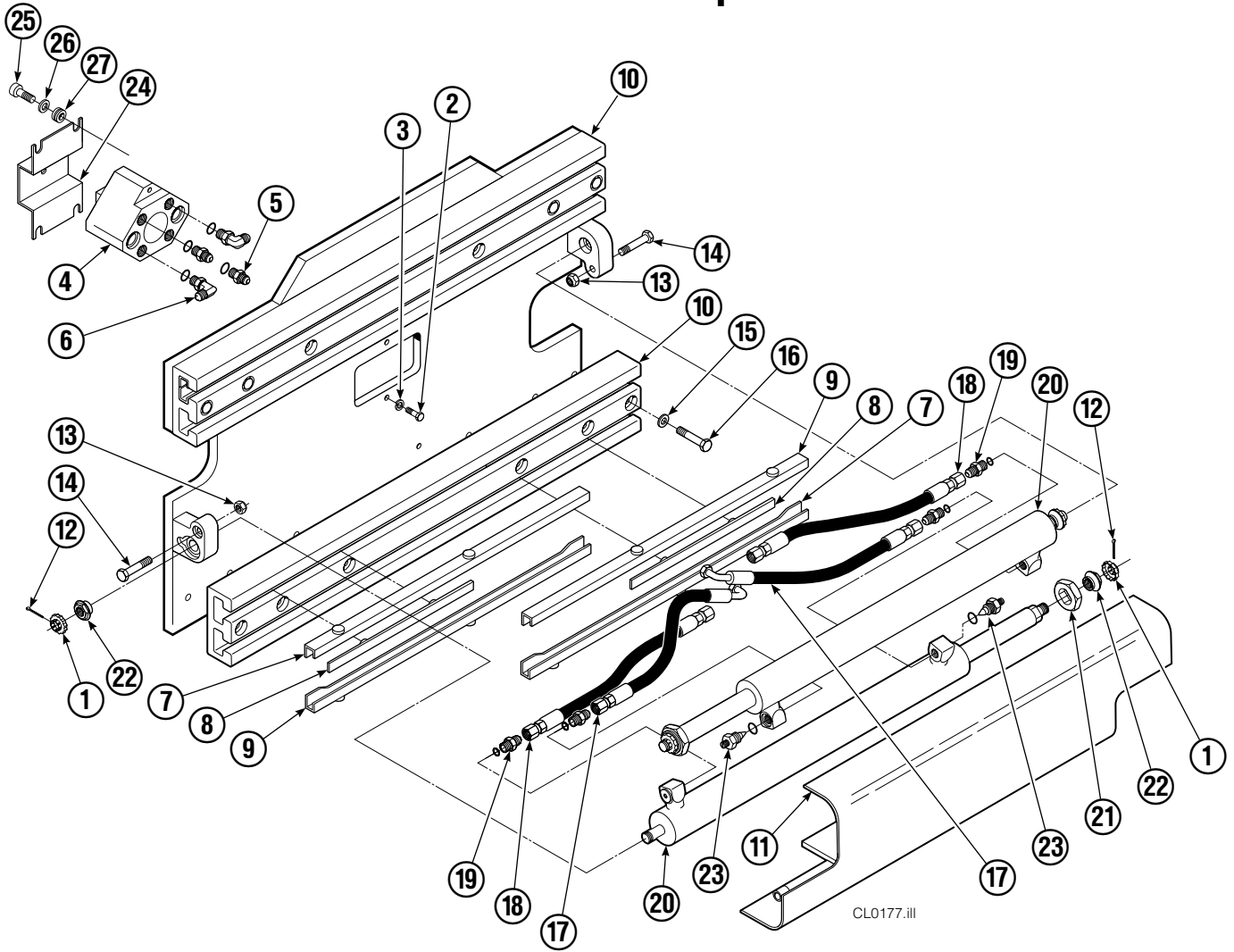
● Compatible with water glycol based hydraulic fluids.

## Check Valve



REF	QTY	PART NO.	DESCRIPTION
		670549	Check Valve Assembly
1	2	609453	Fitting, 10
2	2	670552	Spring
3	2	670551	Guide
4	2	7020	Ball
5	2	602580	Fitting, 8
6	2	673989	Spring
7	1	670550	Body
8	1	670553	Spool

# Frame Group



70D							
REF	QTY	PART NO.	DESCRIPTION	REF	QTY	PART NO.	DESCRIPTION
		687283	Frame Group	14	2	768560	Capscrew, M12 x 80
1	4	676110	Retainer	15	8	670692	Washer, 13/16 in. ID
2	2	765352	Capscrew, M8 x 30	16	8	676793	Capscrew
3	2	686119	Lockwasher, M8	17	2	678409	Hose
4	1	686420	Revolving Connection ■	18	2	676114	Hose
5	2	662187	Fitting, 8-6	19	4	601377	Fitting, 8-8
6	2	651303	Fitting, 8-6	20	2	676429	Cylinder ▲
7	4	676105	Bearing	21	2	676108	Washer
8	4	667663	Bearing	22	4	676109	Nut
9	4	676104	Bearing	23	2	667609	Restrictor Cartridge ●
10	2	676103	Frame	24	1	209067	End Block Bracket
11	1	676106	Bumper	25	3	665992	Shoulder Bolt
12	4	6513	Cotter Pin	26	3	209021	Washer, M10
13	2	773842	Nut, M12	27	3	208765	Grommet

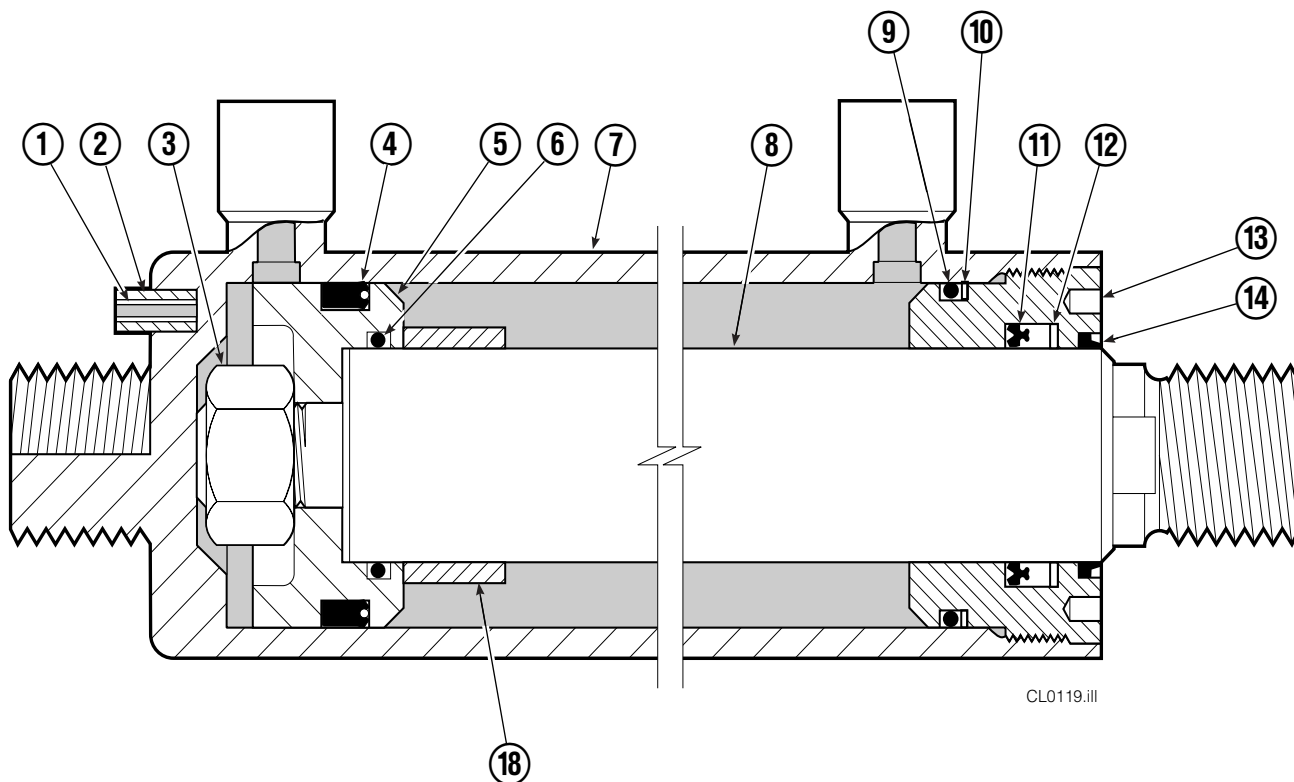
■ See Revolving Connection page for parts breakdown.

▲ See Cylinder page for parts breakdown.

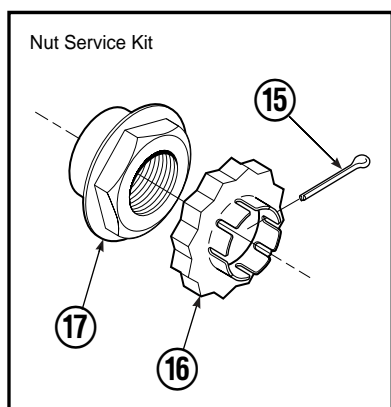
● See Restrictor Cartridge page for parts breakdown.

Reference: SK-5658.

# Cylinder



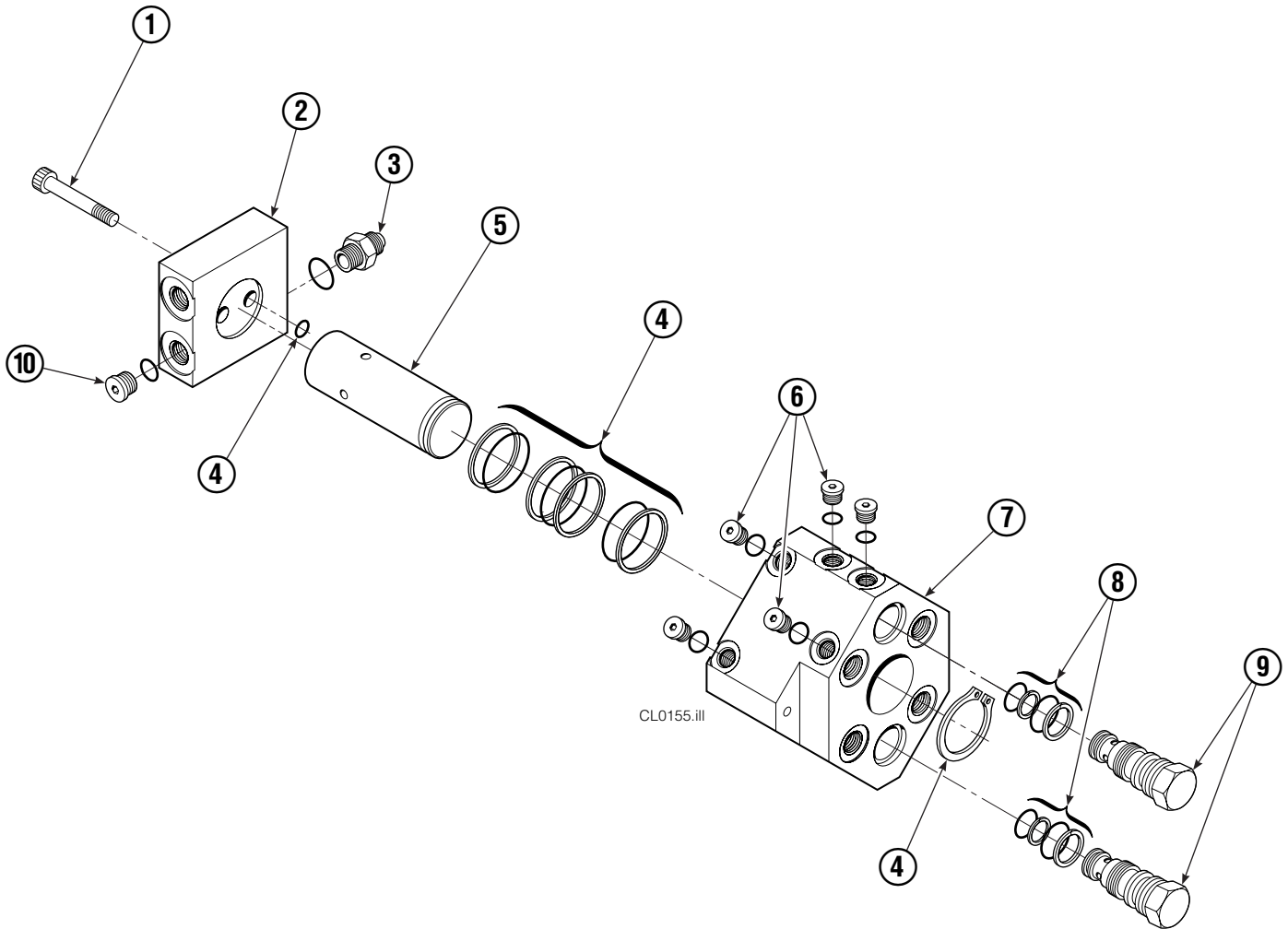
CL0119.ill



70D			
REF	QTY	PART NO.	DESCRIPTION
		676429	Cylinder Assembly
1	1	7882	Roll Pin
2	1	7964	Roll Pin
3	1	560997	Nut
4	1	557574	● Seal
5	1	558405	Piston
6	1	2787	● O-Ring
7	1	556463	Shell
8	1	556464	Rod
9	1	2795	● O-Ring
10	1	615138	● Back-Up Ring
11	1	553520	● Seal
12	1	636701	● Back-Up Ring
13	1	556563	Retainer
14	1	624572	● Wiper
15	1	6513	▲ Cotter Pin
16	1	676110	▲ Retainer
17	1	676109	▲ Nut
18	1	-	Spacer
		556486	Service Kit
		678036	Nut Service Kit ★

- Included in Service Kit 556486.
  - ▲ Included in Service Kit 678036.
  - ★ Not included in Cylinder Assembly.
- Reference: S-5259, S-5260.

# Revolving Connection



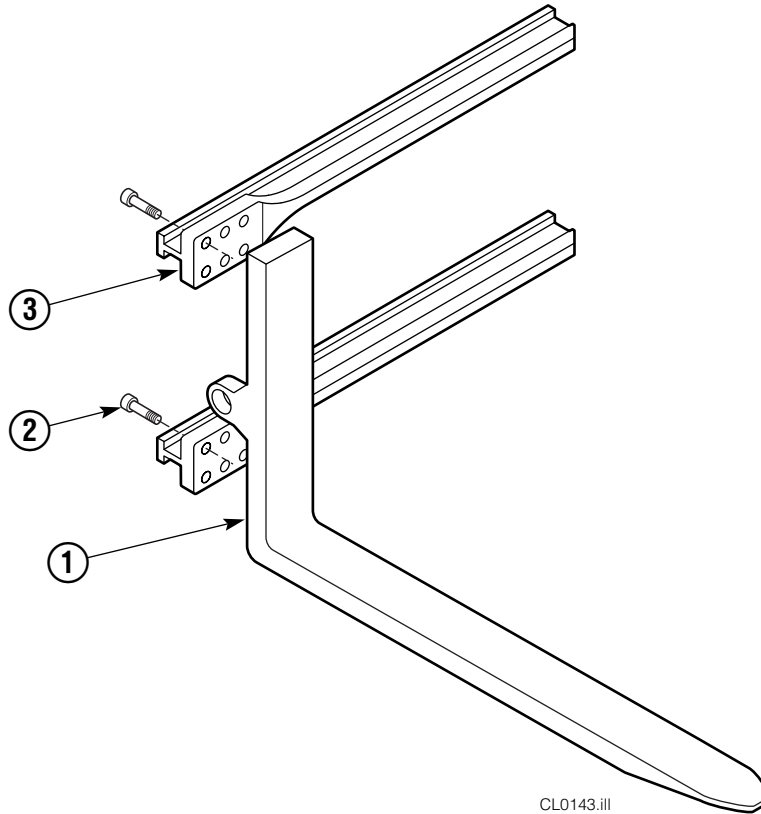
35D/50D			
REF	QTY	PART NO.	DESCRIPTION
		686420	Revolving Connection
1	2	768795	Capscrew, M8 x 1,25 x 30 x 8.8
2	1	686421	End Block
3	2	604511	Fitting, 6-6
4	1	687237	Service Kit
5	1	686422	Shaft
6	5	663694	Fitting, 3
7	1	686423	Body
8	2	667516	Check Valve Service Kit
9	2	678376	Check Valve
10	2	604510	Fitting, 6

# Restrictor Cartridge



REF	QTY	PART NO.	DESCRIPTION
		667609	Restrictor Cartridge
1	1	2701	O-Ring
2	1	667611	Plunger
3	1	2841	O-Ring
4	1	667610	Plug - Special
5	1	5716	Jam Nut

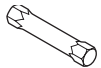
# Bolt-On Pallet Forks



CL0143.ill

## ARM CAPSCREW EXTENSION TOOL

Required for proper torquing of capscrews



70D

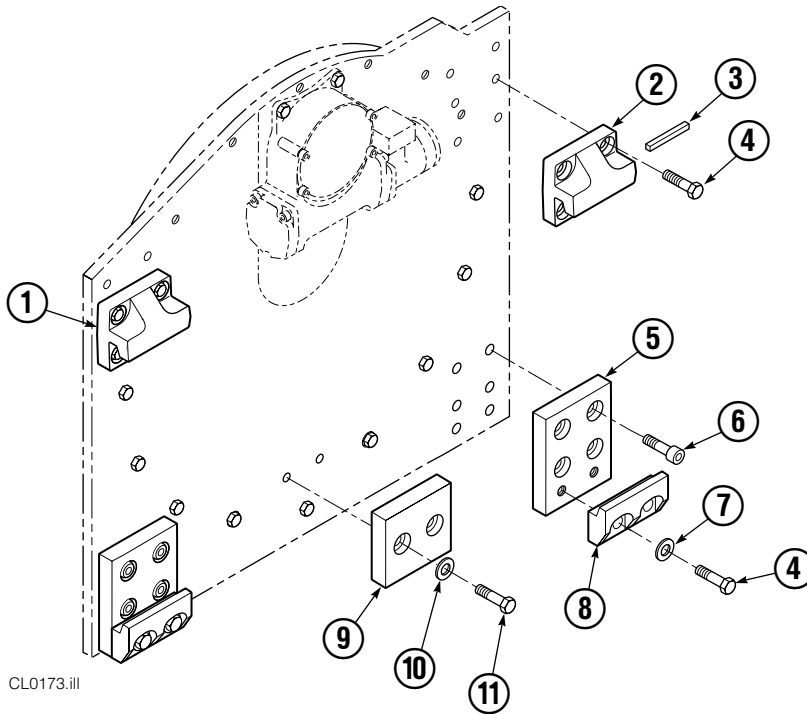
676218

## 70D

REF	QTY	PART NO.	DESCRIPTION
		676202	Fork Assembly ▲
1	1	676212	Fork - LH
2	1	676208	Fork - RH
3	24	676840	Capscrew, M24 x 65
4	4	676132	Arm Bar

▲ Includes items 1-3 only.

# Bolt-On Mounting Group



CL0173.III

Class III, 0°			
REF	QTY	PART NO.	DESCRIPTION
		676274	Mounting Group
1	1	670684	Upper Hook – LH
2	1	670685	Upper Hook – RH
3	1	670704	Stop Kit
4	12	667369	Capscrew, 5/8 NC x 1.25
5	2	670668	Spacer
6	8	622467	Capscrew, 5/8 NC x 1.25
7	4	667225	Washer
8	2	675969	Lower Hook
9	1	670687	Center Spacer
10	2	6372	Lockwasher, 1/2 in. ID
11	2	3655	Capscrew, 1/2 NC x 1.50

**Do you have questions you need answered right now?** Call your nearest Cascade Parts Department. Visit us online at [www.cascorp.com](http://www.cascorp.com)

**Cascade Corporation**  
2501 Sheridan Avenue  
Springfield, OH 45505  
Tel: 888-CASCADE (227-2233)  
FAX: 888-329-0234

**Cascade Canada Inc.**  
5570 Timberlea Blvd.  
Mississauga, Ontario  
Canada L4W-4M6  
Tel: 905-629-7777  
FAX: 905-629-7785

**Cascade GmbH**  
D-41199 Monchengladbach  
Klosterhofweg 52  
Germany  
Tel: 49-216-668230  
FAX: 49-216-6682323

**Cascade Finland**  
Albert Petreliuksenkatu 3  
01370 Vantaa  
Finland  
Tel: 358-9-836-1925  
FAX: 358-9-836-1935

**Cascade N.V.  
European Headquarters**  
P.O. Box 3009  
1300 El Almere  
Damsluisweg 56  
1332 ED Almere  
The Netherlands  
Tel: 31-36-5492911  
FAX: 31-36-5492964

**Cascade N.V.  
Benelux Sales and Service**  
P.O. Box 3009  
1300 El Almere  
Damsluisweg 56  
1332 ED Almere  
The Netherlands  
Tel: 31-36-5492950  
FAX: 31-36-5492974

**Cascade (UK) Ltd.**  
15, Orgreave Crescent  
Dore House Industrial Estate  
Handsworth  
Sheffield S13 9NQ  
England  
Tel: 742-697524  
FAX: 742-695121

**Cascade Scandinavia AB**  
Box 124  
Hammarvägen 10  
567 23 Vaggeryd  
Sweden  
Tel: 42-0-393-36950  
FAX: 46-0-393-36959

**Cascade Norway**  
Østerliveien 37A  
1153 Oslo  
Norway  
Tel: 47-22-743160  
FAX: 47-22-743157

**Cascade France S.A.R.L.**  
1D Rue De Charaintru  
BP 18, 91360 Epinay-Sur-Orge  
Morangis Cedex, France  
Tel: 33-1- 64547500  
FAX: 33-1-64547501

**Cascade Hispania S.A.**  
Carrer 5 Sector C  
Zona Franca Duanera  
Poligono de la Zon Franca  
08040 Barcelona, Spain  
Office No. 256  
Tel: 93-264-07-30  
FAX: 93-264-07-31

**Cascade Japan Ltd.**  
5-5-41,  
Torikai Kami  
Settsu, Osaka  
Japan, 566  
Tel: 81-726-53-3490  
FAX: 81-726-53-3497

**Cascade Korea**  
108B, Namdong Ind Complex  
658-3 Gojan-Dong  
Namdong-Gu  
Inchon, 405-310 Korea  
Tel: 82-32-821-2051  
FAX: 82-32-821-2055

**Cascade Australia**  
1445 Ipswich Road  
Rocklea, QLD 4106  
Australia  
Tel: 1-800227-223  
FAX: (07) 3373-7333

**Cascade New Zealand**  
15 Ra Ora Drive  
East Tamaki, Auckland  
New Zealand  
Tel: 9-273-9136  
FAX: 9-273-9137

**Cascade (Africa) Pty. Ltd.**  
P.O. Box 625, Isando 1600  
60A Steel Road  
Sparton, Kempton Park  
South Africa  
Tel: 27-11-975-9240  
FAX: 27-11-394-1147

**Cascade-Xiamen**  
No. 668 Yangguang Rd.  
Xinyang Industrial Zone  
Haicang, Xiamen City  
Fujian Province  
P.R. China 361026  
Tel: 86-592-651-2500  
FAX: 86-592-651-2571

**Cascade (Singapore)  
Trading Co.**  
Four Seasons Park  
Autumn Block - Apt. 1802  
12 Cuscaden Walk  
Singapore  
Tel: 65-834-1935  
FAX: 65-834-1936

