



Parts Manual

Model _____ Rotator _____

Serial Number _____ **55D-RRB-13BR0** _____

cascade[®]
corporation

For Technical Assistance call: 800-227-2233, Fax: 888-329-8207

To Order Parts call: 888-227-2233, Fax: 888-329-0234

OR

Write: Cascade Corporation, P.O. Box 20187, Portland, OR 97220

Internet: www.cascorp.com

Safety Decals



REF	QTY	PART NO.	DESCRIPTION
1	1	679150	No Step Decal

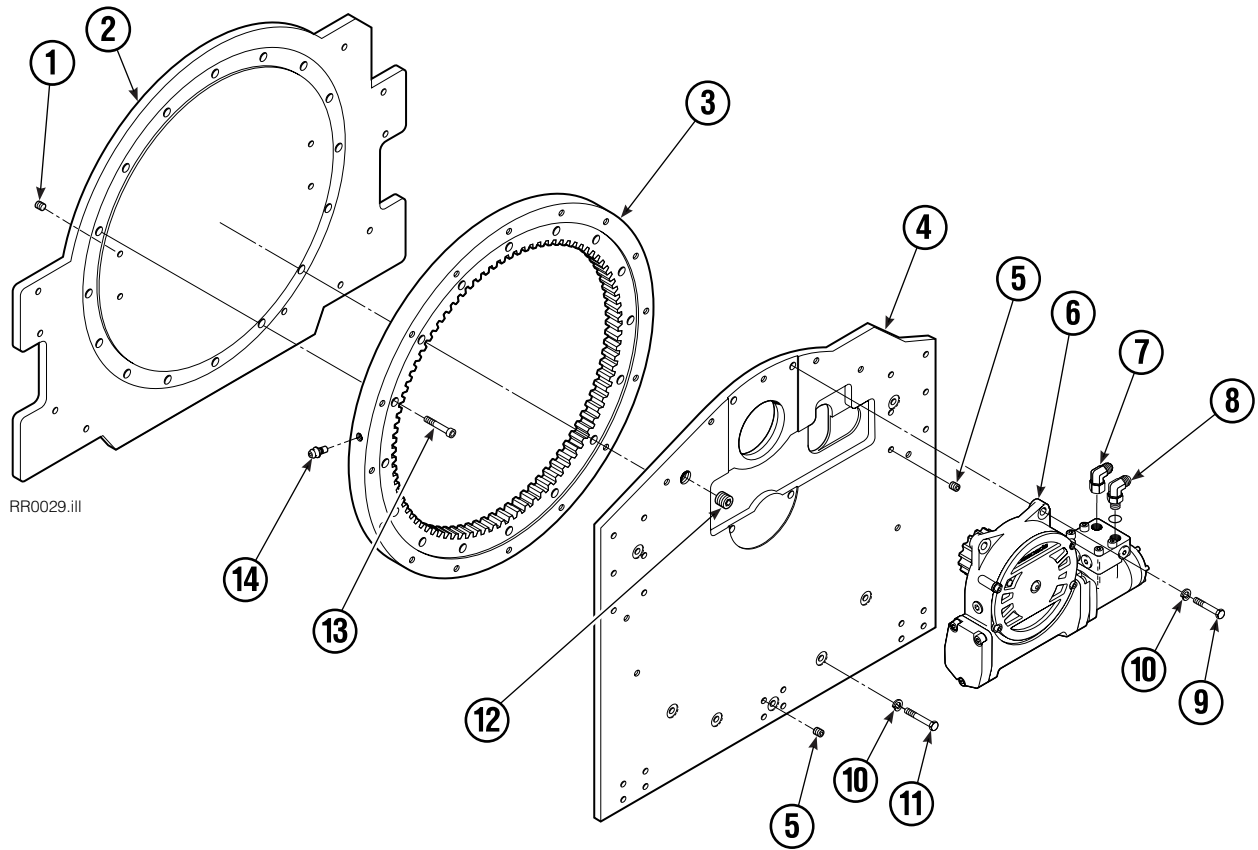
Publications



GA0006.eps

PART NO.	DESCRIPTION
672946	Service Manual
672714	Operators Guide
668987	Installation Instructions
679929	Tool Catalog
673964	Literature Index Order Form

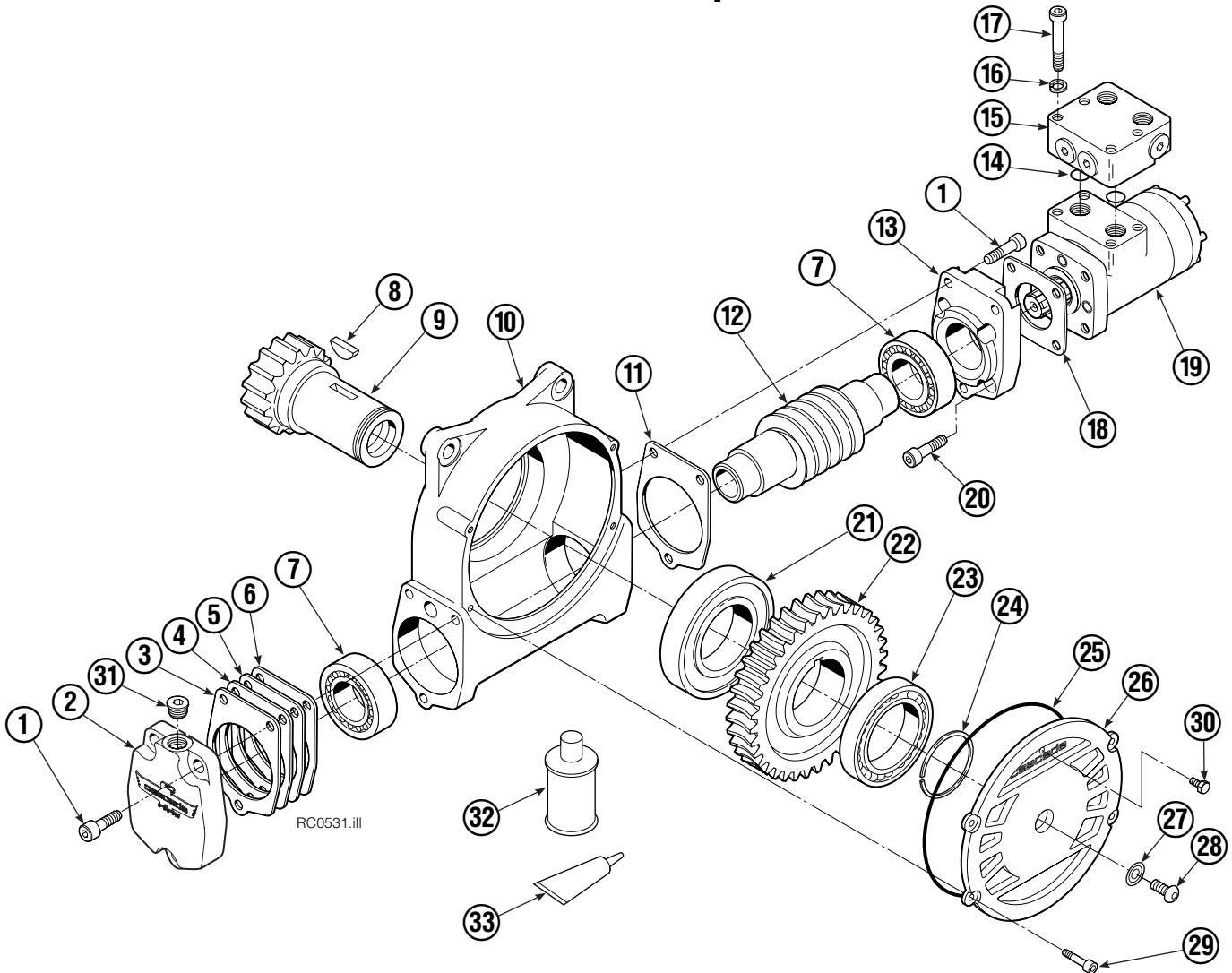
Base Unit Group



55D			
REF	QTY	PART NO	DESCRIPTION
		681821	Base Unit Group
1	4	631428	Plug
2	1	670496	Faceplate
3	1	672828	Bearing Assembly
4	1	670497	Baseplate
5	8	631385	Plug
6	1	670505	Drive Group ●
7	1	660385	Fitting, 8-8
8	1	601250	Fitting, 8-8
9	4	661742	Capscrew, 1/2 NC x 1.25 GR5
10	20	6290	Lockwasher
11	16	640013	Capscrew, 1/2 NC x 1.75 GR8
12	1	6605	Plug
13	16	669322	Capscrew, 1/2 NC x 1.50 GR8
14	1	7401	Grease Fitting
		672481	Bearing Service Kit

● See Drive Group page for parts breakdown.

Drive Group



REF	QTY	PART NO.	DESCRIPTION	REF	QTY	PART NO.	DESCRIPTION
		670505	Drive Group with Motor	19	1	206392	Drive Motor ▲
1	6	769570	Capscrew, M12 x 25	20	4	4468	Capscrew, 3/8 NC x .75 GR8
2	1	211774	Cover	21	1	670580	Bearing
3	●	674513	Shim – .005 in. (blue)	22	1	676448	Worm Gear
4	●	670574	Shim – .010 in. (brown)	23	1	670581	Bearing
5	●	671757	Shim – .015 in. (pink)	24	1	7214	Snap Ring
6	●	671758	Shim – .020 in. (yellow)	25	1	643423	Gasket
7	1	670579	Bearing	26	1	215126	Cover
8	1	670582	Key	27	1	603680	Seal
9	1	670506	Pinion	28	1	783608	Capscrew, M12 x 16
10	1	211773	Housing	29	4	200882	Capscrew, M8 x 20
11	1	686465	Gasket	30	1	644010	Relief Fitting
12	1	676447	Worm	31	1	211251	Cap
13	1	670570	Adapter	32	1	656300	Gear Box Lube – 48 oz.
14	2	2705	O-Ring	33	1	668184	Sealant
15	1	670549	Check Valve			670578	Shim Service Kit (items 3-6, 11, 33)
16	4	6444	Lockwasher, 5/16			675637	Shim Service Kit (items 21, 33)
17	4	607059	Capscrew, 5/16 NC			675638	Shim Service Kit (items 3-7)
18	1	670575	Gasket			206394	Motor Kit (items 11,14,18,19,20,33)

● Quantity as required.

▲ See Drive Motor page for parts breakdown.

Reference: Common Parts Group 670564, SK-4690.

Drive Motor



REF	QTY	PART NO.	DESCRIPTION
		206392	Drive Motor
1	1	675478	Shaft
2	1	675477	Drive
3	1	675479	Spacer Plate
4	1	675480	■ Gerotor Set (101-1768-007)
4	1	685075	■ Gerotor Set (101-1768-009)
5	1	675482	End Cap
6	1	206405	● Service Kit
7	1	685089	■ Flange (101-1768-007)
7	1	685090	■ Flange (101-1768-009)

Cascade provides service replacement parts for the listed parts only. Due to cost, if others parts need replacement, the complete drive motor should be replaced.

■ See Nameplate under valve for correct part number of Gerotor Set and Flange.

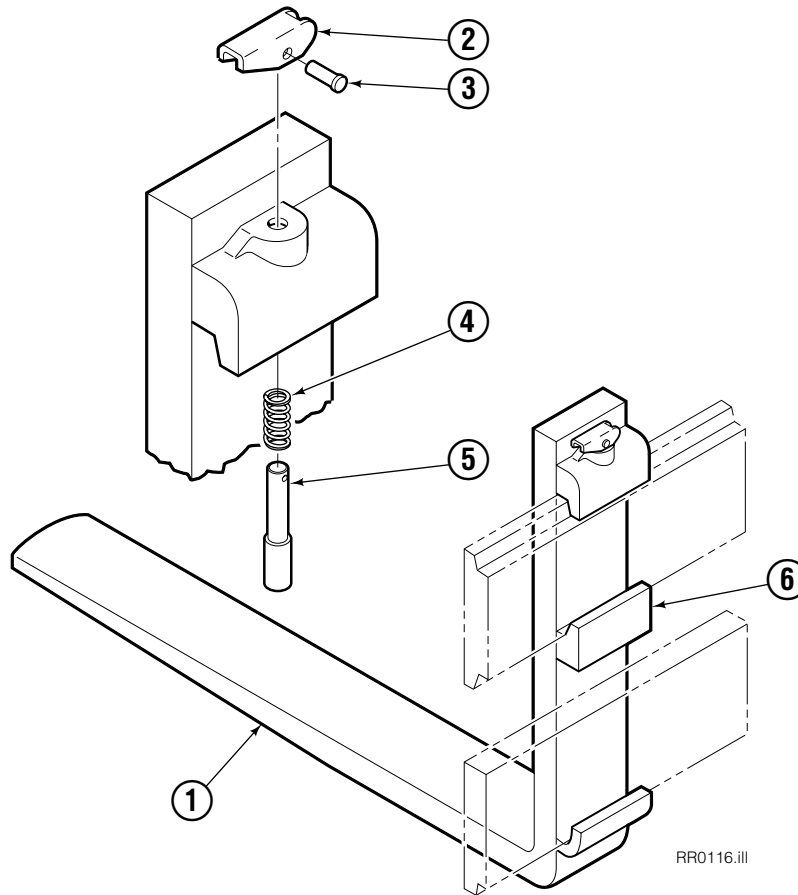
● Compatible with water glycol based hydraulic fluids.

Check Valve



REF	QTY	PART NO.	DESCRIPTION
		670549	Check Valve Assembly
1	2	609453	Fitting, 10
2	2	670552	Spring
3	2	670551	Guide
4	2	7020	Ball
5	2	602580	Fitting, 8
6	2	673989	Spring
7	1	670550	Body
8	1	670553	Spool

Adjustable Forks

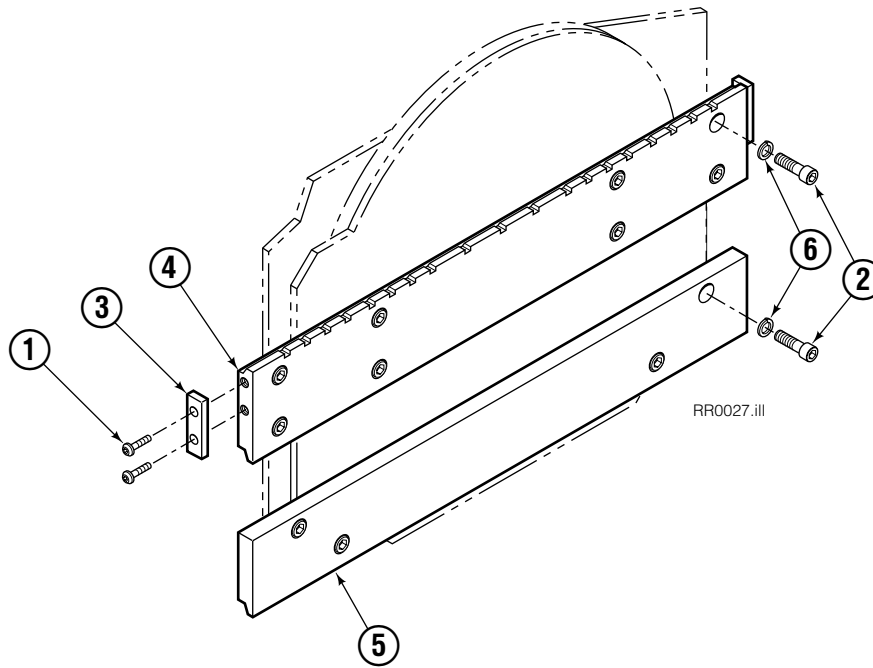


55D						
REF	QTY	36" PART NO.	42" PART NO.	48" PART NO.	54" PART NO.	DESCRIPTION
		615329	615330	615331	615332	Fork Assembly
1	1	645606	645607	645608	645609	● Fork
2	1	622897	622897	622897	622897	Handle
3	1	8007	8007	8007	8007	Rivet
4	1	622908	622908	622908	622908	Spring
5	1	622907	622907	622907	622907	Pin
6	1	689279	689279	689279	689279	■ Middle Hook

● Includes item 6 welded in place.

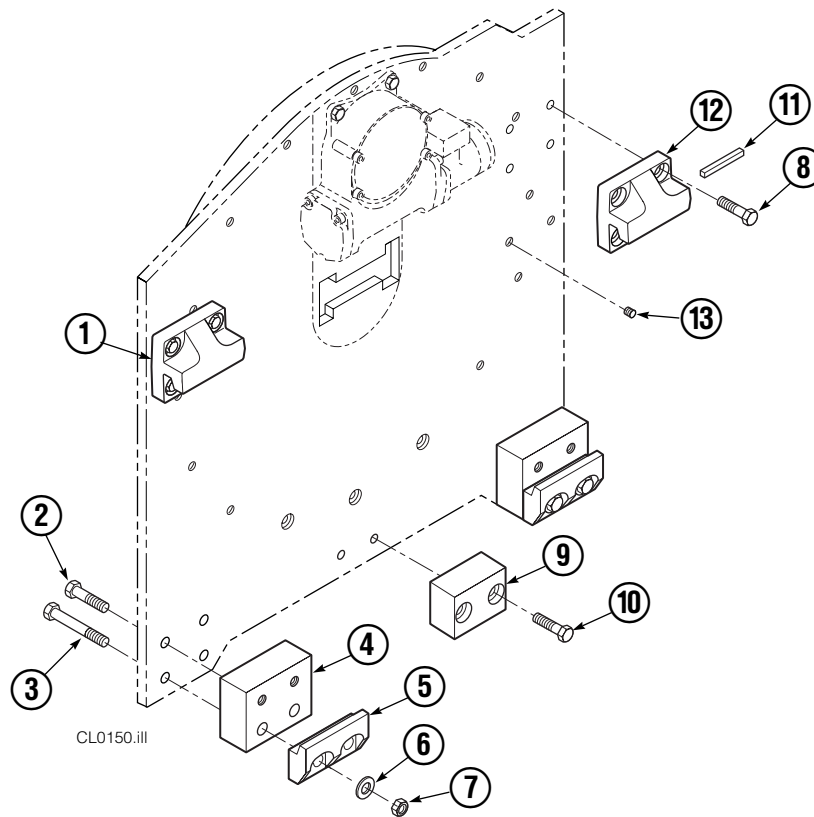
■ Required when using customer supplied forks.

Fork Bar Group



55D			
REF	QTY	PART NO.	DESCRIPTION
		206774	Fork Bar Group
1	4	4880	Capscrew, 1/2 NC x 1.0 GR8
2	12	607102	Capscrew, 3/4 NC x 1.25 GR8
3	2	624394	Keeper
4	1	625495	Upper Bar
5	1	625496	Lower Bar
6	12	6448	Lockwasher, 3/4 ID

Bolt-On Mounting Group



Class III, 0°			
REF	QTY	PART NO.	DESCRIPTION
		680632	Mounting Group
1	1	670527	Upper Hook – LH
2	4	641284	Capscrew, 5/8 NC x 2.25
3	4	669305	Capscrew, 5/8 NC x 5.00
4	2	682068	Spacer
5	2	675969	Lower Hook
6	4	667225	Washer
7	4	676281	Nut, 5/8
8	8	667369	Capscrew, 5/8 NC x 1.25
9	1	682067	Center Spacer
10	2	677828	Capscrew, 1/2 NC x 1.00
11	1	669344	Stop Kit
12	1	670528	Upper Hook – RH
13	2	631385	Plug, 5/8

Do you have questions you need answered right now? Call your nearest Cascade Parts Department. Visit us online at www.cascorp.com

Cascade Corporation
2501 Sheridan Avenue
Springfield, OH 45505
Tel: 888-CASCADE (227-2233)
FAX: 888-329-0234

Cascade Canada Inc.
5570 Timberlea Blvd.
Mississauga, Ontario
Canada L4W-4M6
Tel: 905-629-7777
FAX: 905-629-7785

Cascade GmbH
D-41199 Monchengladbach
Klosterhofweg 52
Germany
Tel: 49-216-668230
FAX: 49-216-6682323

Cascade Finland
Albert Petreliuksenkatu 3
01370 Vantaa
Finland
Tel: 358-9-836-1925
FAX: 358-9-836-1935

**Cascade N.V.
European Headquarters**
P.O. Box 3009
1300 El Almere
Damluisweg 56
1332 ED Almere
The Netherlands
Tel: 31-36-5492911
FAX: 31-36-5492964

**Cascade N.V.
Benelux Sales and Service**
P.O. Box 3009
1300 El Almere
Damluisweg 56
1332 ED Almere
The Netherlands
Tel: 31-36-5492950
FAX: 31-36-5492974

Cascade (UK) Ltd.
15, Orgreave Crescent
Dore House Industrial Estate
Handsworth
Sheffield S13 9NQ
England
Tel: 742-697524
FAX: 742-695121

Cascade Scandinavia AB
Box 124
Hammarvägen 10
567 23 Vaggeryd
Sweden
Tel: 42-0-393-36950
FAX: 46-0-393-36959

Cascade Norway
Østerliveien 37A
1153 Oslo
Norway
Tel: 47-22-743160
FAX: 47-22-743157

Cascade France S.A.R.L.
1D Rue De Charaintru
BP 18, 91360 Epinay-Sur-Orge
Morangis Cedex, France
Tel: 33-1- 64547500
FAX: 33-1-64547501

Cascade Hispania S.A.
Carrer 5 Sector C
Zona Franca Duanera
Poligono de la Zon Franca
08040 Barcelona, Spain
Office No. 256
Tel: 93-264-07-30
FAX: 93-264-07-31

Cascade Japan Ltd.
5-5-41,
Torikai Kami
Settsu, Osaka
Japan, 566
Tel: 81-726-53-3490
FAX: 81-726-53-3497

Cascade Korea
108B, Namdong Ind Complex
658-3 Gojan-Dong
Namdong-Gu
Inchon, 405-310 Korea
Tel: 82-32-821-2051
FAX: 82-32-821-2055

Cascade Australia
1445 Ipswich Road
Rocklea, QLD 4106
Australia
Tel: 1-800227-223
FAX: (07) 3373-7333

Cascade New Zealand
15 Ra Ora Drive
East Tamaki, Auckland
New Zealand
Tel: 9-273-9136
FAX: 9-273-9137

Cascade (Africa) Pty. Ltd.
P.O. Box 625, Isando 1600
60A Steel Road
Sparton, Kempton Park
South Africa
Tel: 27-11-975-9240
FAX: 27-11-394-1147

Cascade-Xiamen
No. 668 Yangguang Rd.
Xinyang Industrial Zone
Haicang, Xiamen City
Fujian Province
P.R. China 361026
Tel: 86-592-651-2500
FAX: 86-592-651-2571

**Cascade (Singapore)
Trading Co.**
Four Seasons Park
Autumn Block - Apt. 1802
12 Cuscaden Walk
Singapore
Tel: 65-834-1935
FAX: 65-834-1936

