



Parts Manual

Model Paper Roll Clamp

Serial Number 60G-RCF-131

cascade[®]

For Technical Assistance call: 800-227-2233, Fax: 888-329-8207

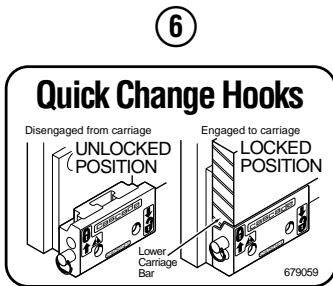
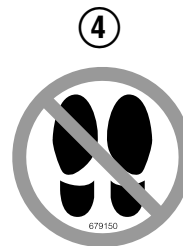
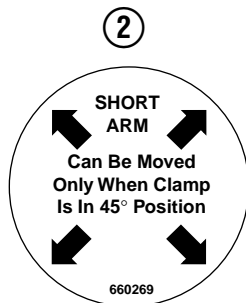
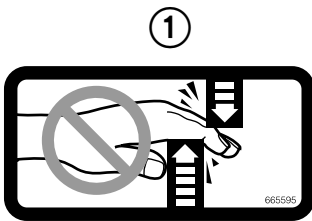
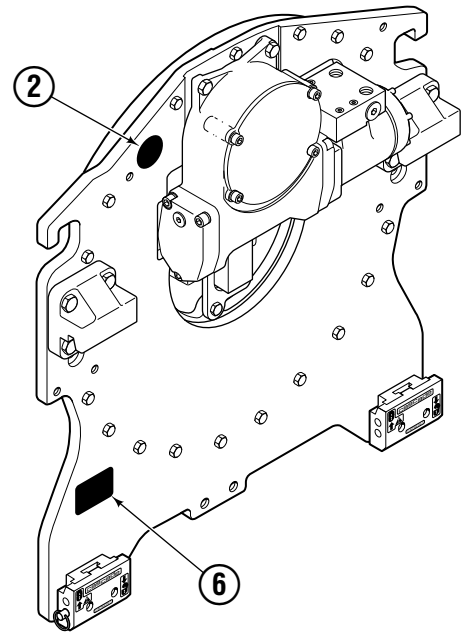
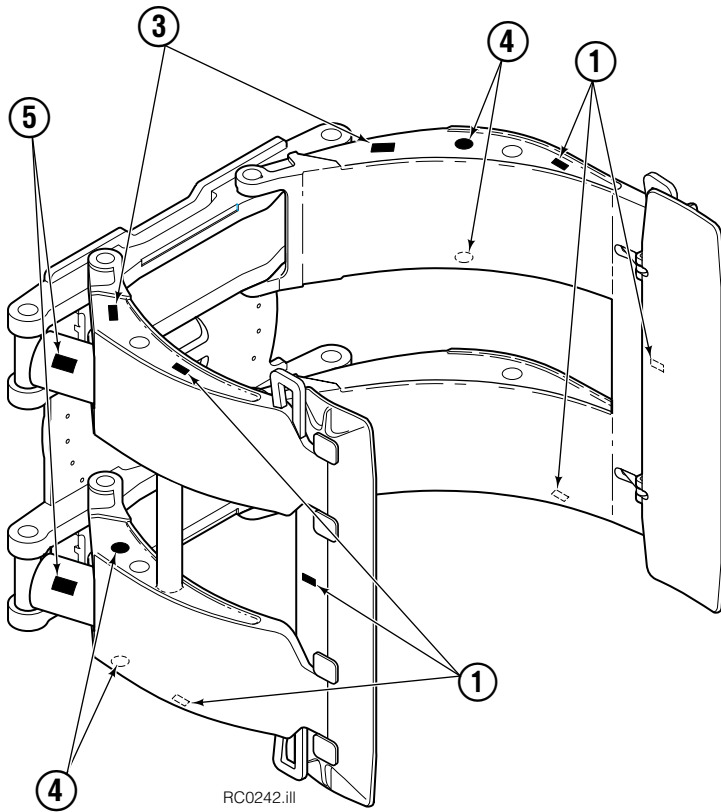
To Order Parts call: 888-227-2233, Fax: 888-329-0234

OR

Write: Cascade Corporation, P.O. Box 20187, Portland, OR 97220

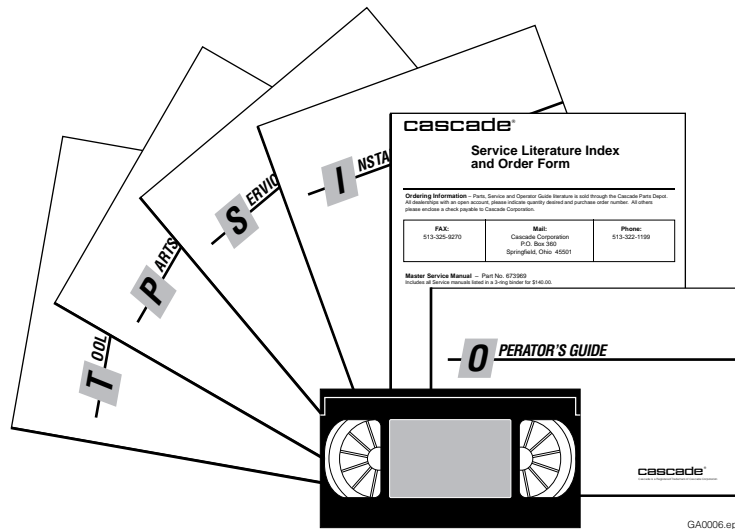
Internet: www.cascorp.com

Decals



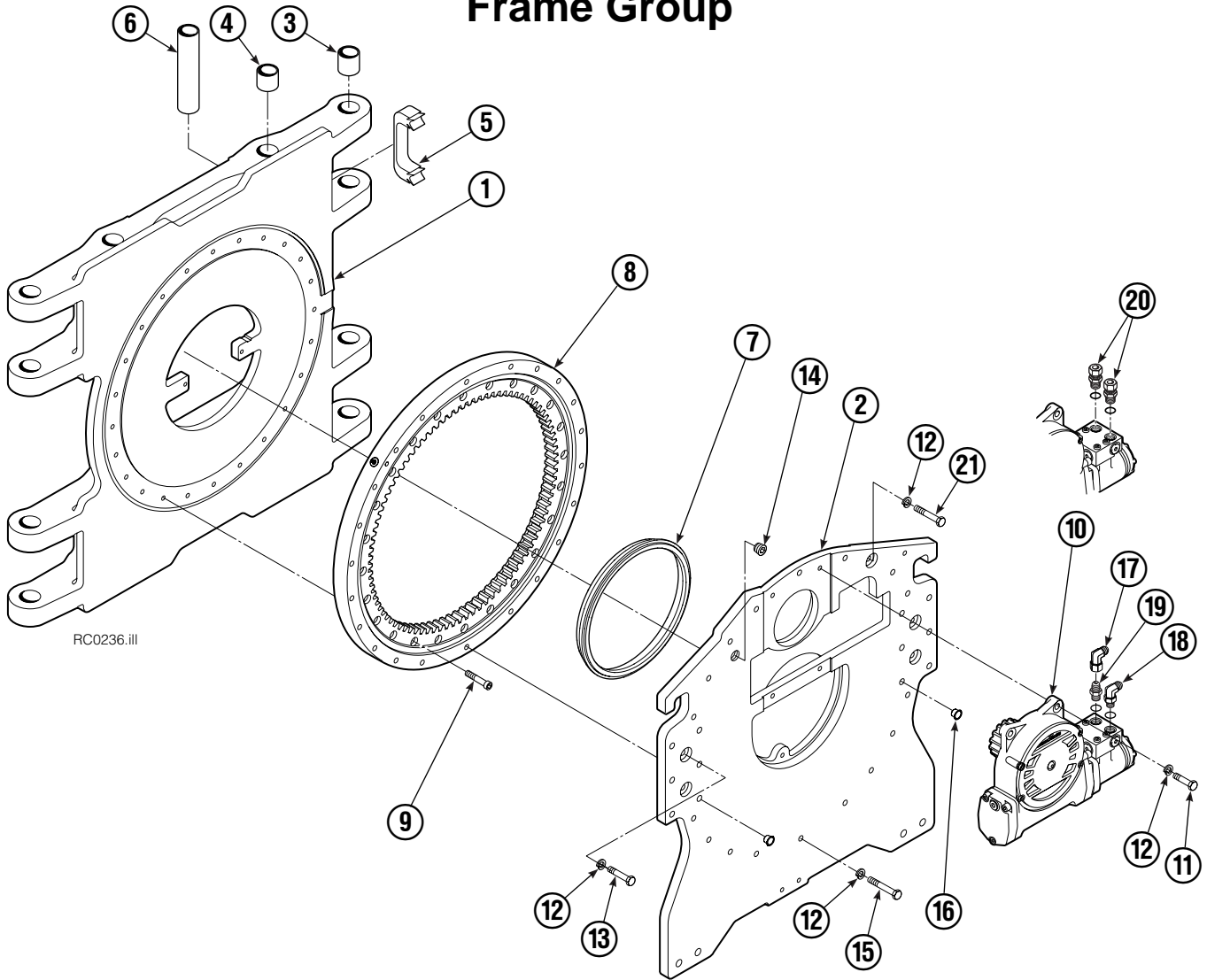
| 60G | | | |
|-----|-----|----------|-----------------------------------|
| REF | QTY | PART NO. | DESCRIPTION |
| 1 | 6 | 665595 | No Hand Hold Decal |
| 2 | 1 | 660269 | Short Arm Rotation Position Decal |
| 3 | 4 | 656038 | Caution Decal |
| 4 | 4 | 679150 | No Step Decal |
| 5 | 4 | 665677 | Trapped Pressure Decal |
| 6 | 1 | 679059 | Quick-Change Hook Decal |

Publications



| 60G | |
|----------|---|
| PART NO. | DESCRIPTION |
| | Parts Manual |
| 213744 | Service Manual |
| 210135 | Operator's Guide |
| 212420 | Installation Instructions - Fixed Frame |
| 677555 | Driver Training Video - VHS |
| 678363 | Troubleshooting Video - VHS |
| 680664 | Servicing Cascade Cylinders - VHS |
| 679929 | Tool Catalog |
| 673964 | Literature Index Order Form |

Frame Group



RC0236.ill

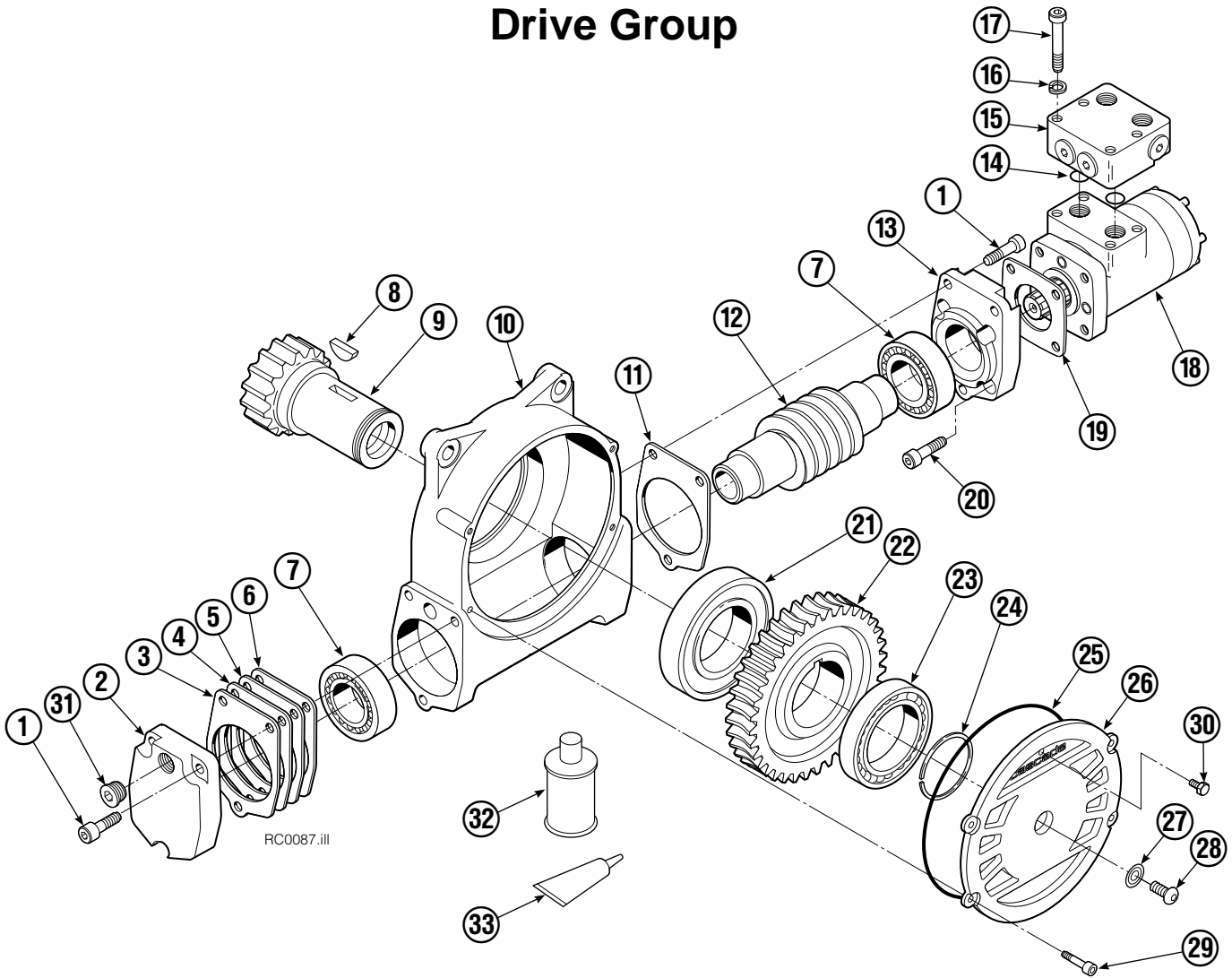
60G

| REF | QTY | PART NO. | DESCRIPTION | REF | QTY | PART NO. | DESCRIPTION |
|-----|-----|----------|---------------------------------|-----|-----|----------|---|
| | | 213801 | Frame Group w/o Stop – 51 in. ▲ | 13 | 4 | 206174 | Capscrew, M12 x 45 |
| | | 213805 | Frame Group w/o Stop – 60 in. ▲ | 14 | 1 | 6605 | Fitting, 3/4 in. |
| | | 213807 | Frame Group w/o Stop – 72 in. ▲ | 15 | 18 | 213633 | Capscrew, M12 x 55 |
| 1 | 1 | 213802 | Frame w/o Stop – 51 in. | 16 | 2 | 631428 | Plug |
| | 1 | 213806 | Frame w/o Stop – 60 in. | 17 | 1 | 605761 | Fitting, 8-8 SAE |
| | 1 | 213808 | Frame w/o Stop – 72 in. | 18 | 1 | 601250 | Fitting, 8-8 SAE |
| 2 | 1 | 209940 | Baseplate w/o Stop | 19 | 1 | 601377 | Fitting, 8-8 SAE |
| 3 | 8 | 211718 | Bearing | | 2 | 765492 | Fitting, 8 SAE – M10 L-Series |
| 4 | 8 | 211717 | Bearing | 20 | 2 | 765493 | Fitting, 8 SAE – M12 L-Series |
| 5 | 4 | 211712 | Hose Guard | | 2 | 756920 | Fitting, 8 SAE – M12 S-Series |
| 6 | 4 | 209987 | Spacer | 21 | 1 | 209684 | Capscrew, M12 x 50 |
| 7 | 1 | 209944 | Seal | | | 212905 | Bearing Service Kit (items 3, 4, 6) |
| 8 | 1 | 213761 | Bearing Assembly | | | 212907 | Pin Service Kit (items 4, 6) |
| 9 | 24 | 767596 | Capscrew, M12 x 40 | | | 212908 | Pin Service Kit (items 3) |
| 10 | 1 | 212308 | Drive Group – 2.2 c.i. Motor ● | | | 212914 | Bearing Service Kit (items 8,9,12,13,15,21) |
| | 1 | 795491 | Drive Group – 2.8 c.i. Motor ● | | | 212917 | Drive Group Kit – 2.2 (items 10,11,12) |
| 11 | 4 | 211689 | Capscrew, M12 x 30 | | | 212918 | Drive Group Kit – 2.8 (items 10,11,12) |
| 12 | 26 | 683822 | Lockwasher, M12 | | | | |

- ▲ Maximum roll handling capacity.
- See Drive Group page for parts breakdown.

Reference: Common Parts Group 211975, 213762 & 215015.
 Baseplate Group 213763 & 213765.
 Fitting Group 212367.
 S-4506, S-4165, S-4188, S-4189.

Drive Group

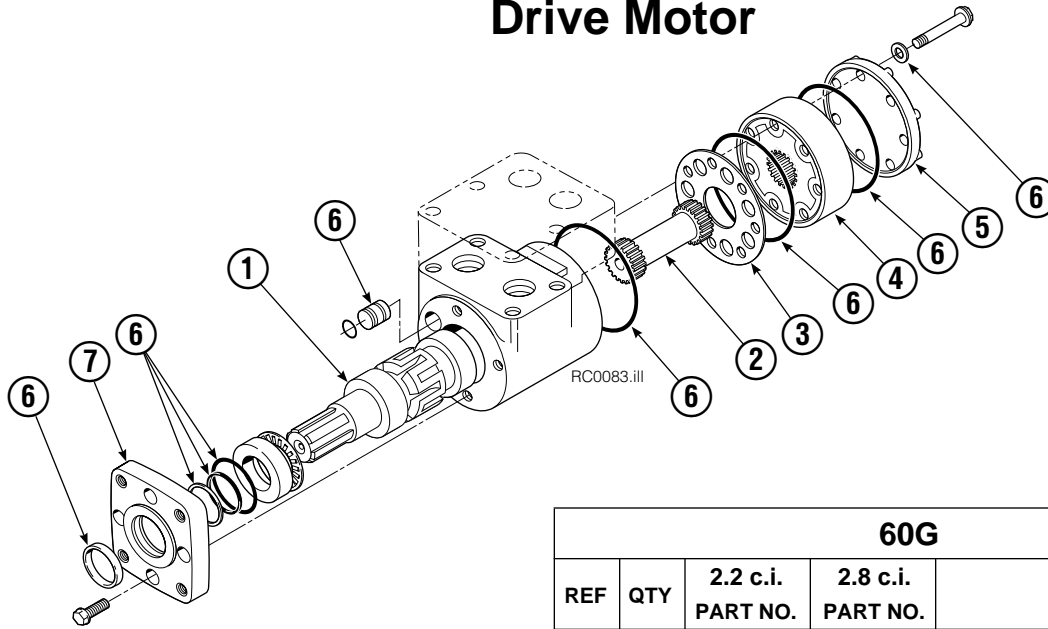


| 60G | | | | | | | |
|-----|-----|----------|---------------------------------|-----|-----|----------|---|
| REF | QTY | PART NO. | DESCRIPTION | REF | QTY | PART NO. | DESCRIPTION |
| | | 212308 | Drive Group with 2.2 c.i. Motor | 19 | 1 | 670575 | Gasket |
| | | 795491 | Drive Group with 2.8 c.i. Motor | 20 | 4 | 4468 | Capscrew, 3/8 NC x .75 GR8 |
| 1 | 6 | 768826 | Capscrew, M12 x 25 | 21 | 1 | 670580 | Bearing |
| 2 | 1 | 795258 | Cover | 22 | 1 | 675609 | Worm Gear |
| 3 | ● | 674513 | Shim - .005" (blue) | 23 | 1 | 670581 | Bearing |
| 4 | ● | 670574 | Shim - .010" (brown) | 24 | 1 | 7214 | Snap Ring |
| 5 | ● | 671757 | Shim - .015" (pink) | 25 | 1 | 204970 | Gasket |
| 6 | ● | 671758 | Shim - .020" (yellow) | 26 | 1 | 775552 | Cover |
| 7 | 2 | 670579 | Bearing | 27 | 1 | 783609 | Seal |
| 8 | 1 | 670582 | Key | 28 | 1 | 783608 | Capscrew, M12 x 16 |
| 9 | 1 | 670506 | Pinion | 29 | 4 | 775639 | Capscrew, M8 x 20 |
| 10 | 1 | 775551 | Housing | 30 | 1 | 644010 | Relief Fitting |
| 11 | 1 | 686465 | Gasket | 31 | 1 | 602580 | Fitting, 8 |
| 12 | 1 | 675608 | Worm | 32 | 1 | 656300 | Gear Box Lube - 48 oz. |
| 13 | 1 | 775553 | Adapter | 33 | 1 | 668184 | Sealant |
| 14 | 2 | 2705 | O-Ring | | | 670578 | Shim Service Kit (items 3-6,11,25,33) |
| 15 | 1 | 670549 | Check Valve | | | 675637 | Bearing Service Kit (items 21 & 33) |
| 16 | 4 | 6444 | Lockwasher | | | 675638 | Bearing Service Kit (items 3-7,11,25) |
| 17 | 4 | 607059 | Capscrew, 5/16 NC x 1.75 GR8 | | | 212919 | Motor Kit-2.2 (items 11,14,18,19,20,33) |
| 18 | 1 | 210139 | Drive Motor - 2.2 c.i. ▲ | | | 206394 | Motor Kit-2.8 (items 11,14,18,19,20,33) |
| 18 | 1 | 206392 | Drive Motor - 2.8 c.i. ▲ | | | | |

● Quantity as required.

▲ See Drive Motor page for parts breakdown.

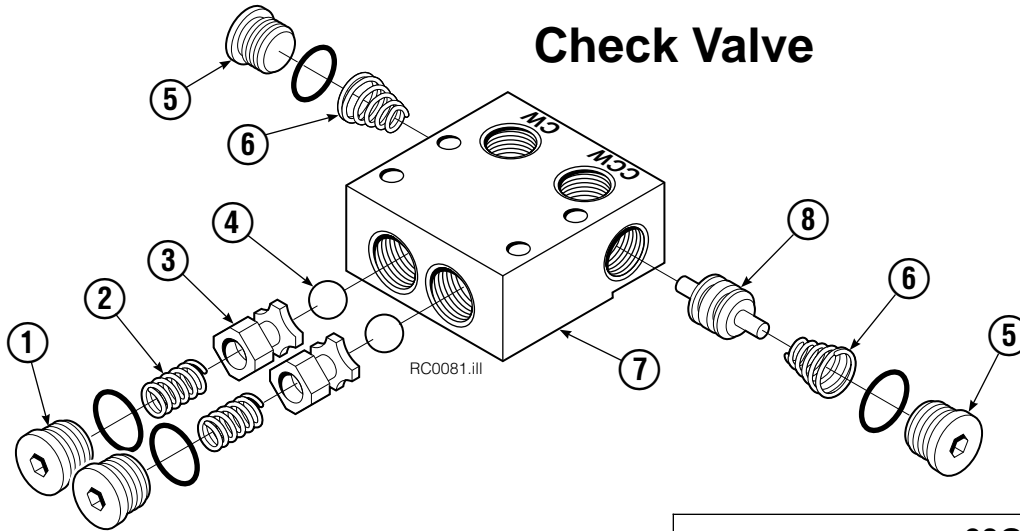
Drive Motor



| 60G | | | | |
|-----|-----|----------------------|----------------------|---------------------|
| REF | QTY | 2.2 c.i. PART NO. | 2.8 c.i. PART NO. | DESCRIPTION |
| | | 210139 | 206392 | Drive Motor |
| 1 | 1 | 675478 | 675478 | Shaft |
| 2 | 1 | 675477 | 675477 | Drive Link |
| 3 | 1 | 211528 | 675479 | Spacer Plate |
| 4 | 1 | 210137 | 675480 | Geroler/Gerotor Set |
| 5 | 1 | 211527 | 675482 | End Cap |
| 6 | 1 | 206405 | 206405 | Service Kit ● |
| 7 | 1 | 685090 | 685090 | Flange |

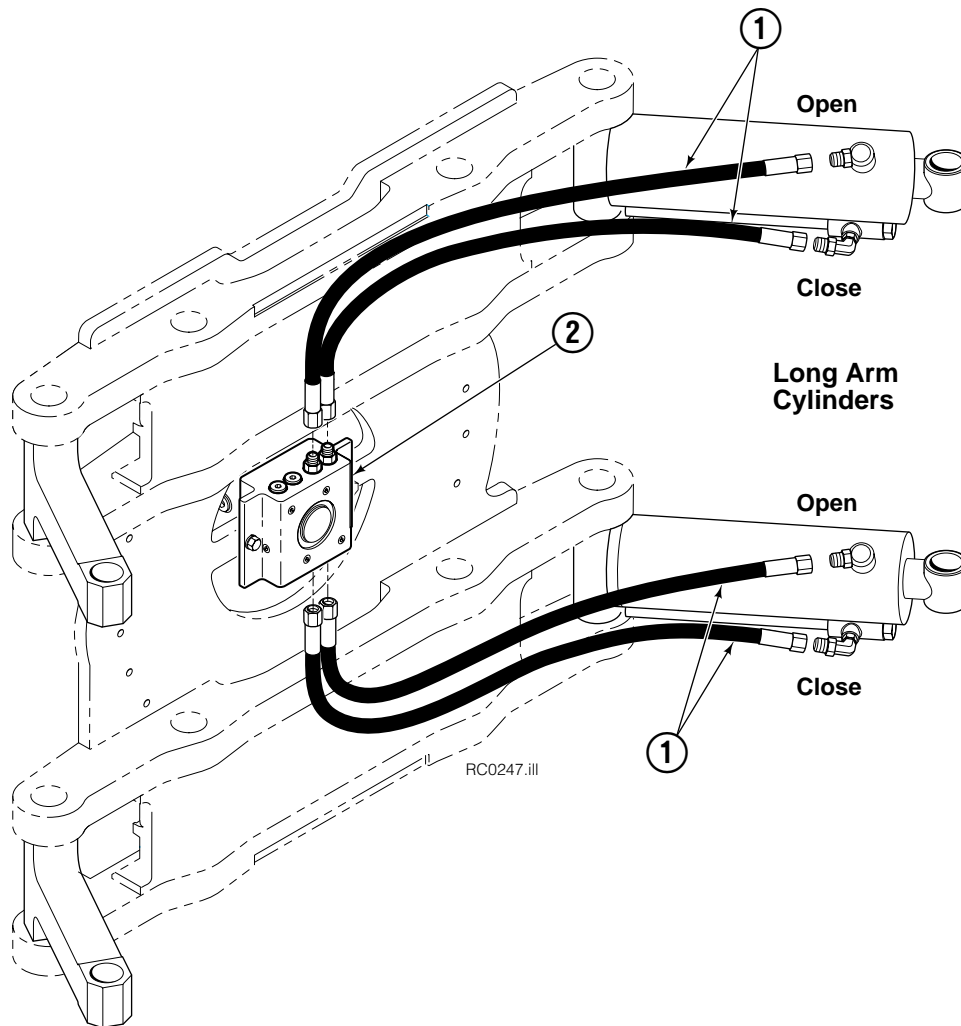
Cascade provides service replacement parts for the listed parts only. Due to cost, if others parts need replacement, the complete Drive Motor should be replaced.

Check Valve



| 60G | | | |
|-----|-----|----------|----------------------|
| REF | QTY | PART NO. | DESCRIPTION |
| | | 670549 | Check Valve Assembly |
| 1 | 2 | 609453 | Fitting, 10 |
| 2 | 2 | 670552 | Spring |
| 3 | 2 | 670551 | Guide |
| 4 | 2 | 7020 | Ball |
| 5 | 2 | 602580 | Fitting, 8 |
| 6 | 2 | 673989 | Spring |
| 7 | 1 | 670550 | Body |
| 8 | 1 | 670553 | Spool |

Hosing Group Fixed Short Arm



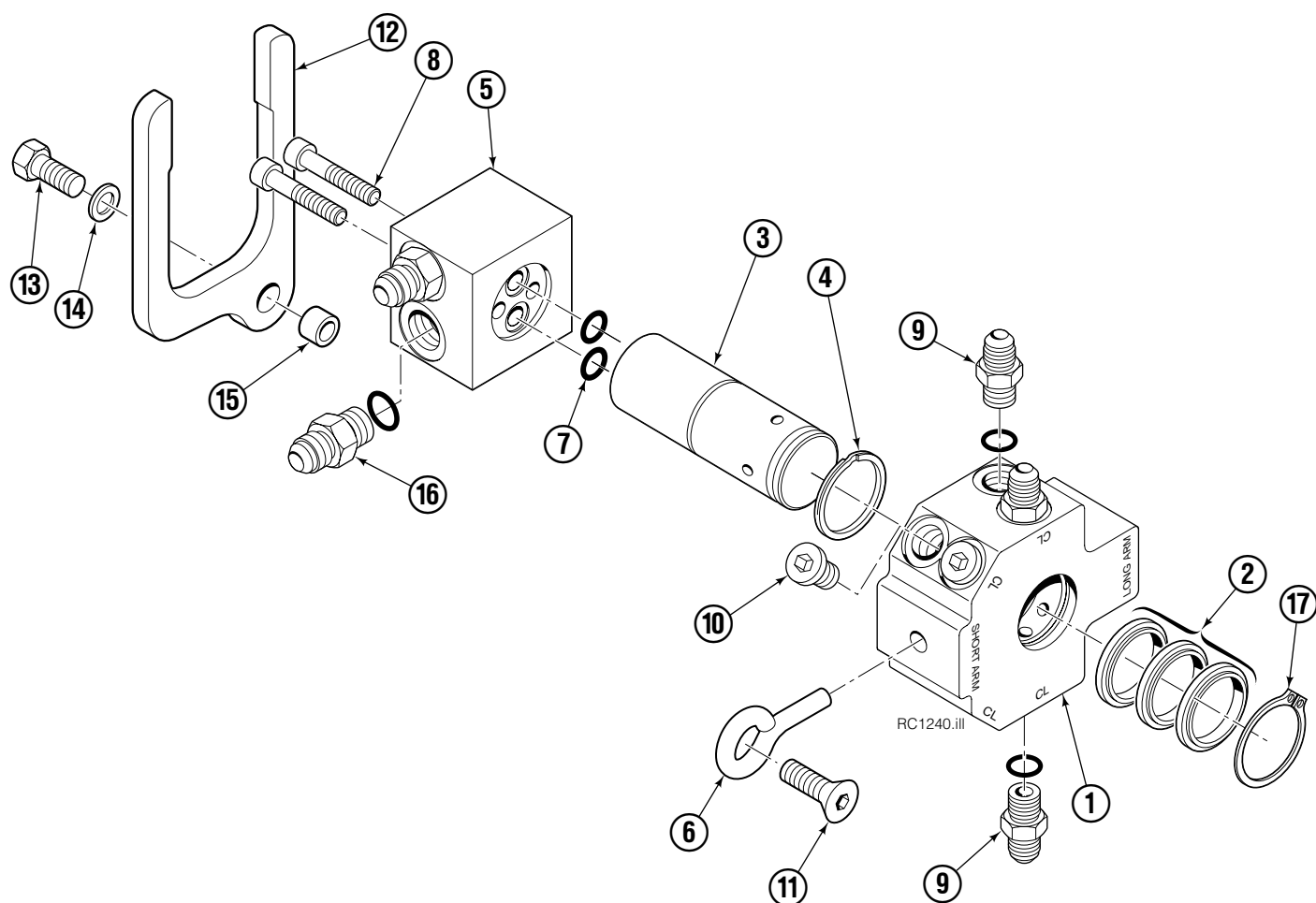
| 60G | | | |
|-----|-----|----------------------|----------------------|
| REF | QTY | 51 in. ■ PART NO. | DESCRIPTION |
| | | 210011 | Hose Group |
| 1 | 4 | 210018 | Hose |
| 2 | 1 | ▲ | Revolving Connection |

■ Maximum roll handling capacity.

▲ See Revolving Connection page for part number.

Reference: S-4192, S-4193.

Revolving Connection



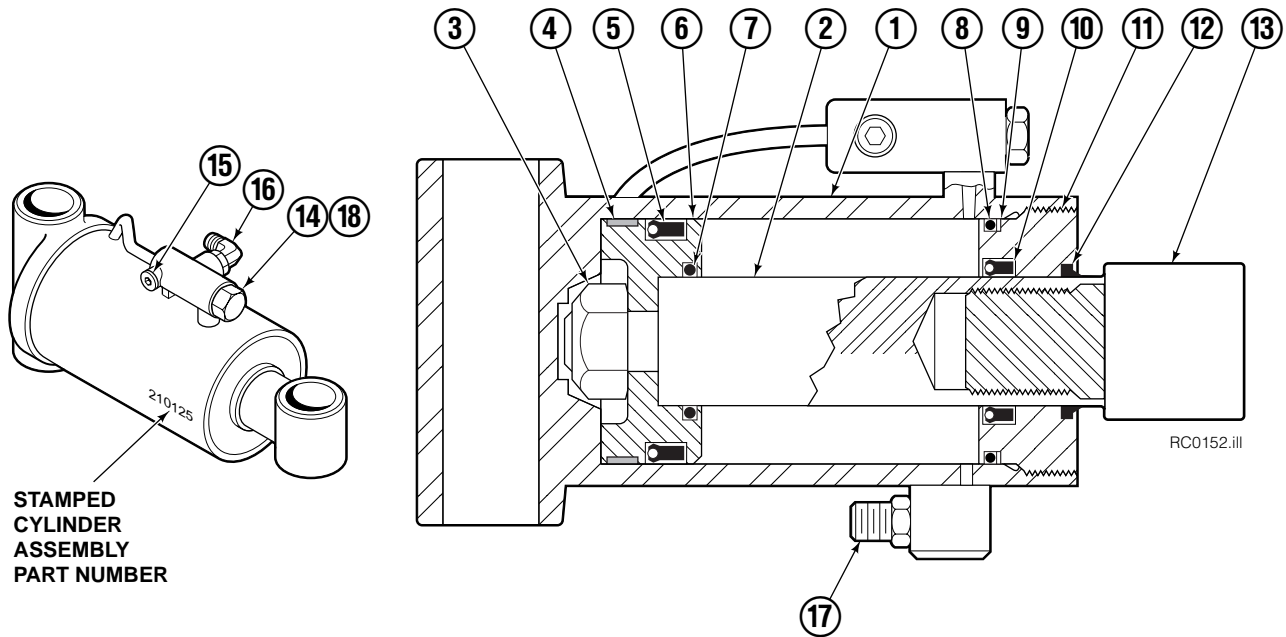
| REF | QTY | PART NO. | DESCRIPTION |
|-----|-----|----------|----------------------|
| | | 222298 | Revolving Connection |
| 1 | 1 | 222192 | Valve Body |
| 2 | 3 | 214649 | ◆ Seal |
| 3 | 1 | 222191 | Shaft |
| 4 | 1 | 7341 | ◆ Retaining Ring |
| 5 | 1 | 222190 | End Block |
| 6 | 2 | 227962 | Eye Pin |
| 7 | 2 | 564448 | ◆ O-Ring |
| 8 | 2 | 766123 | ◆ Capscrew, M8 x 50 |
| 9 | 4 | 604511 | Fitting, 6-6 |
| 10 | 4 | 604510 | Fitting, 6 |
| 11 | 2 | 768697 | Capscrew, M10 x 25 |
| 12 | 1 | 211909 | End Block Retainer |
| 13 | 1 | 3007512 | Capscrew, M12 x 25 |
| 14 | 1 | 209021 | Washer, M10 |
| 15 | 1 | 212725 | Spacer |
| 16 | 2 | 601377 | ● Fitting, 8-8 |
| 17 | 1 | 3138 | ◆ Retaining Ring |

◆ Included in Service Kit 222223.

● Included in Fitting Group 212367.

Reference: SK-6113.

Cylinders



| 60G | | | |
|-----|-----|----------|-------------------|
| REF | QTY | Long Arm | |
| | | 51 in. ■ | |
| | | PART NO. | DESCRIPTION |
| | | 210129 | Cylinder Assembly |
| 1 | 1 | 4195-350 | Shell |
| 2 | 1 | 4130-340 | Rod |

■ Maximum roll handling capacity.

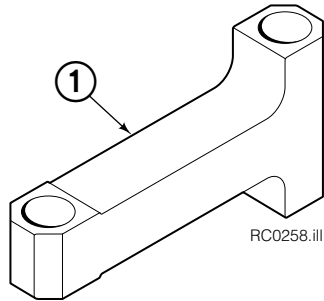
Common Parts

| REF | QTY | PART NO. | DESCRIPTION | REF | QTY | PART NO. | DESCRIPTION |
|-----|-----|----------|----------------|-----|-----|----------|-------------------------|
| 3 | 1 | 560997 | Nut | 12 | 1 | 564443 | Wiper ▲ |
| 4 | 1 | 211295 | Wear Ring ▲ | 13 | 1 | 209764 | Rod Eye |
| 5 | 1 | 564902 | Seal ▲ | 14 | 1 | 659058 | Check Valve |
| 6 | 1 | 211292 | Piston | 15 | 1 | 609234 | Fitting, 4 |
| 7 | 1 | 210087 | O-Ring ▲ | 16 | 1 | 601676 | Fitting, 6-6 |
| 8 | 1 | 564445 | O-Ring ▲ | 17 | 1 | 604511 | Fitting, 6-6 |
| 9 | 1 | 564446 | Back-Up Ring ▲ | 18 | 1 | 667516 | Check Valve Service Kit |
| 10 | 1 | 564442 | Seal ▲ | | | 210133 | Cylinder Service Kit |
| 11 | 1 | 209763 | Retainer | | | | |

▲ Included In Service Kit 210133.

Reference: S-4454, S-4460.

Short Arm Link

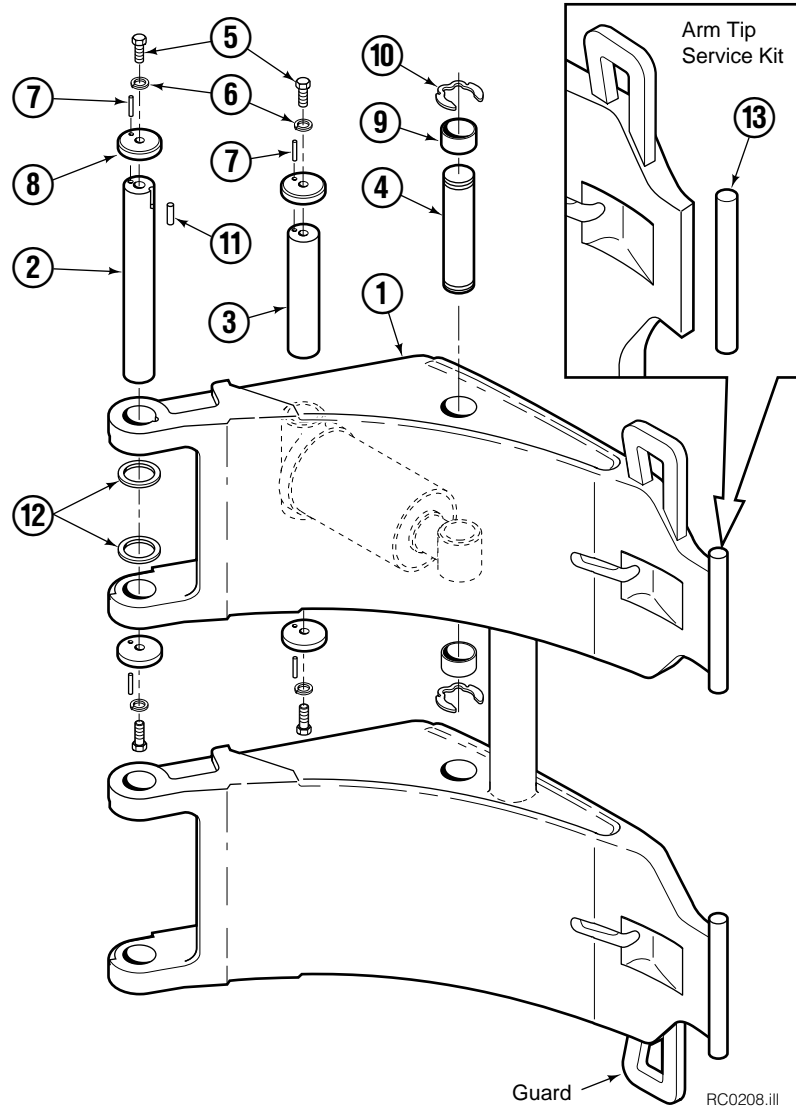


| 60G | | | |
|-----|-----|----------|-----------------|
| REF | QTY | PART NO. | DESCRIPTION |
| 1 | 2 | 210142 | Link – 51 in. ■ |
| | 2 | 210144 | Link – 60 in. ■ |
| | 2 | 210145 | Link – 72 in. ■ |

■ Maximum roll handling capacity.

Reference: S-4196, S-4203.

Short Arm



| 60G | | | |
|-----|-----|----------|---------------------|
| REF | QTY | 51 in. ■ | DESCRIPTION |
| | | PART NO. | |
| | | 212034 | Arm Group w/o Guard |
| 1 | 1 | 213316 | Arm w/o Guard |

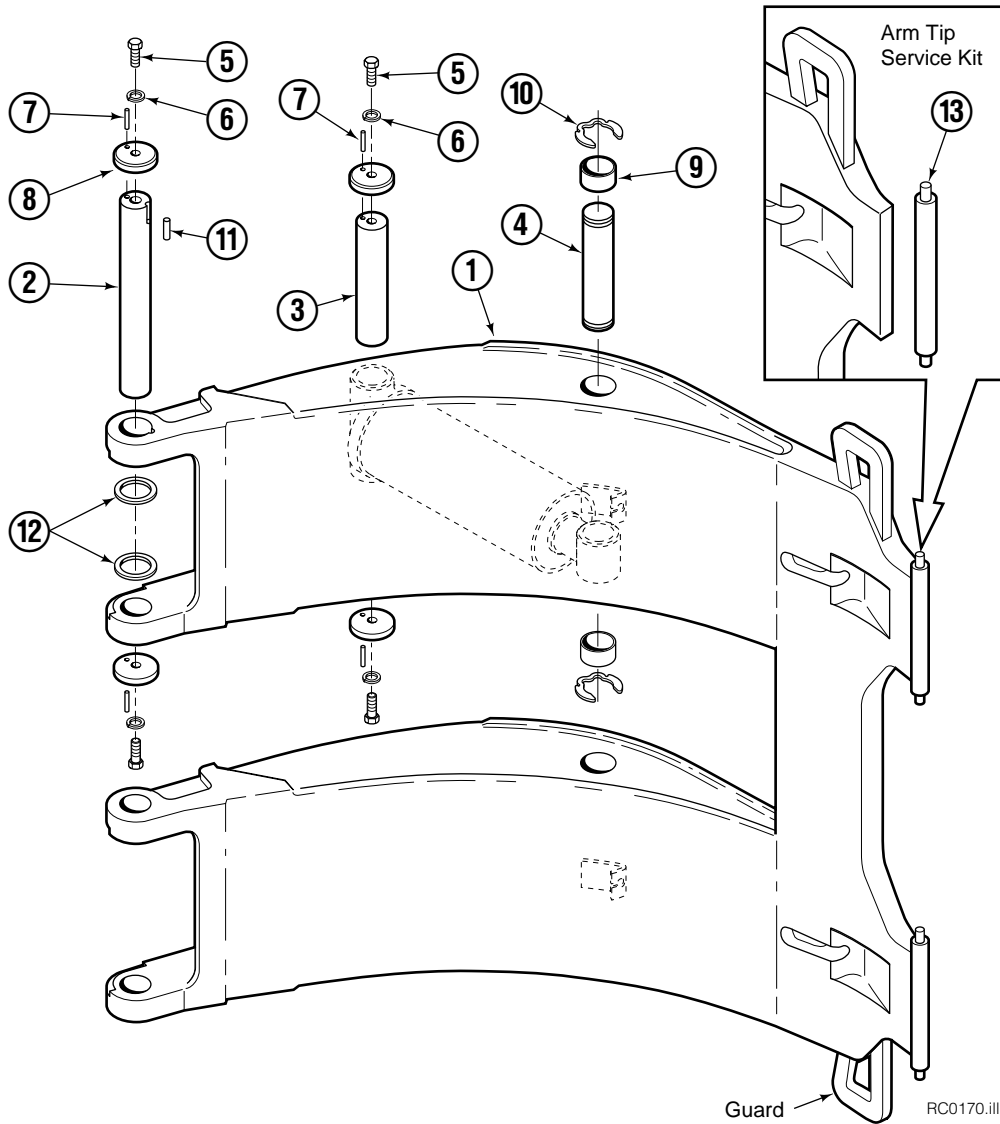
■ Maximum roll handling capacity.

Common Parts

| REF | QTY | PART NO. | DESCRIPTION | REF | QTY | PART NO. | DESCRIPTION |
|-----|-----|----------|------------------------|-----|-----|----------|---------------------|
| | | 212933 | Common Parts Group | 8 | 8 | 209985 | Cap |
| 2 | 2 | 209982 | Arm Pivot Pin | 9 | 4 | 210080 | Bearing |
| 3 | 2 | 209983 | Cylinder Pivot Pin | 10 | 4 | 209986 | Retaining Ring |
| 4 | 2 | 4175-150 | Cylinder Rod Pivot Pin | 11 | 2 | 212382 | Dowel Pin, 8x16 mm |
| 5 | 8 | 212632 | Capscrew, M10x1.5x20 | 12 | 16 | 209941 | Shim - .062 in. |
| 6 | 8 | 209021 | Washer, M10 | 13 | 1 | 212902 | Arm Tip Service Kit |
| 7 | 8 | 769009 | Roll Pin | | | | |

Reference: S-4173.

Long Arm



| 60G | | | |
|-----|-----|----------|---------------------|
| REF | QTY | 51 in. ■ | DESCRIPTION |
| | | PART NO. | |
| | | 212409 | Arm Group w/o Guard |
| 1 | 1 | 213340 | Arm w/o Guard |

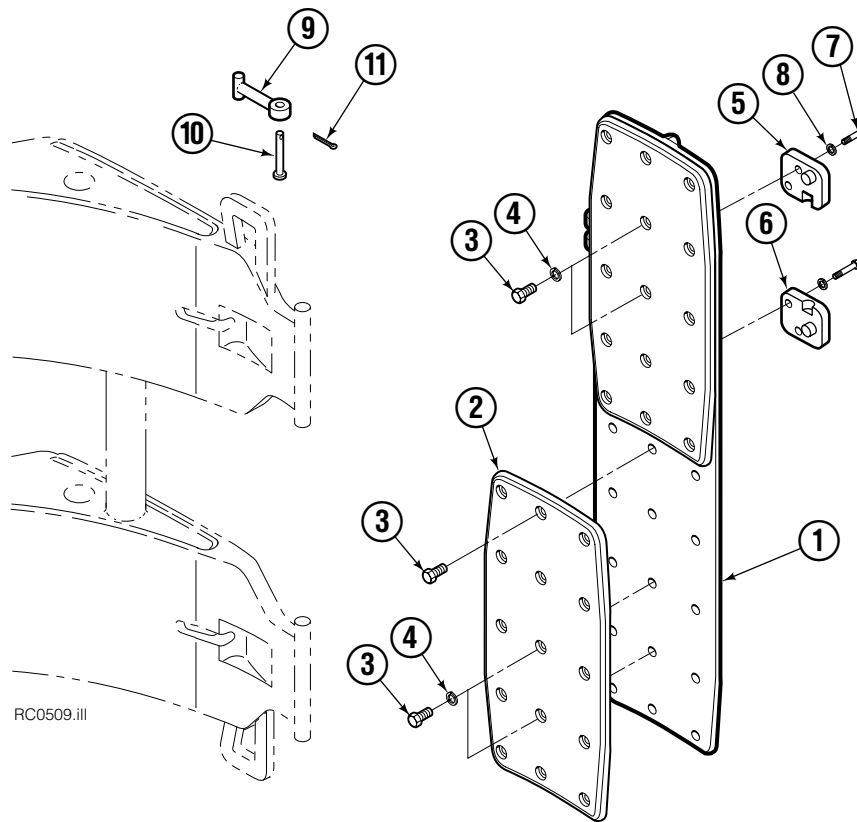
■ Maximum roll handling capacity.

Common Parts

| REF | QTY | PART NO. | DESCRIPTION | REF | QTY | PART NO. | DESCRIPTION |
|-----|-----|----------|------------------------|-----|-----|----------|---------------------|
| | | 212933 | Common Parts Group | 8 | 8 | 209985 | Cap |
| 2 | 2 | 209982 | Arm Pivot Pin | 9 | 4 | 210080 | Bearing |
| 3 | 2 | 209983 | Cylinder Pivot Pin | 10 | 4 | 209986 | Retaining Ring |
| 4 | 2 | 4175-150 | Cylinder Rod Pivot Pin | 11 | 2 | 212382 | Dowel Pin, 8x16 mm |
| 5 | 8 | 212632 | Capscrew, M10x1.5x20 | 12 | 16 | 209941 | Shim - .062 in. |
| 6 | 8 | 209021 | Washer, M10 | 13 | 1 | 212903 | Arm Tip Service Kit |
| 7 | 8 | 769009 | Roll Pin | | | | |

Reference: S-4171.

Pad Groups – Short Arm



RC0509.iii

| 60G | | | |
|-----|-----|----------|--------------------------|
| REF | QTY | PART NO. | DESCRIPTION |
| | | 6016130 | Bolt-On Rubber Pad Group |
| 1 | 1 | 6016146 | Contact Pad ● |
| 2 | 2 | 209921 | Bolt-On Rubber ● |
| 3 | 30 | 213543 | Capscrew, M8 ● |
| 4 | - | - | Lockwasher, M8 |
| 5 | 2 | 211997 | Retainer - RH ▲ ■ |
| 6 | 2 | 211998 | Retainer - LH ▲ ■ |
| 7 | 8 | 767810 | Capscrew, M12 x 25 ■ |
| 8 | 8 | 681473 | Lockwasher, M12 ■ |
| 9 | 2 | 209916 | Link ■ |
| 10 | 2 | 674265 | Clevis Pin ■ |
| 11 | 2 | 6525 | Cotter Pin ■ |

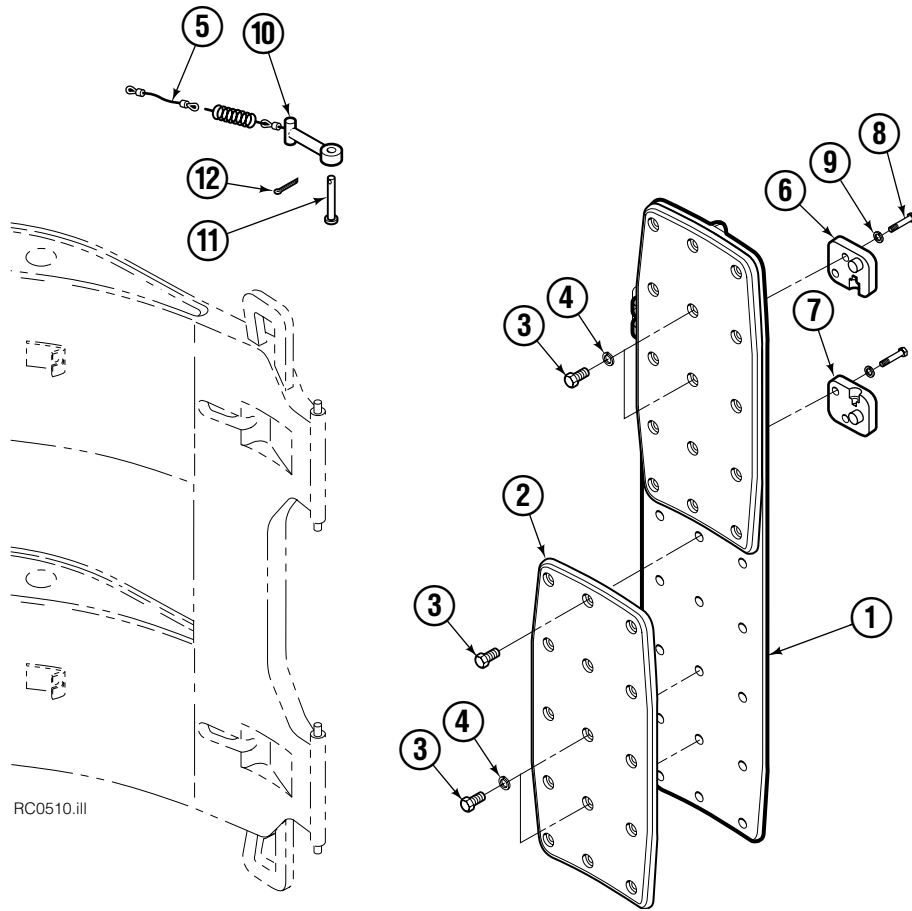
● Included in Contact Pad Assembly 6016145.

▲ Driver's view, clamp in horizontal position, Short Arm up.

■ Included in Short Arm Common Parts Group 212934.

Reference: S-4177.

Pad Groups – Long Arm



RC0510.ill

| 60G | | | |
|-----|-----|----------|--------------------------|
| REF | QTY | PART NO. | DESCRIPTION |
| | | 6016147 | Bolt-On Rubber Pad Group |
| 1 | 1 | 6016146 | Contact Pad ● |
| 2 | 2 | 209921 | Bolt-On Rubber ● |
| 3 | 30 | 213543 | Capscrew, M8 ● |
| 4 | - | - | Lockwasher, M8 |
| 5 | 2 | 4182-110 | Cable |
| 6 | 2 | 211997 | Retainer – RH ▲ ■ |
| 7 | 2 | 211998 | Retainer – LH ▲ ■ |
| 8 | 8 | 767810 | Capscrew, M12 x 25 ■ |
| 9 | 8 | 681473 | Lockwasher, M12 ■ |
| 10 | 2 | 209916 | Link Assembly ■ |
| 11 | 2 | 674265 | Clevis Pin ■ |
| 12 | 2 | 6525 | Cotter Pin ■ |

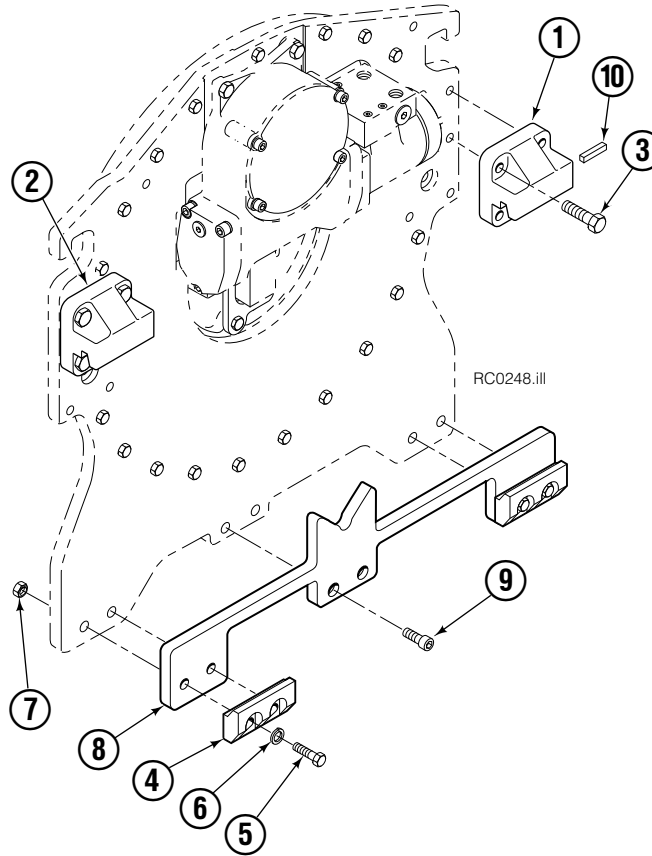
● Included in Contact Pad Assembly 6016145.

▲ Driver's view, clamp in horizontal position, Long Arm up.

■ Included in Long Arm Common Parts Group 212934.

Reference: S-4177.

Mounting Groups – 2°



| 60G Bolt-On Mounting | | | |
|----------------------|-----|---------------------|---------------------------|
| REF | QTY | ITA III PART NO. | DESCRIPTION |
| | | 209926 | Mounting Group |
| 1 | 1 | 209932 | Upper Hook - R.H. |
| 2 | 1 | 209933 | Upper Hook - L.H. |
| 3 | 4 | 779010 | Capscrew, M16x2x35-8.8 |
| 4 | 2 | 675969 | Lower Hook |
| 5 | 4 | 678997 | Capscrew, M16x2x70-8.8 |
| 6 | 4 | 667225 | Washer, .625 in. I.D. |
| 7 | 4 | 781534 | Nut, M16x2 |
| 8 | 1 | 209936 | Spacer |
| 9 | 2 | 212146 | Capscrew, M12x1,75x25-8.8 |
| 10 | 1 | 669344 | Stop Kit |

Do you have questions you need answered right now? Call your nearest Cascade Parts Department.

Cascade Corporation
2501 Sheridan Avenue
Springfield, OH 45505
Tel: 888-CASCADE (227-2233)
FAX: 888-329-0234
www.cascorp.com

Cascade Canada Inc.
5570 Timberlea Blvd.
Mississauga, Ontario
Canada L4W-4M6
Tel: 905-629-7777
FAX: 905-629-7785

Cascade GmbH
D-41199 Monchengladbach
Klosterhofweg 52
Germany
Tel: 21-66-602091
FAX: 21-66-680947

Cascade Finland
01370 Vantas
Finland
Tel: 358-0-836-1925
FAX: 358-0-836-1935

**Cascade N.V.
European Headquarters**
P.O. Box 3009
1300 El Almere
Damsluisweg 56
1332 ED Almere
The Netherlands
Tel: 31-36-5492911
FAX: 31-36-5492964

**Cascade N.V.
Benelux Sales and Service**
P.O. Box 3009
1300 El Almere
Damsluisweg 56
1332 ED Almere
The Netherlands
Tel: 31-36-5492950
FAX: 31-36-5492974

Cascade (UK) Ltd.
15, Orgreave Crescent
Dore House Industrial Estate
Handsworth
Sheffield S13 9NQ
England
Tel: 742-697524
FAX: 742-695121

**Cascade Scandinavia
Hydraulik A.B.**
Muskötgatan 19, E8-9
S25466 Helsingborg
Sweden
Tel: 42-151135
FAX: 42-152997

Cascade Norway
Østerliveien 37A
1153 Oslo
Norway
Tel: 47-22-743160
FAX: 47-22-743157

Cascade France S.A.R.L.
11, Rue Jean Charcot
Zone Industrielle Sud or
B.P. 22
91421 Morangis Cedex
France
Tel: 1- 64547501
FAX: 1-9790584

Cascade Hispania S.A.
Avenida De La Fabregada, 7
Hospitalet De Llobregat
Barcelona
Spain
Tel: 3-335-5158
FAX: 3-335-4756

Cascade Japan Ltd.
5-5-41,
Torikai Kami
Settsu, Osaka
Japan, 566
Tel: 81-726-53-3490
FAX: 81-726-53-3497

Cascade Korea
Room 508, Pum Yang Bldg.
750-14, Bang Bac-Dong
Se-Cho Ku, Seoul
Korea
Tel: 2599-7131 ext. 512
FAX: 2533-8089

HYCO-Cascade Pty. Ltd.
1445 Ipswich Road
Rocklea,
Queensland 4107
Australia
Tel: 3-274-2722
FAX: 3-274-3456

HYCO-Cascade (NZ) Ltd.
15 Ra Ora Drive, East Tamaki
P.O. Box 38-440
Howick, Auckland
New Zealand
Tel: 9-273-9136
FAX: 9-273-9137

Cascade (Africa) Pty. Ltd.
P.O. Box 625, Isando 1600
60A Steel Road
Sparton, Kempton Park
South Africa
Tel: 975-9240
FAX: 394-1147

Cascade-Xiamen
Wanshan No. 1 Workshop
Huli Road
Xiamen 361006
Fujian, PRC
Tel: 592-562-4600
FAX: 592-562-4671

**Cascade (Singapore)
Trading Co.**
Four Seasons Park
Autumn Block - Apt. 1802
12 Cascaden Walk
Singapore
Tel: 65-834-1935
FAX: 65-834-1936

