



# Parts Manual

---

Model \_\_\_\_\_ **Paper Roll Clamp**

Serial Number \_\_\_\_\_ **60G-RC-067**

---

**cascade**<sup>®</sup>

**For Technical Assistance call:** 800-227-2233, Fax: 888-329-8207

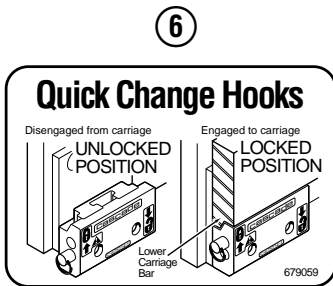
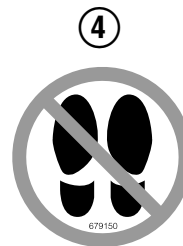
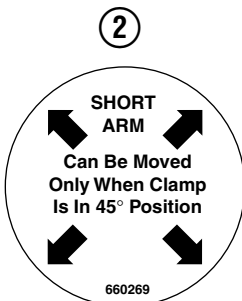
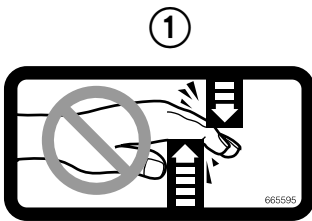
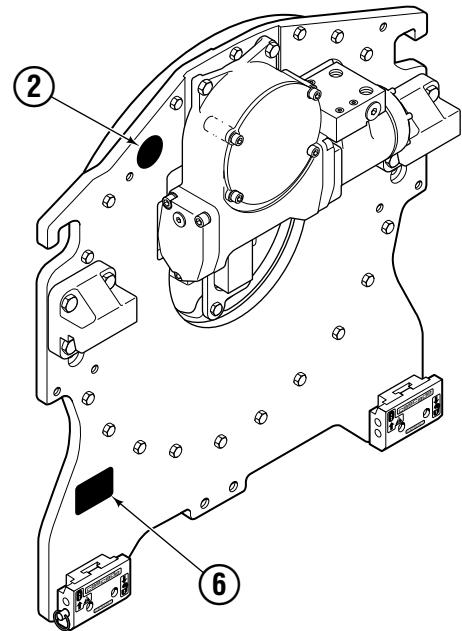
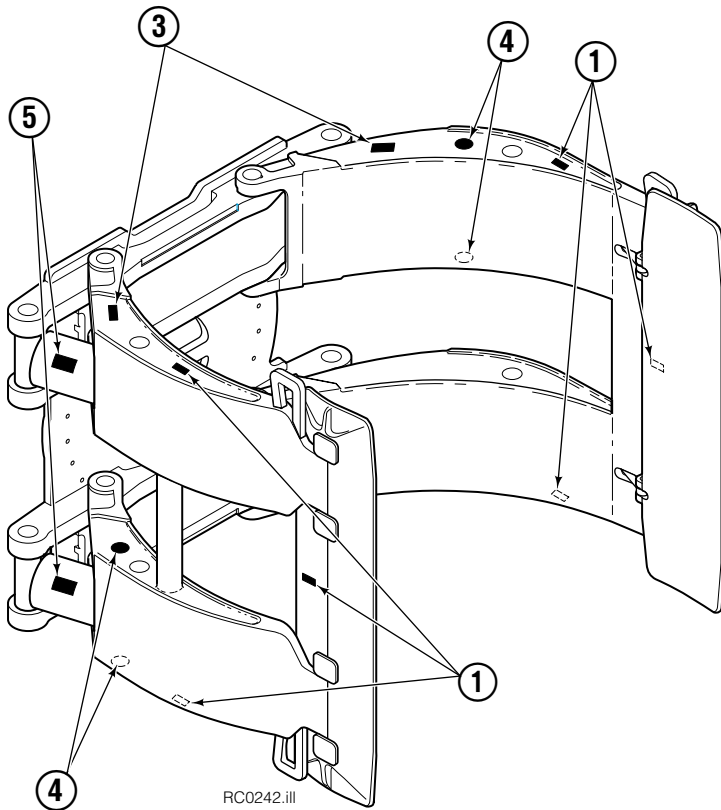
**To Order Parts call:** 888-227-2233, Fax: 888-329-0234

**OR**

**Write:** Cascade Corporation, P.O. Box 20187, Portland, OR 97220

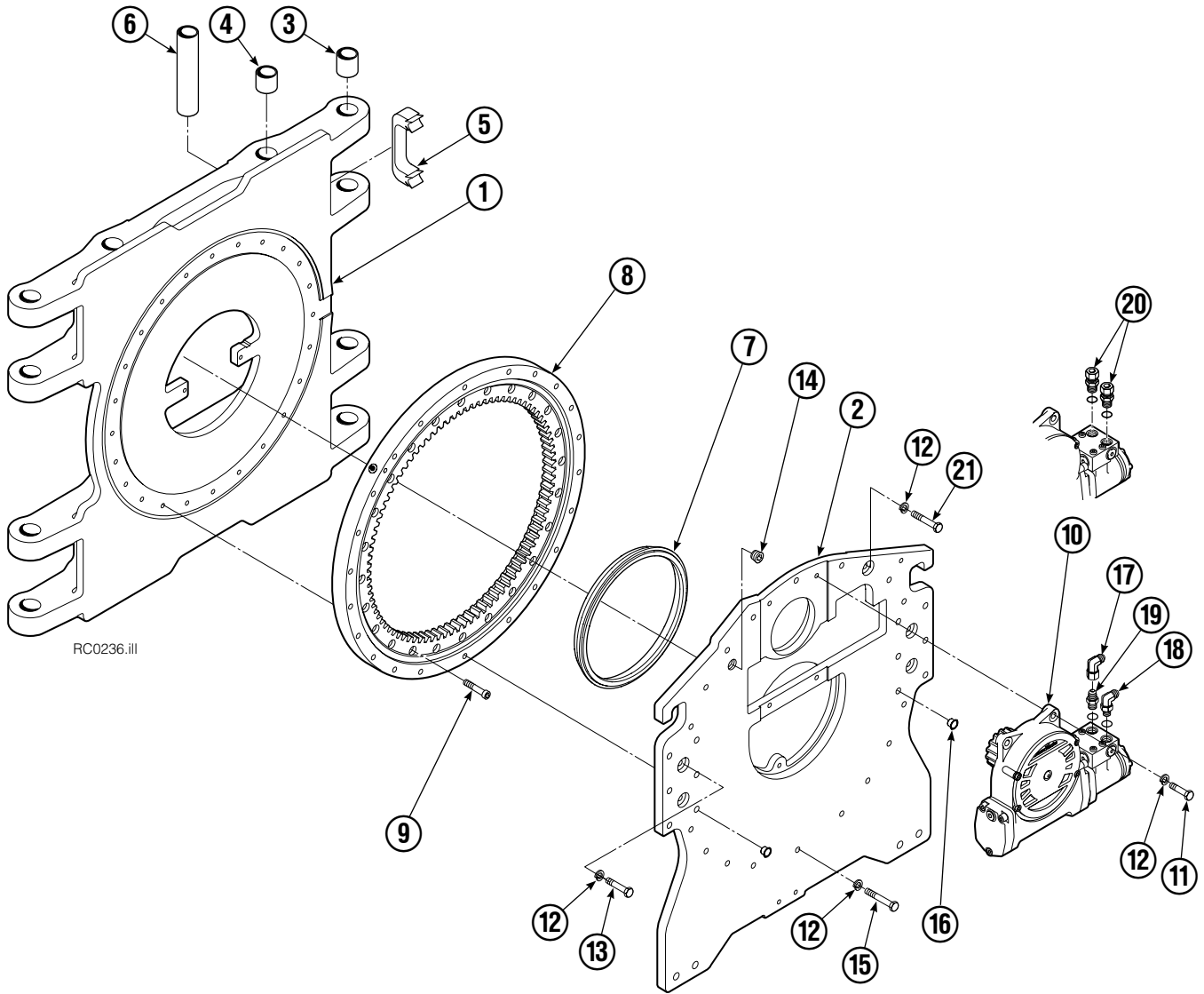
**Internet:** [www.cascorp.com](http://www.cascorp.com)

# Decals



60G				
REF	QTY	PART NO.	DESCRIPTION	
1	6	665595	No Hand Hold Decal	
2	1	660269	Short Arm Rotation Position Decal	
3	4	656038	Caution Decal	
4	4	679150	No Step Decal	
5	4	665677	Trapped Pressure Decal	
6	1	679059	Quick-Change Hook Decal	

# Frame Group



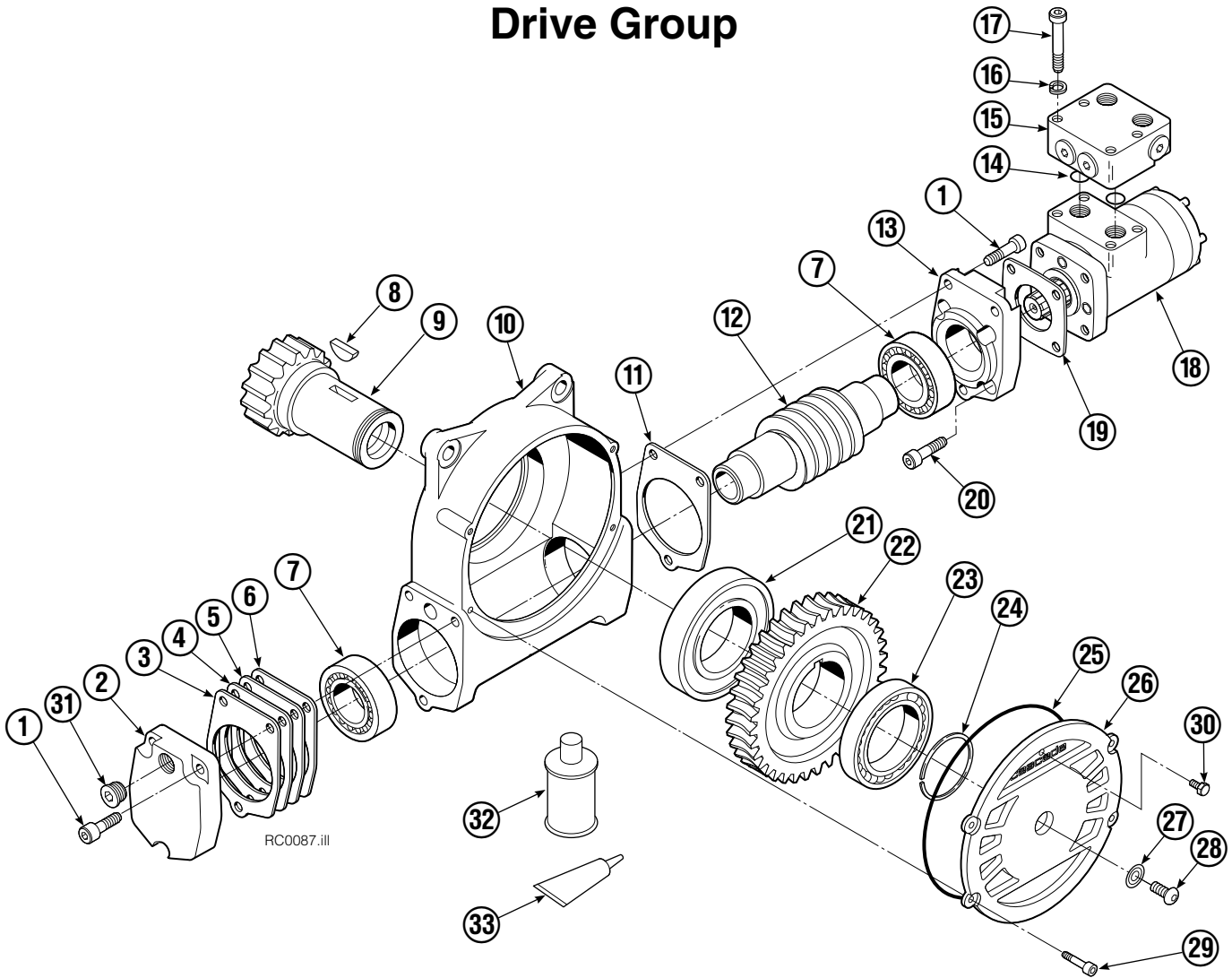
RC0236.ill

60G							
REF	QTY	PART NO.	DESCRIPTION	REF	QTY	PART NO.	DESCRIPTION
		390872	Frame Group w/o Stop – 84 in. ▲	11	4	211689	Capscrew, M12 x 30
1	1	391061	Frame w/o Stop – 84 in.	12	26	683822	Lockwasher, M12
2	1	209940	Baseplate w/o Stop	13	4	206174	Capscrew, M12 x 45
3	8	211718	Bearing	14	1	6605	Fitting, 3/4 in.
4	8	211717	Bearing	15	18	213633	Capscrew, M12 x 55
5	4	211712	Hose Guard	16	2	631428	Plug
6	4	209987	Spacer	17	1	605761	Fitting, 8-8 SAE
7	1	209944	Seal	18	1	601250	Fitting, 8-8 SAE
8	1	213761	Bearing Assembly	19	1	601377	Fitting, 8-8 SAE
9	24	767596	Capscrew, M12 x 40		2	765492	Fitting, 8 SAE – M10 L-Series
10	1	212308	Drive Group – 2.2 c.i. Motor ●	20	2	765493	Fitting, 8 SAE – M12 L-Series
10	1	795491	Drive Group – 2.8 c.i. Motor ●		2	756920	Fitting, 8 SAE – M12 S-Series

▲ Maximum roll handling capacity.  
 ● See Drive Group page for parts breakdown.  
 Reference: S-4165, S-4506, S-4189, S-4159.

Rotator & Baseplate 213763.  
 Fitting Group 212367.  
 Common Parts 211975 & 213762.

# Drive Group

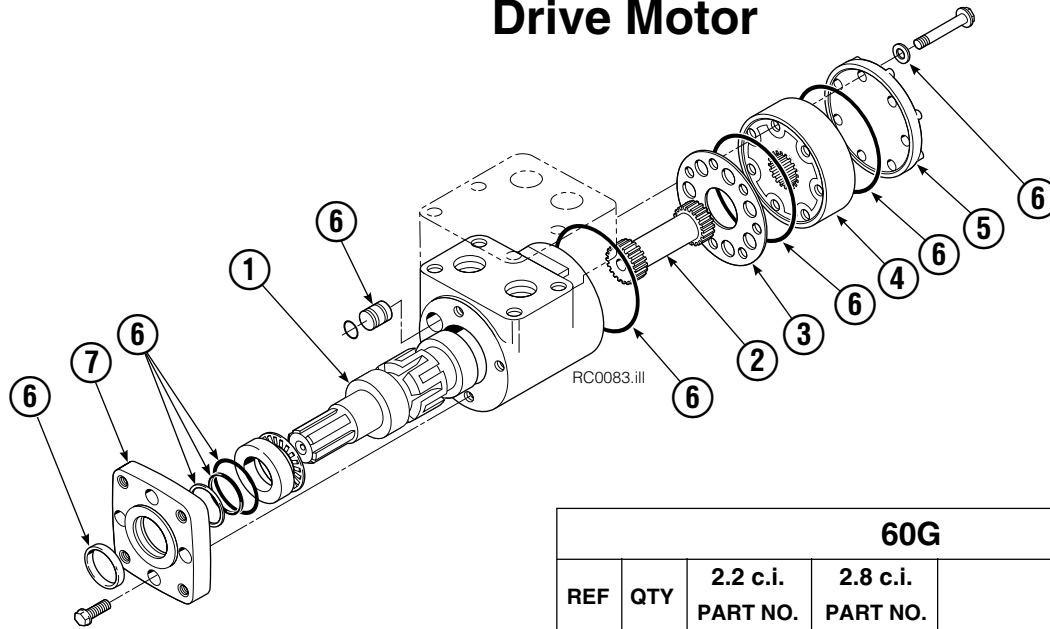


60G							
REF	QTY	PART NO.	DESCRIPTION	REF	QTY	PART NO.	DESCRIPTION
		212308	Drive Group with 2.2 c.i. Motor	19	1	670575	Gasket
		795491	Drive Group with 2.8 c.i. Motor	20	4	4468	Capscrew, 3/8 NC x .75 GR8
1	6	768826	Capscrew, M12 x 25	21	1	670580	Bearing
2	1	795258	Cover	22	1	675609	Worm Gear
3	●	674513	Shim - .005" (blue)	23	1	670581	Bearing
4	●	670574	Shim - .010" (brown)	24	1	7214	Snap Ring
5	●	671757	Shim - .015" (pink)	25	1	204970	Gasket
6	●	671758	Shim - .020" (yellow)	26	1	775552	Cover
7	2	670579	Bearing	27	1	783609	Seal
8	1	670582	Key	28	1	783608	Capscrew, M12 x 16
9	1	670506	Pinion	29	4	775639	Capscrew, M8 x 20
10	1	775551	Housing	30	1	644010	Relief Fitting
11	1	686465	Gasket	31	1	602580	Fitting, 8
12	1	675608	Worm	32	1	656300	Gear Box Lube - 48 oz.
13	1	775553	Adapter	33	1	668184	Sealant
14	2	2705	O-Ring			670578	Shim Service Kit (items 3-6,11,25,33)
15	1	670549	Check Valve			675637	Bearing Service Kit (items 21 & 33)
16	4	6444	Lockwasher			675638	Bearing Service Kit (items 3-7,11,25)
17	4	607059	Capscrew, 5/16 NC x 1.75 GR8			212919	Motor Kit-2.2 (items 11,14,18,19,20,33)
18	1	210139	Drive Motor - 2.2 c.i. ▲			206394	Motor Kit-2.8 (items 11,14,18,19,20,33)
18	1	206392	Drive Motor - 2.8 c.i. ▲				

● Quantity as required.

▲ See Drive Motor page for parts breakdown.

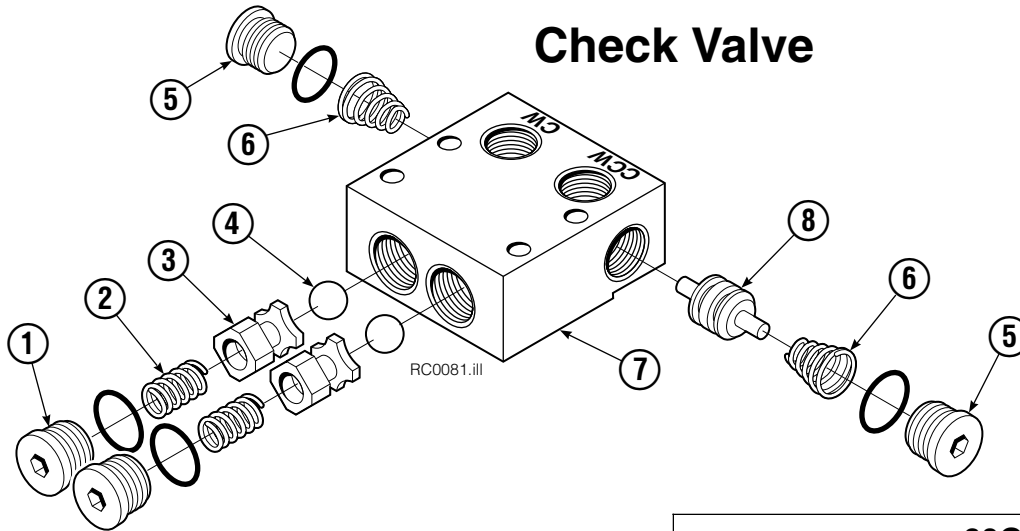
# Drive Motor



60G				
REF	QTY	2.2 c.i. PART NO.	2.8 c.i. PART NO.	DESCRIPTION
		210139	206392	Drive Motor
1	1	675478	675478	Shaft
2	1	675477	675477	Drive Link
3	1	211528	675479	Spacer Plate
4	1	210137	675480	Geroler/Gerotor Set
5	1	211527	675482	End Cap
6	1	206405	206405	Service Kit ●
7	1	685090	685090	Flange

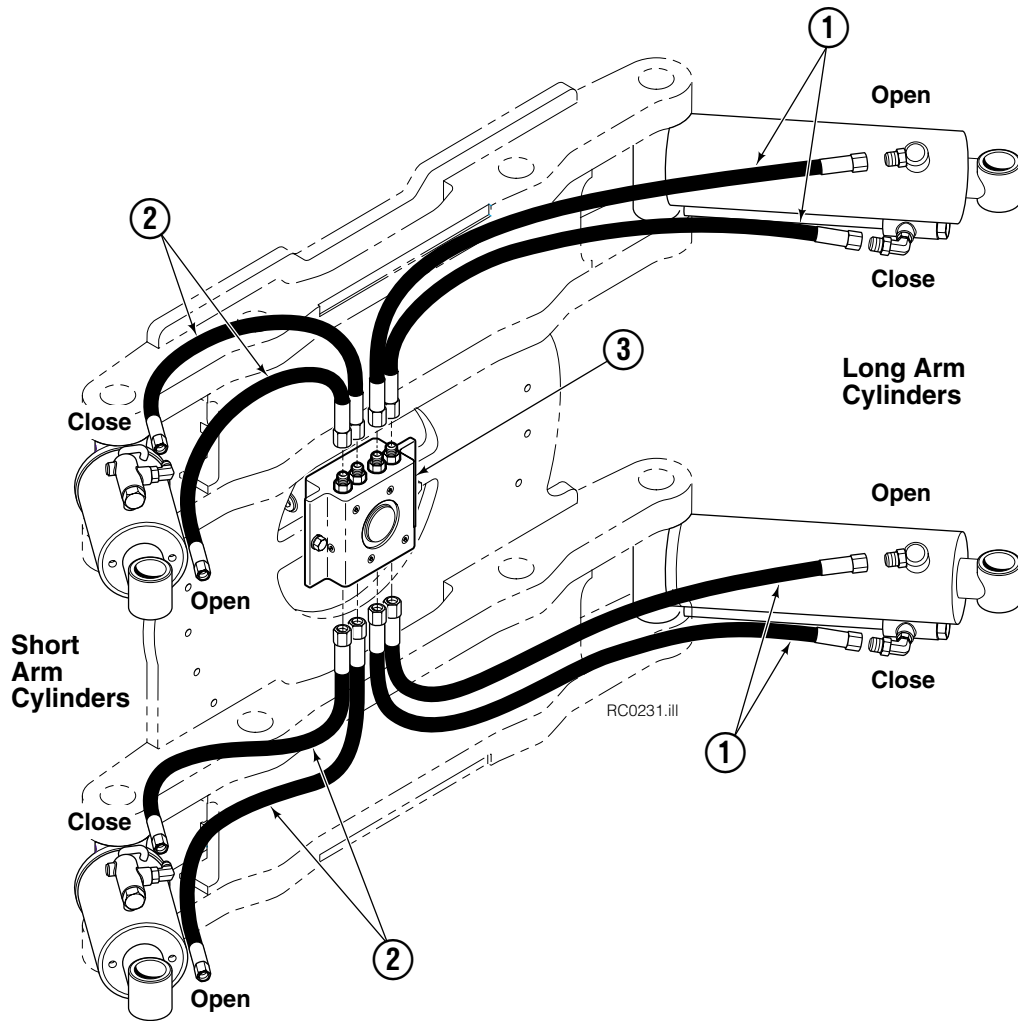
Cascade provides service replacement parts for the listed parts only. Due to cost, if others parts need replacement, the complete Drive Motor should be replaced.

# Check Valve



60G			
REF	QTY	PART NO.	DESCRIPTION
		670549	Check Valve Assembly
1	2	609453	Fitting, 10
2	2	670552	Spring
3	2	670551	Guide
4	2	7020	Ball
5	2	602580	Fitting, 8
6	2	673989	Spring
7	1	670550	Body
8	1	670553	Spool

# Hosing Group Positioned Short Arm



60G			
REF	QTY	84 in. ■ PART NO.	DESCRIPTION
		390869	Hose Group
1	4	392902	Hose
2	4	392903	Hose
3	1	▲	Revolving Connection

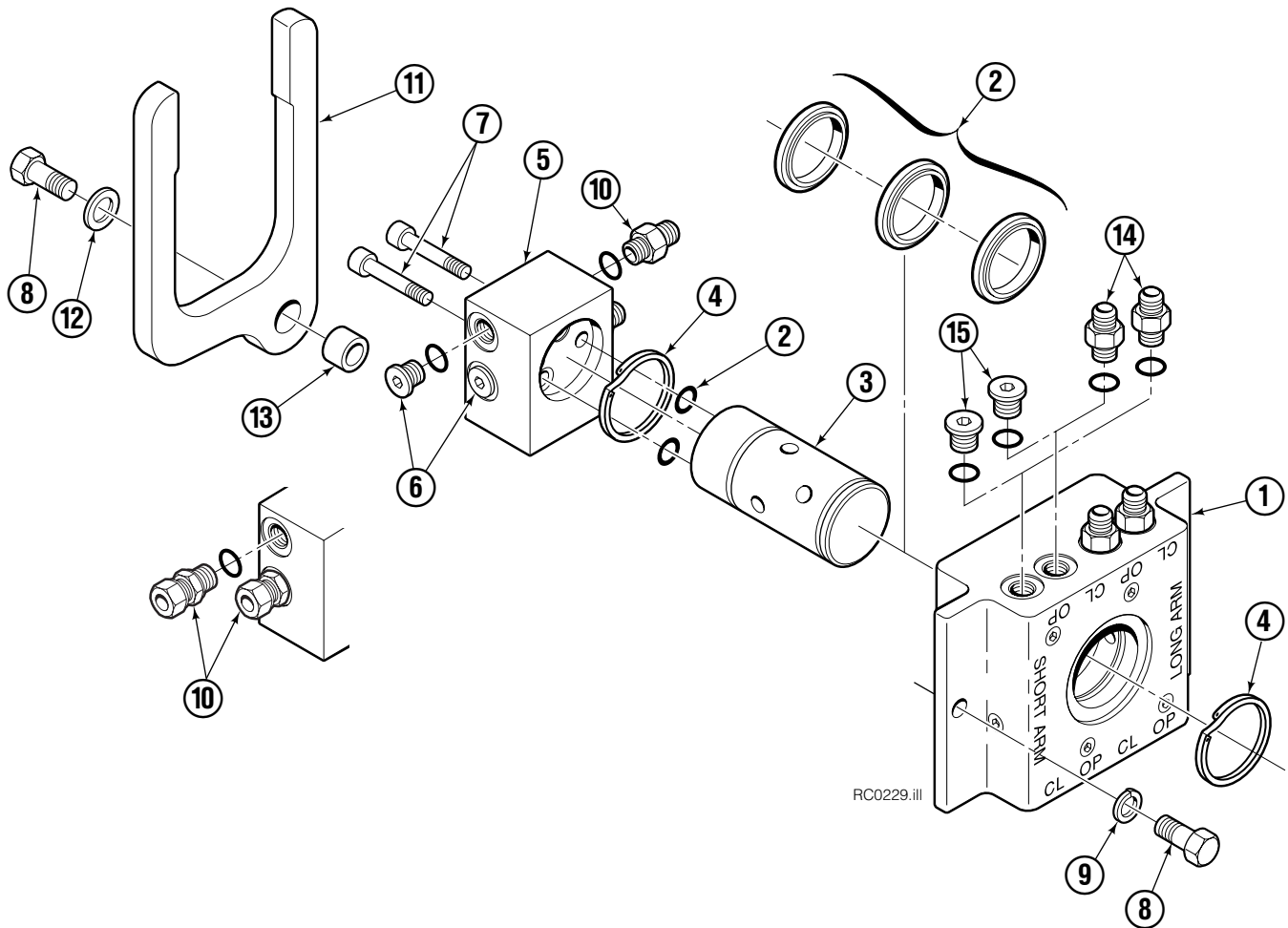
■ Maximum roll handling capacity.

▲ See Revolving Connection page for part number.

Reference: S-4192, S-4193.

# Revolving Connection

## Standard Long Arm / Without Relief



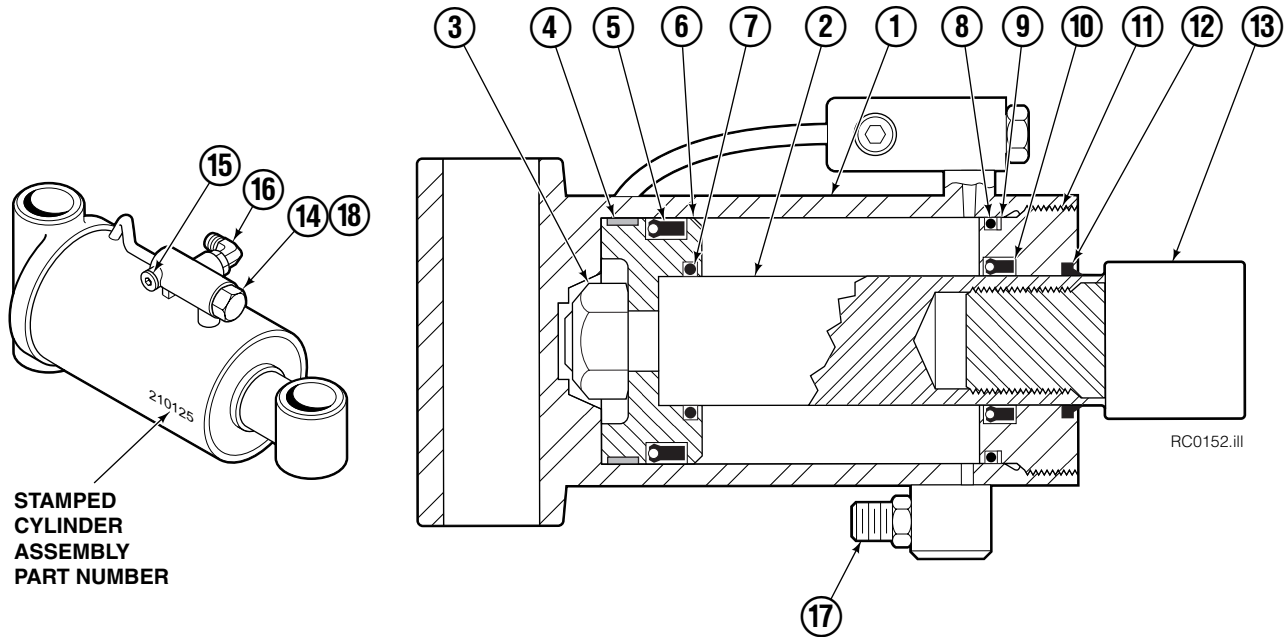
60G							
REF	QTY	PART NO.	DESCRIPTION	REF	QTY	PART NO.	DESCRIPTION
		<b>212201</b>	Rev. Connection – Pos. Short Arm	9	2	681238	Lockwasher, M10
		212202	Rev. Connection – Fixed Short Arm	10	2	601377	Fitting, 8-8 SAE
1	1	209950	Body		2	765492	Fitting, 8 SAE – M10 L-Series
2	1	212912	Service Kit		2	765493	Fitting, 8 SAE – M12 L-Series
3	1	209952	Shaft		2	756920	Fitting, 8 SAE – M12 S-Series
4	2	7350	Retaining Ring	11	1	211909	End Block Retainer
5	1	212169	End Block	12	1	209021	Washer, M10
6	2	602580	Fitting, 8	13	1	212725	Spacer
7	2	768798	Capscrew, M8 x 45	14	●	604511	Fitting, 6 – Pos. Short Arm
8	3	215480	Capscrew, M10 x 25	15	●	604510	Fitting, 6 – Fixed Short Arm

● Quantity as required.

Reference: Fitting Group 212367.

S-4163, SK-6113.

# Cylinders



STAMPED  
CYLINDER  
ASSEMBLY  
PART NUMBER

60G				
REF	QTY	Short Arm	Long Arm	DESCRIPTION
		84 in. ■	84 in. ■	
		PART NO.	PART NO.	
		390870	390871	Cylinder Assembly
1	1	4195-181	4195-428	Shell
2	1	4130-405	4130-625	Rod

■Maximum roll handling capacity.

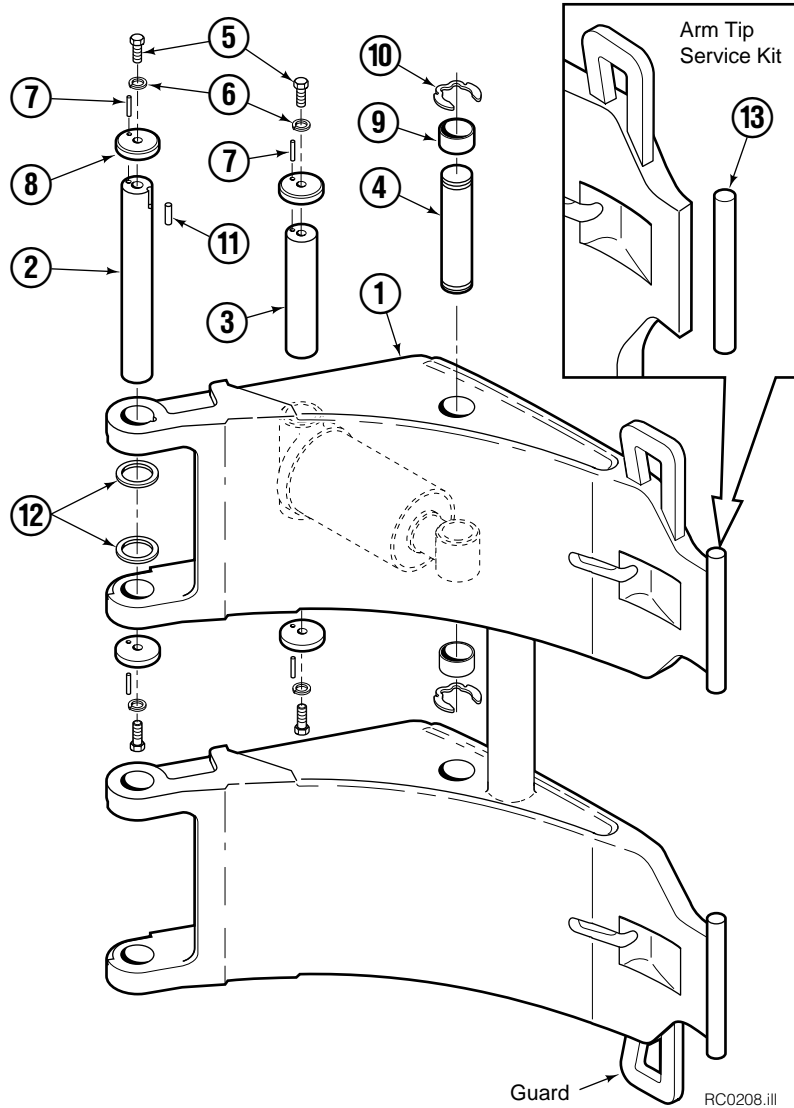
## Common Parts

REF	QTY	PART NO.	DESCRIPTION	REF	QTY	PART NO.	DESCRIPTION
3	1	560997	Nut	12	1	564443	Wiper ▲
4	1	211295	Wear Ring ▲	13	1	209764	Rod Eye
5	1	564902	Seal ▲	14	1	659058	Check Valve
6	1	211292	Piston	15	1	609234	Fitting, 4
7	1	210087	O-Ring ▲	16	1	601676	Fitting, 6-6
8	1	564445	O-Ring ▲	17	1	604511	Fitting, 6-6
9	1	564446	Back-Up Ring ▲	18	1	667516	Check Valve Service Kit
10	1	564442	Seal ▲			210133	Cylinder Service Kit
11	1	209763	Retainer				

▲ Included In Service Kit 210133.

Reference: S-4454, S-4460.

# Short Arm



60G			
REF	QTY	84 in. ■	DESCRIPTION
		PART NO.	
		390873	Arm Group w/o Guard
1	1	392089	Arm w/o Guard

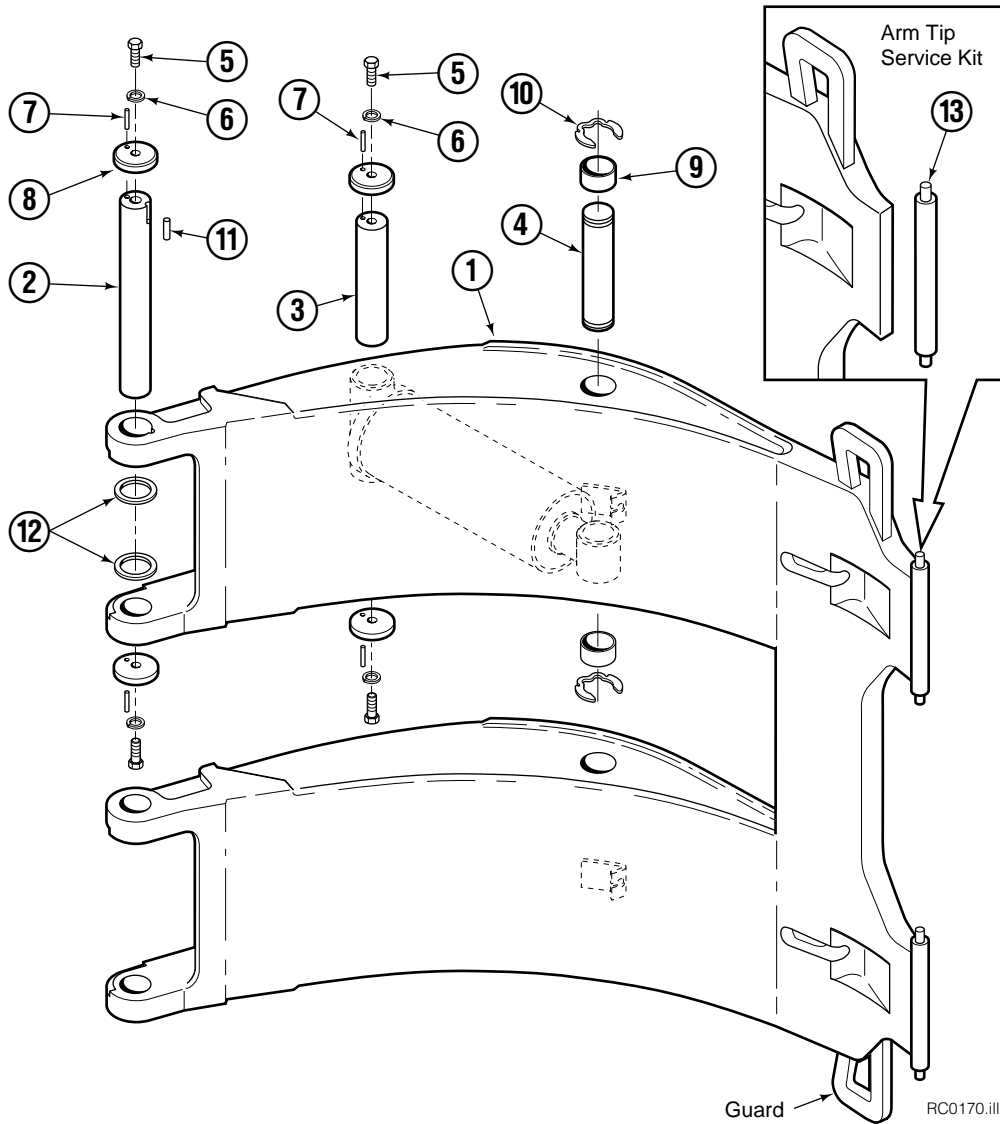
■ Maximum roll handling capacity.

## Common Parts

REF	QTY	PART NO.	DESCRIPTION	REF	QTY	PART NO.	DESCRIPTION
		212933	Common Parts Group	8	8	209985	Cap
2	2	209982	Arm Pivot Pin	9	4	210080	Bearing
3	2	209983	Cylinder Pivot Pin	10	4	209986	Retaining Ring
4	2	4175-150	Cylinder Rod Pivot Pin	11	2	212382	Dowel Pin, 8x16 mm
5	8	212632	Capscrew, M10x1.5x20	12	16	209941	Shim - .062 in.
6	8	209021	Washer, M10	13	1	212902	Arm Tip Service Kit
7	8	769009	Roll Pin				

Reference: S-4173.

# Long Arm



60G			
REF	QTY	84 in. ■	DESCRIPTION
		PART NO.	
		390874	Arm Group w/o Guard
1	1	392084	Arm w/o Guard

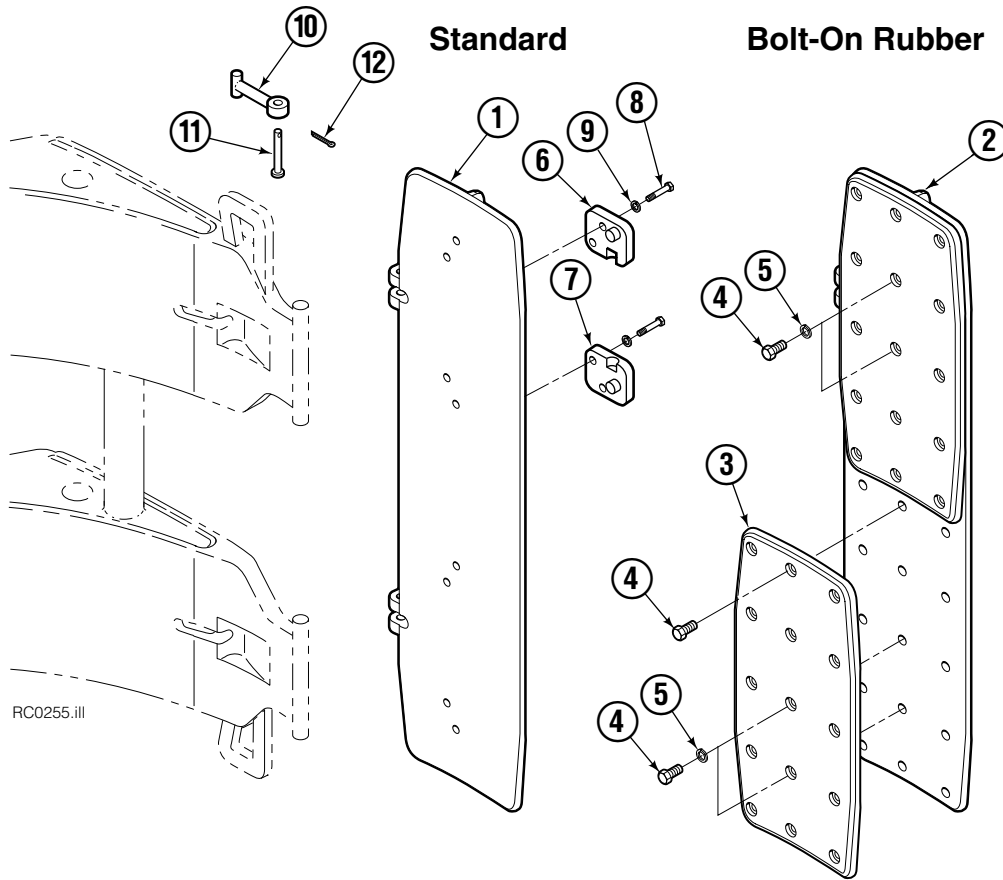
■ Maximum roll handling capacity.

## Common Parts

REF	QTY	PART NO.	DESCRIPTION	REF	QTY	PART NO.	DESCRIPTION
		212933	Common Parts Group	8	8	209985	Cap
2	2	209982	Arm Pivot Pin	9	4	210080	Bearing
3	2	209983	Cylinder Pivot Pin	10	4	209986	Retaining Ring
4	2	4175-150	Cylinder Rod Pivot Pin	11	2	212382	Dowel Pin, 8x16 mm
5	8	212632	Capscrew, M10x1.5x20	12	16	209941	Shim - .062 in.
6	8	209021	Washer, M10	13	1	212903	Arm Tip Service Kit
7	8	769009	Roll Pin				

Reference: S-4171.

# Pad Groups – Short Arm



RC0255.ill

60G			
REF	QTY	84 in. ■	DESCRIPTION
		PART NO.	
		390876	Bolt-On Rubber Pad Group
2	1	390491	Pad, Bolt-On Rubber
3	2	209921	Bolt-On Rubber
4	30	213543	Capscrew, M8
5	8	686119	Lockwasher, M8

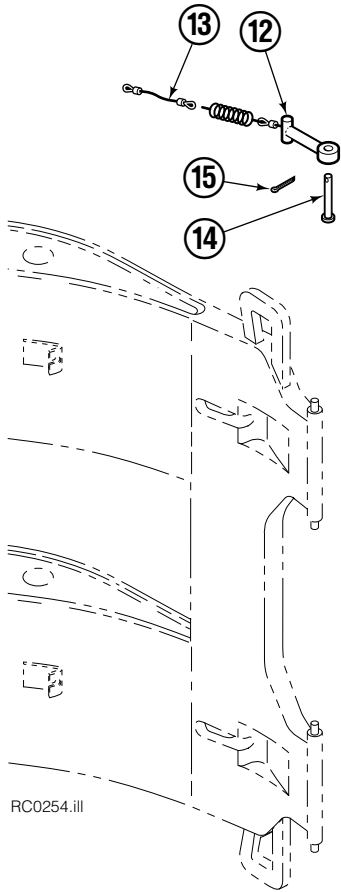
■ Maximum roll handling capacity.

## Common Parts

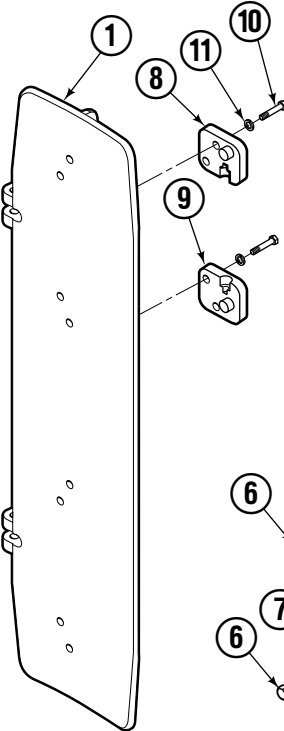
REF	QTY	PART NO.	DESCRIPTION	REF	QTY	PART NO.	DESCRIPTION
		212935	Common Parts Group – Short Arm	9	8	681473	Lockwasher, M12
6	2	209904	Retainer, R.H. ▲	10	2	209909	Link
7	2	209905	Retainer, L.H. ▲	11	2	674265	Clevis Pin
8	8	763021	Capscrew, M12	12	2	6525	Cotter Pin

▲ Driver's view, clamp in horizontal position, Short Arm up.  
Reference: S-4176, S-4177.

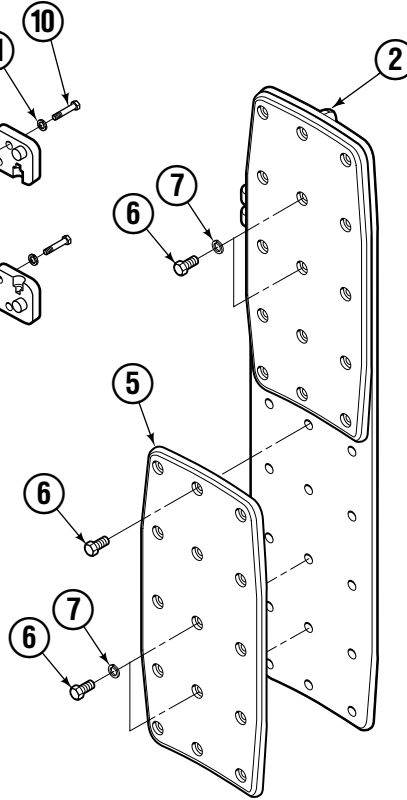
# Pad Groups – Long Arm



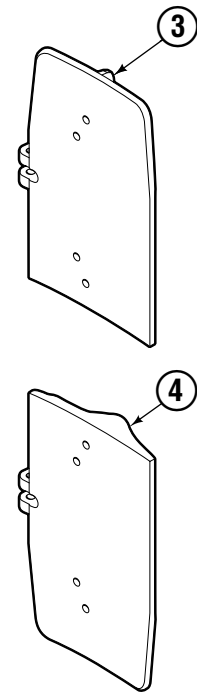
## Standard



## Bolt-On Rubber



## Split



60G			
REF	QTY	84 in. ■	DESCRIPTION
		PART NO.	
		390875	Bolt-On Rubber Pad Group
2	1	390491	Pad, Bolt-On Rubber
5	2	209921	Bolt-On Rubber
6	30	213543	Capscrew, M8
7	8	686119	Lockwasher, M8

■ Maximum roll handling capacity.

▲ Driver's view, clamp in horizontal position, Long Arm up.

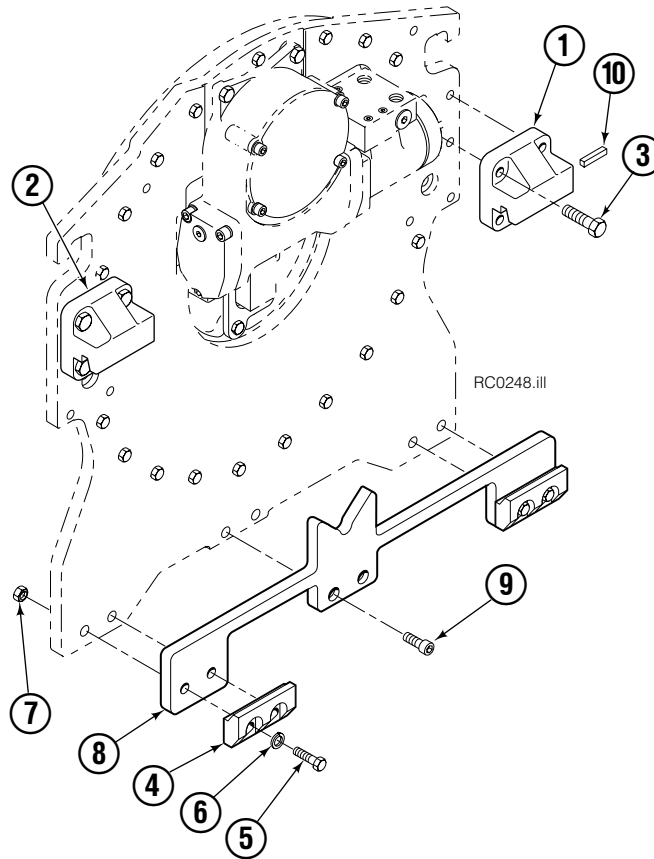
## Common Parts

REF	QTY	PART NO.	DESCRIPTION	REF	QTY	PART NO.	DESCRIPTION
		212934	Common Parts Group – Long Arm		2	4182-40	Cable – 51 in. ■
8	2	211997	Retainer, R.H. ▲	13	2	4182-110	Cable – 60 in. ■
9	2	211998	Retainer, L.H. ▲		2	4182-245	Cable – 72 in. ■
10	8	763021	Capscrew, M12		14	2	674265
11	8	681473	Lockwasher, M12	15	2	6525	Cotter Pin
12	2	209916	Link Assembly				

▲ Driver's view, clamp in horizontal position, Long Arm up.

Reference: S-4176, S-4177.

# Mounting Group



## Class III, 0°

REF	QTY	PART NO.	DESCRIPTION
		209927	Mounting Group
1	1	209932	Upper Hook – RH
2	1	209933	Upper Hook – LH
3	8	779010	Capscrew, M16 x 35
4	2	675969	Lower Hook
5	4	210005	Capscrew, M16 x 90
6	4	667225	Washer, .625
7	4	781534	Nut, M16
8	1	209937	Spacer
9	2	788377	Capscrew, M12 x 45
10	1	669344	Stop Kit

**Do you have questions you need answered right now?** Call your nearest Cascade Parts Department.

**Cascade Corporation**  
2501 Sheridan Avenue  
Springfield, OH 45505  
Tel: 888-CASCADE (227-2233)  
FAX: 888-329-0234  
www.cascorp.com

**Cascade Canada Inc.**  
5570 Timberlea Blvd.  
Mississauga, Ontario  
Canada L4W-4M6  
Tel: 905-629-7777  
FAX: 905-629-7785

**Cascade GmbH**  
D-41199 Monchengladbach  
Klosterhofweg 52  
Germany  
Tel: 21-66-602091  
FAX: 21-66-680947

**Cascade Finland**  
01370 Vantas  
Finland  
Tel: 358-0-836-1925  
FAX: 358-0-836-1935

**Cascade N.V.  
European Headquarters**  
P.O. Box 3009  
1300 El Almere  
Damsluisweg 56  
1332 ED Almere  
The Netherlands  
Tel: 31-36-5492911  
FAX: 31-36-5492964

**Cascade N.V.  
Benelux Sales and Service**  
P.O. Box 3009  
1300 El Almere  
Damsluisweg 56  
1332 ED Almere  
The Netherlands  
Tel: 31-36-5492950  
FAX: 31-36-5492974

**Cascade (UK) Ltd.**  
15, Orgreave Crescent  
Dore House Industrial Estate  
Handsworth  
Sheffield S13 9NQ  
England  
Tel: 742-697524  
FAX: 742-695121

**Cascade Scandinavia  
Hydraulik A.B.**  
Muskötgatan 19, E8-9  
S25466 Helsingborg  
Sweden  
Tel: 42-151135  
FAX: 42-152997

**Cascade Norway**  
Østerliveien 37A  
1153 Oslo  
Norway  
Tel: 47-22-743160  
FAX: 47-22-743157

**Cascade France S.A.R.L.**  
11, Rue Jean Charcot  
Zone Industrielle Sud or  
B.P. 22  
91421 Morangis Cedex  
France  
Tel: 1- 64547501  
FAX: 1-9790584

**Cascade Hispania S.A.**  
Avenida De La Fabregada, 7  
Hospitalet De Llobregat  
Barcelona  
Spain  
Tel: 3-335-5158  
FAX: 3-335-4756

**Cascade Japan Ltd.**  
5-5-41,  
Torikai Kami  
Settsu, Osaka  
Japan, 566  
Tel: 81-726-53-3490  
FAX: 81-726-53-3497

**Cascade Korea**  
Room 508, Pum Yang Bldg.  
750-14, Bang Bac-Dong  
Se-Cho Ku, Seoul  
Korea  
Tel: 2599-7131 ext. 512  
FAX: 2533-8089

**HYCO-Cascade Pty. Ltd.**  
1445 Ipswich Road  
Rocklea,  
Queensland 4107  
Australia  
Tel: 3-274-2722  
FAX: 3-274-3456

**HYCO-Cascade (NZ) Ltd.**  
15 Ra Ora Drive, East Tamaki  
P.O. Box 38-440  
Howick, Auckland  
New Zealand  
Tel: 9-273-9136  
FAX: 9-273-9137

**Cascade (Africa) Pty. Ltd.**  
P.O. Box 625, Isando 1600  
60A Steel Road  
Sparton, Kempton Park  
South Africa  
Tel: 975-9240  
FAX: 394-1147

**Cascade-Xiamen**  
Wanshan No. 1 Workshop  
Huli Road  
Xiamen 361006  
Fujian, PRC  
Tel: 592-562-4600  
FAX: 592-562-4671

**Cascade (Singapore)  
Trading Co.**  
Four Seasons Park  
Autumn Block - Apt. 1802  
12 Cascaden Walk  
Singapore  
Tel: 65-834-1935  
FAX: 65-834-1936

