



Parts Manual

Model Single-Double Pallet Handler

Serial Number 55E-FDS-1396

cascade[®]
corporation

For Technical Assistance call: 800-227-2233, Fax: 888-329-8207

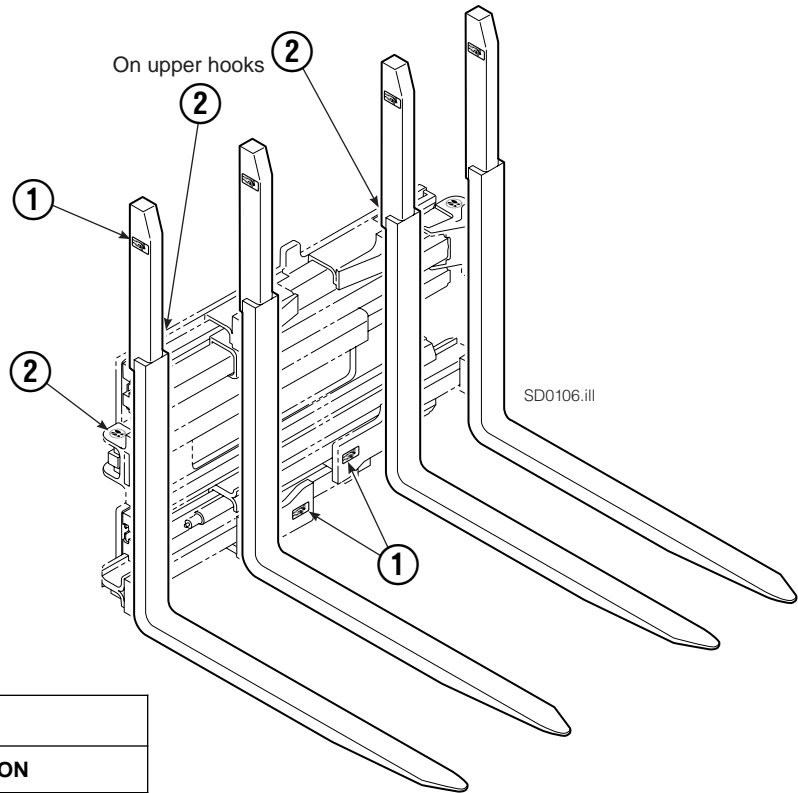
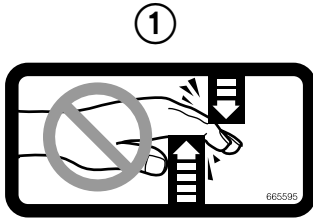
To Order Parts call: 888-227-2233, Fax: 888-329-0234

OR

Write: Cascade Corporation, P.O. Box 20187, Portland, OR 97220

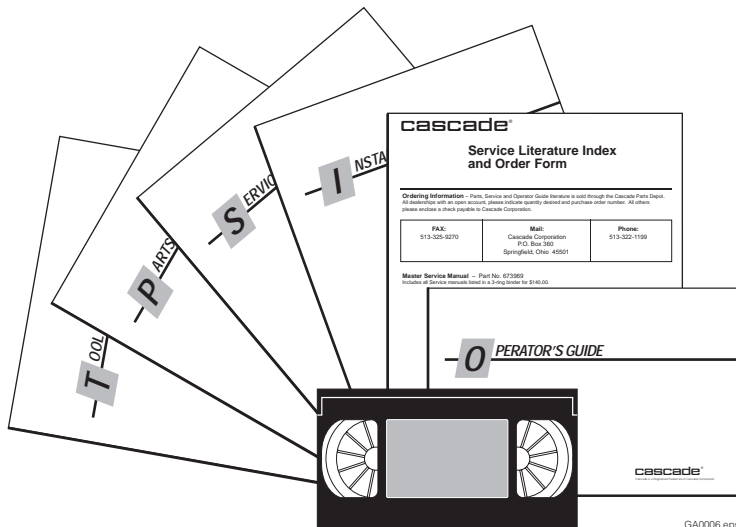
Internet: www.cascorp.com

Decals



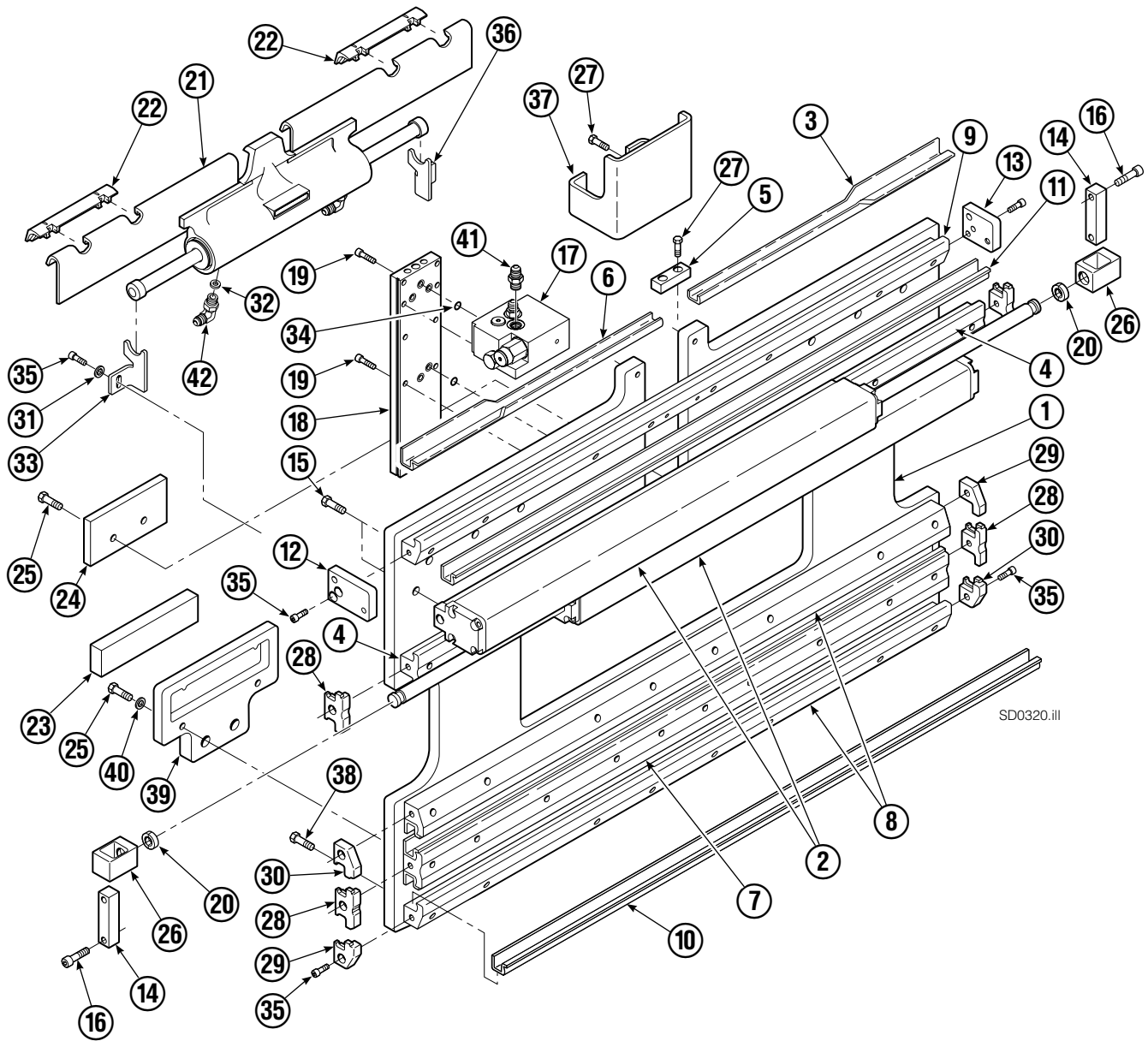
55E			
REF	QTY	PART NO.	DESCRIPTION
1	6	665595	No Hand Hold Decal
2	4	679150	No Step Decal

Publications



55E	
PART NO.	DESCRIPTION
214269	Parts Manual
213580	Operator's Guide
213372	Installation Instructions
679929	Tool Catalog
673964	Literature Index Order Form

Base Unit Group – ITA Class III



Base Unit Group – ITA Class III

55E			
REF	QTY	PART NO.	DESCRIPTION
		6110668	Base Unit Group – Class II
1	1	3003738	Baseplate
2	2	214624	Frame Cylinder ★
3	1	4786-0413	Bearing Segment – LH
4	2	214629	T-Bar – Upper
5	1	212724	Fork Stop
6	1	4787-0413	Bearing Segment – RH
7	1	214631	T-Bar – Lower
8	2	214633	T-Bar – Lower
9	1	214635	T-Bar – Upper
10	4	4730-1040	Bearing Segment
11	4	4730-1050	Bearing Segment

★ See Frame Cylinder page for parts breakdown.

Reference: S-20006.

Common Parts

REF	QTY	PART NO.	DESCRIPTION	REF	QTY	PART NO.	DESCRIPTION
		6110804	Common Parts Group	27	4	684649	Capscrew, M10 x 25
12	1	211380	Retainer/Stop – RH	28	4	210140	Bearing Retainer
13	1	211379	Retainer/Stop – LH	29	2	212585	Bearing Retainer
14	2	210489	Rod End Anchor ■	30	2	212586	Bearing Retainer
15	22	211689	Capscrew, M12 x 30	31	2	787398	Washer
16	4	768303	Capscrew, M10 x 35 ■	32	2	564226	Restrictor Washer
17	1	216838	Valve Assembly ▲	33	1	213737	Bracket – RH
18	1	211456	Manifold	34	7	214053	O-Ring
19	10	768208	Capscrew, M8 x 25	35	12	787375	Capscrew, M8 x 20 GR 8.8
20	4	210490	Retainer Half Ring ■	36	1	213736	Bracket – LH
21	1	6105189	Sideshift Cylinder ●	37	1	6007050	Valve Guard
22	2	672018	Upper Bearing	38	30	214487	Capscrew, M12 x 40
23	2	208350	Lower Bearing	39	2	215226	Hanger
24	2	212709	Spacer Block	40	4	787383	Lockwasher, M10
25	8	767615	Capscrew, M10 x 25	41	2	604511	Fitting, 6-6 ◆
26	2	209741	Rod End ■	42	2	601676	Fitting, 6-6 ◆

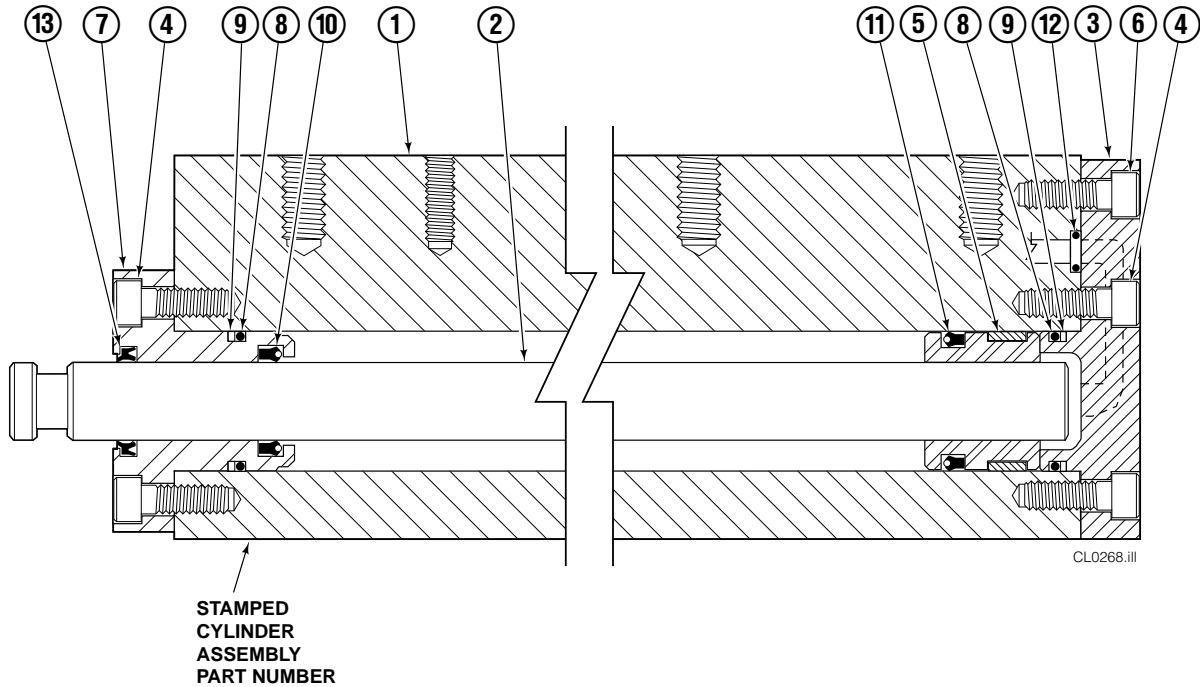
▲ See Valve Assembly page for parts breakdown.

■ Included in Cylinder Rod Anchor Kit 213856.

● See Sideshift Cylinder page for parts breakdown.

◆ Included in Fitting Group 213099.

Frame Cylinder



55E			
REF	QTY	PART NO.	DESCRIPTION
		214624	Cylinder Assembly
1	1	214623	Cylinder/Shell
2	1	4157-880	Rod
3	1	213783	End Cap
4	8	768208	Capscrew, M8 x 25
5	1	209809	▲ Bearing
6	1	787375	Capscrew, M8 x 20
7	1	212452	Retainer
8	3	643379	▲ O-Ring
9	2	210050	▲ Back-Up Ring
10	1	212477	▲ Seal
11	1	209808	▲ Seal
12	2	214053	▲ O-Ring
13	1	562131	▲ Wiper
		210090	Service Kit

▲ Included in Service Kit 210090.

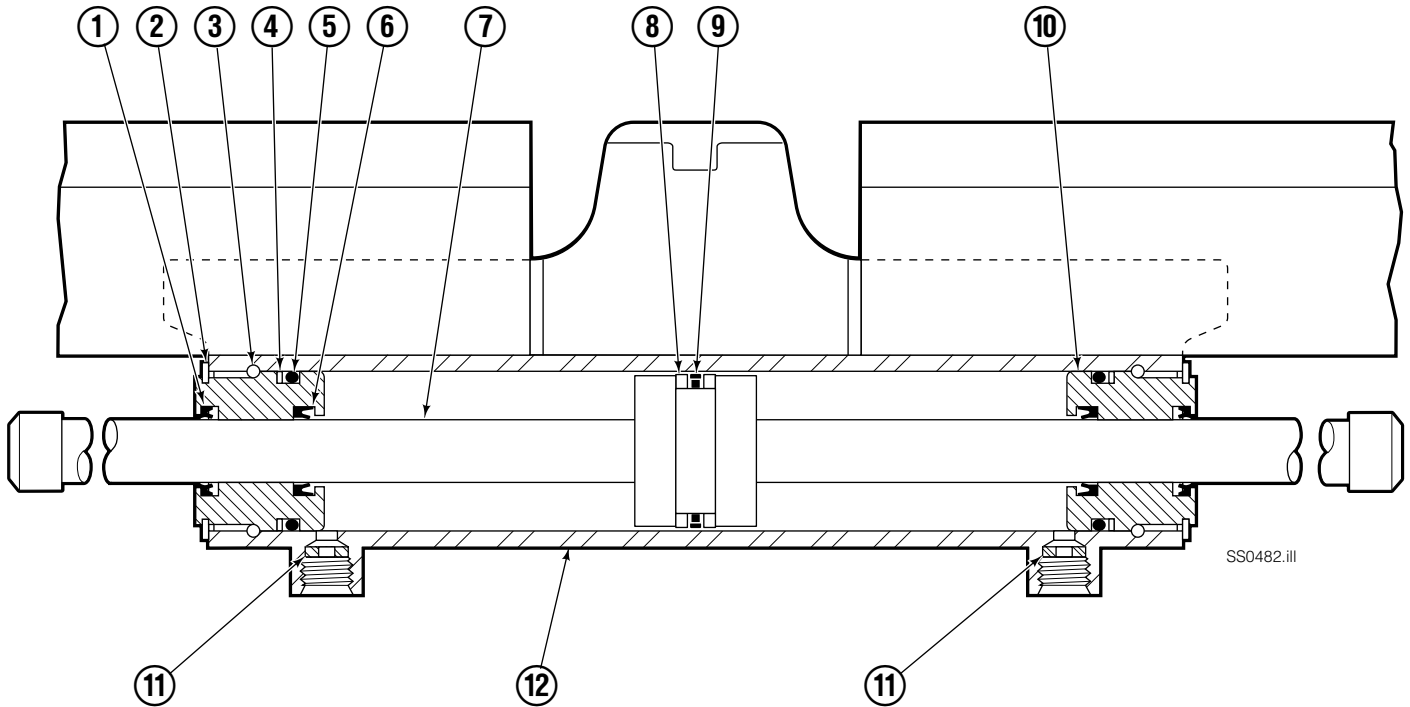
Reference: S-4643, S-4644.

Valve ITA Class III



55E			
REF	QTY	PART NO.	DESCRIPTION
		216838	Valve Assembly
1	1	219039	Check Valve
2	1	—	Service Kit
3	1	609234	Plug
4	1	216839	Valve Body
5	1	213535	Crossover Relief Valve
6	1	682170	Service Kit
7	1	219040	Flow Divider/Combiner
8	1	—	Service Kit

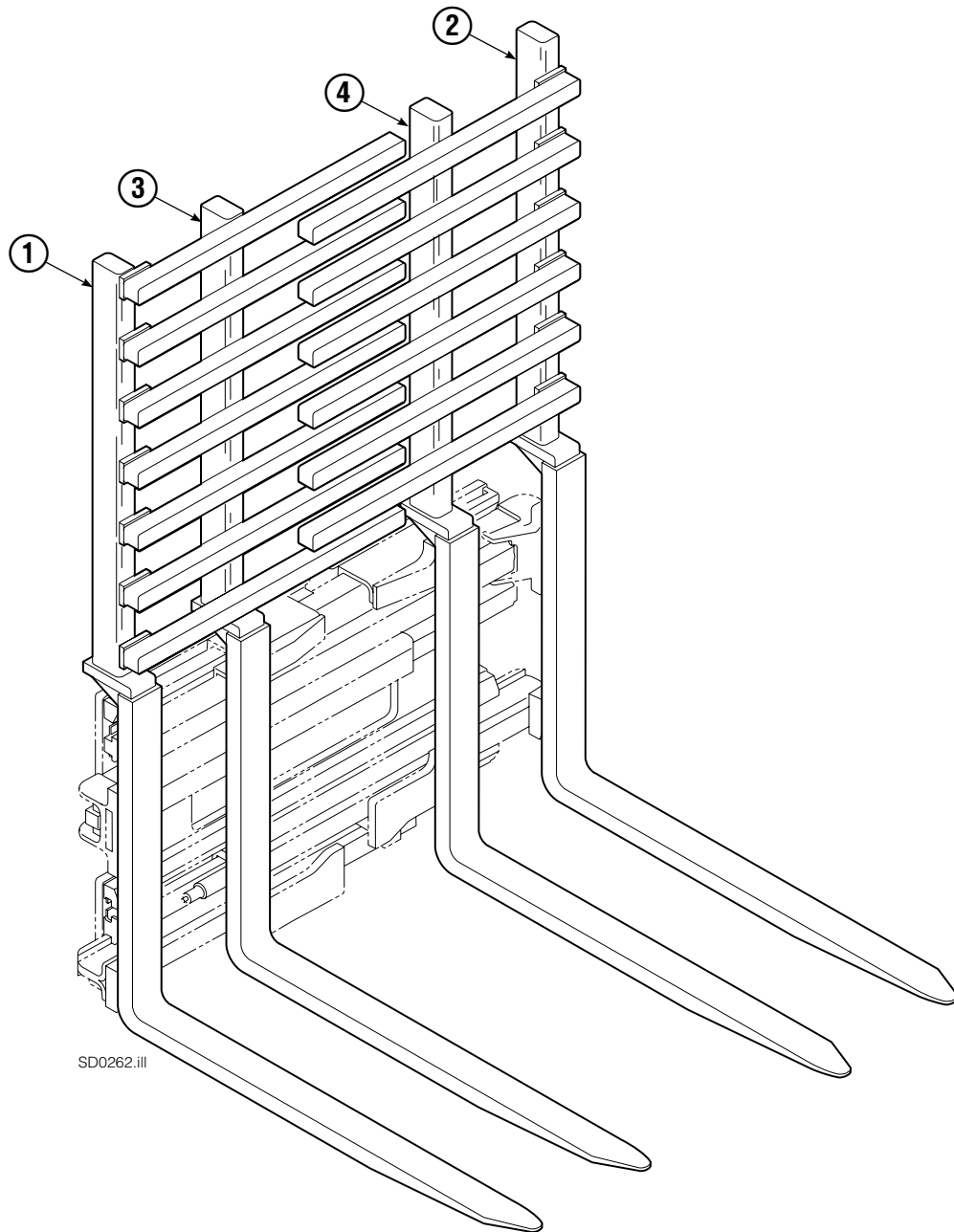
Sideshift Cylinder ITA Class III



55E			
REF	QTY	PART NO.	DESCRIPTION
		6105189	Cylinder Assembly
1	2	562131	● Wiper Seal
2	2	562951	Snap Ring
3	2	562942	Retaining Ring
4	2	563388	● Back-Up Ring
5	2	562127	● O-Ring
6	2	562132	● Rod Seal
7	1	562055	Rod
8	2	563278	● Bearing Ring
9	1	564141	● Piston Seal
10	2	562792	Retainer
11	2	564226	Speed Control Washer
12	1	3001373	Cylinder Shell ■
13	2	208378	● Rod End Cap
		563487	Service Kit

● Included in Service Kit 563487.
 ■ Not serviceable, order new cylinder assembly.
 Reference: S-6105.

Interlocking Backrest/Fork Group

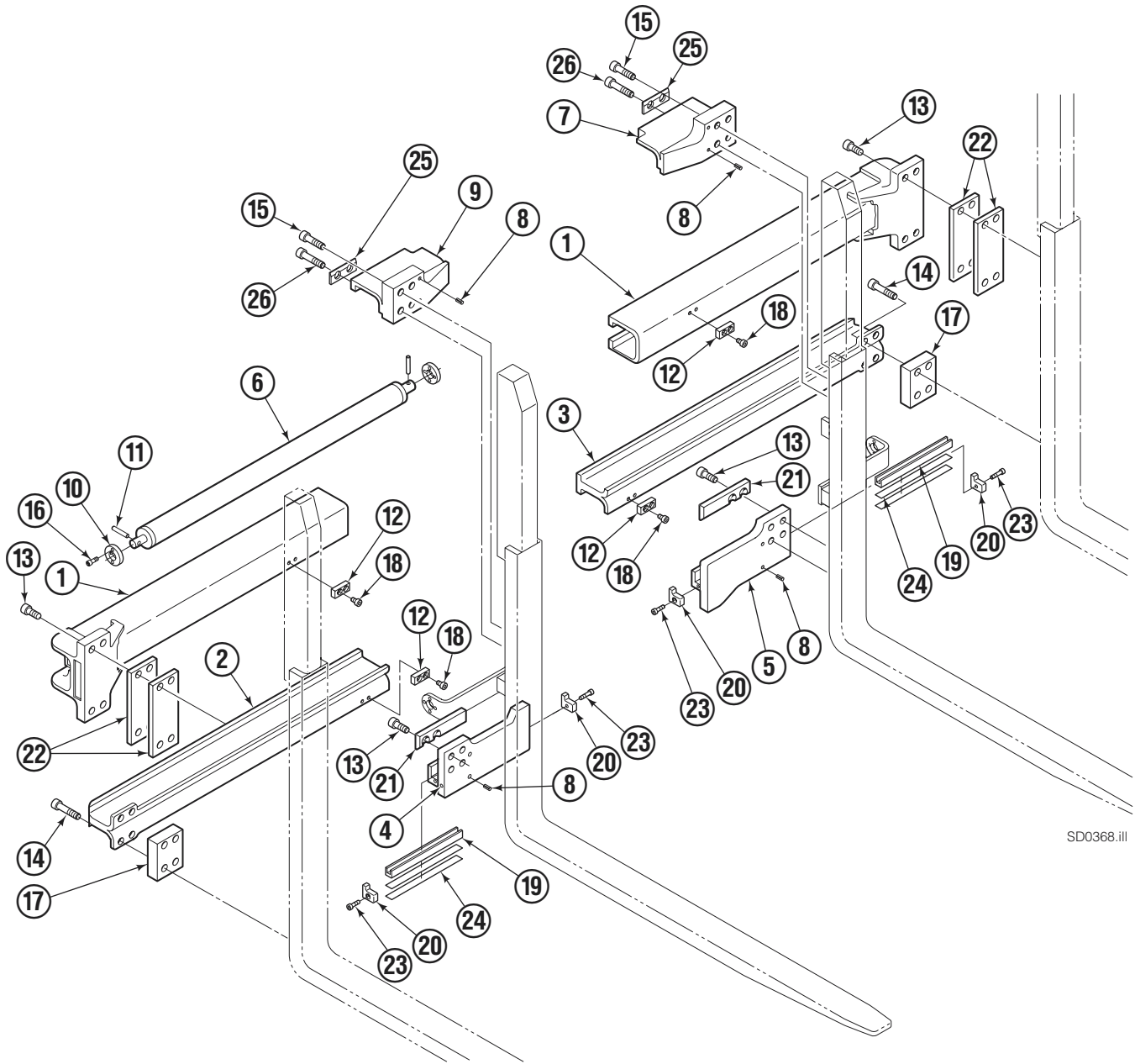


SD0262.ill

REF	QTY	PART NO.	DESCRIPTION
		6112963	Fork Group
1	1	6112965	Outer Fork - RH
2	1	6112964	Outer Fork - LH
3	1	6112967	Inner Fork - RH
4	1	6112966	Inner Fork - LH

Reference: S-28197, S-28198, S-28199, S-28202, S-28203,
S-28204.

Arm Group



SD0368.ill

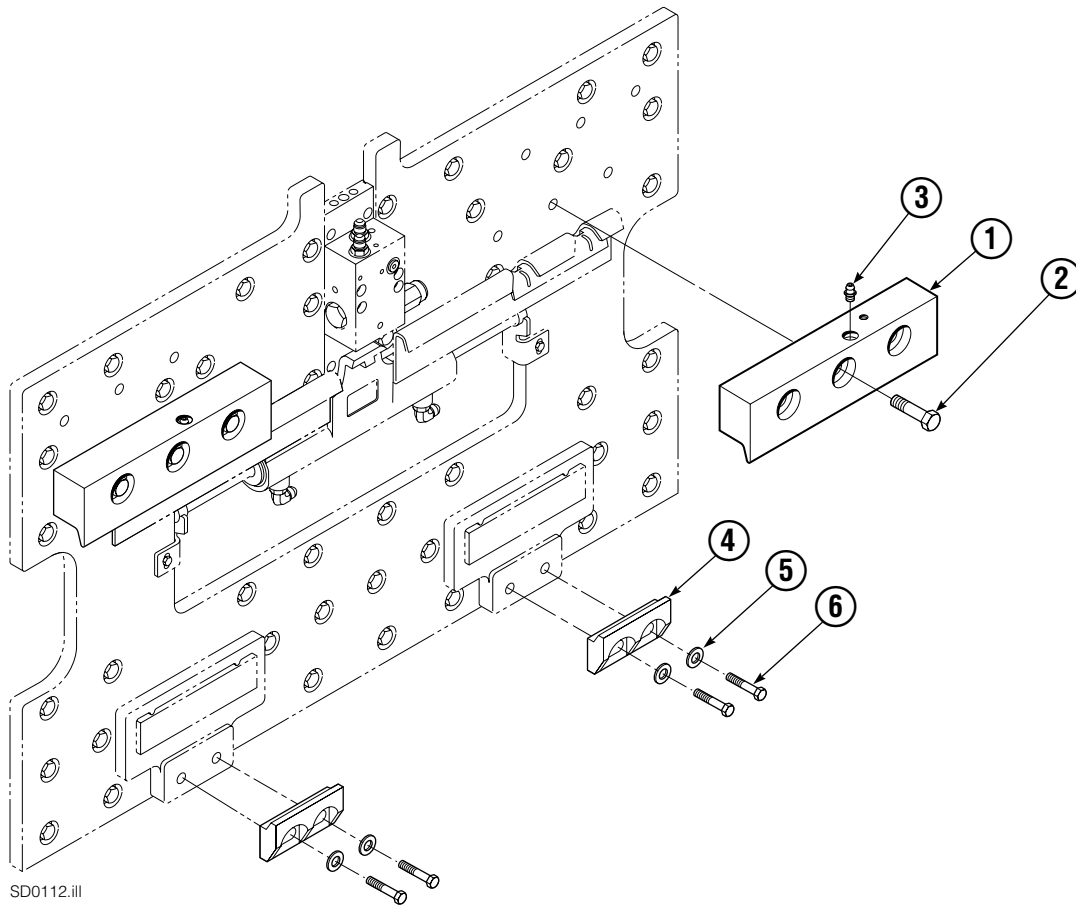
Arm Group

55E			
REF	QTY	PART NO.	DESCRIPTION
		6110660	Arm Group
1	2	220177	Upper Arm Bar
2	1	220217	Lower Arm Bar – RH
3	1	220207	Lower Arm Bar – LH
4	1	6110803	Lower Hook – RH
5	1	6110802	Lower Hook – LH
6	2	6111736	Spring Cylinder
7	1	6110789	Upper Hook – LH
8	8	769014	Roll Pin

REF	QTY	PART NO.	DESCRIPTION	REF	QTY	PART NO.	DESCRIPTION
9	1	6110790	Upper Hook – RH	18	8	214414	Capscrew, M10 x 12
10	2	6003311	Retainer	19	2	4501-0222	Bearing Segment
11	2	6110442	Pin, M6 x 32	20	4	225345	Bearing Retainer
12	4	212687	Fork Stop	21	2	213899	Bearing
13	16	769574	Capscrew, M16 x 35	22	4	797610	Spacer
14	8	769578	Capscrew, M16 x 60	23	4	787375	Capscrew, M8 x 20
15	4	769577	Capscrew, M16 x 50	24	6	212559	Shim, .04 in. (1 mm)
16	4	787375	Capscrew, M8 x 20	25	2	6110402	Bearing Plate
17	2	210587	Spacer	26	4	682073	Capscrew, M16 x 70

Reference: Common Parts Group 6110661.

Mounting Group ITA Class III



55E			
REF	QTY	ITA III PART NO.	DESCRIPTION
		3001382	Upper Hook Group ▲
		211175	Lower Hook Group ★
1	2	219379	Upper Hook
2	6	678996	Capscrew, M16 x 60
3	2	7403	Grease Fitting
4	2	675969	Lower Hook
5	4	667225	Washer
6	4	751511	Capscrew, M16 x 55

▲ Includes items 1, 2, & 3.

★ Includes items 4, 5, & 6.

Reference: SK-6116, Lower Hook Group 391335.

Do you have questions you need answered right now? Call your nearest Cascade Parts Department. Visit us online at www.cascorp.com

Cascade Corporation
2501 Sheridan Avenue
Springfield, OH 45505
Tel: 888-CASCADE (227-2233)
FAX: 888-329-0234

Cascade Canada Inc.
5570 Timberlea Blvd.
Mississauga, Ontario
Canada L4W-4M6
Tel: 905-629-7777
FAX: 905-629-7785

Cascade GmbH
D-41199 Monchengladbach
Klosterhofweg 52
Germany
Tel: 49-216-668230
FAX: 49-216-6682323

Cascade Finland
Albert Petreliuksenkatu 3
01370 Vantaa
Finland
Tel: 358-9-836-1925
FAX: 358-9-836-1935

**Cascade N.V.
European Headquarters**
P.O. Box 3009
1300 El Almere
Damsluisweg 56
1332 ED Almere
The Netherlands
Tel: 31-36-5492911
FAX: 31-36-5492964

**Cascade N.V.
Benelux Sales and Service**
P.O. Box 3009
1300 El Almere
Damsluisweg 56
1332 ED Almere
The Netherlands
Tel: 31-36-5492950
FAX: 31-36-5492974

Cascade (UK) Ltd.
15, Orgreave Crescent
Dore House Industrial Estate
Handsworth
Sheffield S13 9NQ
England
Tel: 742-697524
FAX: 742-695121

Cascade Scandinavia AB
Box 124
Hammarvägen 10
567 23 Vaggeryd
Sweden
Tel: 42-0-393-36950
FAX: 46-0-393-36959

Cascade Norway
Østerliveien 37A
1153 Oslo
Norway
Tel: 47-22-743160
FAX: 47-22-743157

Cascade France S.A.R.L.
1D Rue De Charaintru
BP 18, 91360 Epinay-Sur-Orge
Morangis Cedex, France
Tel: 33-1- 64547500
FAX: 33-1-64547501

Cascade Hispania S.A.
Carrer 5 Sector C
Zona Franca Duanera
Poligono de la Zon Franca
08040 Barcelona, Spain
Office No. 256
Tel: 93-264-07-30
FAX: 93-264-07-31

Cascade Japan Ltd.
5-5-41,
Torikai Kami
Settsu, Osaka
Japan, 566
Tel: 81-726-53-3490
FAX: 81-726-53-3497

Cascade Korea
108B, Namdong Ind Complex
658-3 Gojan-Dong
Namdong-Gu
Inchon, 405-310 Korea
Tel: 82-32-821-2051
FAX: 82-32-821-2055

Cascade Australia
1445 Ipswich Road
Rocklea, QLD 4106
Australia
Tel: 1-800227-223
FAX: (07) 3373-7333

Cascade New Zealand
15 Ra Ora Drive
East Tamaki, Auckland
New Zealand
Tel: 9-273-9136
FAX: 9-273-9137

Cascade (Africa) Pty. Ltd.
P.O. Box 625, Isando 1600
60A Steel Road
Sparton, Kempton Park
South Africa
Tel: 27-11-975-9240
FAX: 27-11-394-1147

Cascade-Xiamen
No. 668 Yangguang Rd.
Xinyang Industrial Zone
Haicang, Xiamen City
Fujian Province
P.R. China 361026
Tel: 86-592-651-2500
FAX: 86-592-651-2571

**Cascade (Singapore)
Trading Co.**
Four Seasons Park
Autumn Block - Apt. 1802
12 Cuscaden Walk
Singapore
Tel: 65-834-1935
FAX: 65-834-1936

