



Parts Manual

Model _____ **Fork Positioner**

Serial Number _____ **100F-FPS-567**

cascade[®]
corporation

For Technical Assistance call: 800-227-2233, Fax: 888-329-8207

To Order Parts call: 888-227-2233, Fax: 888-329-0234

OR

Write: Cascade Corporation, P.O. Box 20187, Portland, OR 97220

Internet: www.cascorp.com

Publications

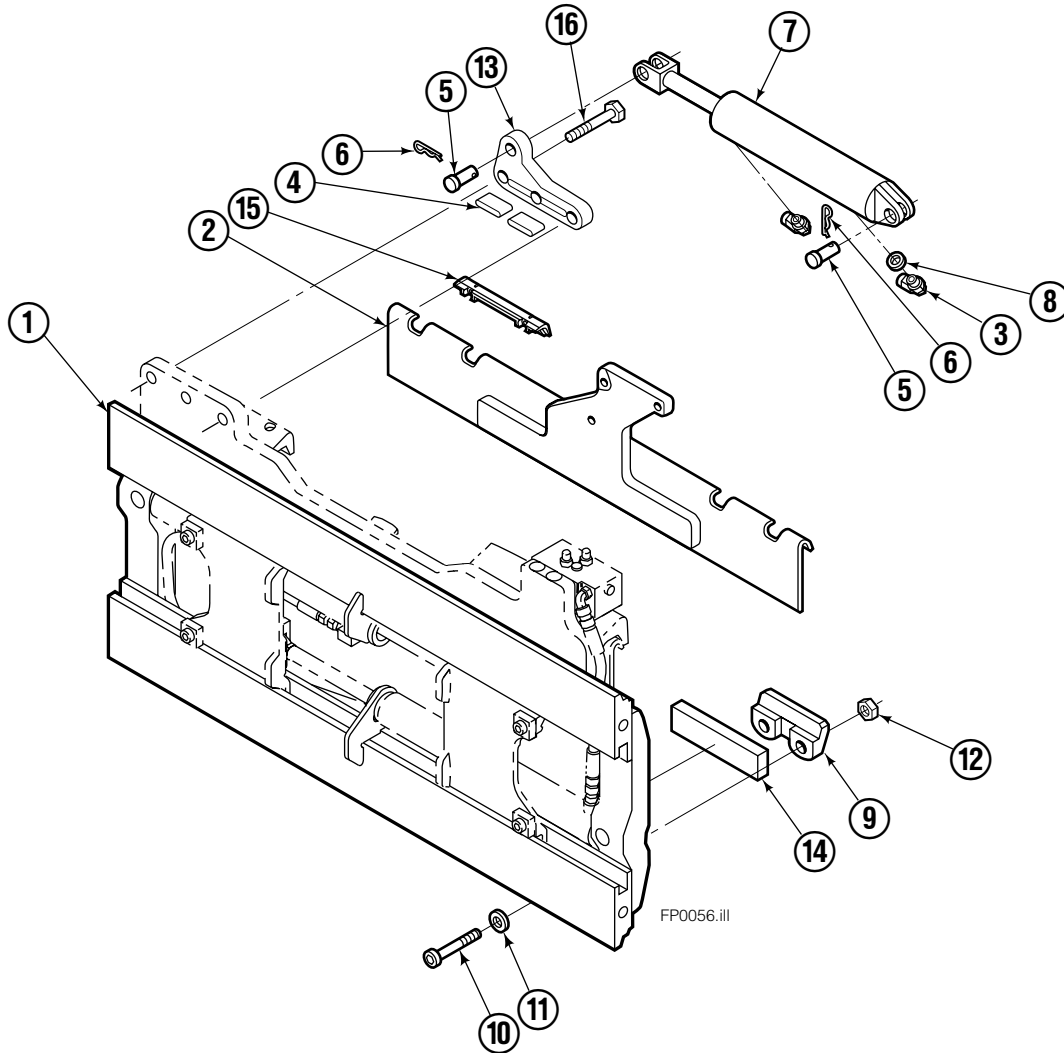


100F	
PART NO.	DESCRIPTION
	Parts Manual
208743	Service Manual
688261	Operators Guide
207363	Installation Instructions
680664	Servicing Cascade Cylinders-VHS
679929	Tool Catalog
673964	Literature Index Order Form

Safety Decals



Mounting Group Sideshifting



Reference:
BC-106
SK-6042
2S-4096

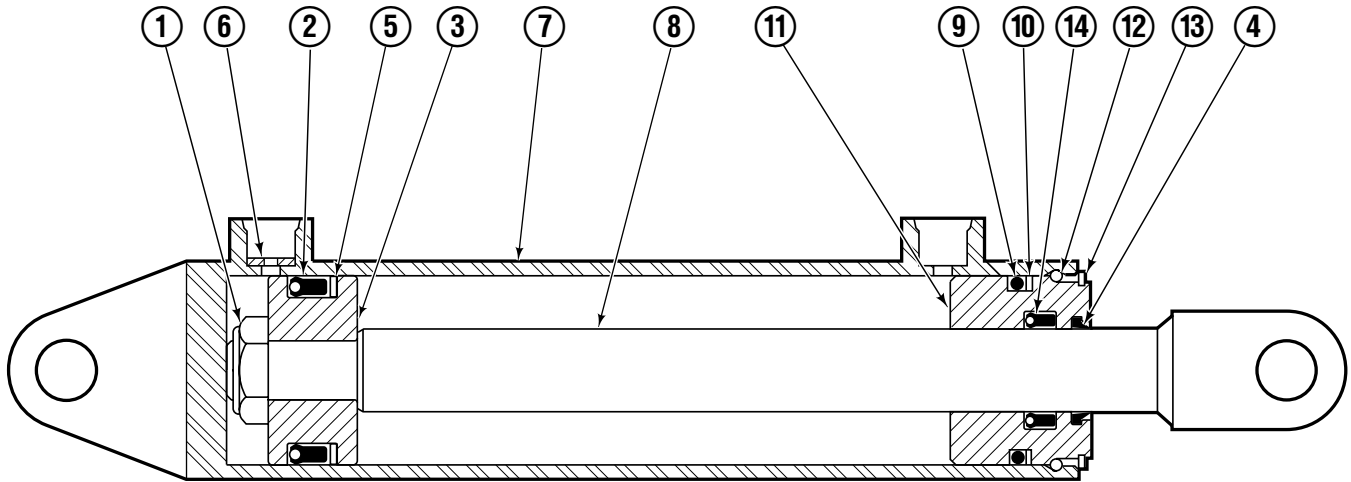
100F							
REF	QTY	PART NO.	DESCRIPTION	REF	QTY	PART NO.	DESCRIPTION
		209450●	Sideshifting Mounting-41" ■	9	2	204186	Lower Hook
1	1	209384	Frame-41" ■	10	4	766154	Capscrew, M16x2,0x40-8.8
2	1	209393	Anchor Bracket-41" ■	11	4	667225	Washer
3	2	601676	Fitting, 6-6	12	4	678990	Nut
4	2	209542	Key, M10x8x63	13	1	209309	Lug
5	2	678528	Clevis Pin	14	2	208350	Lower Bearing
6	2	672726	Hairpin Cotter	15	2	672018	Upper Bearing
◆7	1	676649	Cylinder Assembly	16	3	752907	Capscrew, M20x50 Lg-8.8
8	1	675550	Washer (orifice .085)				

■ Carriage width.

● Includes items 2 through 16.

◆ See Cylinder page for parts breakdown.

Sideshift Cylinder

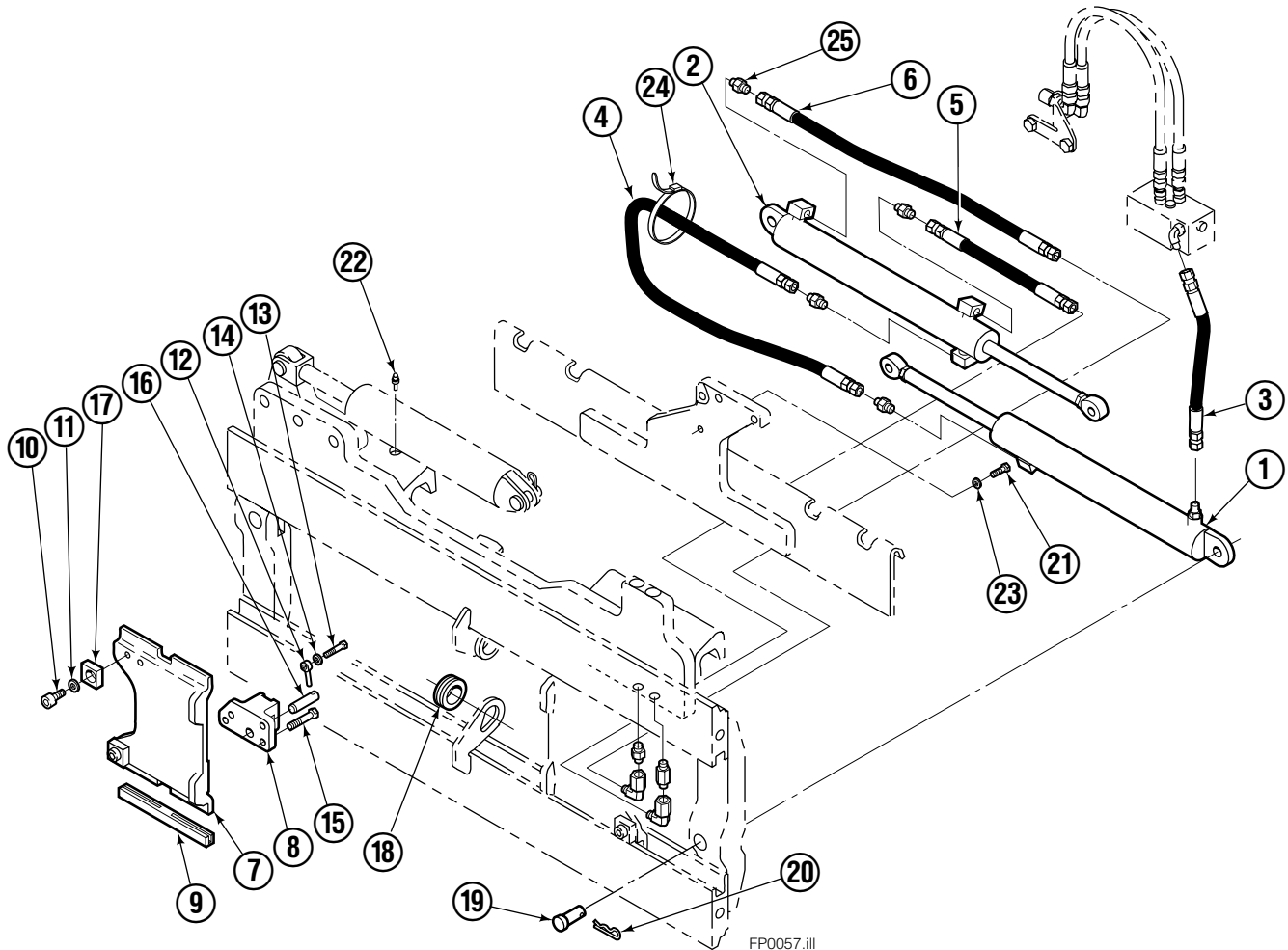


FP0029.ill

REF	QTY	PART NO.	DESCRIPTION
		676649	Cylinder Assembly
1	1	553717	Nut
■ 2	1	662456	Seal
3	1	553527	Piston
■ 4	1	636852	Wiper
■ 5	1	649817	Back-up Ring
6	1	675550	Washer (orifice .085)
7	1	676776	Shell
8	1	553530	Rod
■ 9	1	2789	O-Ring
■ 10	1	615132	Back-up Ring
11	1	553528	Retainer
12	1	553688	Retaining Ring
13	1	7211	Snap Ring
■ 14	1	662447	Seal
		553866	Service Kit

■ Included in Service Kit 553866.

Hydraulic/Fork Group



Reference:
BC-106
SK-6042

100F

REF	QTY	PART NO.	DESCRIPTION	REF	QTY	PART NO.	DESCRIPTION
		●209464	Hydraulic Group – 41 in. ■	13	2	763169	Capscrew
		□209502	Fork Group	14	2	680217	Lockwasher
◆1	1	209486	Cylinder Assembly L.H. – 41 in. ■	15	8	681370	Capscrew
▼2	1	209493	Cylinder Assembly R.H. – 41 in. ■	16	2	209308	Pin
3	1	209514	Hose – 41 in. ■	17	4	209306	Block
4	1	209521	Hose – 41 in. ■	18	2	209305	Grommet
5	1	209528	Hose	19	2	661675	Clevis Pin
6	1	209529	Hose – 41 in. ■	20	2	672726	Hairpin Cotter
7	2	209391	Fork Carrier	21	1	763022	Capscrew
8	2	209280	Lug	22	2	7403	Grease Fitting
9	4	209303	Bearing	23	1	681238	Lockwasher
10	4	768838	Capscrew	24	1	200008	Cable Tie
11	4	678992	Lockwasher	25	5	604511	Fitting, 6-6
12	2	206923	Eyebolt				

■ Carriage width.

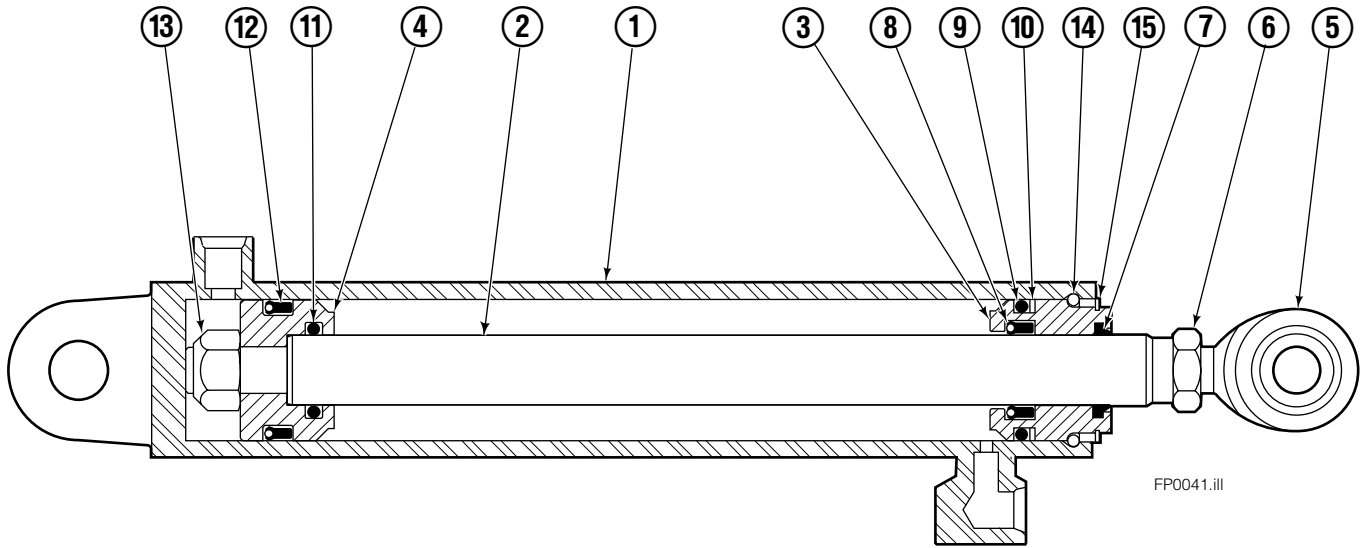
◆ See L.H. Cylinder page for parts breakdown.

▼ See R.H. Cylinder for parts breakdown.

● Includes items 1 through 6.

□ Includes items 7 through 25.

Left Hand Cylinder



FP0041.iii

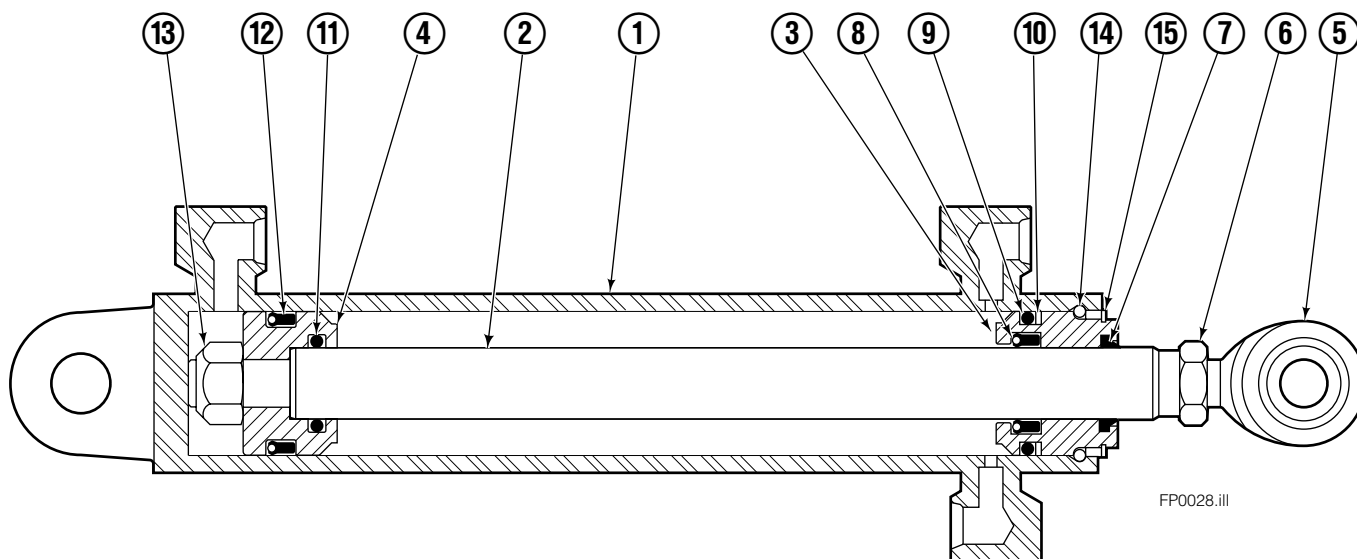
100F

REF	QTY	PART NO.	DESCRIPTION
		209486	Cylinder Assembly – 41 in. ■
1	1	564486	Shell – 41 in. ■
2	1	564493	Rod – 41 in. ■
3	1	564451	Retainer
4	1	562056	Piston
5	1	564452	Rod End
6	1	5721	Nut
7	1	564408	● Rod Wiper
8	1	564406	● Rod Seal
9	1	562127	● O-Ring
10	1	563388	● Back-up Ring
11	1	563278	● O-Ring
12	1	564141	● Piston Seal
13	1	678019	Piston Nut
14	1	562942	Retaining Ring
15	1	562951	Snap Ring
		564453	Service Kit

■ Carriage width.

● Included in Service Kit 564453.

Right Hand Cylinder



100F

REF	QTY	PART NO.	DESCRIPTION
		209493	Cylinder Assembly – 41 in. ■
1	1	564500	Shell – 41 in. ■
2	1	564493	Rod – 41 in. ■
3	1	564451	Retainer
4	1	562056	Piston
5	1	564452	Rod End
6	1	5721	Nut
7	1	564408	● Rod Wiper
8	1	564406	● Rod Seal
9	1	562127	● O-Ring
10	1	563388	● Back-up Ring
11	1	563278	● O-Ring
12	1	564141	● Piston Seal
13	1	678019	Piston Nut
14	1	562942	Retaining Ring
15	1	562951	Snap Ring
		564453	Service Kit

■ Carriage width.

● Included in Service Kit 564453.

Flow Divider Group

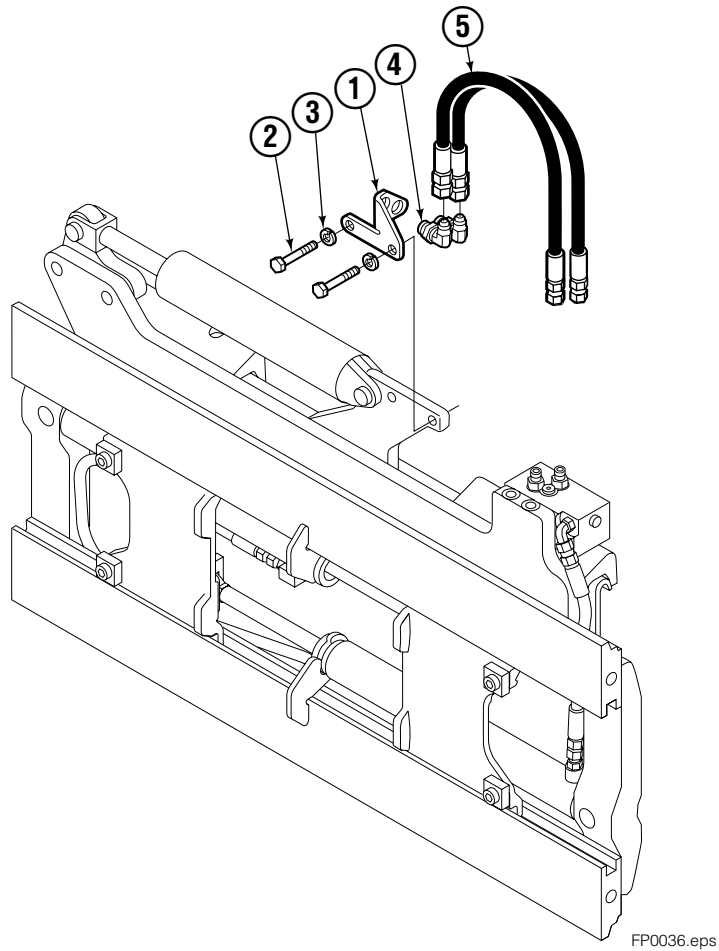


FP0035.iii

100F			
REF	QTY	PART NO.	DESCRIPTION
		209504	Flow Divider Group
1	1	209310	Valve ■
2	1	209311	Valve Body
3	1	201527	Cartridge-Combiner
4	2	663694	Fitting, 3
5	2	604511	Fitting, 6-6
6	1	601676	Fitting, 6-6
7	1	679992	Service Kit
8	3	685105	Capscrew
9	3	678993	Lockwasher
10	2	207300	O-Ring
11	1	604511	Fitting, 6-6
12	2	2680	Fitting, 6-6
13	2	604510	Fitting, 6
14	1	605743	Fitting, 6-6

■ Includes items 1 through 7.

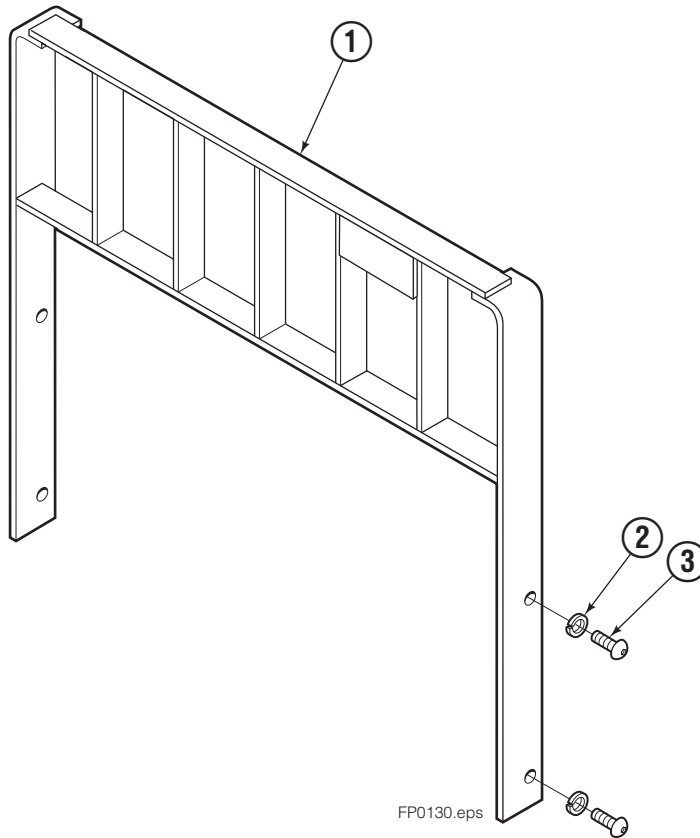
Standard Installation Group



FP0036.eps

100F			
REF	QTY	PART NO.	DESCRIPTION
		209506	Installation Group
1	1	207314	Bracket
2	2	762899	Capscrew, M10X20-8.8
3	2	681238	Lockwasher
4	2	2453	Fitting, 8-8
5	2	207425	Hose

Backrest



REF	QTY	PART NO.	DESCRIPTION
		381622	Backrest Group
1	1	381620	Backrest
2	4	684586	Washer
3	4	200173	Capscrew

Do you have questions you need answered right now? Call your nearest Cascade Parts Department. Visit us online at www.cascorp.com

AMERICAS

**Cascade Corporation
Parts Sales**
2501 Sheridan Ave.
Springfield, OH 45505
Tel: 888-CASCADE (227-2233)
Fax: 888-329-0234

Cascade Canada Inc.
5570 Timberlea Blvd.
Mississauga, Ontario
Canada L4W-4M6
Tel: 905-629-7777
Fax: 905-629-7785

Cascade do Brasil
Rua João Guerra, 134
Macuco, Santos - SP
Brasil 11015-130
Tel: 55-13-2105-8800
Fax: 55-13-2105-8899

EUROPE-AFRICA

**Cascade Italia S.R.L.
European Headquarters**
Via Dell'Artigianato 1
37050 Vago di Lavagno (VR)
Italy
Tel: 39-045-8989111
Fax: 39-045-8989160

Cascade (Africa) Pty. Ltd.
PO Box 625, Isando 1600
60A Steel Road
Sparton, Kempton Park
South Africa
Tel: 27-11-975-9240
Fax: 27-11-394-1147

ASIA-PACIFIC

Cascade Japan Ltd.
2-23, 2-Chome,
Kukuchi Nishimachi
Amagasaki, Hyogo
Japan, 661-0978
Tel: 81-6-6420-9771
Fax: 81-6-6420-9777

Cascade Korea
121B 9L Namdong Ind.
Complex, 691-8 Gojan-Dong
Namdong-Ku
Inchon, Korea
Tel: +82-32-821-2051
Fax: +82-32-821-2055

Cascade-Xiamen
No. 668 Yangguang Rd.
Xinyang Industrial Zone
Haicang, Xiamen City
Fujian Province
P.R. China 361026
Tel: 86-592-651-2500
Fax: 86-592-651-2571

**Cascade India Material
Handling Private Limited**
No 34, Global Trade Centre
1/1 Rambaugh Colony
Lal Bahadur Shastri Road,
Navi Peth, Pune 411 030
(Maharashtra) India
Phone: +91 020 2432 5490
Fax: +91 020 2433 0881

Cascade Australia Pty. Ltd.
1445 Ipswich Road
Rocklea, QLD 4107
Australia
Tel: 1-800-227-223
Fax: +61 7 3373-7333

Cascade New Zealand
15 Ra Ora Drive
East Tamaki, Auckland
New Zealand
Tel: +64-9-273-9136
Fax: +64-9-273-9137

**Sunstream Industries
Pte. Ltd.**
18 Tuas South Street 5
Singapore 637796
Tel: +65-6795-7555
Fax: +65-6863-1368

