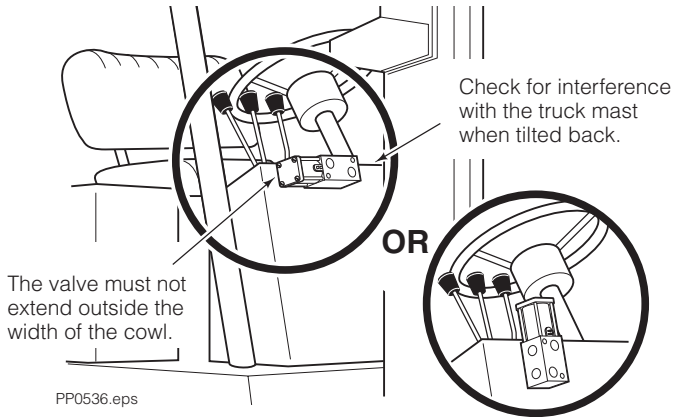




Installation Instructions

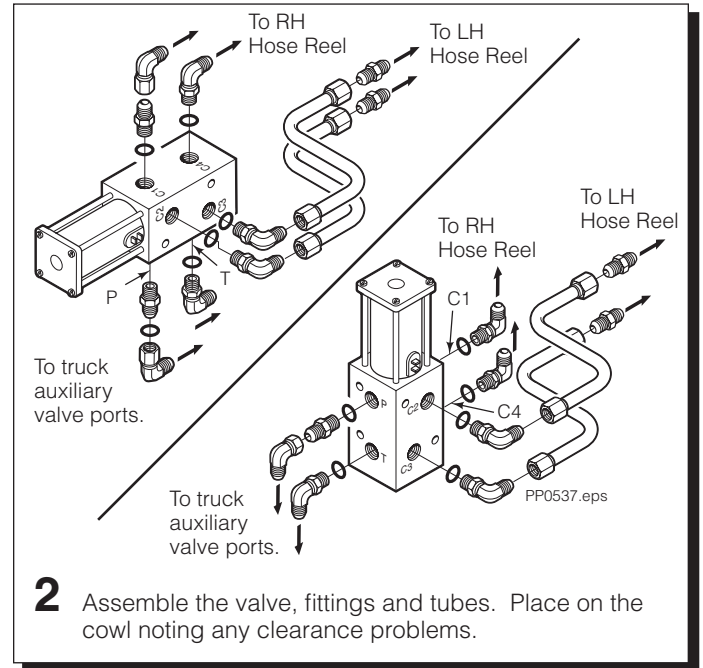
QFM™ Load Push/Pull Solenoid Adaption Kits
206849 (12V), 206850 (24V),
206851 (36V), 206852 (48V),
6041076 (72V), 6041077 (80V).

This sheet describes the installation of Solenoid Adaption Kits. Each kit converts a three function hydraulic auxiliary control valve to a four function control valve. Refer to Form 673835 for Hose Reel Assembly installation.



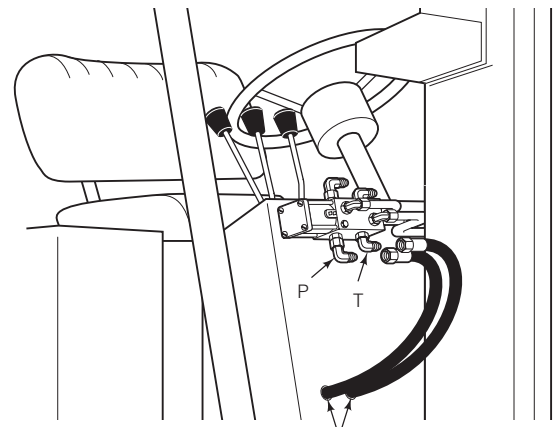
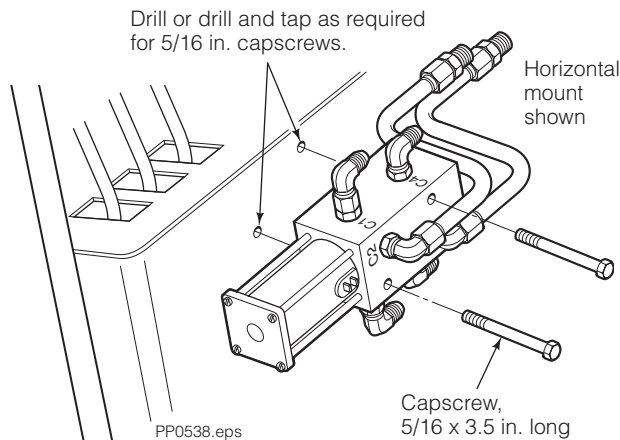
PP0536.eps

- 1** Determine an approximate mounting location for the solenoid valve on the truck cowl. The valve can be mounted horizontal or vertical. The valve must not extend outside the width of the cowl or interfere with the truck mast when tilted back.



- 2** Assemble the valve, fittings and tubes. Place on the cowl noting any clearance problems.

- 3** Mark mounting hole locations on the cowl. Drill or drill and tap as required for the 5/16-18 NC bolts. Mount the valve to the cowl.



Install hoses from solenoid valve to truck valve ports.

- 4** Measure and assemble the hoses provided to run from the solenoid valve **P** and **T** ports to the truck valve ports. Install hoses.

cascade®
corporation

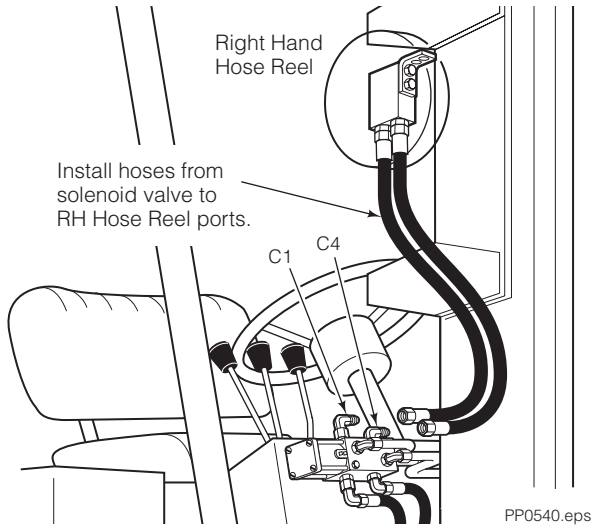
For Technical Support . . .

Call: 1-800-227-2233 Fax: 1-888-329-8207
 Internet: www.cascorp.com
 Write: Cascade Corporation, PO Box 20187, Portland, OR 97294

To Order Parts . . .

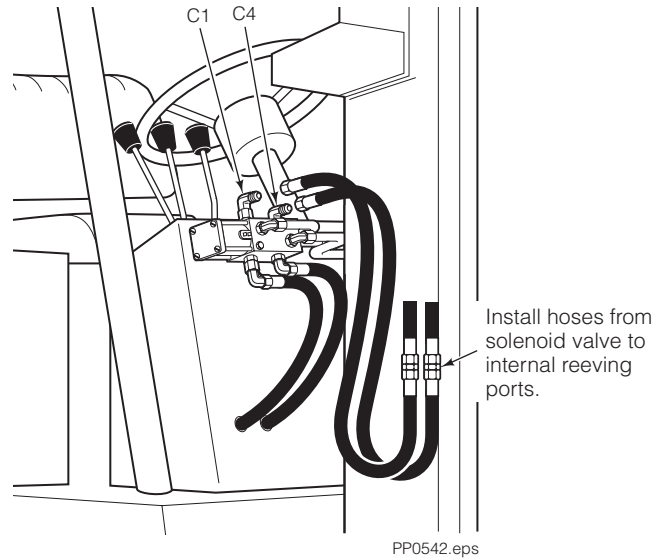
Call: 1-888-227-2233 Fax: 1-888-329-0234
 Internet: www.cascorp.com
 Write: Cascade Corporation, 2501 Sheridan Ave., Springfield, OH 45505

Installation with Hose Reel



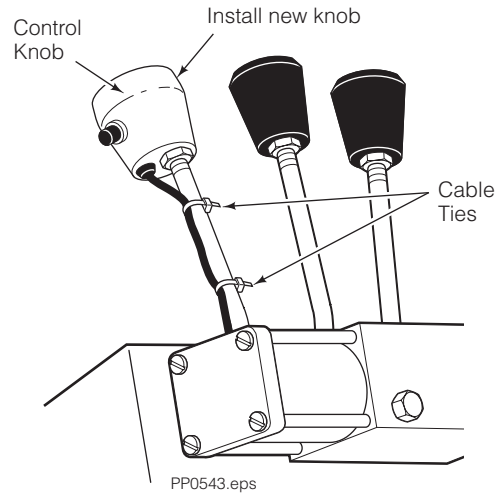
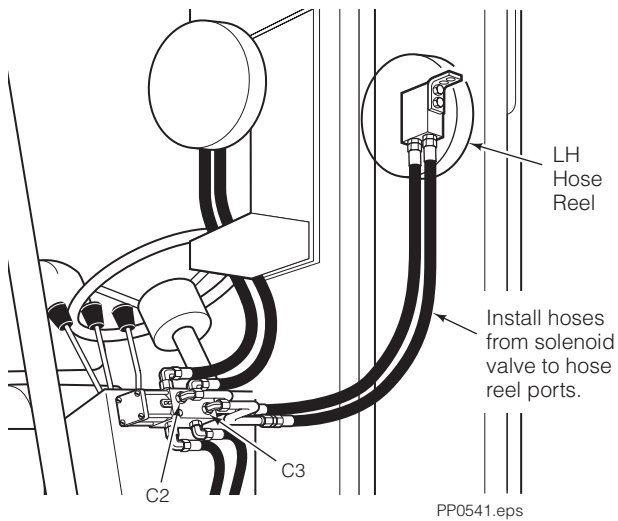
Installation with Internal Reaving

OR



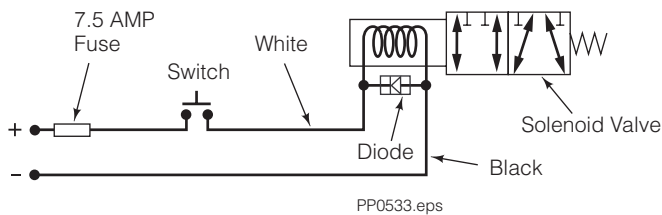
- 5** Measure and assemble two hoses (user supplied) to run from the valve **C1** and **C4** ports to the hose reel ports or internal reaving fittings.

- 6** Measure and assemble two hoses (user supplied) to run from the valve **C2** and **C3** ports to the attachment hose reel ports. Install hoses.



- 7** Remove the existing control knob from the auxiliary valve handle. Install the new knob using the adapter provided.

CAUTION: Secure the cable so it will not be pinched at the truck cowl when the handle is actuated.



- 8** Connect electric cables from the knob and solenoid valve terminals to the truck electrical system. The fuse must be connected to an unswitched positive terminal. The solenoid valve must be able to energize with the truck key in the off position.

