

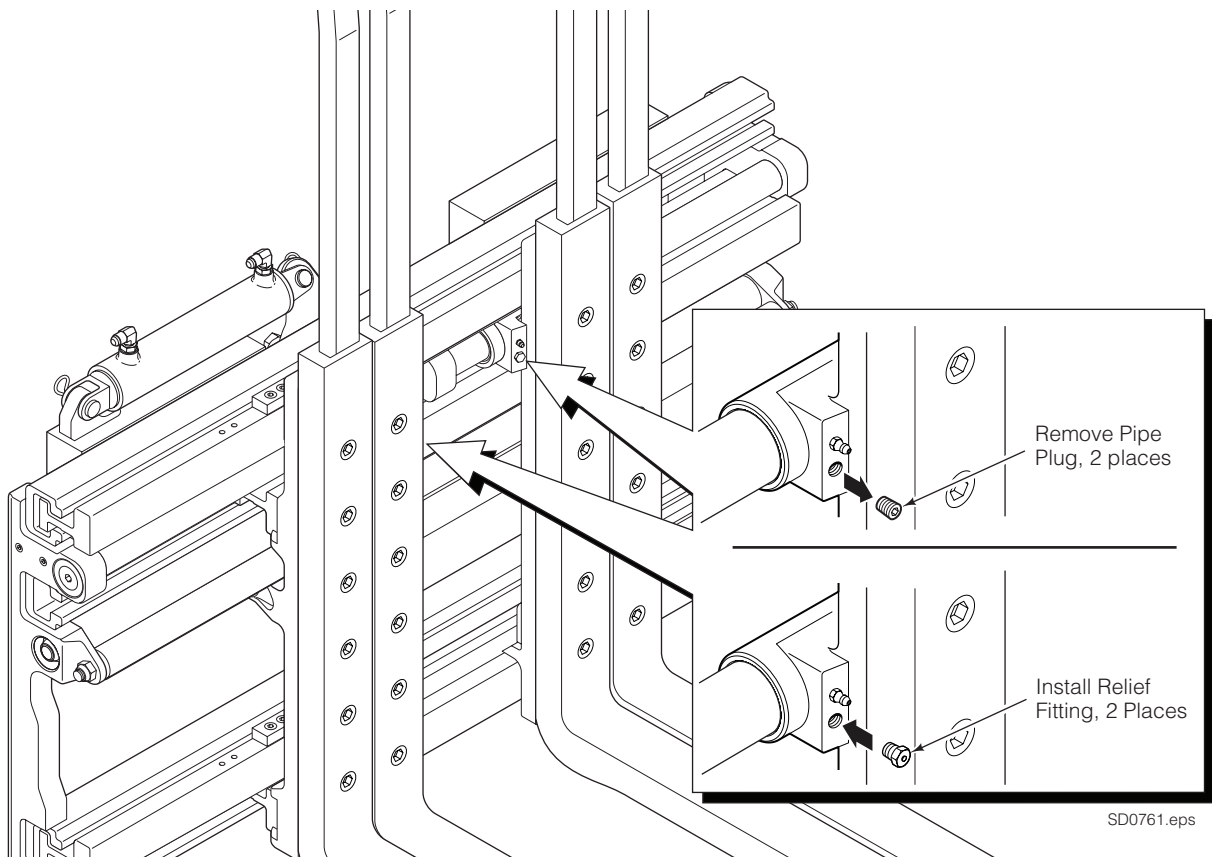
Technical Bulletin

G-Series Multiple Load Handler Inner Fork Carrier Relief Fitting

This sheet provides information on replacing inner fork carrier pipe plugs with relief fittings on G-Series Multiple Load Handler.

CAUTION: Failure to install relief fittings may result in damaged arm carrier seals and snap rings.

Replace the pipe plug with relief fitting, part no. 6069835, as shown. If the seals and snap rings are damaged, refer to G-Series Multiple Load Handler Service Manual, part no. 6072517.



NOTE: This information should not be interpreted as the basis for warranty claims unless so designated.

cascade[®]
corporation

For Technical Support . . .

Call: 1-800-CASCADE (227-2233)

OR

Write: Cascade Corporation, PO Box 20187, Portland, OR 97294-0187

To Order Parts . . .

Call: 1-888-CASCADE (227-2233)

OR

Write: Cascade Corporation, 2501 Sheridan Ave., Springfield, OH 45505