



Parts Manual

Model 45E Push-Pull

Serial Number 45E-PS-526

cascade[®]
corporation

For Technical Assistance call: 800-227-2233, Fax: 888-329-8207

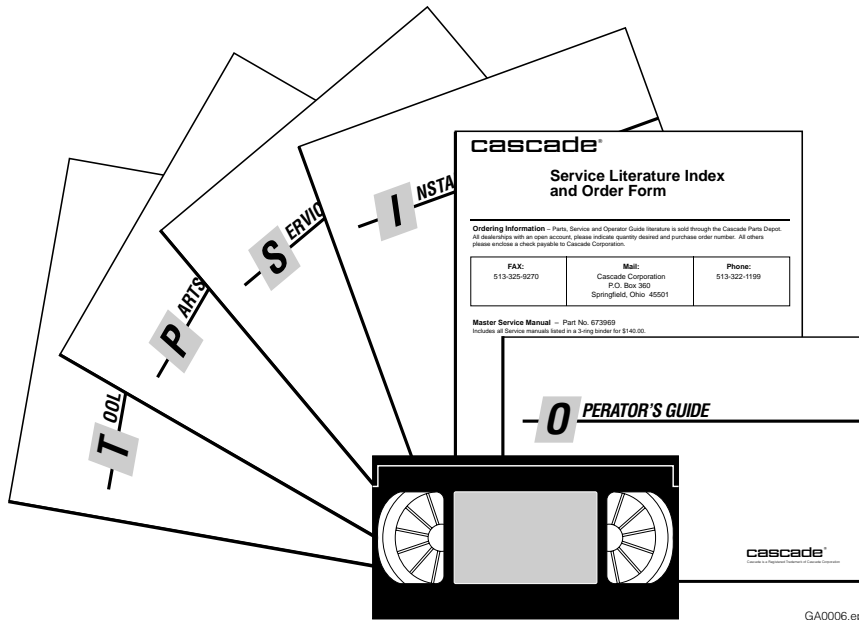
To Order Parts call: 888-227-2233, Fax: 888-329-0234

OR

Write: Cascade Corporation, P.O. Box 20187, Portland, OR 97220

Internet: www.cascorp.com

Publications



GA0006.eps

| PART NO. | DESCRIPTION |
|----------|---------------------------------|
| | Parts Manual |
| 686455 | Service Manual |
| 684945 | Operators Guide |
| 685531 | Operators Pocket Guide |
| 684944 | Installation Instructions |
| 680664 | Servicing Cascade Cylinders-VHS |
| 679929 | Tool Catalog |
| 673964 | Literature Index Order Form |

Decals



Optional Faceplate Extension



Part No. 679150
(1 Place & 1 optional)



Part No. 665595
(2 Place & 2 optional)



Part No. 656038
(6 Places)

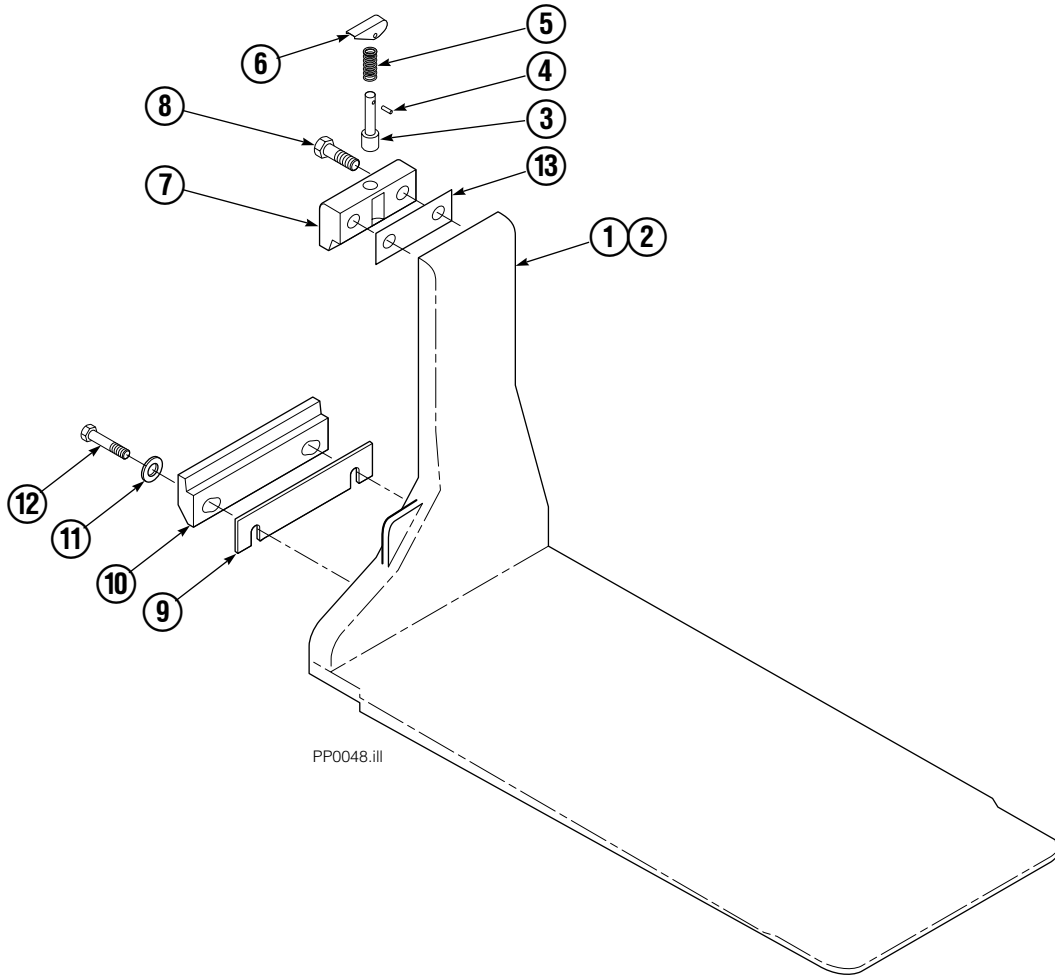


Part No. 679059
(1 Place if equipped with Quick Change Hooks)



PP0060.iii

Platens



Note: Usable platen lengths are determined by measuring from the faceplate (fully retracted position) to the platen tip or total platen length minus 4 1/2".

| REF | QTY | PART NO. | DESCRIPTION |
|-----|-----|----------|--------------|
| | | 685766 | Platen Group |
| 1 | 1 | 685767 | Platen L. H. |
| 2 | 1 | 685768 | Platen R. H. |
| 3 | 2 | 622907 | ■ Pin |
| 4 | 2 | 8007 | ■ Rivet |
| 5 | 2 | 622908 | ■ Spring |
| 6 | 2 | 622897 | ■ Handle |
| 7 | 2 | 685533 | ■ Upper Hook |
| 8 | 4 | 685677 | Capscrew |
| 9 | ★ | 206969 | Shim (.030) |
| 10 | 2 | 682851 | Lower Hook |
| 11 | 4 | 667225 | Washer |
| 12 | 4 | 779009 | Capscrew |
| 13 | ● | 688379 | Shim (.060) |

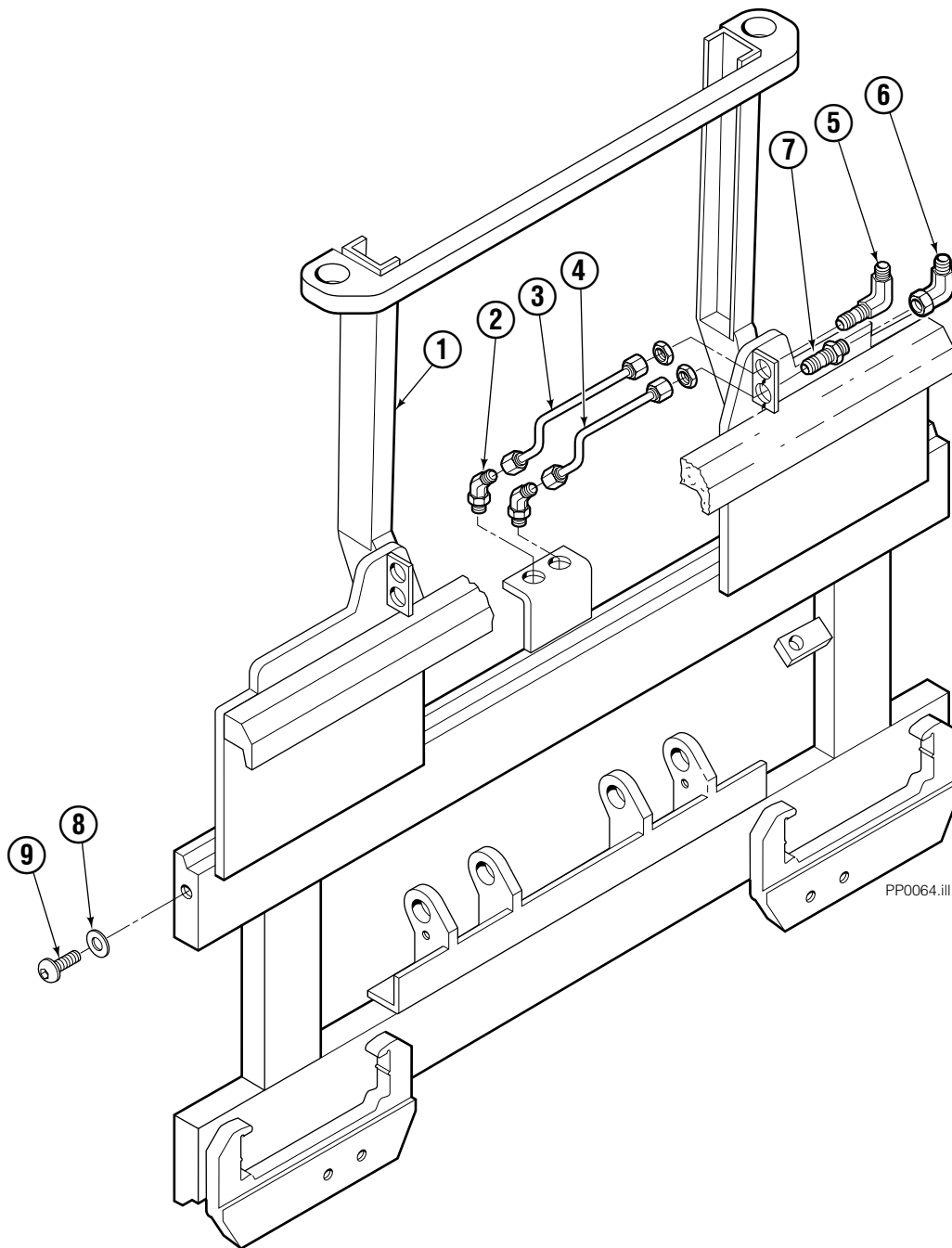
★ As required.

● As required (2 maximum)

■ Included in Upper Hook Assembly 688386.

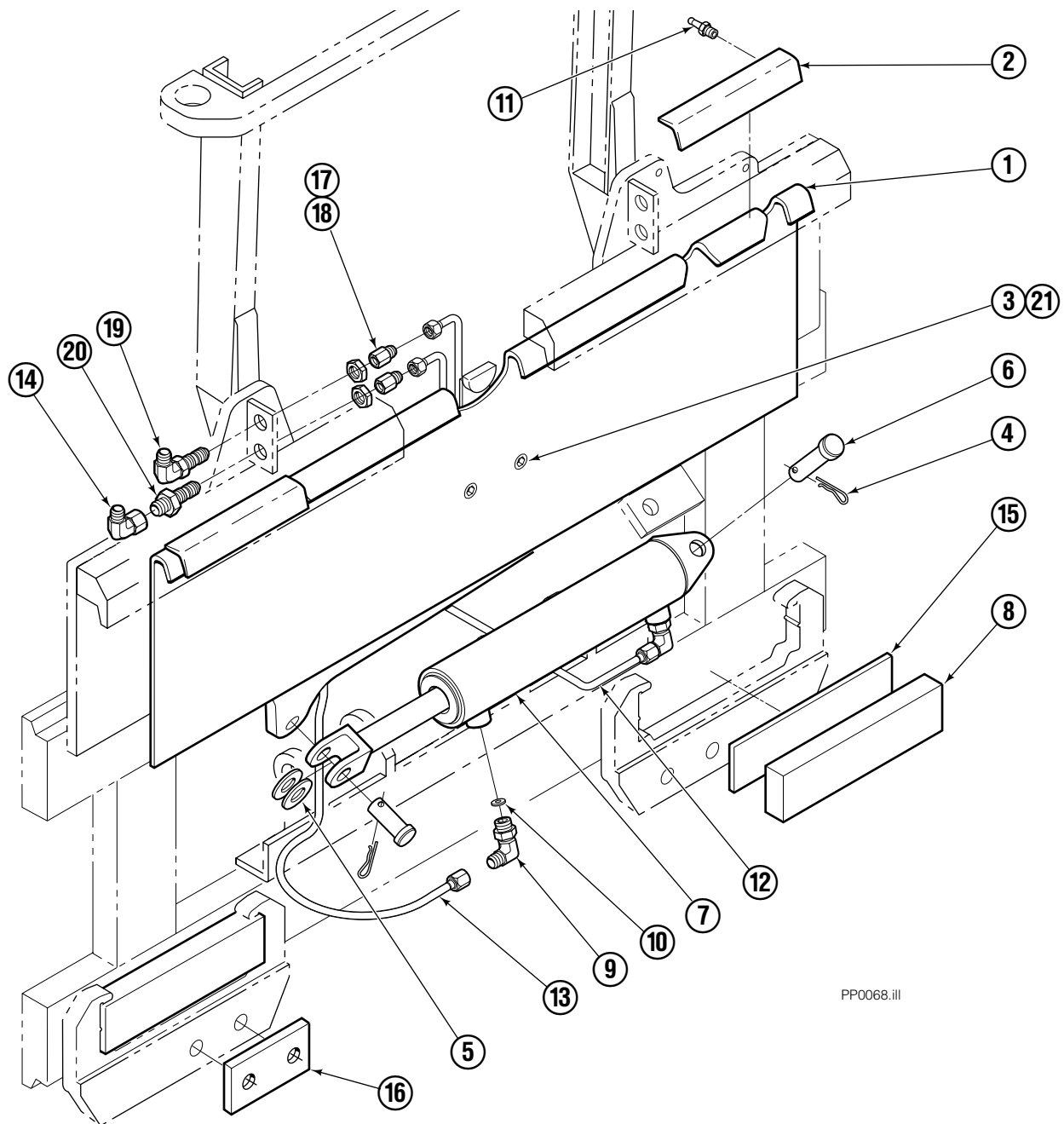
Reference: S-3408.

Frame Group ITA III



| 45E | | | |
|-----|-----|---------|---------------------|
| REF | QTY | PART NO | DESCRIPTION |
| | | 204650 | Frame Group ITA III |
| 1 | 1 | 204652 | Frame |
| 2 | 2 | 2492 | Fitting, 6-6 |
| 3 | 1 | 682992 | Tube |
| 4 | 1 | 682991 | Tube |
| 5 | 1 | 2453 | Fitting, 6-6 |
| 6 | 1 | 2680 | Fitting, 6-6 |
| 7 | 1 | 2375 | Fitting, 6-6 |
| 8 | 2 | 683001 | Washer |
| 9 | 2 | 683142 | Capscrew |

S/S Mounting Group ITA III



PP0068.iii

35E/45E

| REF | QTY | PART NO. | DESCRIPTION | REF | QTY | PART NO. | DESCRIPTION |
|-----|-----|----------|-------------------|-----|-----|----------|------------------|
| | | 682835 | Mounting Group | 11 | 4 | 7403 | ■ Grease Fitting |
| 1 | 1 | 682557 | Anchor Bracket | 12 | 1 | 686513 | Tube |
| 2 | 2 | 672018 | ■ Bearing Segment | 13 | 1 | 686514 | Tube |
| 3 | 2 | 768759 | Setscrew | 14 | 1 | 2680 | Fitting, 6 |
| 4 | 2 | 6517 | Cotter Pin | 15 | 2 | 683250 | Strip |
| 5 | 2 | 6234 | Washer | 16 | 2 | 683218 | Tube |
| 6 | 2 | 678525 | Clevis Pin | 17 | 2 | 2669 | Fitting, 4-6 |
| 7 | 1 | 675548 | ● Cylinder | 18 | 2 | 2617 | Fitting, 6-6 |
| 8 | 2 | 682814 | Bearing | 19 | 1 | 2453 | Fitting, 6-6 |
| 9 | 2 | 666984 | Fitting, 4-6 | 20 | 1 | 2375 | Fitting, 6-6 |
| 10 | 1 | 675550 | Washer | 21 | 2 | 688387 | Jam Nut |

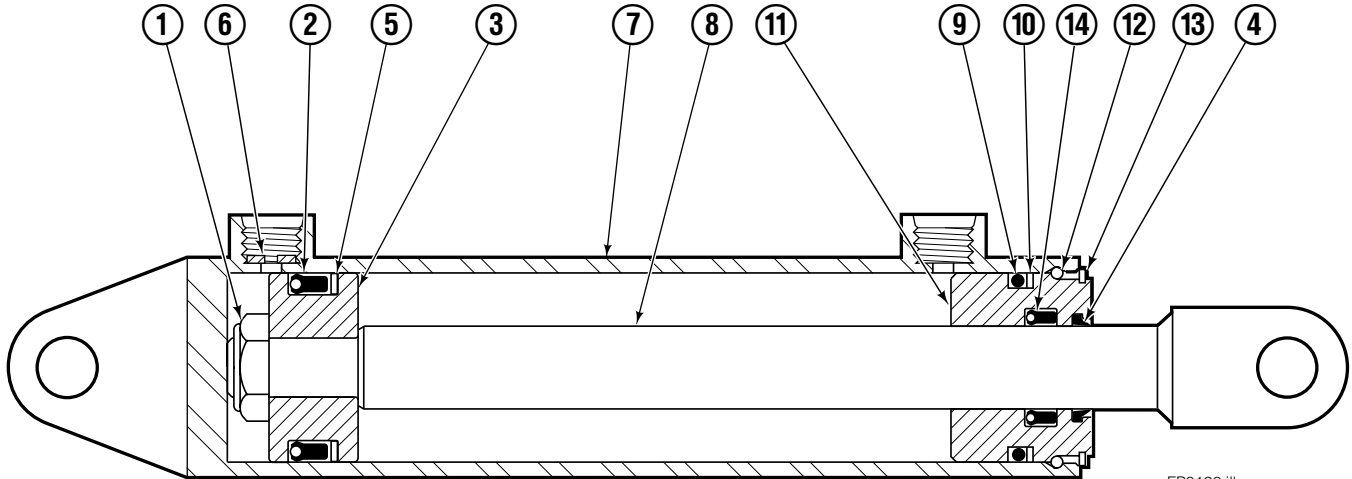
■ Included in Bearing Service Kit 672022.

● See Cylinder page for parts breakdown.

cascade®

For Technical Assistance call: 800-227-2233, Fax: 888-329-8207
To Order Parts call: 888-227-2233, Fax: 888-329-0234

Sideshift Cylinder ITA Class III

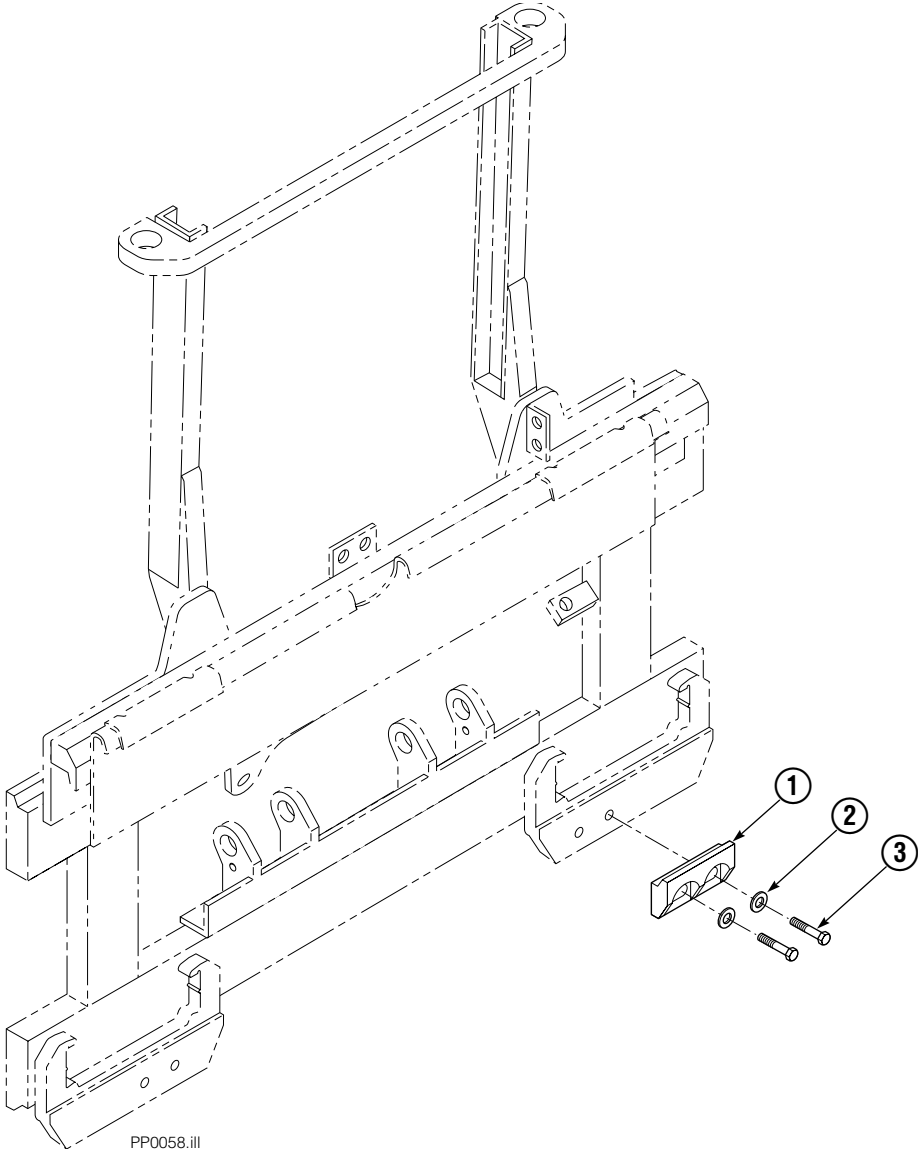


FP0126.ill

| 55E | | | |
|-----|-----|----------|---------------------------|
| REF | QTY | PART NO. | DESCRIPTION |
| | | 675548 | Cylinder Assembly |
| 1 | 1 | 553857 | Nut |
| 2 | 1 | 662452 | ■ Seal |
| 3 | 1 | 553501 | Piston |
| 4 | 1 | 636851 | ■ Wiper |
| 5 | 1 | 638247 | ■ Back-up Ring |
| 6 | 1 | 675550 | Washer (orifice .085 in.) |
| 7 | 1 | 675549 | Shell |
| 8 | 1 | 553449 | Rod |
| 9 | 1 | 2785 | ■ O-Ring |
| 10 | 1 | 615128 | ■ Back-up Ring |
| 11 | 1 | 553500 | Retainer |
| 12 | 1 | 553856 | Retaining Ring |
| 13 | 1 | 7202 | Snap Ring |
| 14 | 1 | 641835 | ■ Seal |
| | | 553861 | Service Kit |

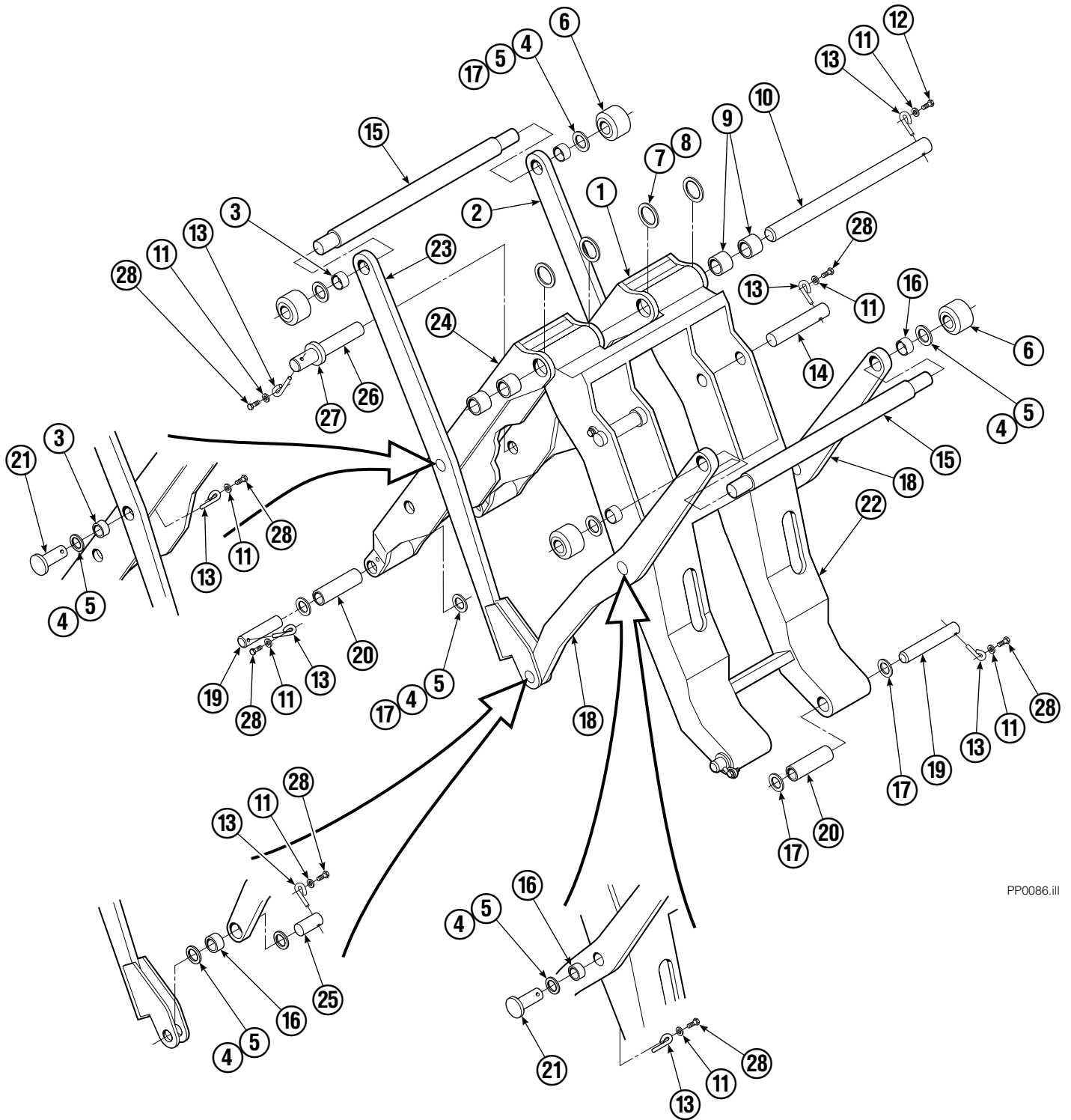
■ Included in Service Kit 553861.

Bolt-On Lower Hook Group – ITA III



| 35E/45E | | | |
|---------|-----|----------|--------------------------|
| REF | QTY | PART NO. | DESCRIPTION |
| | | 683180 | Lower Hook Group ITA III |
| 1 | 2 | 679361 | Hook |
| 2 | 4 | 667225 | Washer |
| 3 | 4 | 779010 | Capscrew |

Mechanism Group



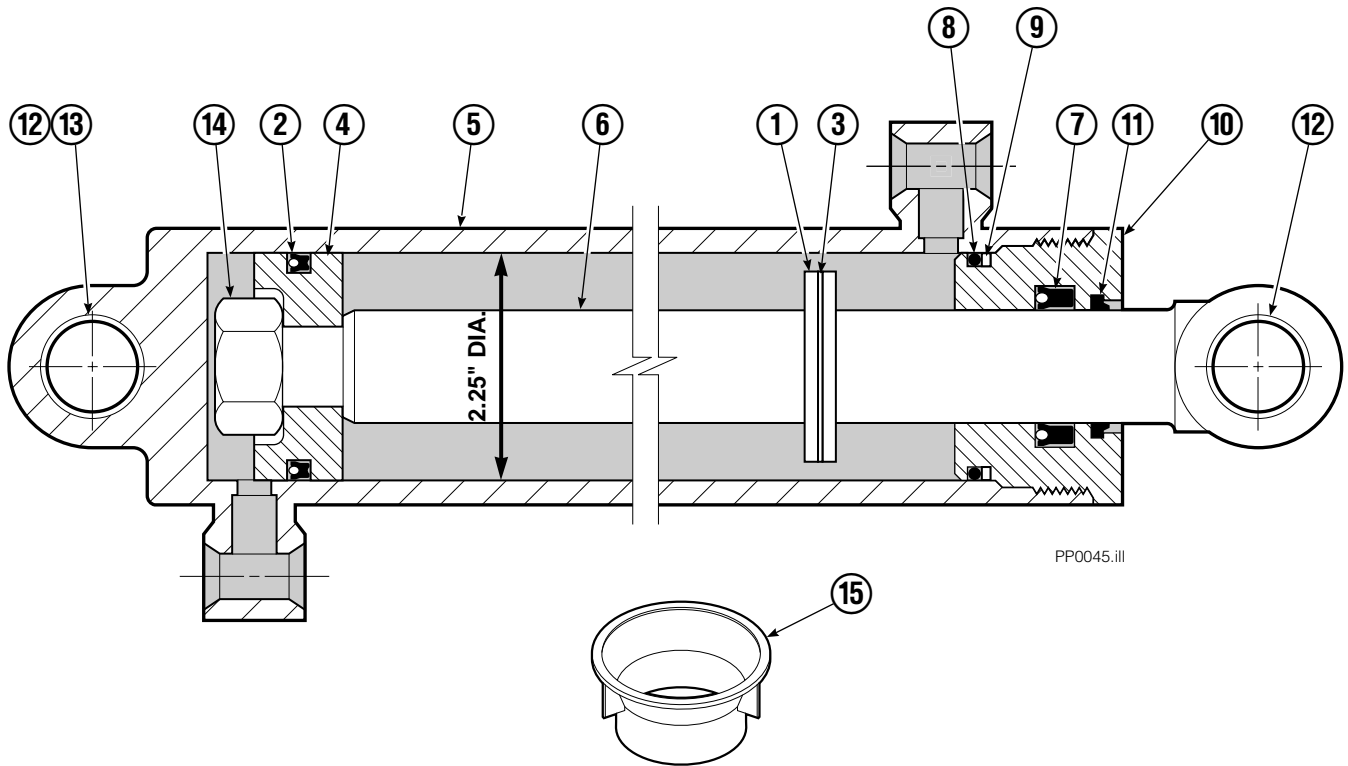
PP0086.ill

Mechanism Group

| 35E/45E | | | |
|----------------|-----|----------|---------------------------|
| REF | QTY | PART NO. | DESCRIPTION |
| | | 204644 | Mechanism Group |
| 1 | 1 | 204691 | Arm-Inner Secondary R. H. |
| 2 | 1 | 204692 | Arm-Secondary Outer R. H. |
| 3 | 4 | 683154 | ■ Bushing |
| 4 | ● | 683161 | Shim (.030) |
| 5 | ● | 683162 | Shim (.060) |
| 6 | 4 | 205070 | Roller |
| 7 | ● | 683163 | Shim (.030) |
| 8 | ● | 683164 | Shim (.060) |
| 9 | 4 | 683155 | ■ Bushing |
| 10 | 1 | 682821 | Pin |
| 11 | 15 | 6229 | Washer |
| 12 | 2 | 685661 | Capscrew |
| 13 | 15 | 682999 | Eye-Pin |
| 14 | 2 | 682822 | Pin-Head |
| 15 | 2 | 205065 | Pin |
| 16 | 6 | 683153 | ■ Bushing |
| 17 | ● | 204532 | Shim (.12) |
| 18 | 2 | 204694 | Arm-Outer Primary |
| 19 | 4 | 204533 | Pin-Frame |
| 20 | 4 | 204535 | ■ Bushing |
| 21 | 4 | 204695 | Pin |
| 22 | 1 | 204604 | Arm-Inner Primary |
| 23 | 1 | 204693 | Arm-Secondary Outer L. H. |
| 24 | 1 | 204690 | Arm-Inner Secondary L. H. |
| 25 | 2 | 204696 | Pin-Outer |
| 26 | 2 | 682823 | Pin-Rod |
| 27 | 2 | 683165 | Spacer |
| 28 | 13 | 767961 | Capscrew |

- Quantity as required.
- Included in Bushing Service Kit 205075.

Cylinder

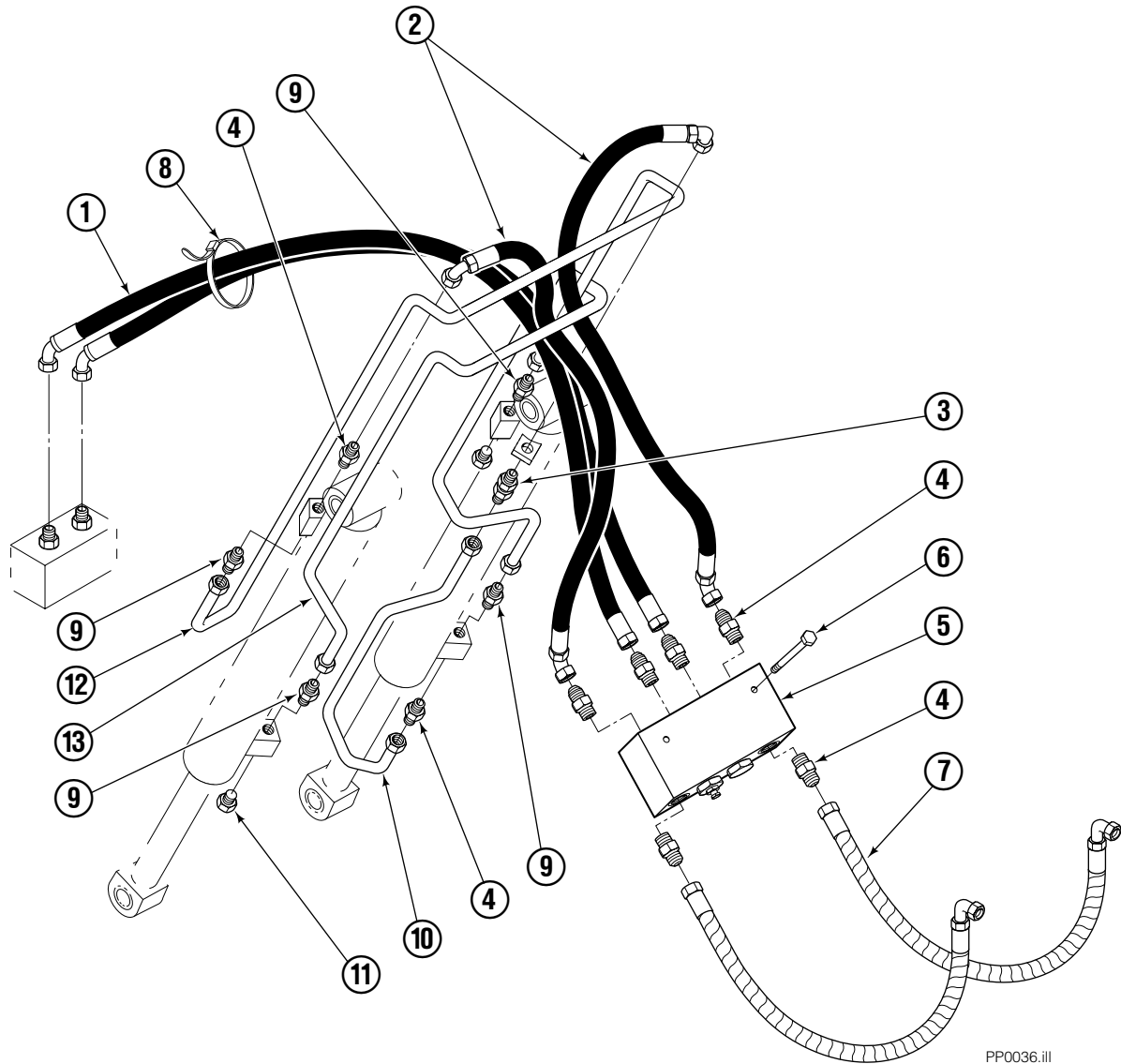


| REF | QTY | PART NO. | DESCRIPTION |
|-----|-----|----------|-------------------|
| | | 582636 | Cylinder Assembly |
| 1 | 1 | — | Spacer |
| 2 | 1 | 564159 | ■ Seal |
| 3 | 1 | 7348 | Snap Ring |
| 4 | 1 | 564161 | Piston |
| 5 | 1 | 562717 | Shell |
| 6 | 1 | 558626 | Rod |
| 7 | 1 | 662448 | ■ Seal |
| 8 | 1 | 2787 | ■ O-Ring |
| 9 | 1 | 615130 | ■ Back-Up Ring |
| 10 | 1 | 558628 | Retainer |
| 11 | 1 | 636853 | ■ Wiper |
| 12 | 4 | 559697 | Bearing |
| 13 | 1 | 559698 | Spacer |
| 14 | 1 | 678019 | Nut |
| 15 | 1 | 671048 | ■ Seal Loader Kit |

■ Included in Service Kit 562339.

Reference: S-3424.

Hydraulic Group



PP0036.ill

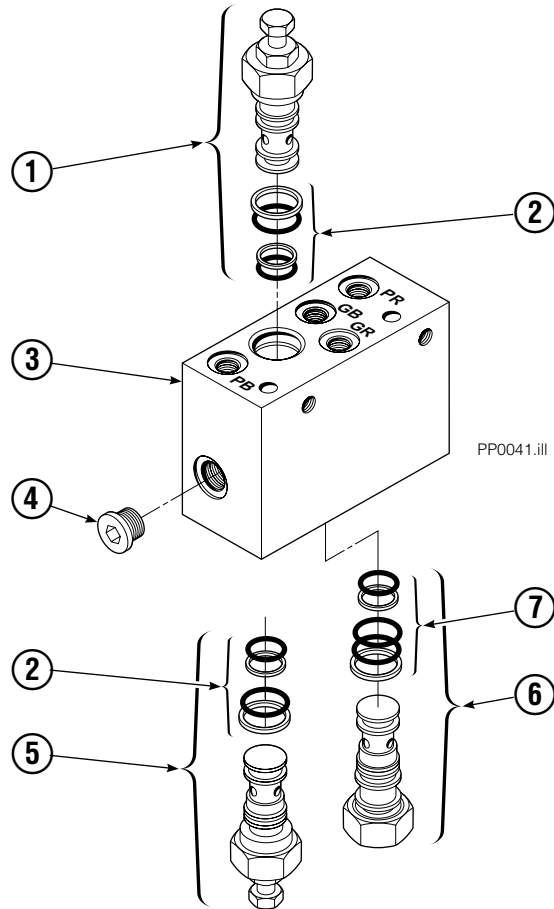
35E/45E

| REF | QTY | PART NO. | DESCRIPTION |
|-----|-----|----------|--------------------------|
| | | 685829 | Hydraulic Group ITA III |
| 1 | 1 | 685831 | Hose |
| 2 | 2 | 683173 | Hose |
| 3 | 1 | 2375 | Fitting, 6-6 |
| 4 | 8 | 604511 | Fitting, 6-6 |
| 5 | 1 | 682812 | ■ Valve |
| 6 | 2 | 765329 | Capscrew, M8x1.25x20-8.8 |
| 7 | 2 | 685979 | Hose ITA III |
| 8 | 2 | 684956 | Cable tie |
| 9 | 4 | 605235 | Fitting 5-6 |
| 10 | 1 | 200647 | Tube |
| 11 | 2 | 604510 | Plug, 6 |
| 12 | 1 | 200649 | Tube |
| 13 | 1 | 200648 | Tube |

■ See Valve page for parts breakdown.

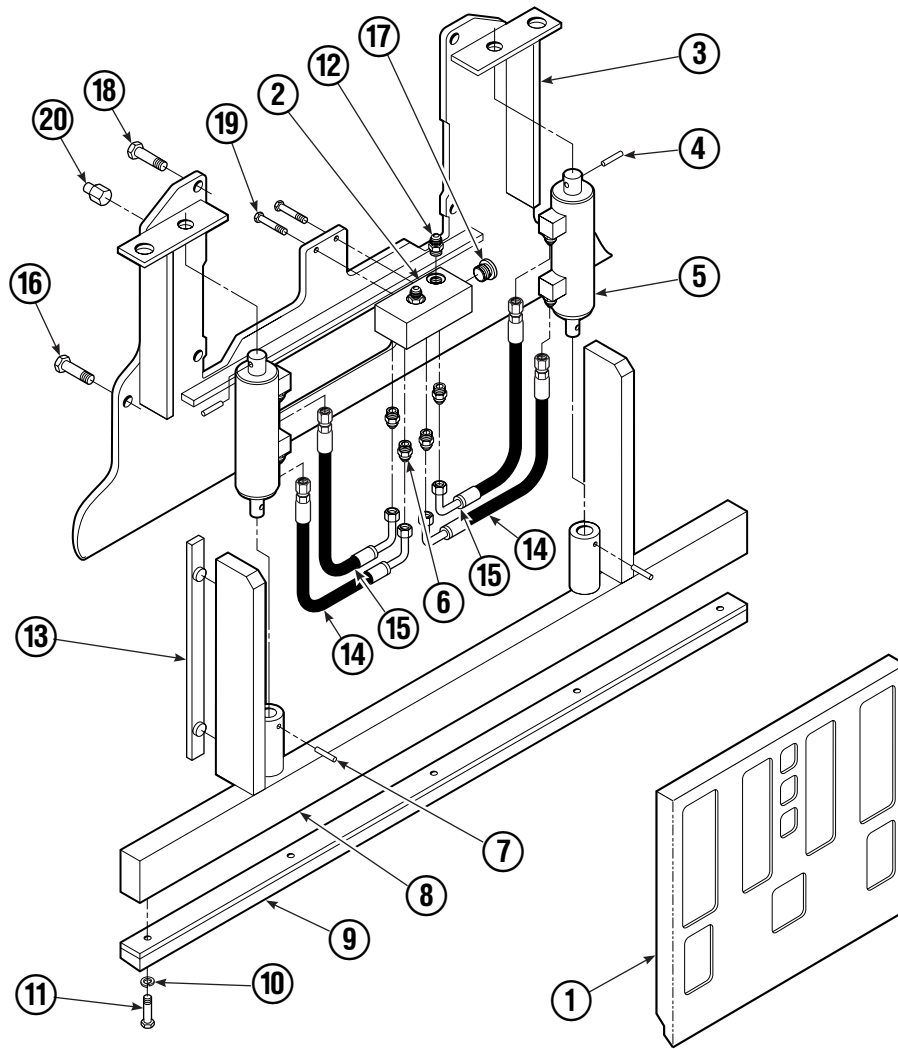
Valve

Load Push/Pull



| REF | QTY | PART NO. | DESCRIPTION |
|-----|-----|----------|--------------------------|
| | | 682812 | Valve Assembly |
| 1 | 1 | 677125 | Sequence Valve (Retract) |
| 2 | 2 | 669597 | Service Kit |
| 3 | 1 | 682813 | Body |
| 4 | 5 | 663694 | Fitting, 3 |
| 5 | 1 | 677124 | Sequence Valve (Extend) |
| 6 | 1 | 659058 | Gripper Check Valve |
| 7 | 1 | 667516 | Service Kit |

Faceplate Group



PP0226.iii

35E/45E

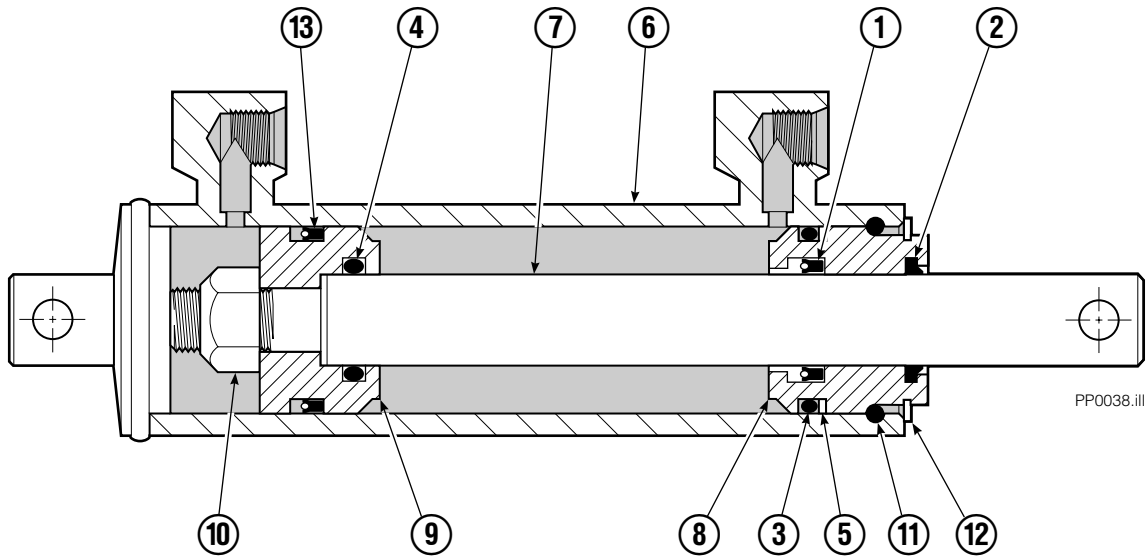
| REF | QTY | PART NO. | DESCRIPTION | REF | QTY | PART NO. | DESCRIPTION |
|-----|-----|----------|--------------------------------|-----|-----|----------|--------------------------|
| | | 205966 | Faceplate Group, 40 x 40 in. ■ | 10 | 5 | 6444 | Lockwasher |
| | | 205961 | Gripper Jaw Assembly ● | 11 | 5 | 768794 | Capscrew, M8x1,25x20-8.8 |
| 1 | 1 | 204634 | Faceplate, 40 x 40 in. ■ | 12 | 2 | 604511 | Fitting, 6-6 |
| 2 | 1 | 205959 | Junction Block | 13 | 2 | 686573 | Bearing |
| 3 | 1 | 206396 | Gripper Jaw | 14 | 2 | 205957 | Hose |
| 4 | 2 | 673385 | Drive Pin | 15 | 2 | 205958 | Hose |
| 5 | 2 | 682844 | Gripper Cylinder ▼ | 16 | 2 | 768710 | Capscrew |
| 6 | 8 | 617915 | Fitting, 4-4 | 17 | 2 | 609234 | Plug, 4 |
| 7 | 2 | 200877 | Drive Pin | 18 | 4 | 779010 | Capscrew |
| 8 | 1 | 206403 | Gripper Bar | 19 | 2 | 763166 | Capscrew, M8x1,25x25-8.8 |
| 9 | 1 | 672712 | Gripper Pad | 20 | 4 | 682850 | Stop |

■ Width x height.

● Includes items 2 through 20.

▼ See Gripper Cylinder page for parts breakdown.

Gripper Cylinder



| 35E/45E | | | |
|---------|-----|----------|------------------|
| REF | QTY | PART NO. | DESCRIPTION |
| | | 682844 | Gripper Cylinder |
| 1 | 1 | 646540 | ▼ Seal |
| 2 | 1 | 636850 | ▼ Wiper |
| 3 | 1 | 2718 | ▼ O-Ring |
| 4 | 1 | 2710 | ▼ O-Ring |
| 5 | 1 | 615122 | ▼ Back-Up Ring |
| 6 | 1 | 685662 | Shell |
| 7 | 1 | 685663 | Rod |
| 8 | 1 | 685664 | Retainer |
| 9 | 1 | 685665 | Piston |
| 10 | 1 | 563462 | Nut |
| 11 | 1 | 563916 | Ring |
| 12 | 1 | 684284 | Snap Ring |
| 13 | 1 | 663728 | ▼ Piston Seal |

▼ Included in Service Kit 684827.

Do you have questions you need answered right now? Call your nearest Cascade Parts Department. Visit us online at www.cascorp.com

Cascade Corporation
2501 Sheridan Avenue
Springfield, OH 45505
Tel: 888-CASCADE (227-2233)
FAX: 888-329-0234

Cascade Canada Inc.
5570 Timberlea Blvd.
Mississauga, Ontario
Canada L4W-4M6
Tel: 905-629-7777
FAX: 905-629-7785

Cascade GmbH
D-41199 Monchengladbach
Klosterhofweg 52
Germany
Tel: 49-216-668230
FAX: 49-216-6682323

Cascade Finland
Albert Petreliuksenkatu 3
01370 Vantaa
Finland
Tel: 358-9-836-1925
FAX: 358-9-836-1935

**Cascade N.V.
European Headquarters**
P.O. Box 3009
1300 El Almere
Damsluisweg 56
1332 ED Almere
The Netherlands
Tel: 31-36-5492911
FAX: 31-36-5492964

**Cascade N.V.
Benelux Sales and Service**
P.O. Box 3009
1300 El Almere
Damsluisweg 56
1332 ED Almere
The Netherlands
Tel: 31-36-5492950
FAX: 31-36-5492974

Cascade (UK) Ltd.
15, Orgreave Crescent
Dore House Industrial Estate
Handsworth
Sheffield S13 9NQ
England
Tel: 742-697524
FAX: 742-695121

Cascade Scandinavia AB
Box 124
Hammarvägen 10
567 23 Vaggeryd
Sweden
Tel: 42-0-393-36950
FAX: 46-0-393-36959

Cascade Norway
Østerliveien 37A
1153 Oslo
Norway
Tel: 47-22-743160
FAX: 47-22-743157

Cascade France S.A.R.L.
1D Rue De Charaintru
BP 18, 91360 Epinay-Sur-Orge
Morangis Cedex, France
Tel: 33-1- 64547500
FAX: 33-1-64547501

Cascade Hispania S.A.
Carrer 5 Sector C
Zona Franca Duanera
Poligono de la Zon Franca
08040 Barcelona, Spain
Office No. 256
Tel: 93-264-07-30
FAX: 93-264-07-31

Cascade Japan Ltd.
5-5-41,
Torikai Kami
Settsu, Osaka
Japan, 566
Tel: 81-726-53-3490
FAX: 81-726-53-3497

Cascade Korea
108B, Namdong Ind Complex
658-3 Gojan-Dong
Namdong-Gu
Inchon, 405-310 Korea
Tel: 82-32-821-2051
FAX: 82-32-821-2055

Cascade Australia
1445 Ipswich Road
Rocklea, QLD 4106
Australia
Tel: 1-800227-223
FAX: (07) 3373-7333

Cascade New Zealand
15 Ra Ora Drive
East Tamaki, Auckland
New Zealand
Tel: 9-273-9136
FAX: 9-273-9137

Cascade (Africa) Pty. Ltd.
P.O. Box 625, Isando 1600
60A Steel Road
Sparton, Kempton Park
South Africa
Tel: 27-11-975-9240
FAX: 27-11-394-1147

Cascade-Xiamen
No. 668 Yangguang Rd.
Xinyang Industrial Zone
Haicang, Xiamen City
Fujian Province
P.R. China 361026
Tel: 86-592-651-2500
FAX: 86-592-651-2571

**Cascade (Singapore)
Trading Co.**
Four Seasons Park
Autumn Block - Apt. 1802
12 Cuscaden Walk
Singapore
Tel: 65-834-1935
FAX: 65-834-1936

