



# Parts Manual

---

Model \_\_\_\_\_ Load Stabilizer

Serial Number \_\_\_\_\_ 35E-IS-050

---

**cascade**<sup>®</sup>  
corporation

**For Technical Assistance call:** 800-227-2233, Fax: 888-329-8207

**To Order Parts call:** 888-227-2233, Fax: 888-329-0234

OR

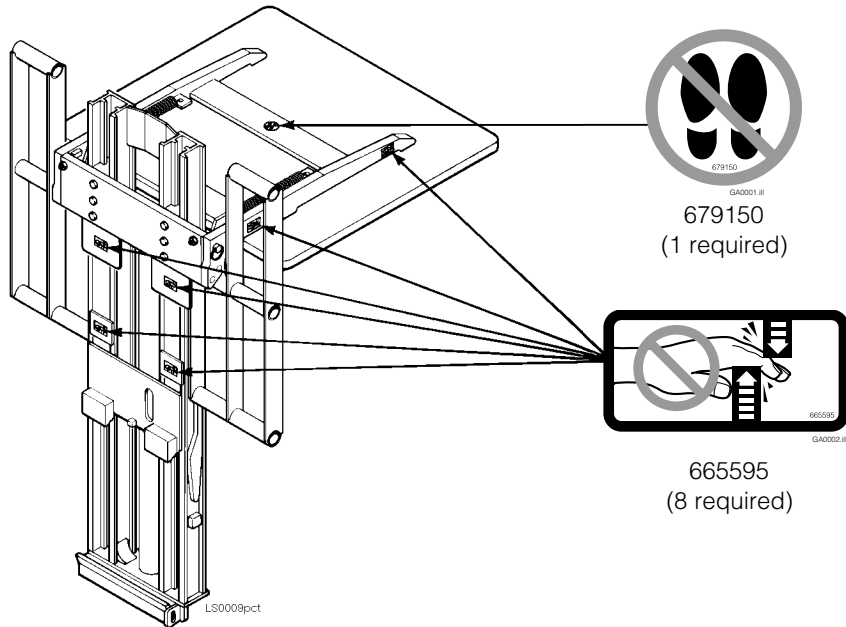
**Write:** Cascade Corporation, P.O. Box 20187, Portland, OR 97220

**Internet:** [www.cascorp.com](http://www.cascorp.com)

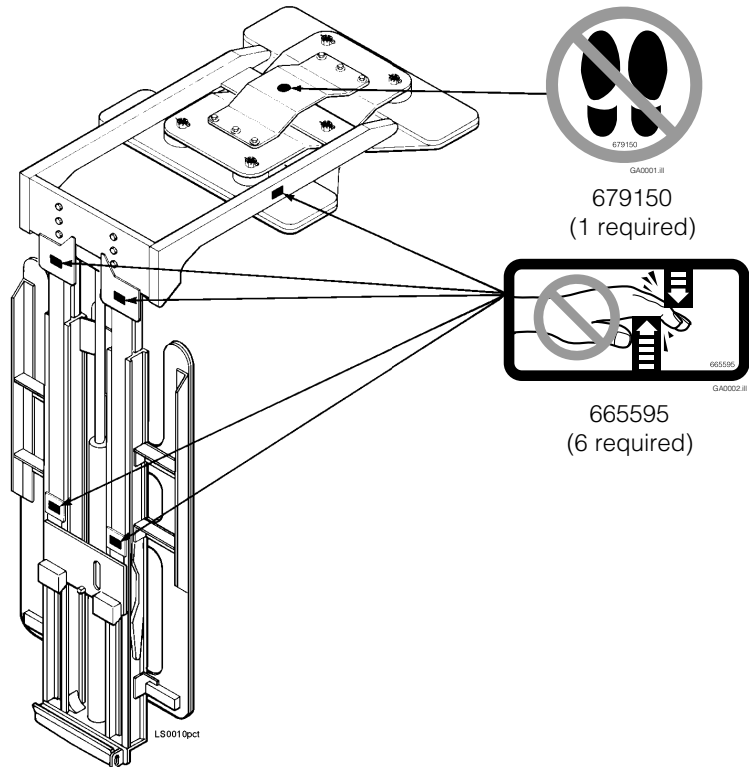


# Decals

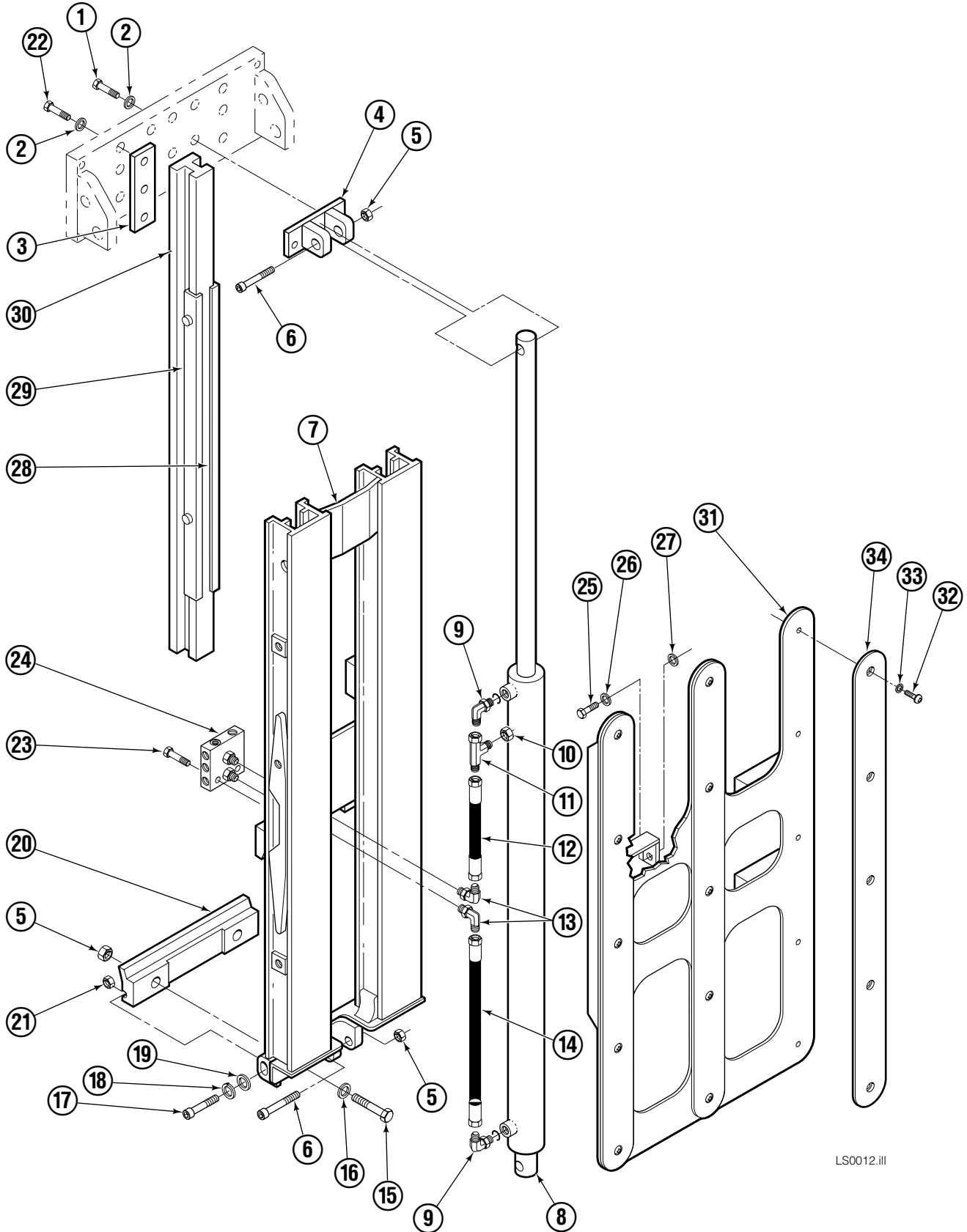
## Load Stabilizer



## Bottled Water Load Stabilizer



# Bottled Water Frame Group



LS0012.iii

# Bottled Water Frame Group

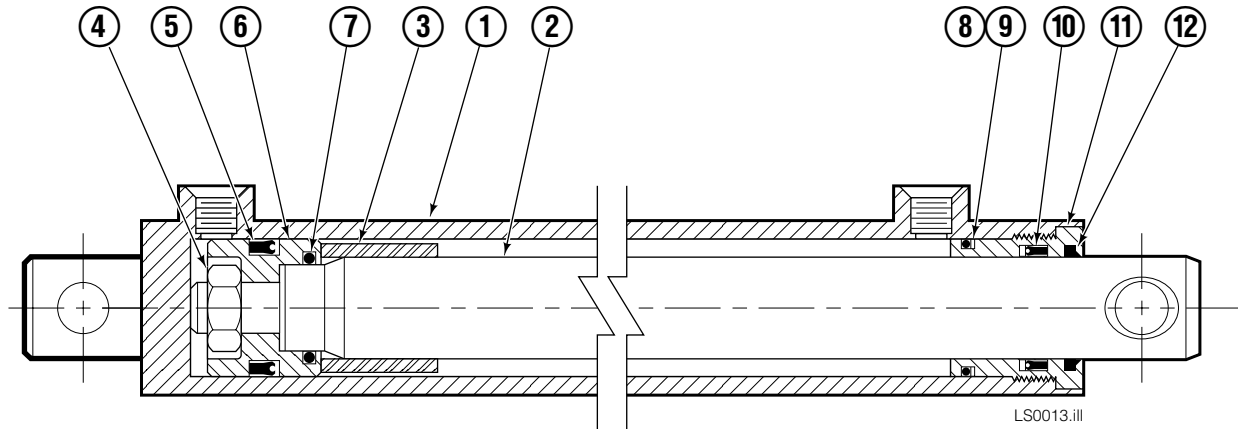
35E			
REF	QTY	PART NO.	DESCRIPTION
1	3	206478	Capscrew
2	15	201570	Washer
3	2	201956	Shim
4	1	201976	Cylinder Clevis
5	4	678990	Nut
6	2	211250	Capscrew
7	1	202131	Frame
8	1	583675	Cylinder ◆
9	2	601676	Fitting, 6-6
10	1	2645	Fitting, 6
11	1	611329	Fitting, 6-6
12	1	675058	Hose
13	2	2680	Fitting, 6-6
14	1	675058	Hose
15	2	689997	Capscrew, M16 x 60
16	2	667225	Washer
17	1	201568	Capscrew
18	1	680253	Lockwasher, M8
19	1	205349	Washer
20	1	202049	Lower Hook
21	1	767414	Nut, M8
22	8	209684	Capscrew, M12 x 50
23	2	768795	Capscrew
24	1	202047	Valve Assembly ■
25	6	763101	Capscrew, M16 X 25
26	6	211179	Washer
27	20	202263	Washer-Shim
28	2	668910	Bearing
29	2	668911	Bearing
30	2	202057	Arm Bar
31	1	202141	Backrest
32	15	202264	Capscrew
33	15	6201	Washer
34	3	202138	Bumper

◆ See Cylinder page for parts breakdown.

■ See Valve Assembly page for parts breakdown

Reference: Backrest Group 202266  
 Common Parts Group 202158 (SK-5828)  
 Hydraulic Group 202326 (S-3764)  
 Frame Group 206503 (S-3763)

# Load Stabilizer Cylinder

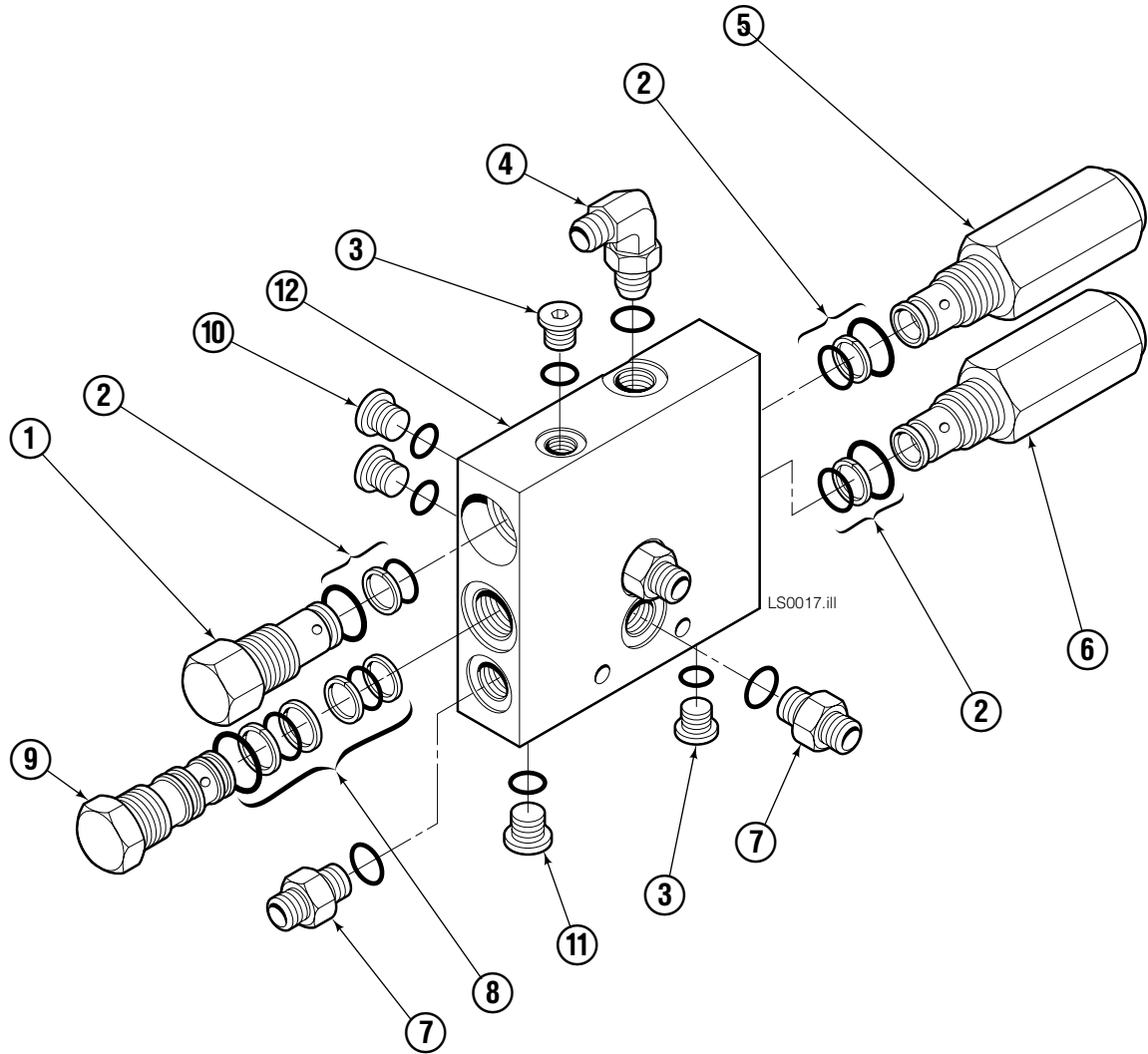


35E			
REF	QTY	PART NO.	DESCRIPTION
		583675	Cylinder Assembly
1	1	562298	Shell
2	1	562299	Rod
3	1	563370	Spacer
4	1	667623	Nut
5	1	557598	■ Piston Seal
6	1	559702	Piston
7	1	2716	■ O-Ring
8	1	2722	■ O-Ring
9	1	615126	■ Back-Up Ring
10	1	663728	■ Rod Seal
11	1	562300	Retainer
12	1	626468	■ Wiper
		562447	Service Kit

■ Included in Service Kit 562447.

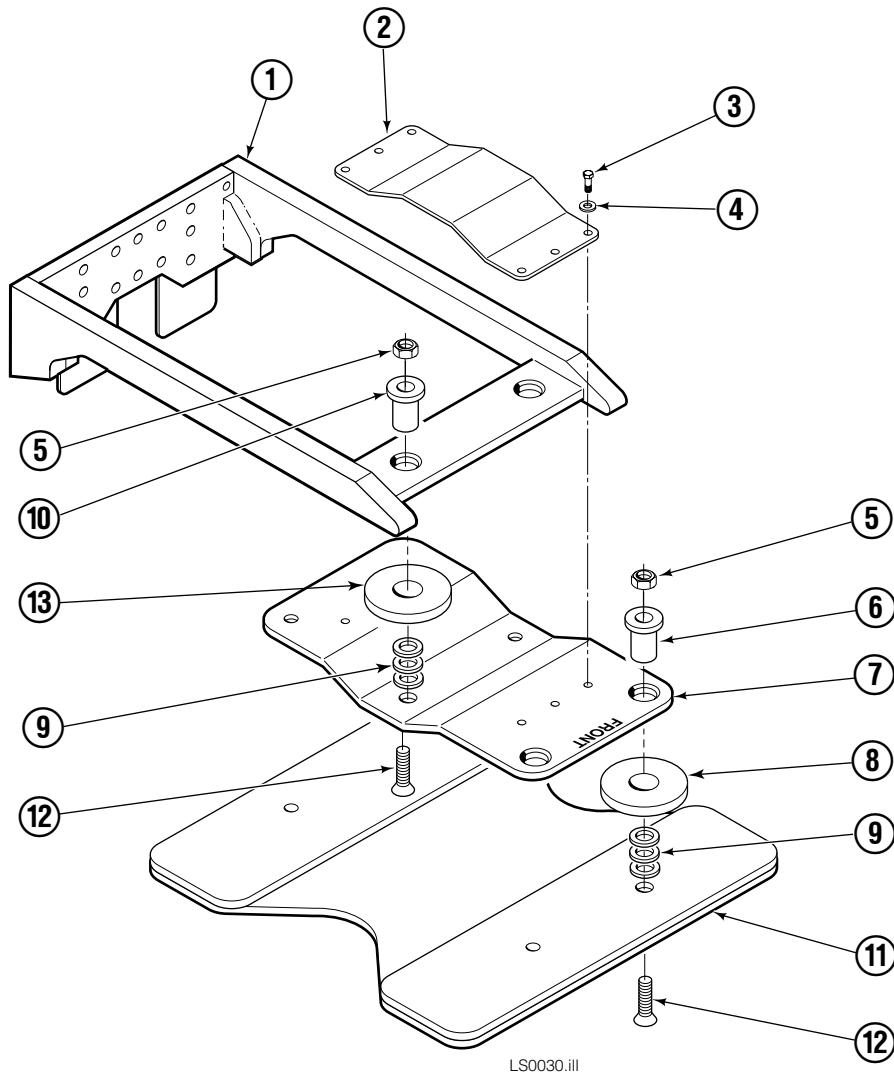
Reference: S-6063, S-6062.

# Valve Assembly



35E			
REF	QTY	PART NO.	DESCRIPTION
		202047	Valve Assembly
1	1	682168	Valve Cartridge
2	3	682170	Service Kit
3	2	663694	Plug, 3
4	1	601676	Fitting, 6-6
5	1	201566	Valve Cartridge – Adjustable Relief
6	1	201565	Valve Cartridge – Fixed Relief
7	3	604511	Fitting, 6-6
8	1	204424	Service Kit
9	1	201564	Valve Cartridge – P. O. Check
10	2	604510	Plug, 6
11	1	609234	Plug, 4
12	1	202125	Valve Body

# Bottled Water Arm Group



REF	QTY	PART NO.	DESCRIPTION
1	1	202142	Arm
2	1	202147	Top Plate
3	6	762899	Capscrew
4	6	201570	Washer
5	6	205979	Nut
6	4	205978	Sleeve
7	1	202144	Bottom Plate
8	4	202136	Rubber Washer
9	18	202251	Washer
11	2	202265	Contact Pad
12	6	768709	Capscrew
13	2	202135	Rubber Washer
10	2	205977	Sleeve

Reference: Common Parts Group 202158, LS-3767, LS-3768.



# Parts Manual

---

Model Sideshifter

Serial Number 55E-SS-235

---

**cascade**<sup>®</sup>  
**corporation**

**For Technical Assistance call:** 800-227-2233, Fax: 888-329-8207

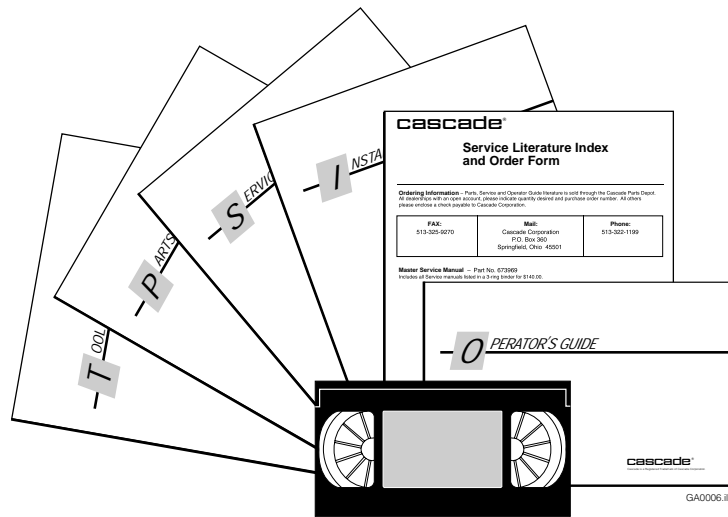
**To Order Parts call:** 888-227-2233, Fax: 888-329-0234

**OR**

**Write:** Cascade Corporation, P.O. Box 20187, Portland, OR 97220

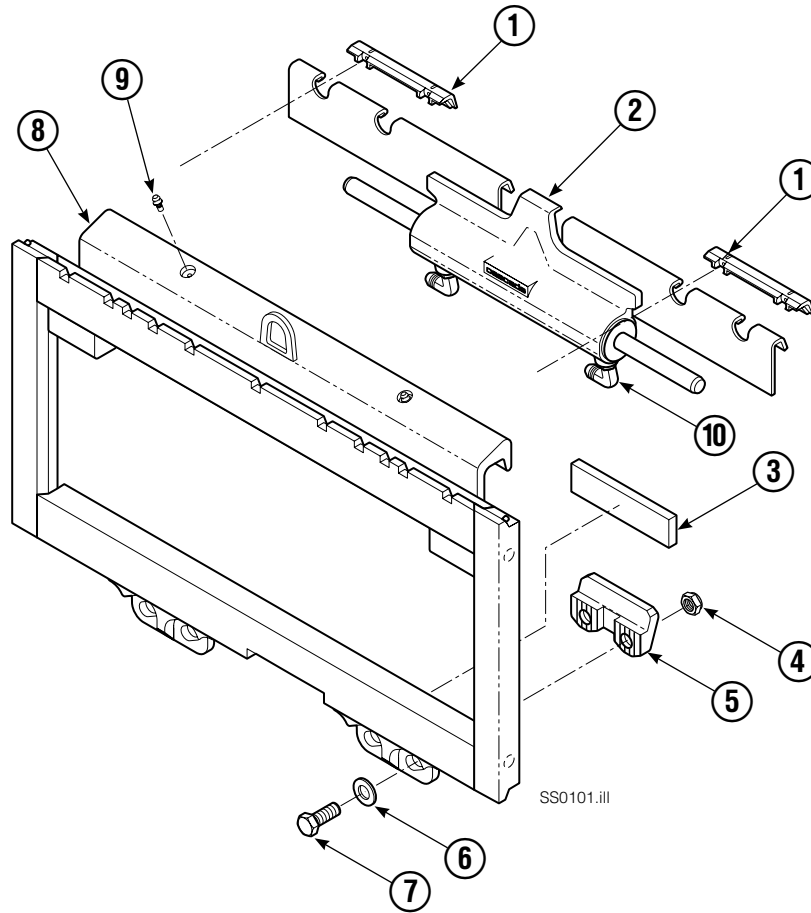
**Internet:** [www.cascorp.com](http://www.cascorp.com)

# Publications



PART NO.	DESCRIPTION
	Parts Manual
205849	Service Manual
205124	Operator Guide
205125	Installation Instruction
679929	Tool Catalog
673964	Literature Index Order Form

# Sideshift Group



Lower Hook Group 204182

Common Parts 207376

55E			
REF	QTY	PART NO.	DESCRIPTION
1	2	204187	Upper Bearing
2	1	205841	Cylinder
3	2	207209	Lower Bearing
4	4	553857	★ Nut, 5/8NC GR5
5	2	204186	★ Lower Hook
6	4	667225	★ Washer
7	4	639121	★ Capscrew, 5/8NCx1.50 GR5
8	1	3817-72	Frame ●
9	▼	651853	Zerk Fitting
10	2	601676	◆ Fitting, 6-6

● If the Frame needs replacing, your best value is to order the complete sideshift assembly.

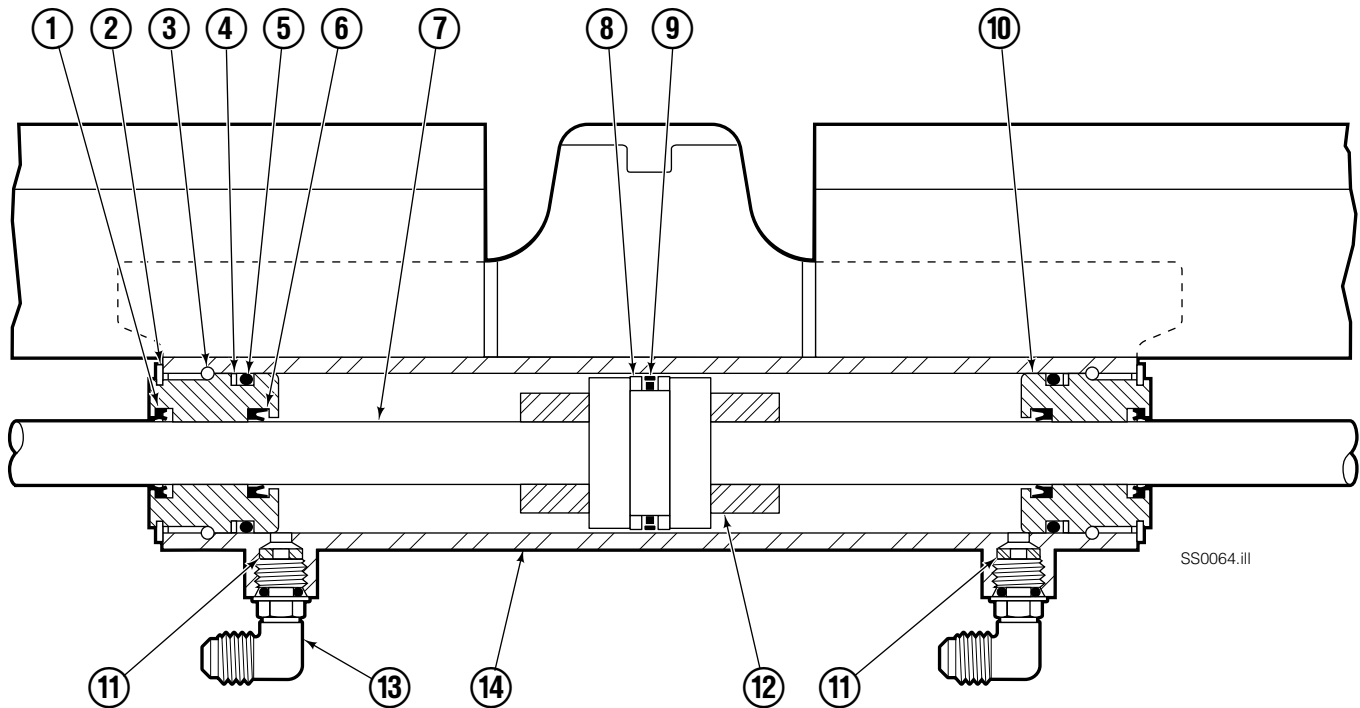
★ Included in Lower Hook Group 204182.

◆ Included in Fitting Group 204179.

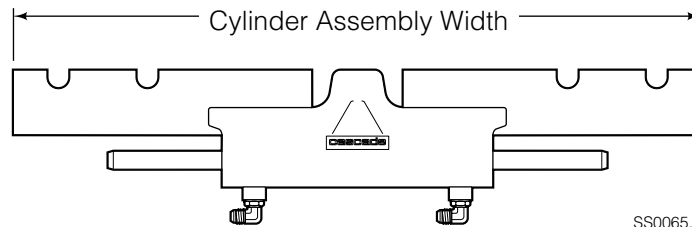
■ See Cylinder page for parts breakdown.

▼ Quantity as required.

# Cylinder



SS0064.ill



SS0065.ill

## 55E

REF	QTY	PART NO.	DESCRIPTION	REF	QTY	PART NO.	DESCRIPTION
		205841	Cylinder Assembly, 28.9 in. (735 mm)	8	2	563278	● Bearing Ring
1	2	562131	● Wiper Seal	9	1	564141	● Piston Seal
2	2	562951	Snap Ring	10	2	562792	Retainer
3	2	562942	Retaining Ring	11	1	205369	Speed Control Washer
4	2	563388	● Back-Up Ring	12	2	—	Spacer
5	2	562127	● O-Ring	13	2	601676	Fitting, JIC 6-6
6	2	562132	● Rod Seal	14	—	■	Cylinder Shell
7	1	562055	Rod			563487	Service Kit

● Included in Service Kit 563487.

■ Not serviceable, order new cylinder assembly.



**Do you have questions you need answered right now?** Call your nearest Cascade Parts Department.

**Cascade Corporation**  
2501 Sheridan Avenue  
Springfield, OH 45505  
Tel: 888-CASCADE (227-2233)  
FAX: 888-329-0234  
www.cascorp.com

**Cascade Canada Inc.**  
5570 Timberlea Blvd.  
Mississauga, Ontario  
Canada L4W-4M6  
Tel: 905-629-7777  
FAX: 905-629-7785

**Cascade GmbH**  
D-41199 Monchengladbach  
Klosterhofweg 52  
Germany  
Tel: 21-66-602091  
FAX: 21-66-680947

**Cascade Finland**  
01370 Vantas  
Finland  
Tel: 358-0-836-1925  
FAX: 358-0-836-1935

**Cascade N.V.  
European Headquarters**  
P.O. Box 3009  
1300 El Almere  
Damsluisweg 56  
1332 ED Almere  
The Netherlands  
Tel: 31-36-5492911  
FAX: 31-36-5492964

**Cascade N.V.  
Benelux Sales and Service**  
P.O. Box 3009  
1300 El Almere  
Damsluisweg 56  
1332 ED Almere  
The Netherlands  
Tel: 31-36-5492950  
FAX: 31-36-5492974

**Cascade (UK) Ltd.**  
15, Orgreave Crescent  
Dore House Industrial Estate  
Handsworth  
Sheffield S13 9NQ  
England  
Tel: 742-697524  
FAX: 742-695121

**Cascade Scandinavia  
Hydraulik A.B.**  
Muskötgatan 19, E8-9  
S25466 Helsingborg  
Sweden  
Tel: 42-151135  
FAX: 42-152997

**Cascade Norway**  
Østerliveien 37A  
1153 Oslo  
Norway  
Tel: 47-22-743160  
FAX: 47-22-743157

**Cascade France S.A.R.L.**  
11, Rue Jean Charcot  
Zone Industrielle Sud or  
B.P. 22  
91421 Morangis Cedex  
France  
Tel: 1- 64547501  
FAX: 1-9790584

**Cascade Hispania S.A.**  
Avenida De La Fabregada, 7  
Hospitalet De Llobregat  
Barcelona  
Spain  
Tel: 3-335-5158  
FAX: 3-335-4756

**Cascade Japan Ltd.**  
5-5-41,  
Torikai Kami  
Settsu, Osaka  
Japan, 566  
Tel: 81-726-53-3490  
FAX: 81-726-53-3497

**Cascade Korea**  
Room 508, Pum Yang Bldg.  
750-14, Bang Bac-Dong  
Se-Cho Ku, Seoul  
Korea  
Tel: 2599-7131 ext. 512  
FAX: 2533-8089

**HYCO-Cascade Pty. Ltd.**  
1445 Ipswich Road  
Rocklea,  
Queensland 4107  
Australia  
Tel: 3-274-2722  
FAX: 3-274-3456

**HYCO-Cascade (NZ) Ltd.**  
15 Ra Ora Drive, East Tamaki  
P.O. Box 38-440  
Howick, Auckland  
New Zealand  
Tel: 9-273-9136  
FAX: 9-273-9137

**Cascade (Africa) Pty. Ltd.**  
P.O. Box 625, Isando 1600  
60A Steel Road  
Sparton, Kempton Park  
South Africa  
Tel: 975-9240  
FAX: 394-1147

**Cascade-Xiamen**  
Wanshan No. 1 Workshop  
Huli Road  
Xiamen 361006  
Fujian, PRC  
Tel: 592-562-4600  
FAX: 592-562-4671

**Cascade (Singapore)  
Trading Co.**  
Four Seasons Park  
Autumn Block - Apt. 1802  
12 Cascaden Walk  
Singapore  
Tel: 65-834-1935  
FAX: 65-834-1936

