



Parts Manual

Model _____ Push/Pull _____

Catalog Number _____ 45E-PPS-A003 R3 _____

cascade®
corporation

For Technical Assistance call: 800-227-2233, Fax: 888-329-8207

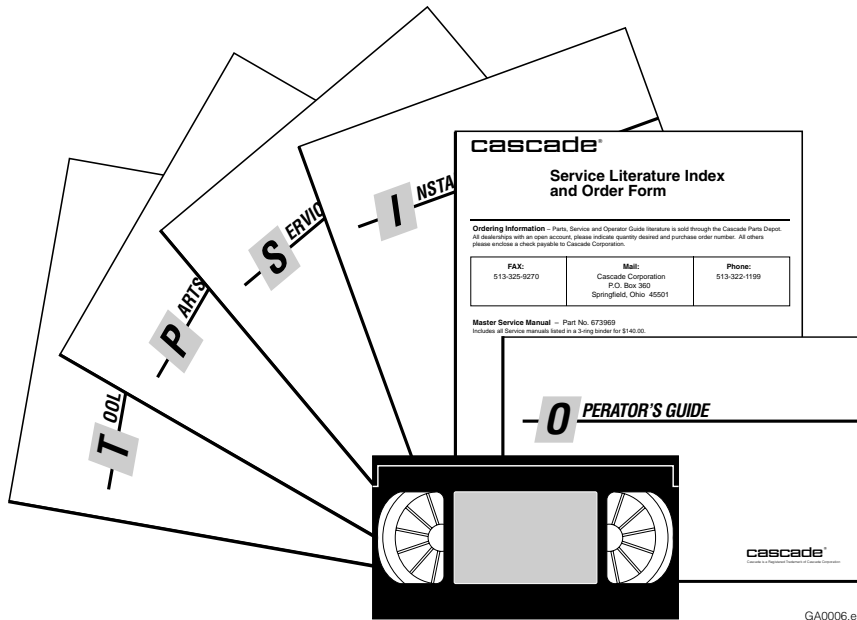
To Order Parts call: 888-227-2233, Fax: 888-329-0234

OR

Write: Cascade Corporation, P.O. Box 20187, Portland, OR 97220

Internet: www.cascorp.com

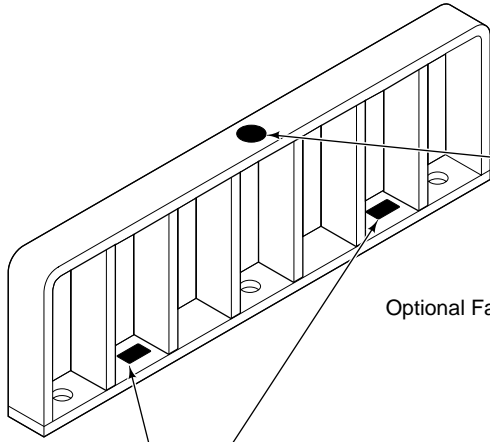
Publications



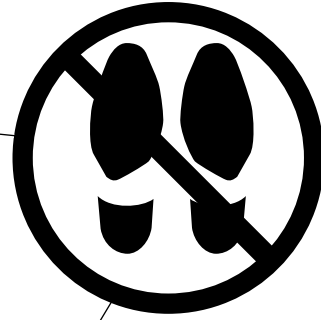
GA0006.eps

PART NO.	DESCRIPTION
	Parts Manual
686455	Service Manual
684945	Operators Guide
685531	Operators Pocket Guide
684944	Installation Instructions
680664	Servicing Cascade Cylinders-VHS
679929	Tool Catalog
673964	Literature Index Order Form

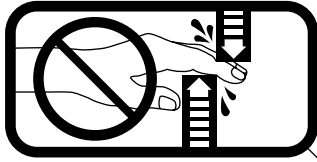
Decals



Optional Faceplate Extension



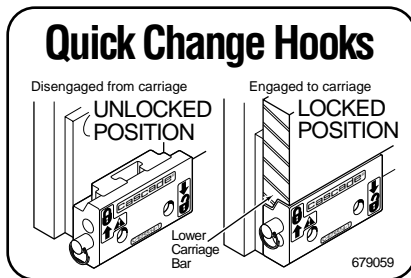
Part No. 679150
(1 Place & 1 optional)



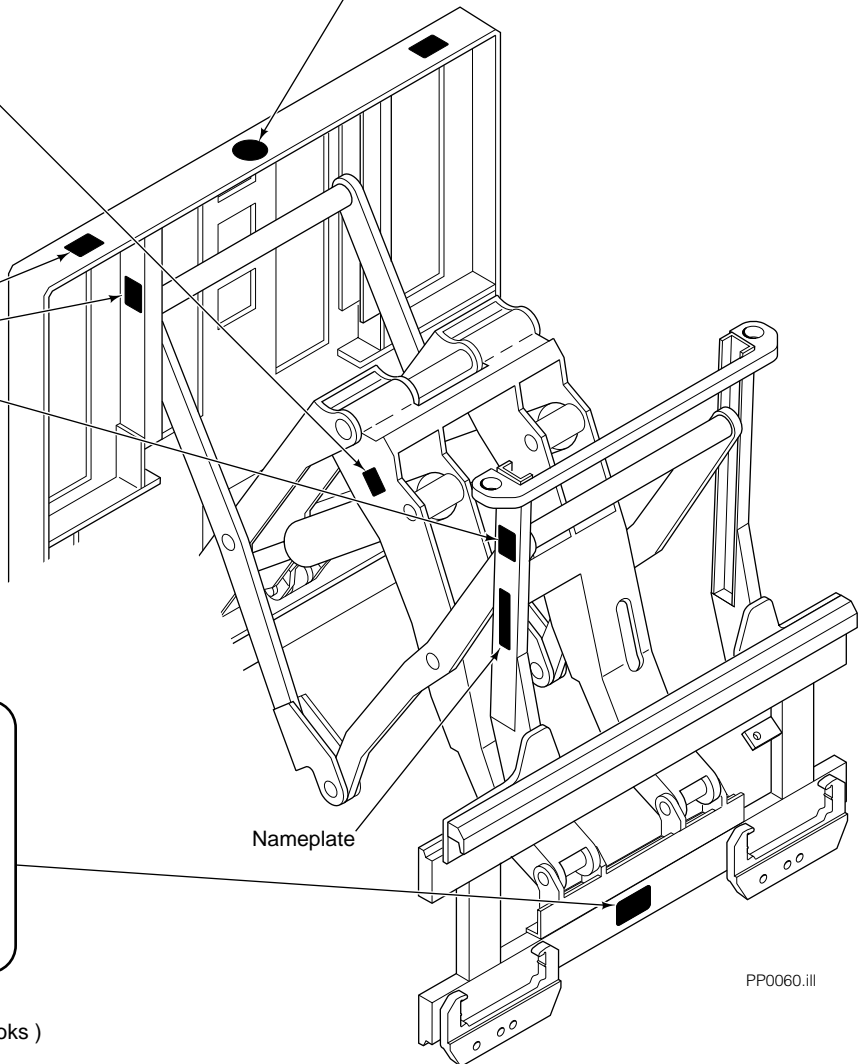
Part No. 665595
(2 Place & 2 optional)



Part No. 656038
(6 Places)



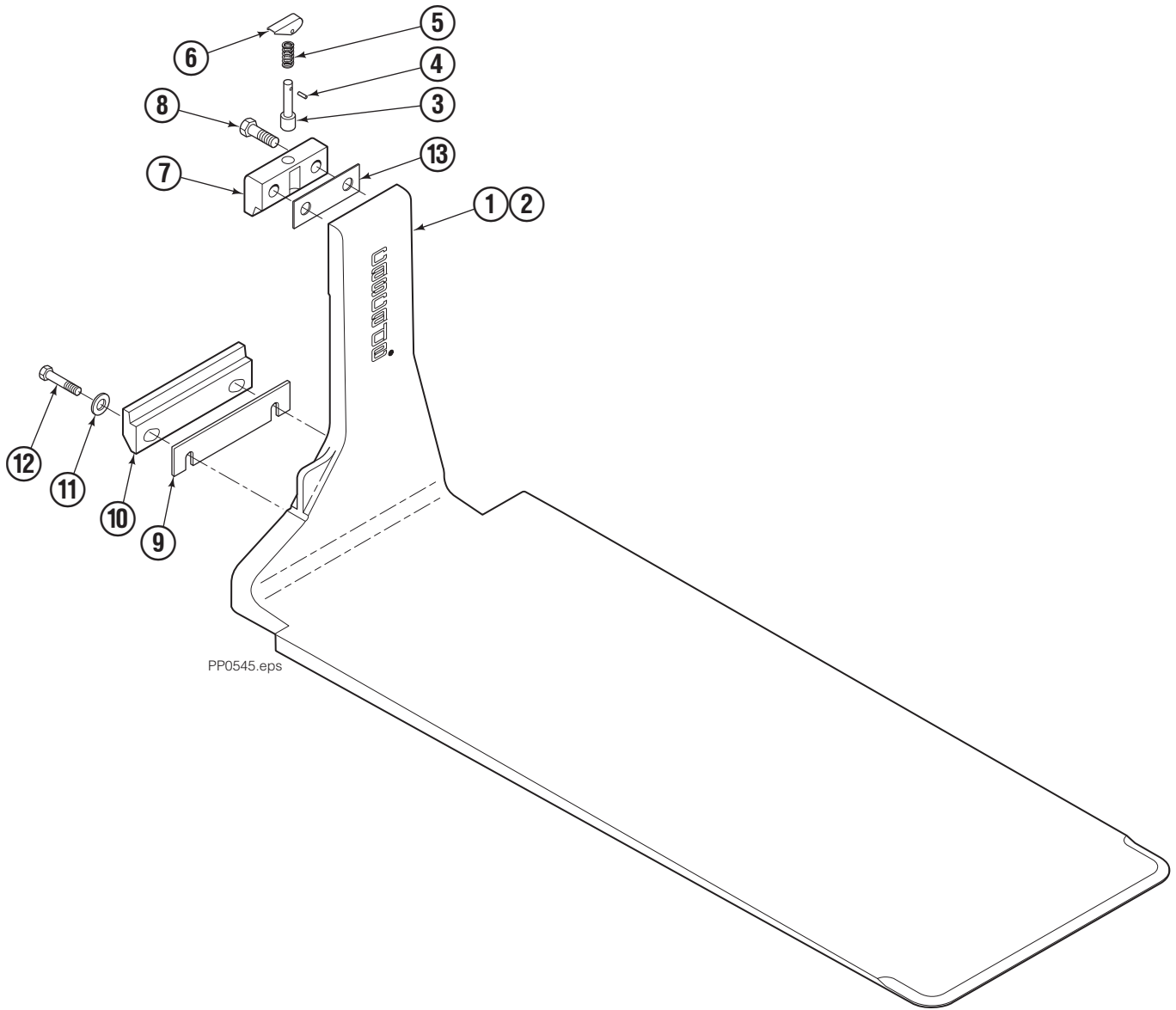
Part No. 679059
(1 Place if equipped with Quick Change Hooks)



Nameplate

PP0060.iii

Platen Group



35E/45E							
REF	QTY	PART NO.	DESCRIPTION	REF	QTY	PART NO.	DESCRIPTION
		685751	Platen Group	7	2	685533	◆ Upper Hook
1	1	685752	Platen - LH	8	4	685677	Capscrew, M16 x 45
2	1	685753	Platen - RH	9	●	682858	Shim (.030)
3	2	622907	◆ Pin	10	2	682851	Lower Hook
4	2	8007	◆ Rivet	11	4	667225	Washer
5	2	622908	◆ Spring	12	4	209016	Capscrew, M16 x 35
6	2	622897	◆ Handle	13	■	688379	Shim (.060)

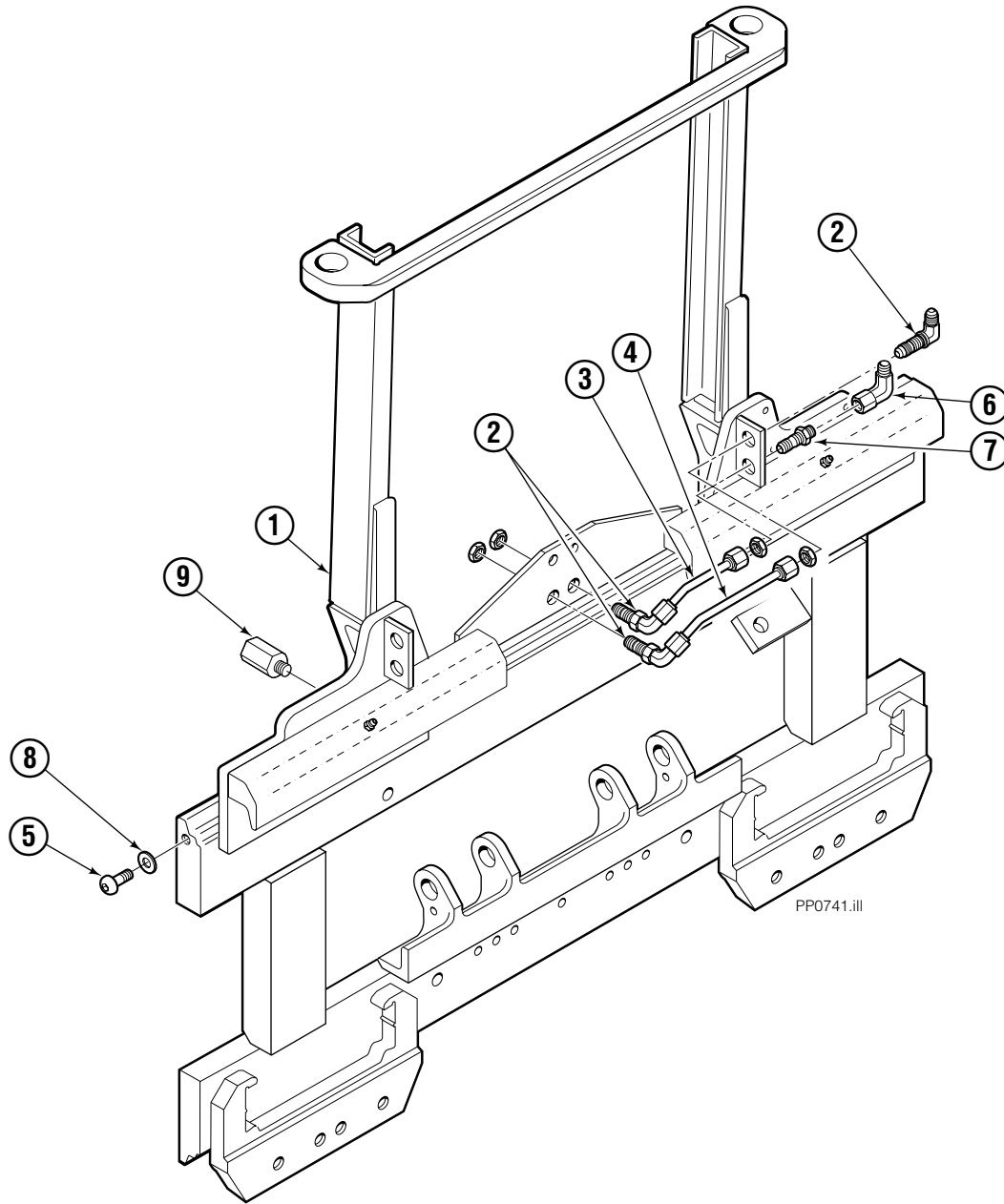
◆ Included in Upper Hook Assembly 688386.

Reference: S-3408, S-3409, S-3410.

● As required - 2 maximum.

■ As required for proper adjustment.

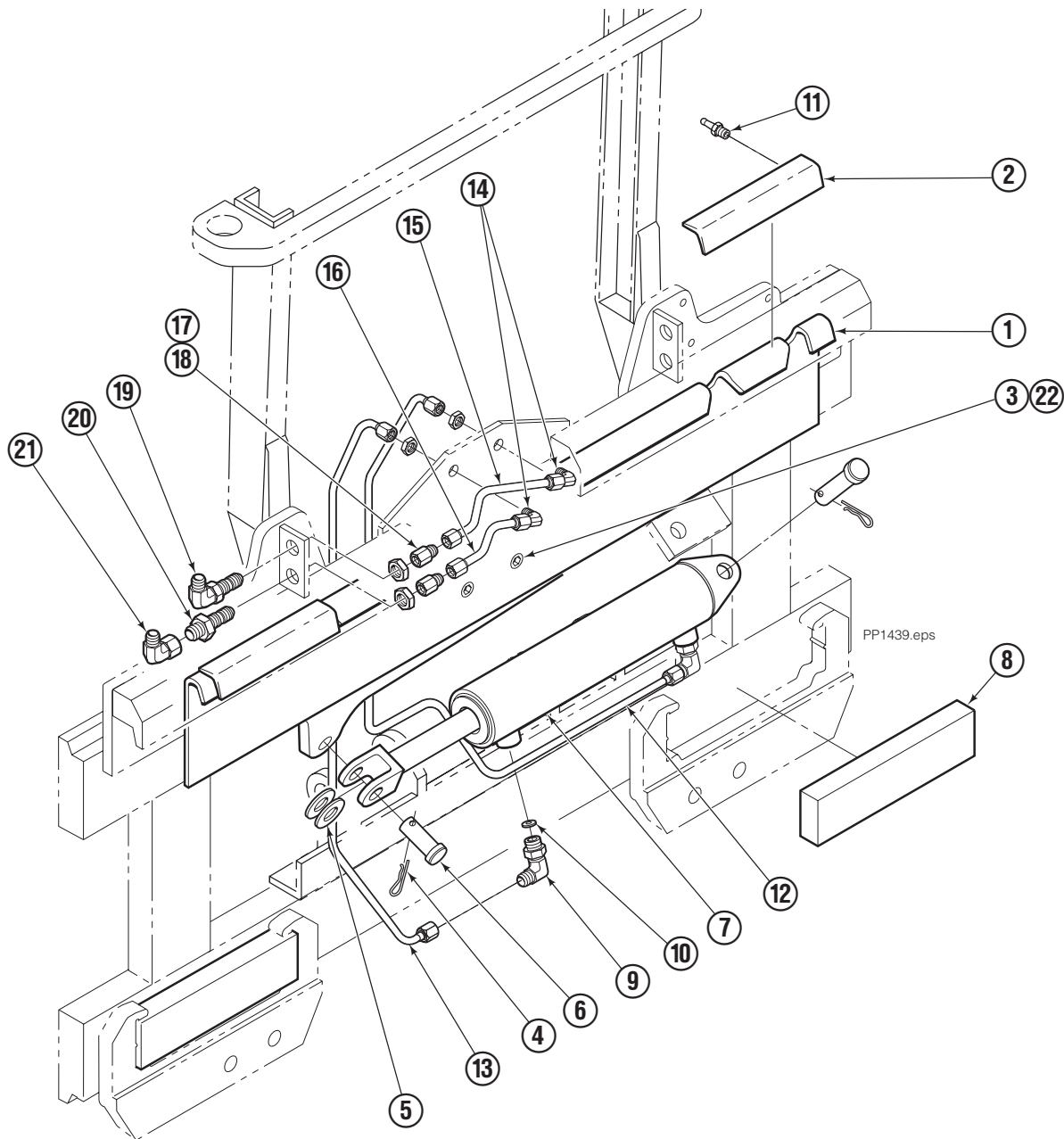
Frame Group ITA II



35E/45E

REF	QTY	PART NO.	DESCRIPTION
		204649	Frame Group
1	1	204651	Frame
2	3	2453	Fitting, 6-6
3	1	686509	Tube
4	1	686510	Tube
5	2	683142	Capscrew, M12 x 20
6	1	2680	Fitting, 6-6
7	1	2375	Fitting, 6-6
8	2	683001	Washer
9	4	682850	Stop

S/S Mounting Group ITA II



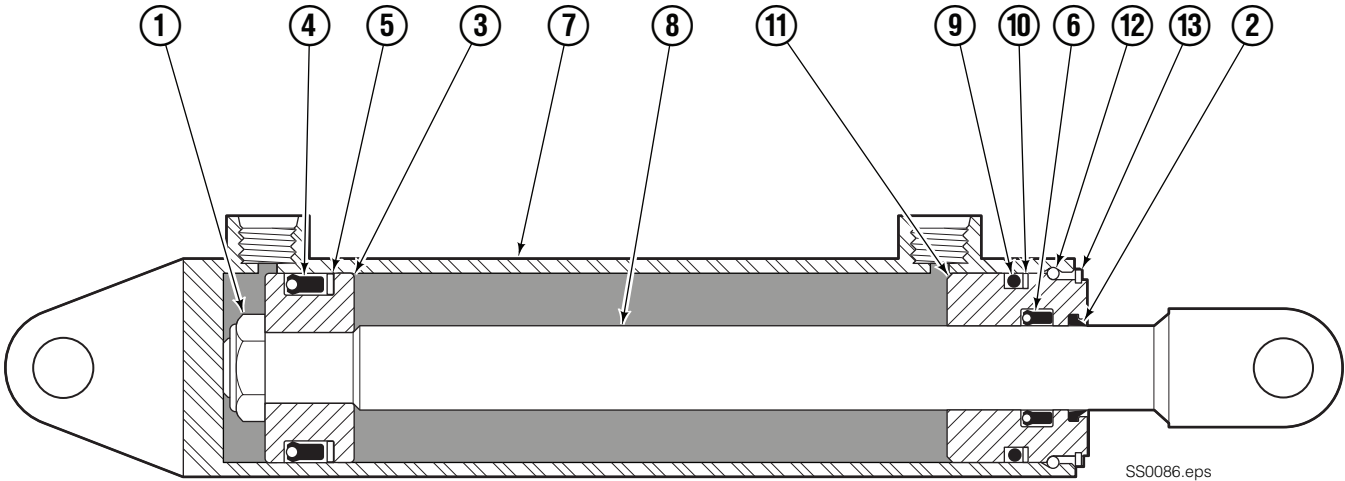
35E/45E							
REF	QTY	PART NO.	DESCRIPTION	REF	QTY	PART NO.	DESCRIPTION
		682833	Mounting Group - R7	12	1	211757	Tube
1	1	682554	Anchor Bracket	13	1	211758	Tube
2	2	671165	■ Bearing Segment	14	2	2451	Fitting, 4-4
3	2	768759	Setscrew, M12 x 35	15	1	686515	Tube
4	2	6517	Cotter Pin	16	1	686516	Tube
5	2	6234	Washer	17	2	2669	Fitting, 4-6
6	2	214036	Clevis Pin	18	2	2617	Fitting, 6-6
7	1	675548	Cylinder ◆	19	1	2453	Fitting, 6-6
8	2	682814	Bearing	20	1	2375	Fitting, 6-6
9	2	666984	Fitting, 4-6	21	1	2680	Fitting, 6-6
10	2	675550	Restrictor Washer	22	2	688387	Jam Nut
11	4	7403	■ Grease Fitting				

◆ See Cylinder page for parts breakdown.

■ Included in Bearing Service Kit 671423.

Reference: SK-5385.

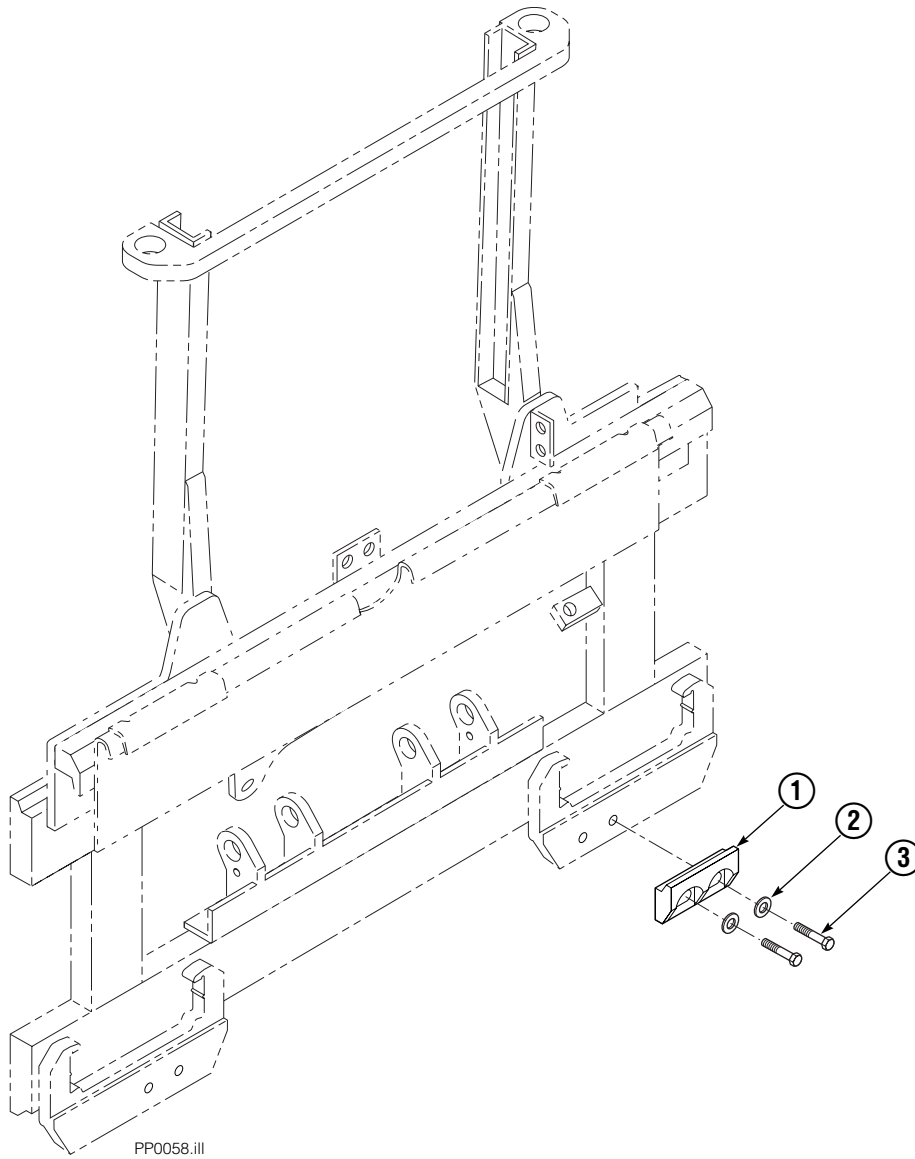
Sideshift Cylinder



REF	QTY	PART NO.	DESCRIPTION
		675548	Cylinder Assembly
1	1	553857	Nut
2	1	636851	■ Wiper
3	1	553501	Piston
4	1	662452	■ Seal
5	1	638247	■ Back-up Ring
6	1	641835	■ Seal
7	1	675549	Shell
8	1	553499	Rod
9	1	2785	■ O-Ring
10	1	615128	■ Back-up Ring
11	1	553500	Retainer
12	1	553856	Retaining Ring
13	1	7202	Retaining Ring
		553861	Service Kit

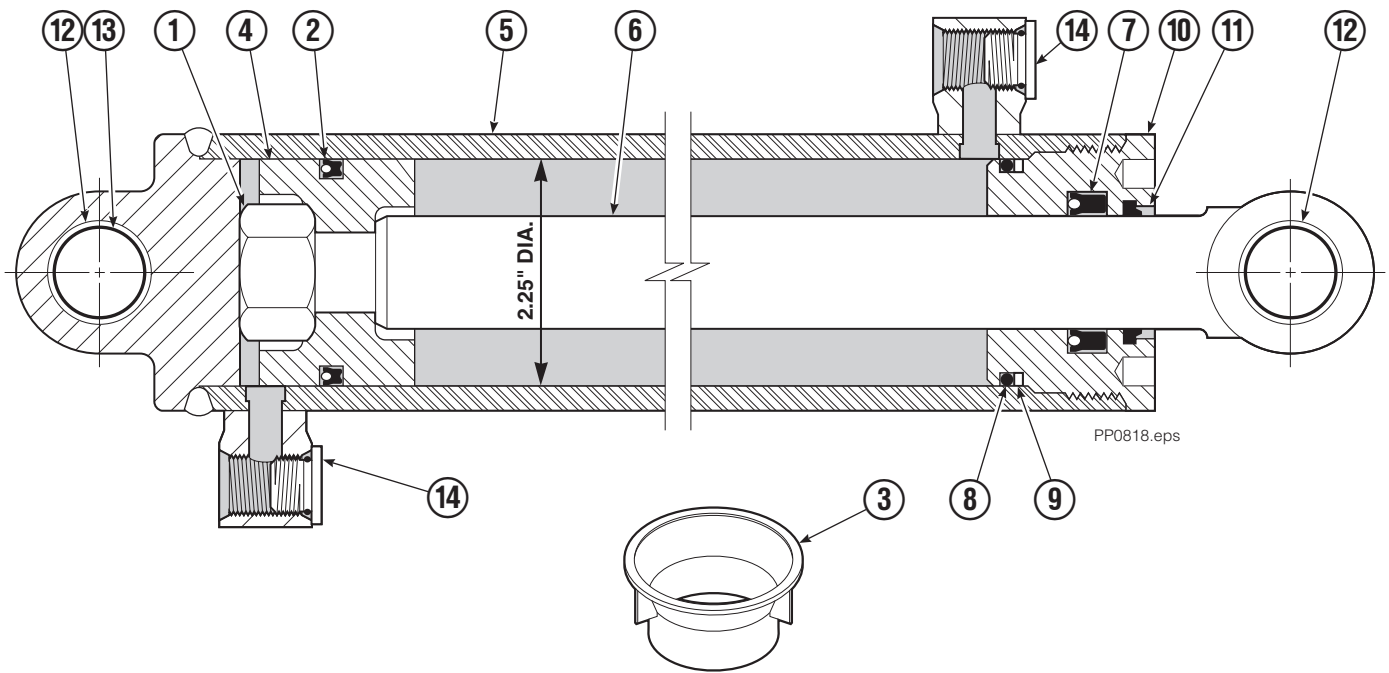
■ Included in Service Kit 553861.

Bolt-On Lower Hook Group ITA II



35E/45E			
REF	QTY	PART NO.	DESCRIPTION
		683178	Lower Hook Group
1	2	679360	Hook
2	4	667225	Washer, .625
3	4	779010	Capscrew, M16 x 35

Cylinder Assembly

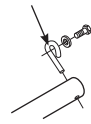


45E			
REF	QTY	PART NO.	DESCRIPTION
		582636	Cylinder Assembly
1	1	678019	Nut
2	1	564159	◆ Seal
3	1	671048	◆ Seal Loader Kit
4	1	564161	Piston
5	1	562717	Shell
6	1	558626	Rod
7	1	662448	◆ Seal
8	1	2787	◆ O-Ring
9	1	615130	◆ Back-Up Ring
10	1	558628	Retainer
11	1	636853	◆ Wiper
12	4	559697	Bearing
13	1	559698	Spacer
14	2	604510	Fitting, 6
		562339	Cylinder Service Kit

◆ Included in Service Kit 562339.

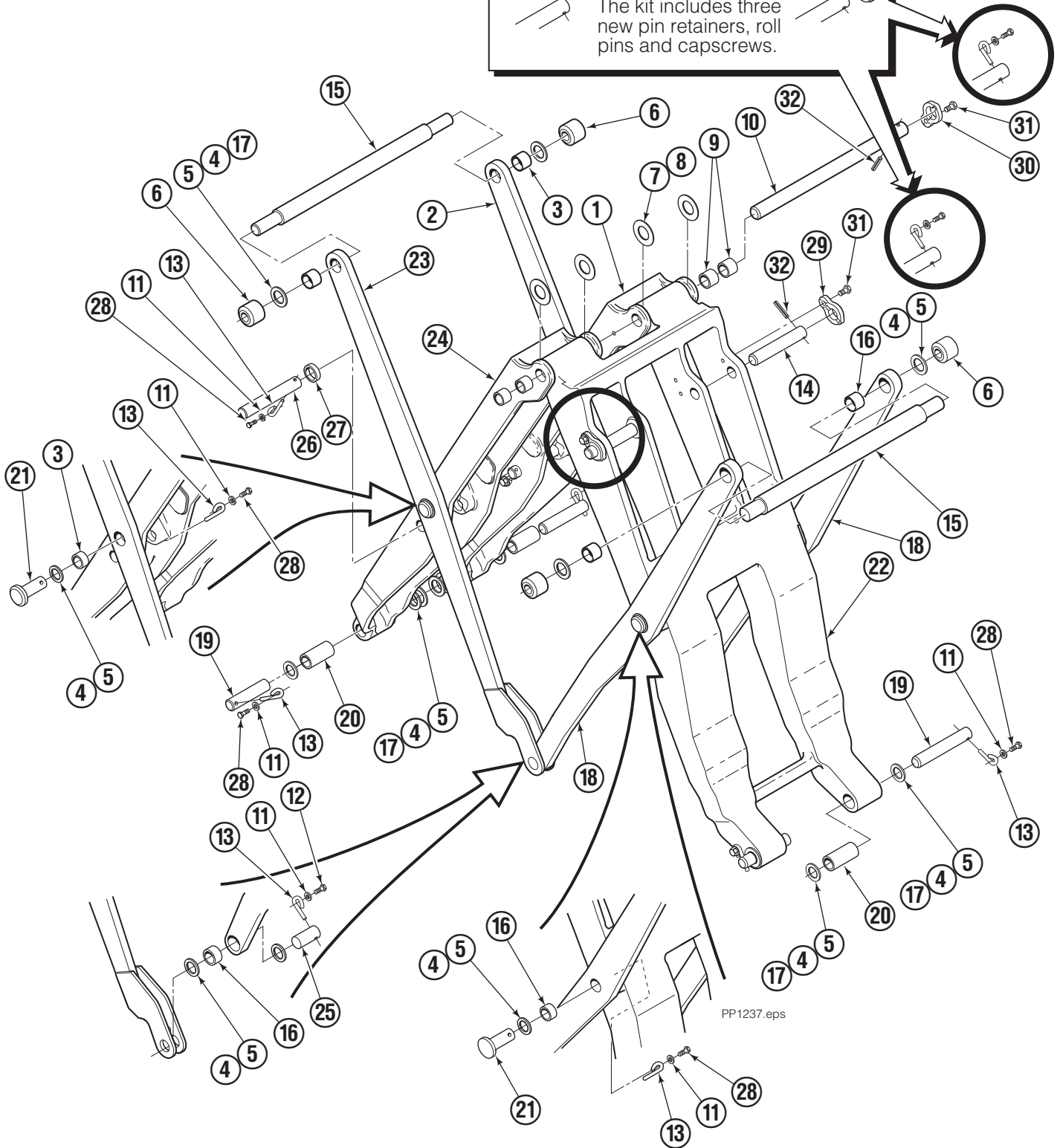
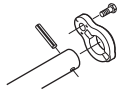
Mechanism Group

Eyepins



If eyepins in noted locations need replacement, order Service Kit 6051665. The kit includes three new pin retainers, roll pins and capscrews.

Service Kit

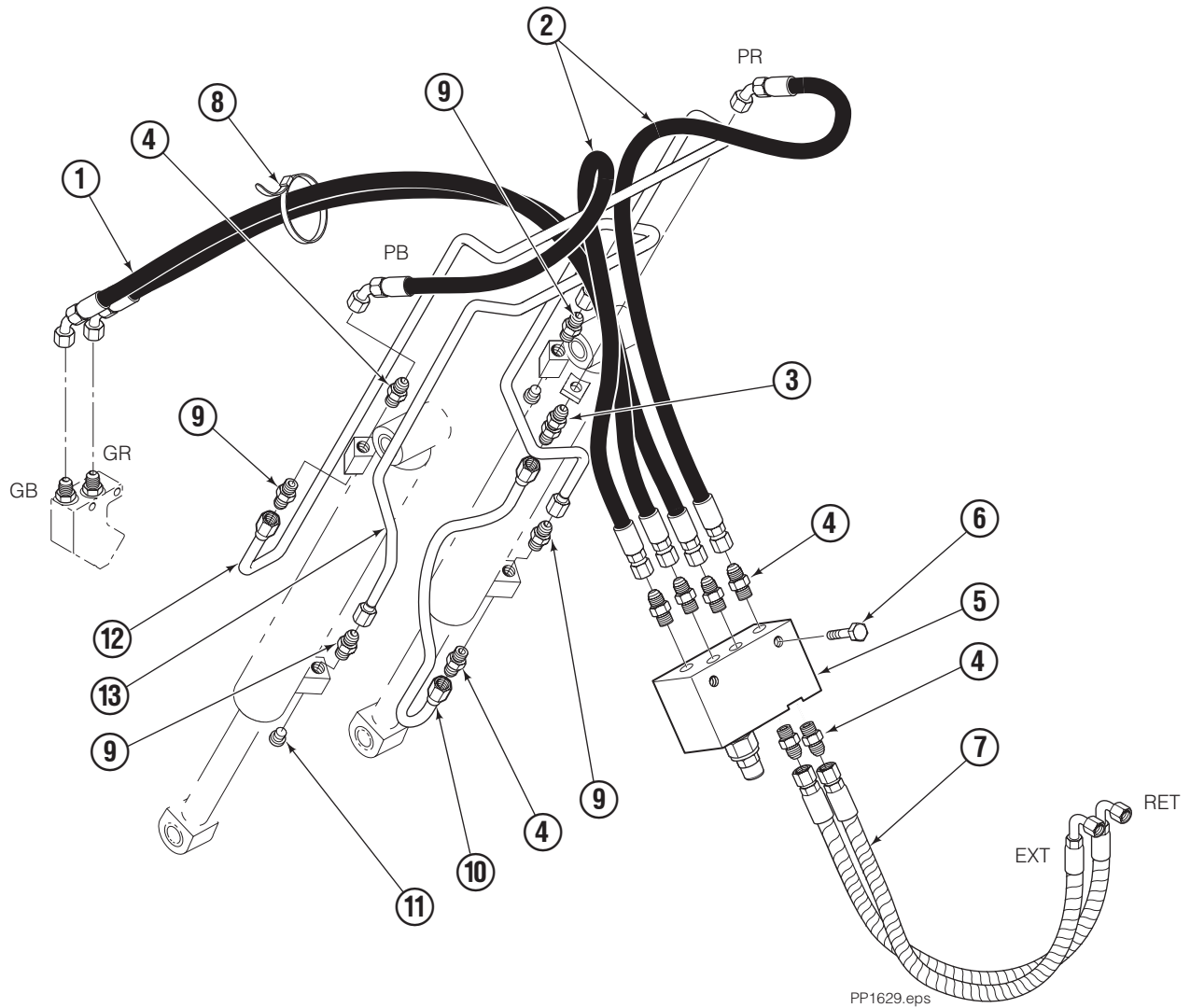


Mechanism Group

35E/45E			
REF	QTY	PART NO.	DESCRIPTION
		204644	Mechanism Group
1	1	204691	Arm – Inner Secondary RH
2	1	204692	Arm – Secondary Outer RH
3	4	683154	Bushing ■
4	●	683161	Shim (.030)
5	●	683162	Shim (.060)
6	4	205070	Roller
7	●	683163	Shim (.030)
8	●	683164	Shim (.060)
9	4	683155	Bushing ■
10	1	682821	Pin – Primary/Secondary Inner
11	12	6229	Washer
12	2	685661	Capscrew, M8 x 14
13	12	6020429	Eye Pin
14	2	682822	Pin – Head
15	2	205065	Pin
16	6	683153	Bushing ■
17	●	204532	Shim (.12)
18	2	204694	Arm – Outer Primary
19	4	204533	Pin – Frame
20	4	204535	Bushing ■
21	4	204695	Pin – Primary Outer
22	1	204604	Arm – Inner Primary
23	1	204693	Arm – Secondary Outer LH
24	1	204690	Arm – Inner Secondary LH
25	2	204696	Pin – Outer
26	2	682823	Pin – Rod
27	2	683165	Spacer
28	10	767961	Capscrew, M8 x 16
29	2	6045015	Retainer ◆ (or)
	2	6050227	Retainer ◆★
30	1	6047125	Retainer ◆ (or)
	1	6050414	Retainer ◆★
31	3	6047151	Capscrew, M8 x 16 ★
32	3	7913	Roll Pin ★

- Quantity as required.
- Included in Bushing Service Kit 205075.
- ◆ Confirm part number cast on retainer.
- ★ Included in Service Kit 6051665.

Hydraulic Group - ITA Class II

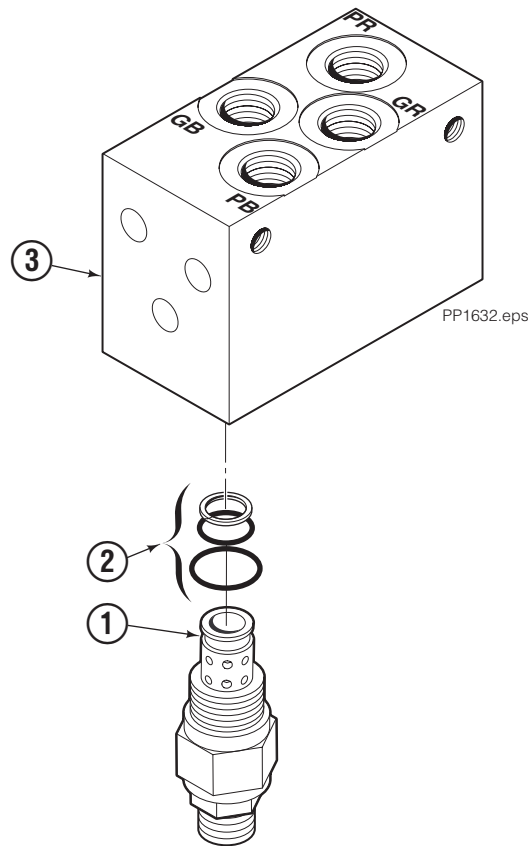


35E/45E							
REF	QTY	PART NO.	DESCRIPTION	REF	QTY	PART NO.	DESCRIPTION
		6086064	Hydraulic Group	7	2	685978	Hose, 19.40 in.
1	1	685831	Hose, Twinline, 39.60 in.	8	2	684956	Cable Tie
2	2	683173	◆ Hose, 15.50 in.	9	4	605235	◆ Fitting, 5-6
3	1	2375	◆ Fitting, 6-6	10	1	200647	◆ Tube
4	2	604511	◆ Fitting, 6-6	11	2	604510	Plug
	6	604511	Fitting, 6-6	12	1	200649	◆ Tube
5	1	6085925	Valve ■	13	1	200648	◆ Tube
6	2	787373	◆ Capscrew, M8 x 25				

■ See Valve Assembly page for parts breakdown.

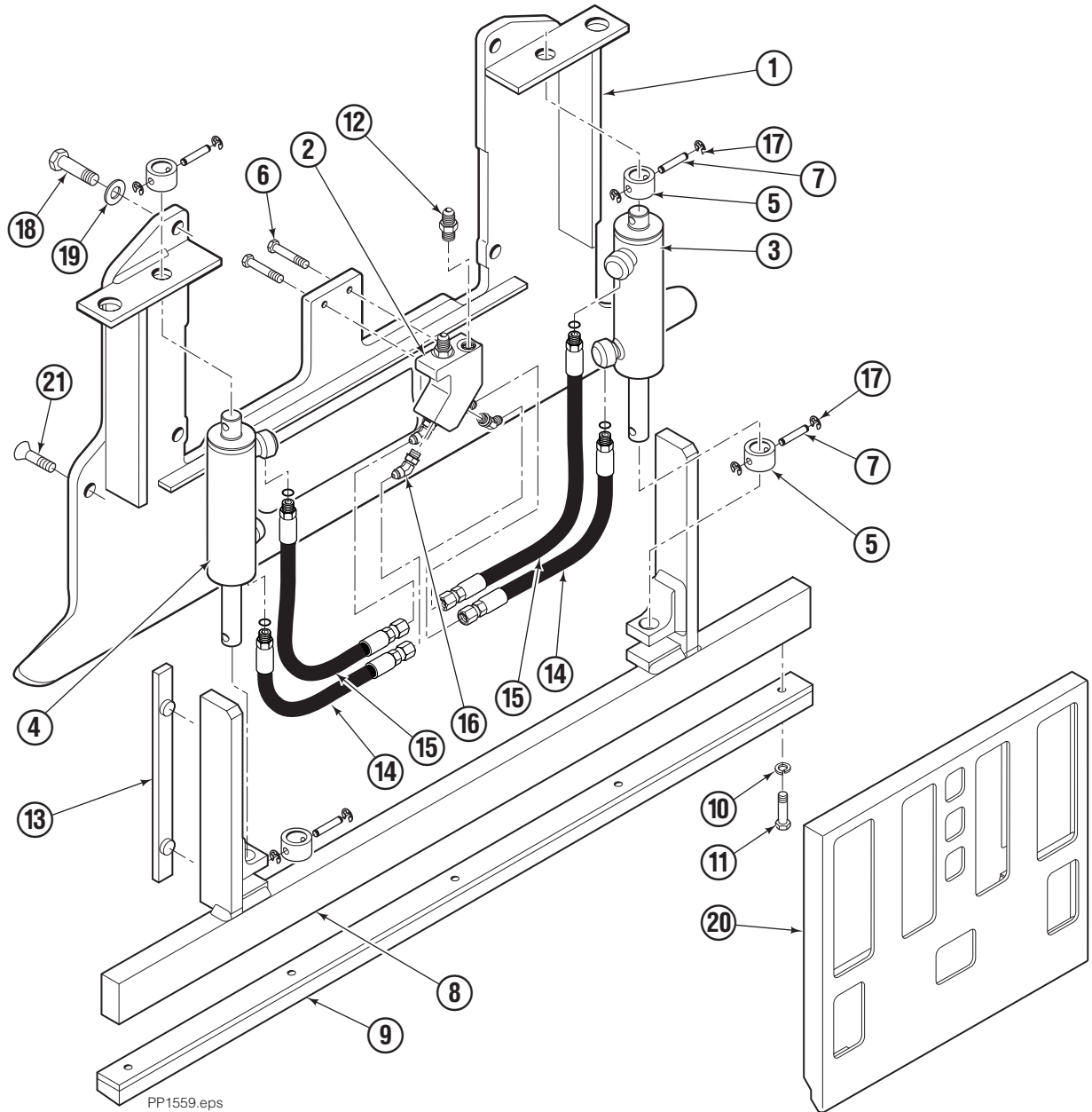
◆ Included in Hydraulic Components Group 200581-R6.
Reference: SK-5385, 5386.

Valve Assembly



REF	QTY	PART NO.	DESCRIPTION
		6085925	Valve Assembly
1	1	6045016	Relief Valve
2	1	682170	Service Kit
3	1	6085927	Valve Body

Faceplate Group



35E/45E

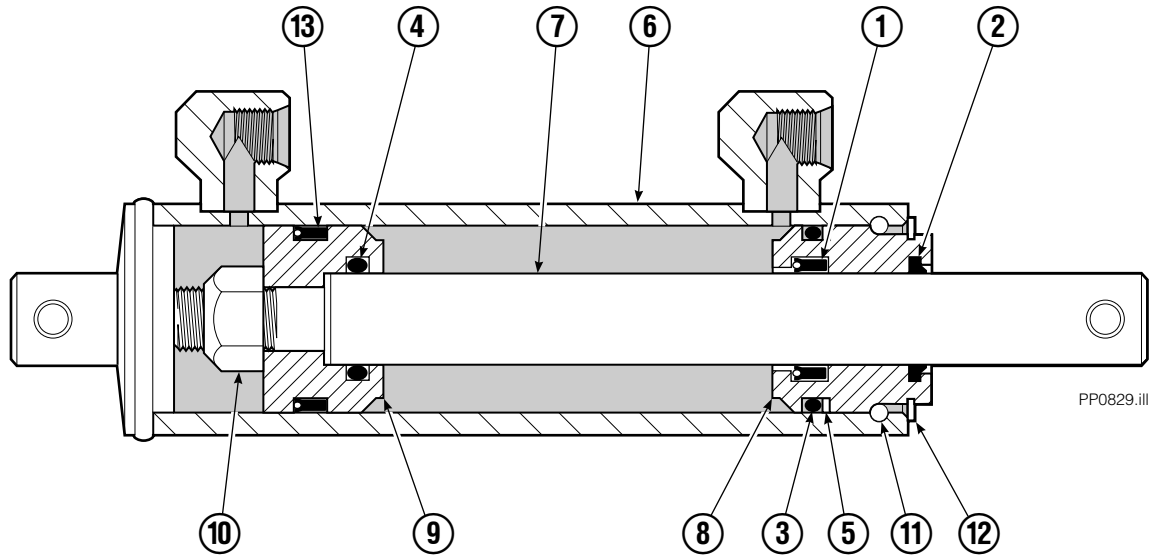
REF	QTY	PART NO.	DESCRIPTION	REF	QTY	PART NO.	DESCRIPTION
		6019140	Faceplate Group (R3)	11	5	787375	Capscrew, M8 x 20
		6020440	Gripper Jaw Assembly (R5) ●	12	2	604511	Fitting, 6-6
1	1	206396	Gripper Jaw	13	2	686573	Bearing
2	1	6002134	Valve	14	2	6002138	Hose, 315 mm
3	1	6020444	Gripper Cylinder, LH ◆	15	2	6002139	Hose, 450 mm
4	1	6020443	Gripper Cylinder, RH ◆	16	4	617918	Fitting, 4-4
5	4	6020462	Collar	17	8	669894	Retaining Ring
6	2	787373	Capscrew, M8 x 20	18	4	225346	Capscrew, M16 x 60
7	4	6014089	Pin	19	4	675620	Washer
8	1	6002135	Gripper Bar	20	1	6002142	Faceplate, 40 x 40 in. ■
9	1	672712	Gripper Pad	21	2	768714	Capscrew, M16 x 60
10	5	680253	Lockwasher, M8				

◆ See Gripper Cylinder page for parts breakdown.

■ Width x height.

● Includes items 1-17.

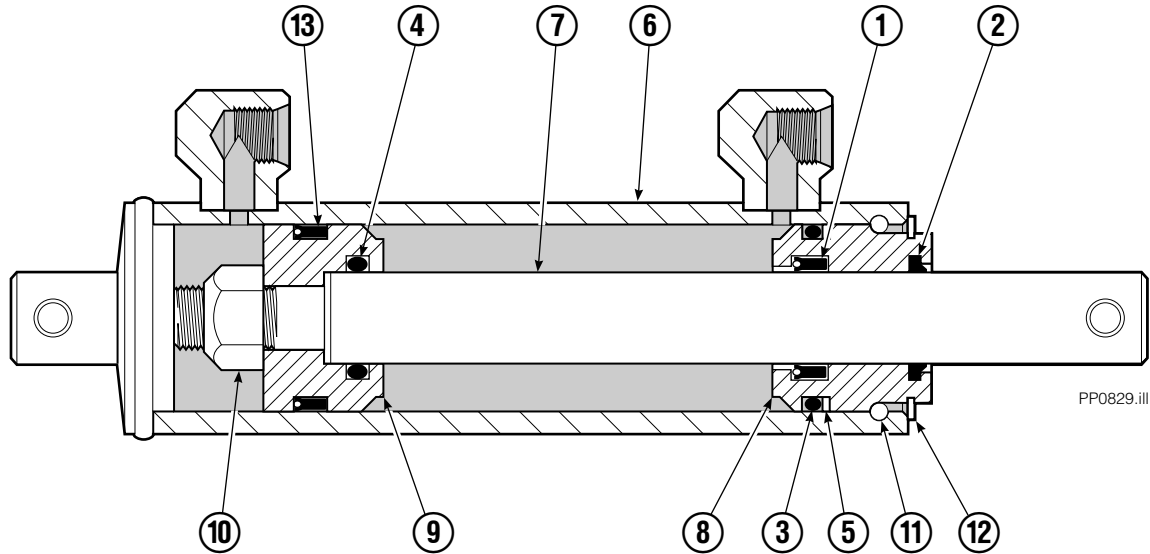
Gripper Cylinder Left Hand



REF	QTY	PART NO.	DESCRIPTION
		6020444	Gripper Cylinder – LH
1	1	646540	▼ Seal
2	1	636850	▼ Wiper
3	1	2718	▼ O-Ring
4	1	2710	▼ O-Ring
5	1	615122	▼ Back-Up Ring
6	1	6020453	Shell
7	1	6020461	Rod
8	1	685664	Retainer
9	1	685665	Piston
10	1	563462	Nut
11	1	563916	Ring
12	1	3137	Ring
13	1	663728	▼ Piston Seal

▼ Included in Service Kit 684827.

Gripper Cylinder Right Hand



REF	QTY	PART NO.	DESCRIPTION
		6020443	Gripper Cylinder – RH
1	1	646540	▼ Seal
2	1	636850	▼ Wiper
3	1	2718	▼ O-Ring
4	1	2710	▼ O-Ring
5	1	615122	▼ Back-Up Ring
6	1	6020452	Shell
7	1	6020461	Rod
8	1	685664	Retainer
9	1	685665	Piston
10	1	563462	Nut
11	1	563916	Ring
12	1	3137	Ring
13	1	663728	▼ Piston Seal

▼ Included in Service Kit 684827.

Do you have questions you need answered right now? Call your nearest Cascade Parts Department. Visit us online at www.cascorp.com

**Cascade Corporation
U.S. Headquarters**
2201 NE 201st
Fairview, OR 97024-9718
Tel: 800-CASCADE (227-2233)
FAX: 888-329-8207

Cascade Canada Inc.
5570 Timberlea Blvd.
Mississauga, Ontario
Canada L4W-4M6
Tel: 905-629-7777
FAX: 905-629-7785

Cascade GmbH
Niederwippekühl 1
58579 Schalksmühle
Germany
Tel: 02355-50900
FAX: 02355-509020

Cascade Finland
A. Petreliuksenkatu 3
01370 Vantaa
Finland
Tel: 09-8361925
FAX: 09-8361935

**Cascade N.V.
Benelux Sales and Service**
Damsluisweg 56
PO Box 3009
1300 El Almere
The Netherlands
Tel: 036-5492950
FAX: 036-5492974

Cascade Kenhar Ltd.
3 Kelbrook Road
Parkhouse Ind. Estate
Openshaw,
Manchester M11 2DD
England
Tel: 0800-243015
FAX: 0161-4384055

**Sales Scotland
Macade Systems Ltd.**
18 Melford Road
Righead Ind. Estate
Bellshill ML4 3LR
Scotland
Tel: 01698-845777
FAX: 01698-845888

Cascade (Africa) Pty. Ltd.
PO Box 625, Isando 1600
60A Steel Road
Sparton, Kempton Park
South Africa
Tel: 27-11-975-9240
FAX: 27-11-394-1147

Cascade Scandinavia AB
Hammarvägen 10
PO Box 124
S-56723 Vaggeryd
Sweden
Tel: 039-336950
FAX: 039-336959

**Cascade France
S.A.R.L. MHP**
1D Rue De Charaintru BP 18,
91360 Epinay-Sur-Orge
France
Tel: 01-6454-7500
FAX: 01-6454-7501

Cascade Hispania S.A.
Carrer 5, Sector C
Zona Franca Duanera
Poligono de la Zona Franca
08040 Barcelona, Spain
Tel: 93-264-07-30
FAX: 93-264-07-31

Cascade Italia S.R.L.
Via Dell'Artigianato 1
37050 Vago di Lavagno (VR)
Italy
Tel: 39-045-8989111
FAX: 39-045-8989160

Movimenta Lda.
Parque Industrial
Vale do Alecrim, Lote 108
2950-403 Palmela
Portugal
Tel: 351-212387340
FAX: 351-212387349

**Sales Switzerland
Fahrzeugbedarf**
8810, Horgen
Switzerland
Tel: 01-7279797
FAX: 01-7279798

Sales Poland
Targowa 35/61
03-728 Warszawa
Tel: 022-619 00 49
FAX: 022-619 00 49
Mobile Tel: 0501-27 29 55

Sales Russia
EMCG Material Handling
Equipment
Moscow
Tel: 095-795-2400
FAX: 095-795-2475
Email: emcg@emcg.ru

Cascade Japan Ltd.
5-5-41,
Torikai Kami
Settsu, Osaka
Japan, 566
Tel: 81-726-53-3490
FAX: 81-726-53-3497

Cascade Korea
121B 9L Namdong Ind.
Complex, 691-8 Gojan-Dong
Namdong-Ku
Inchon, 405-310 Korea
Tel: 82-32-821-2051
FAX: 82-32-821-2055

Cascade Australia
1445 Ipswich Road
Rocklea, QLD 4107
Australia
Tel: 1-800-227-223
FAX: 617-3373-7333

Cascade New Zealand
15 Ra Ora Drive
East Tamaki, Auckland
New Zealand
Tel: 64-9-273-9136
FAX: 64-9-273-9137

Cascade-Xiamen
No. 668 Yangguang Rd.
Xinyang Industrial Zone
Haicang, Xiamen City
Fujian Province
P.R. China 361026
Tel: 86-592-651-2500
FAX: 86-592-651-2571

**Sunstream Industries
Pte Ltd.**
No. 3 Tuas Link 1
2263
Singapore
Tel: 65-6863-3488
FAX: 65-6863-1368

**Cascade do Brasil
Distribuidora de Garras
e Garfos LTDA**
Rua João Guerra, 134
Macuco, Santos - SP
Brasil 11015-130
Tel: 55-13-2105-8800
Fax: 55-13-2105-8899

